

[54] BOTTLE CARRIER

4,498,618 2/1985 Sutherland 229/40
4,533,047 8/1985 Calvert 206/427 X
4,836,375 6/1989 Schuster et al. 229/40 X

[75] Inventor: Richard L. Schuster, Monroe, La.

[73] Assignee: Manville Corporation, Denver, Colo.

Primary Examiner—B. J. Bullock
Assistant Examiner—Prabhakar Deshmukh
Attorney, Agent, or Firm—John D. Lister

[**] Term: 14 Years

[21] Appl. No.: 90,733

[57] CLAIM

[22] Filed: Aug. 28, 1987

The ornamental design for a bottle carrier, as shown and described.

[52] U.S. Cl. D9/418; D9/341

[58] Field of Search D9/341, 344, 414-433, D9/443; 206/145, 614, 140, 141, 158, 427, 429, 590, 820, 431; 228/40, 52 BC, 162, 52 B; 220/1 BC

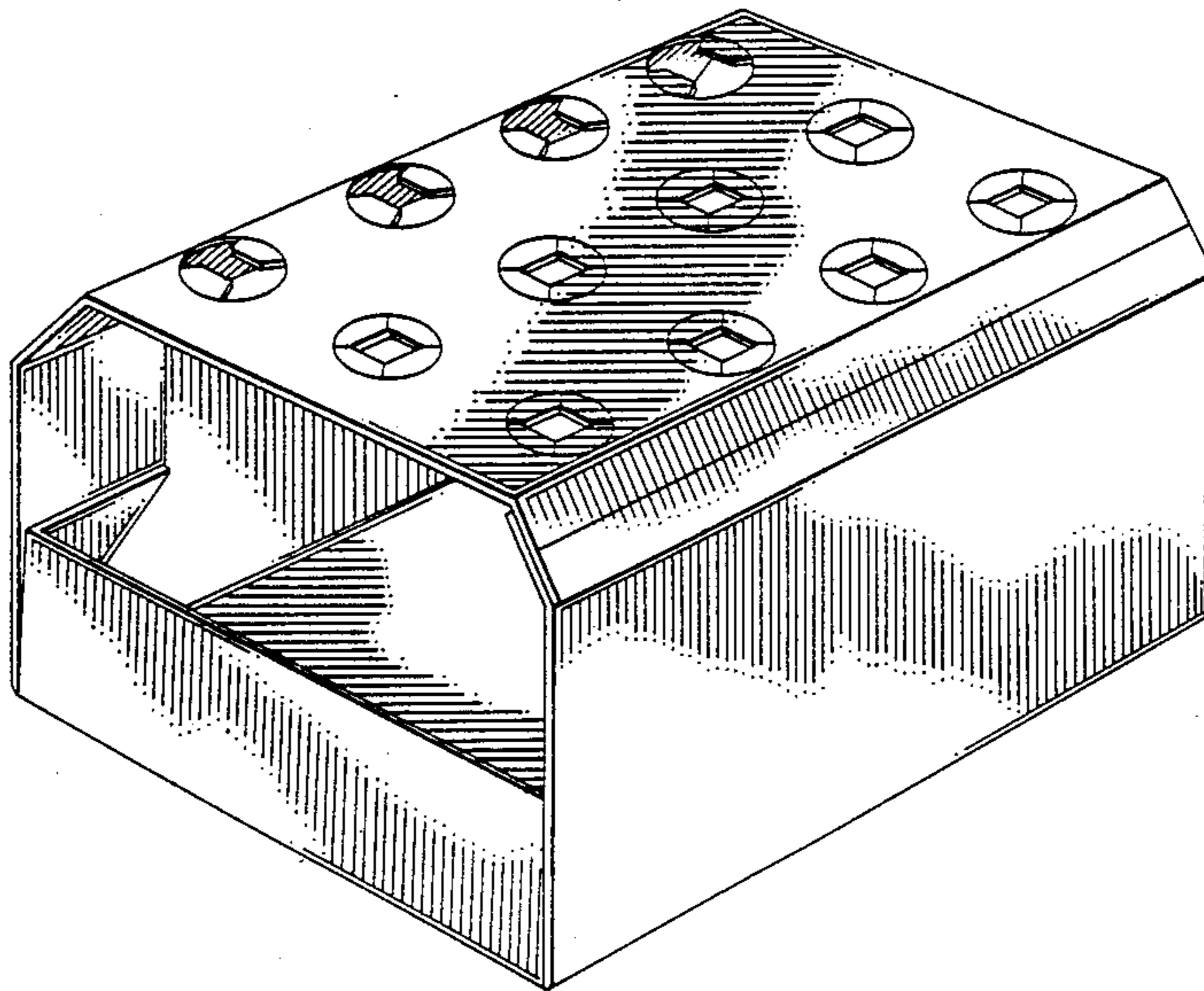
DESCRIPTION

FIG. 1 is a perspective view of a bottle carrier showing my new design;
FIG. 2 is a left side elevation thereof, the right side elevation being a mirror image;
FIG. 3 is a front elevation thereof, the rear side elevation being a mirror image;
FIG. 4 is a top plan view thereof; and,
FIG. 5 is a bottom plan view thereof.
The broken lines showing of bottles in FIGS. 2 and 3 are for illustrative purposes only and forms no part of the claim.

[56] References Cited

U.S. PATENT DOCUMENTS

2,877,894 3/1959 Forrer 229/52 BC
3,282,461 11/1966 Beesley et al. 220/21
3,670,879 6/1972 Williard et al. 206/431
3,776,376 12/1973 Arneson 229/40 X
4,378,879 4/1983 Killy 229/52 BC X
4,471,903 9/1984 Humphries 206/427 X



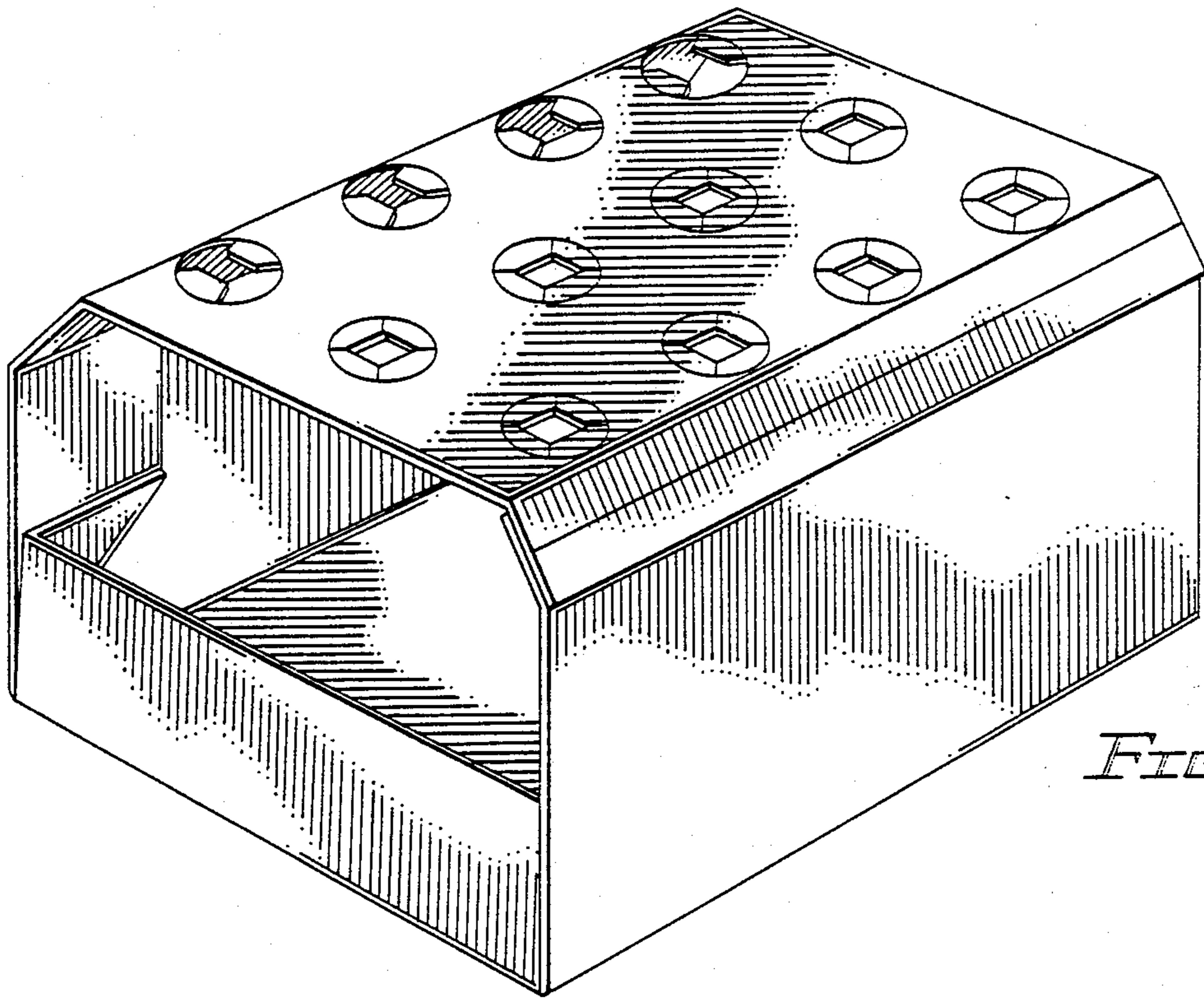


FIG. 1

FIG. 2

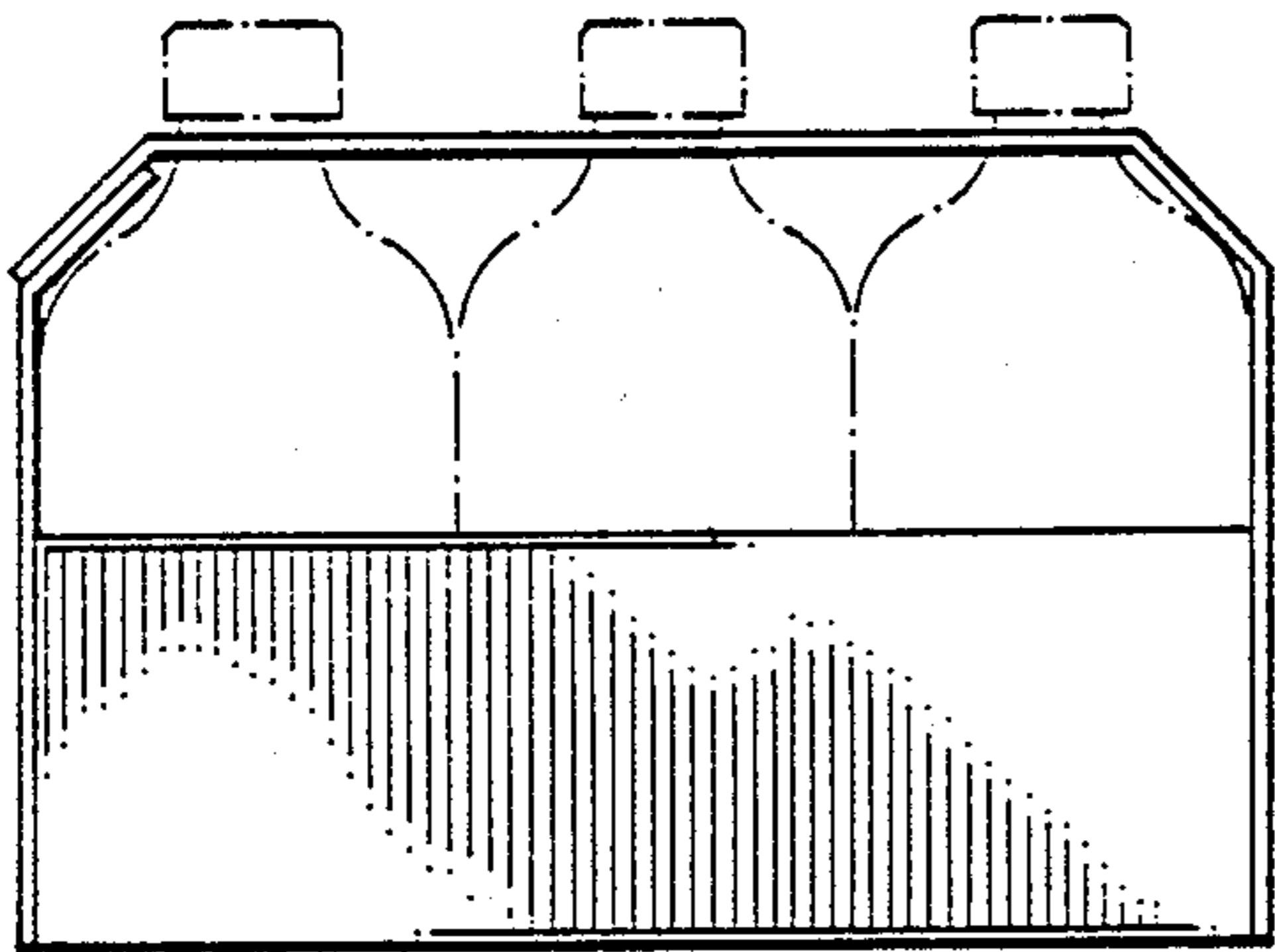


FIG. 3

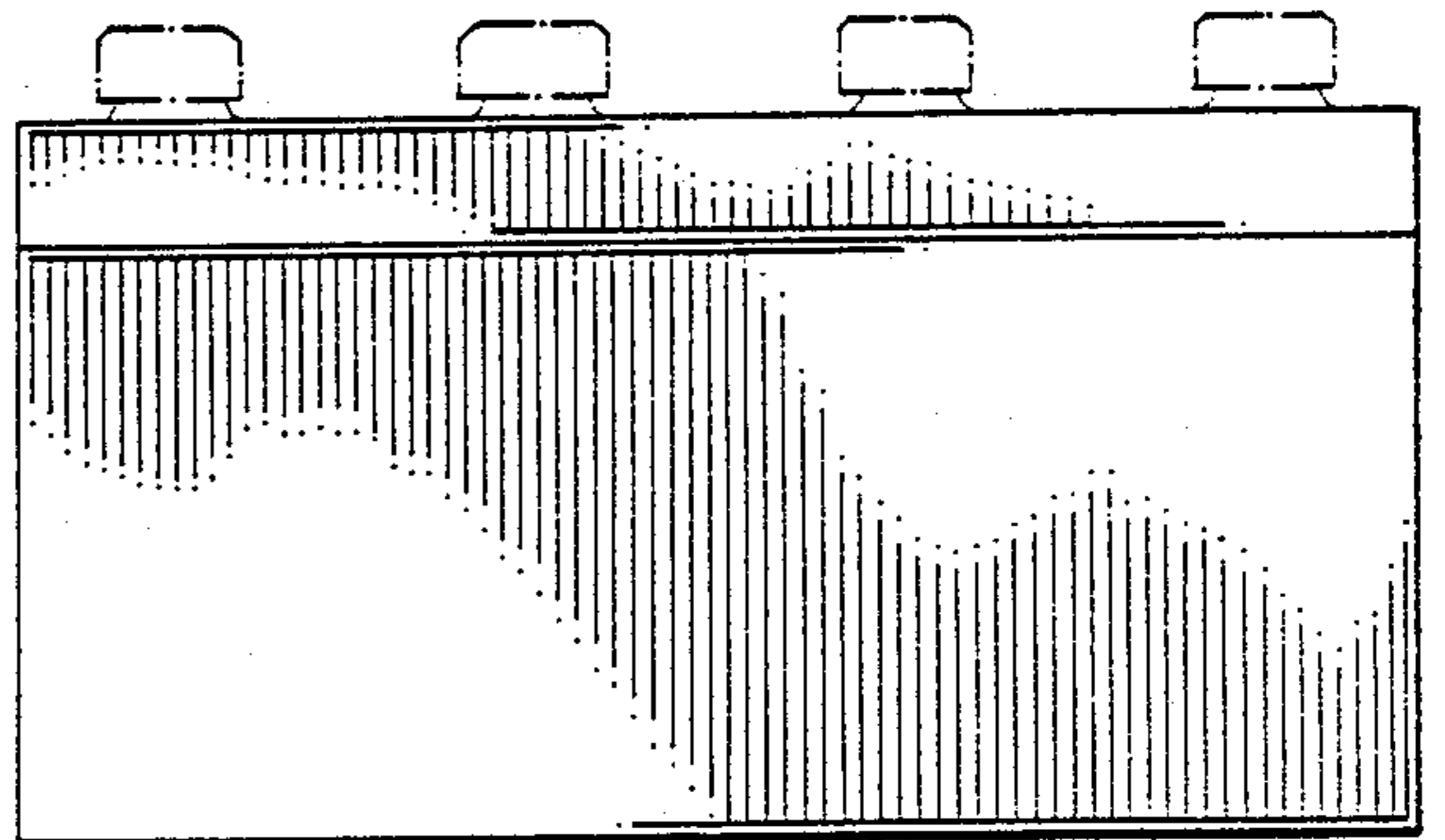


FIG. 4

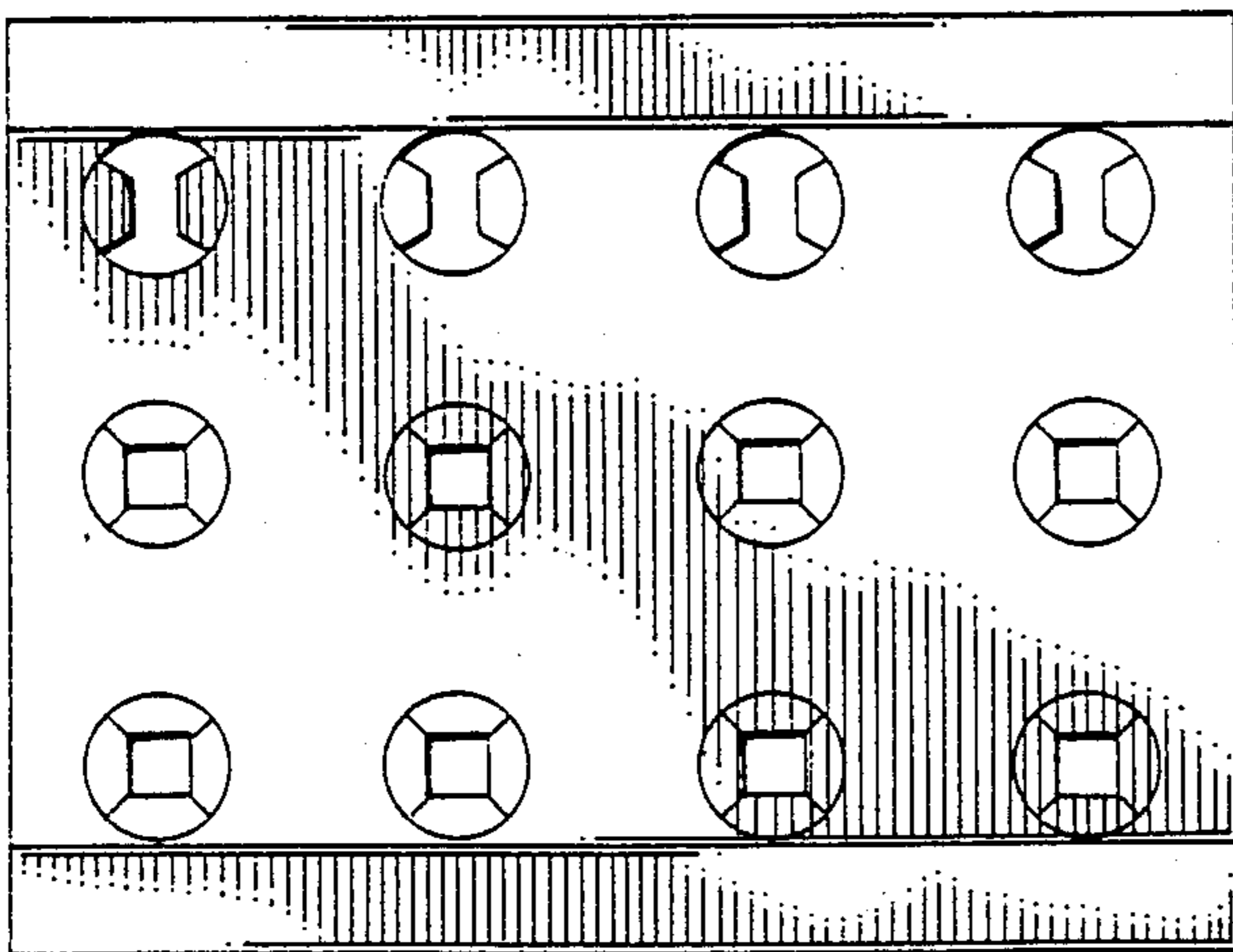


FIG. 5

