

[54] BINGO EQUIPMENT CONTAINER

[75] Inventor: Peter D. Huggins, Ashtabula, Ohio
[73] Assignee: Iten Industries Inc., Ashtabula, Ohio
[**] Term: 14 Years
[21] Appl. No.: 35,082
[22] Filed: Apr. 6, 1987
[52] U.S. Cl. D9/341; D9/424
[58] Field of Search D9/414-433,
D9/341-345; D34/40-46; D21/1, 55, 56, 42,
43; 206/315.1, 563, 564; 220/20, 22, 338

3,909,092 9/1975 Kiernan 220/20 X

Primary Examiner—Bernard Ansher
Assistant Examiner—Prabhakar Deshmukh
Attorney, Agent, or Firm—J. Helen Slough

[57] CLAIM

The ornamental design for a bingo equipment container, as shown and described.

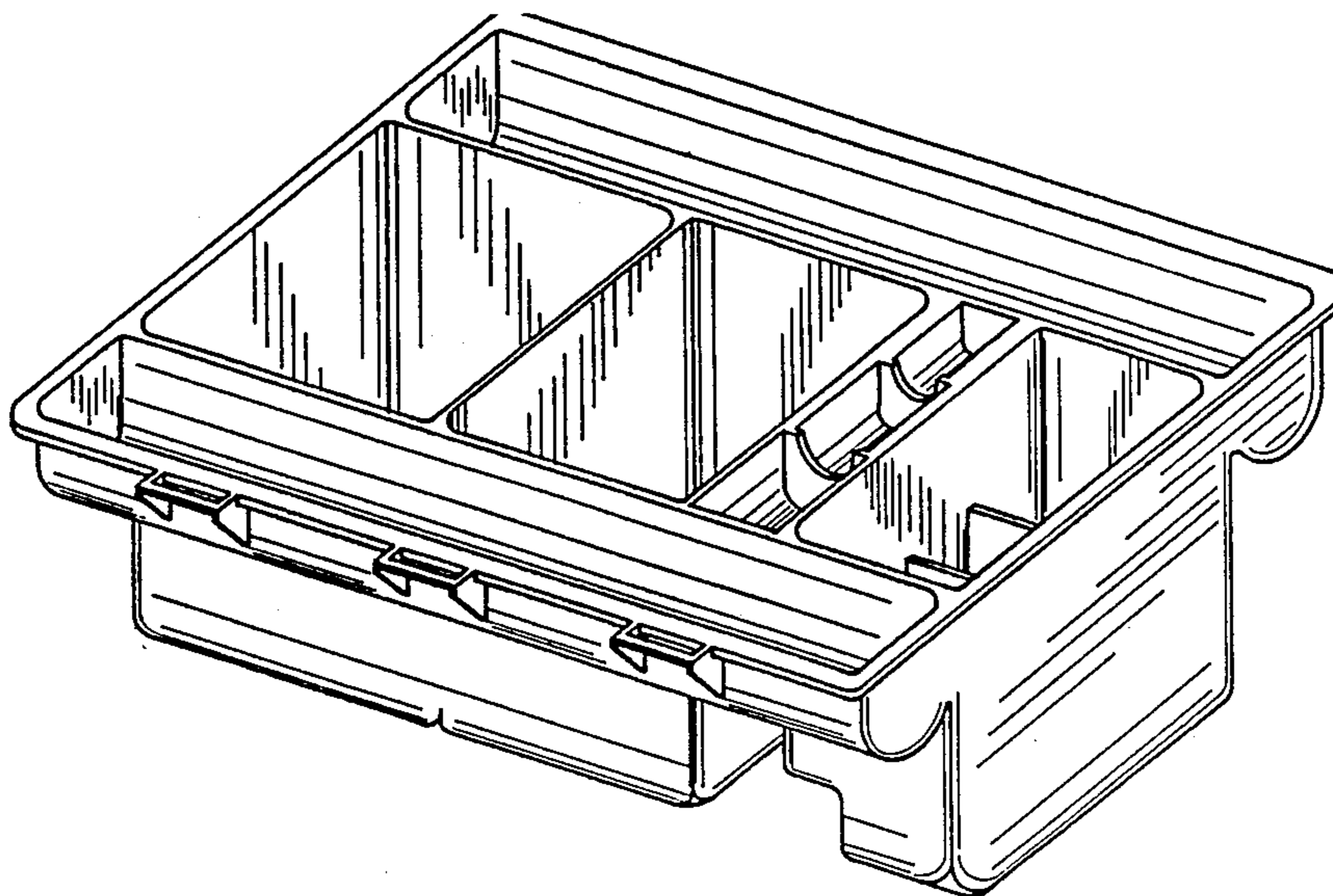
DESCRIPTION

FIG. 1 is a perspective view of a bingo equipment container, in open position, showing my new design; FIG. 2 is a perspective view thereof, with top cover; FIG. 3 is a top plan view of FIG. 1; FIG. 4 is a bottom plan view of FIG. 1; FIG. 5 is a front elevation of FIG. 1; FIG. 6 is a rear side elevation of FIG. 1; FIG. 7 is a right side elevation of FIG. 1, the left side elevation being a mirror image; FIG. 8 is a sectional elevation taken along line 8—8 of FIG. 3; and FIG. 9 is a sectional elevation taken along line 9—9 of FIG. 3.

[56] References Cited

U.S. PATENT DOCUMENTS

D. 89,720	4/1933	Roth	D21/56
D. 104,285	4/1937	Muller	D21/43
D. 141,238	5/1945	Harmon	D21/55
D. 147,524	9/1947	Barlow	D21/55
D. 246,854	1/1978	Baker	D9/341
D. 267,962	2/1983	Oanh	D21/55
D. 272,923	3/1984	Quinn et al.	D21/55
3,871,519	3/1975	Groomes	206/315.1 X



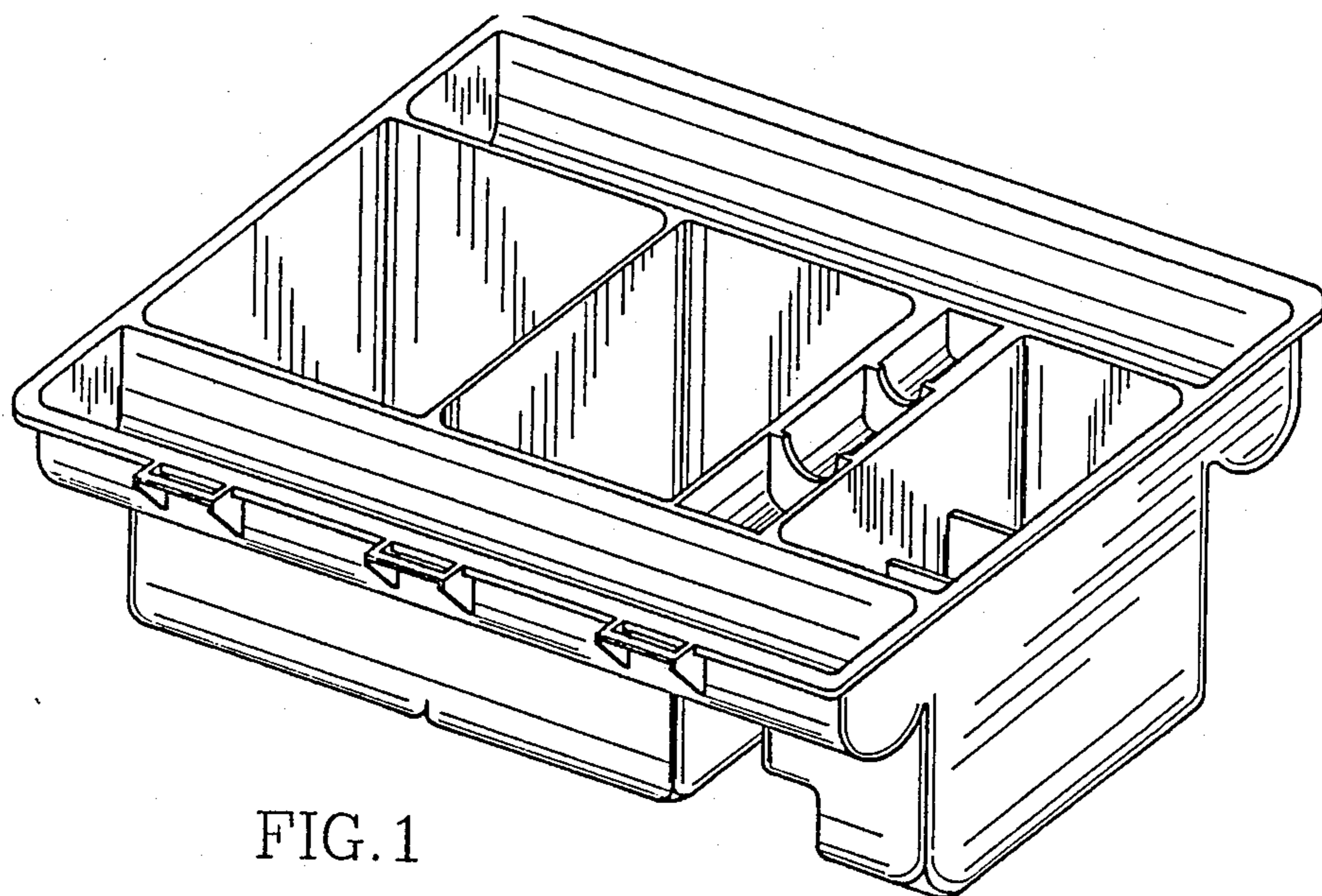


FIG. 1

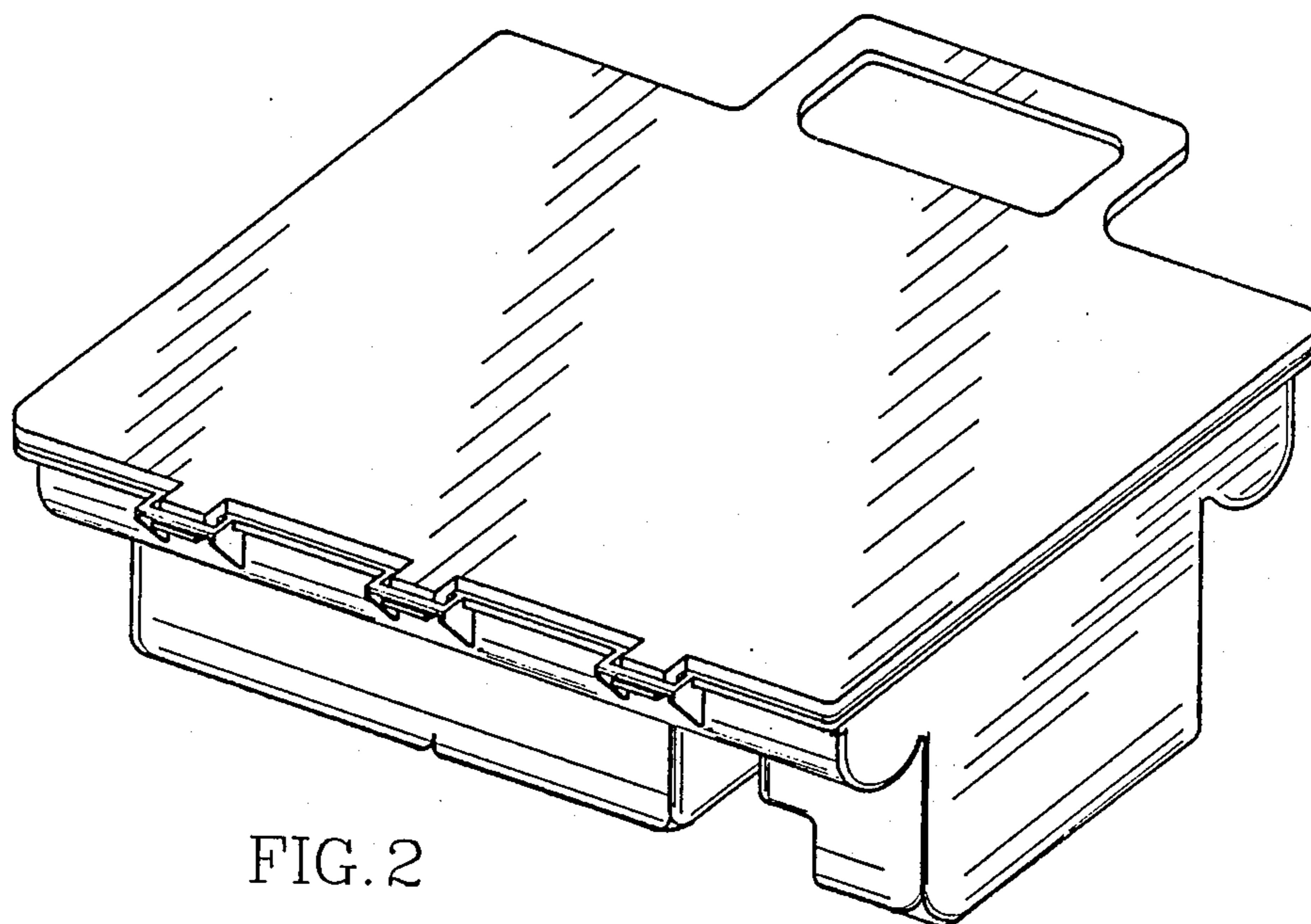
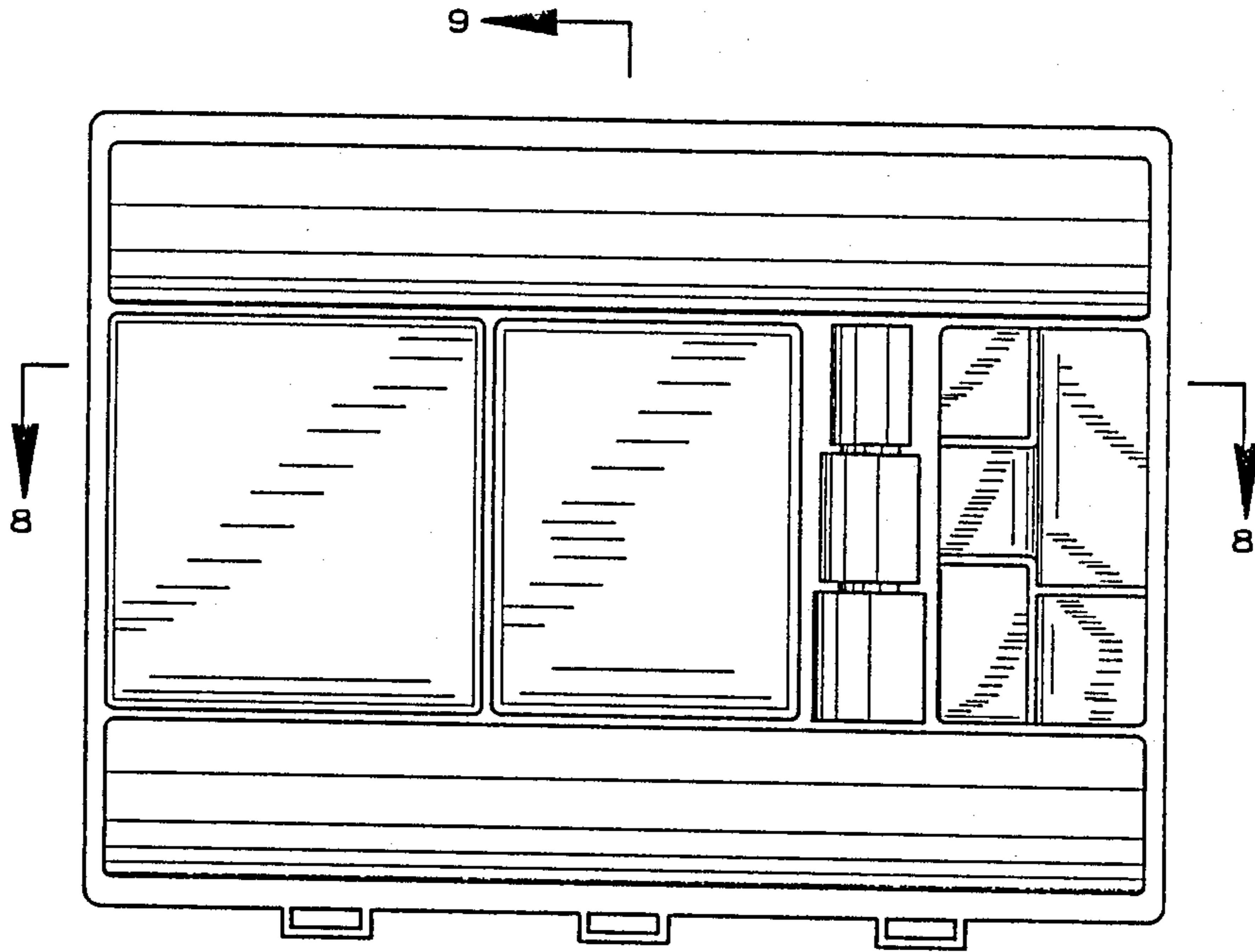


FIG. 2



9 ← FIG. 3

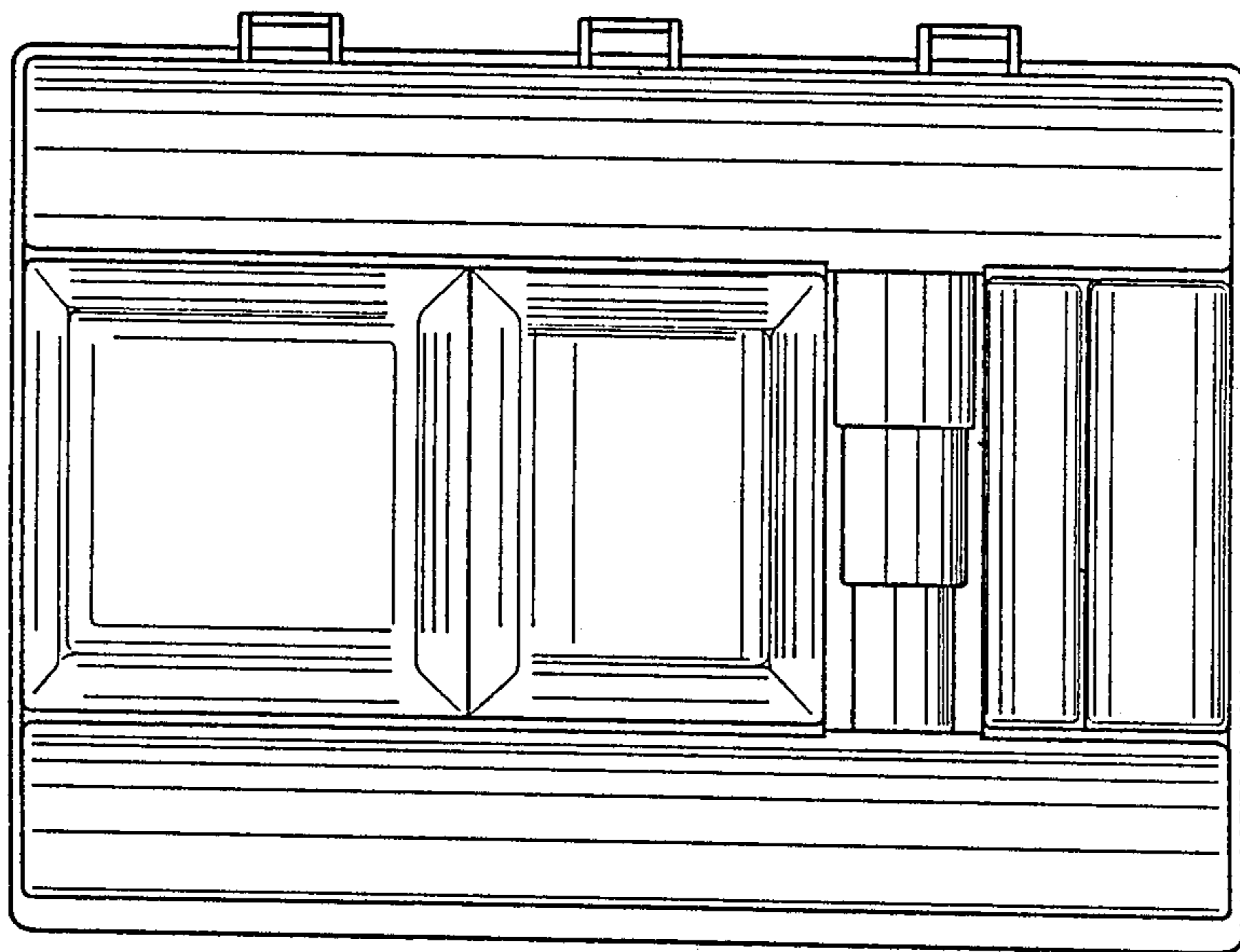


FIG. 4

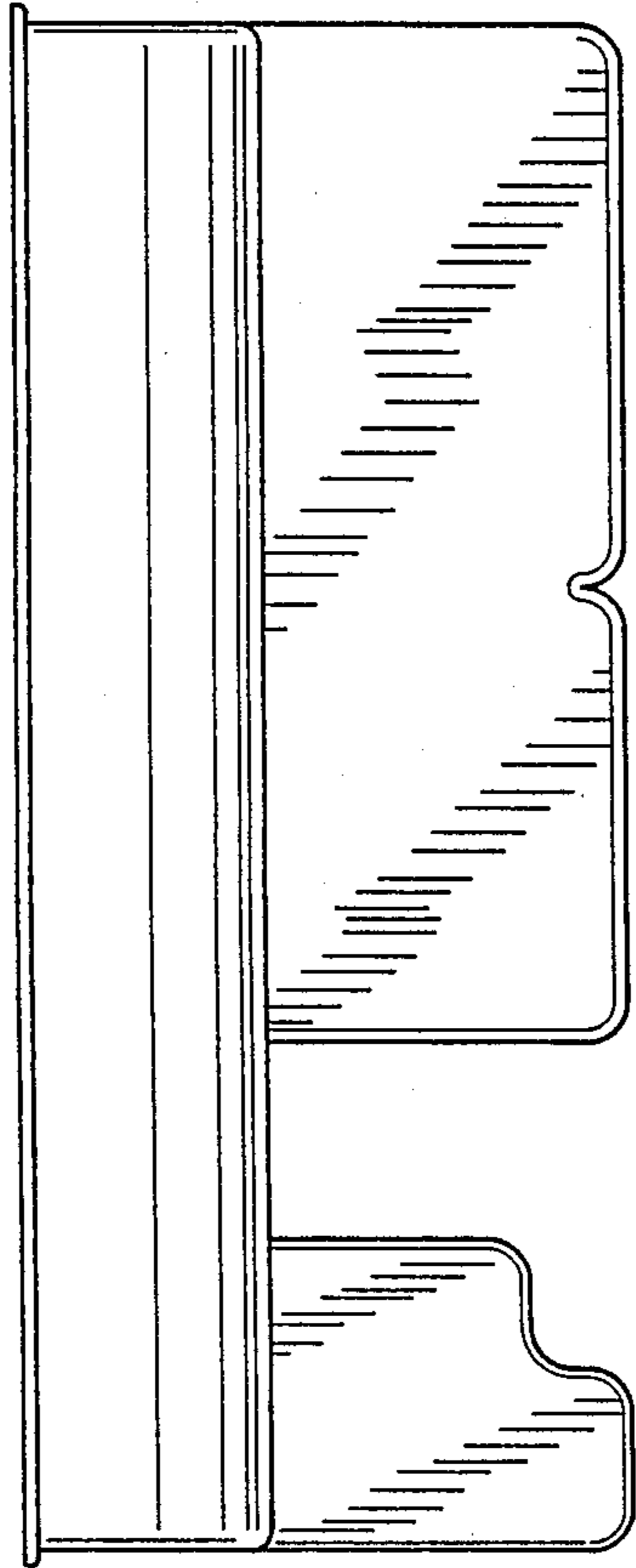


FIG. 5

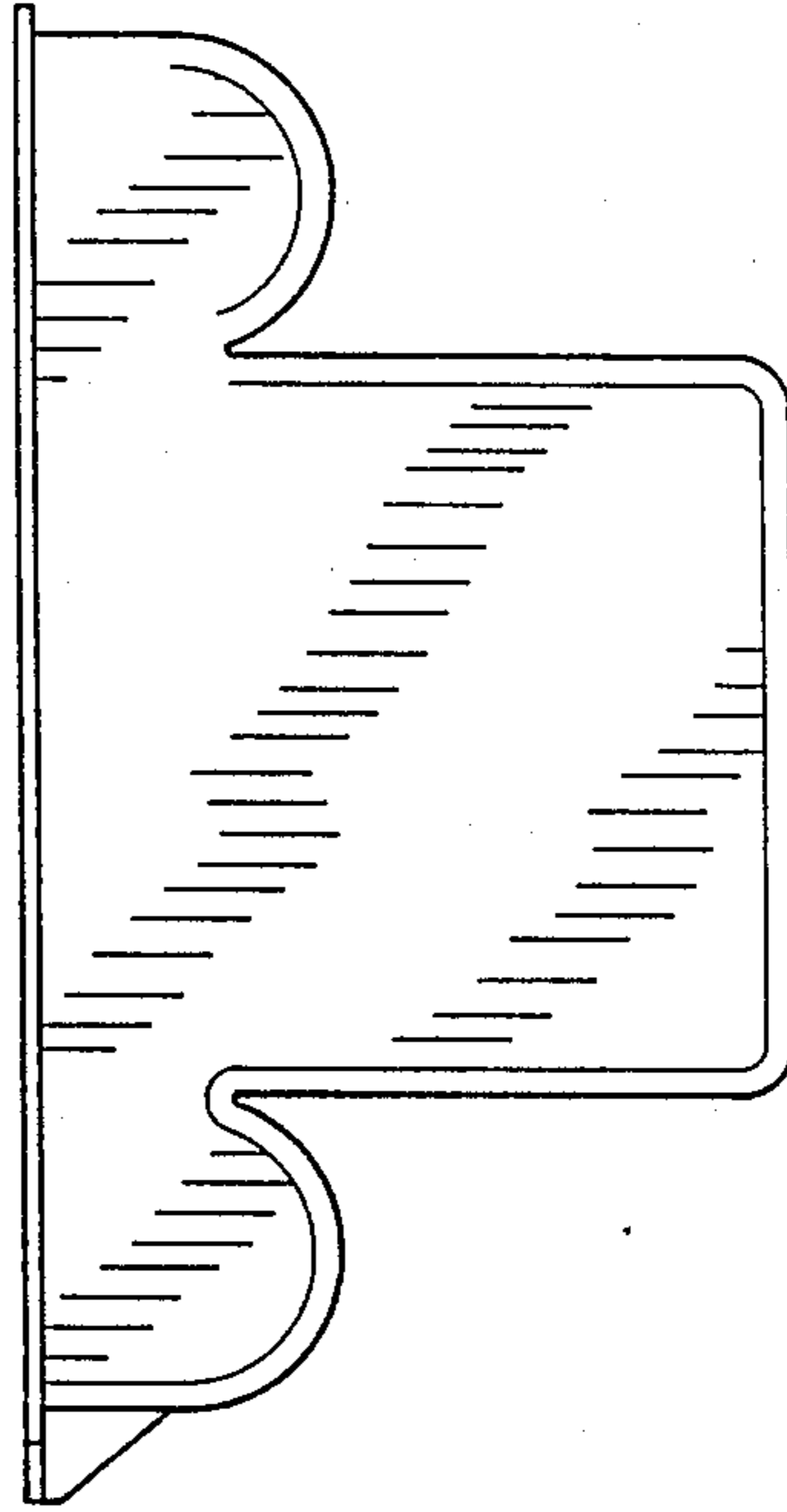


FIG. 7

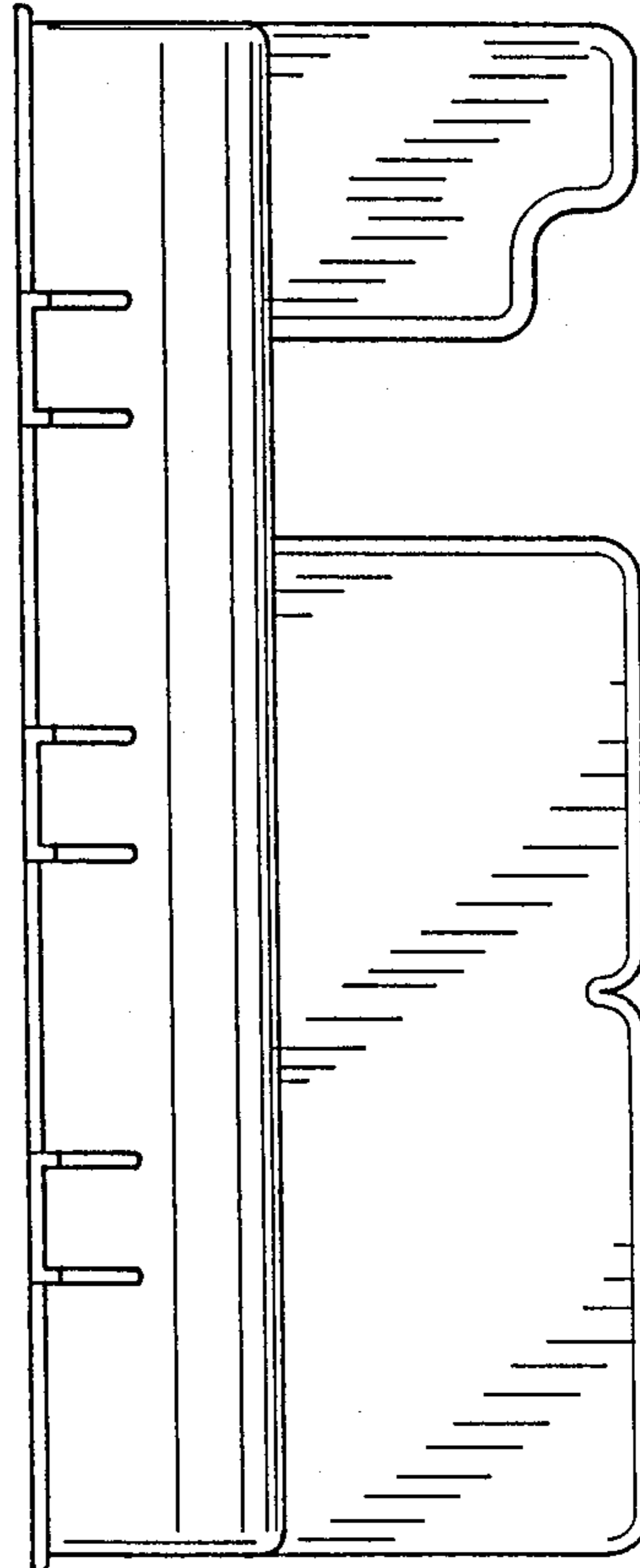


FIG. 6

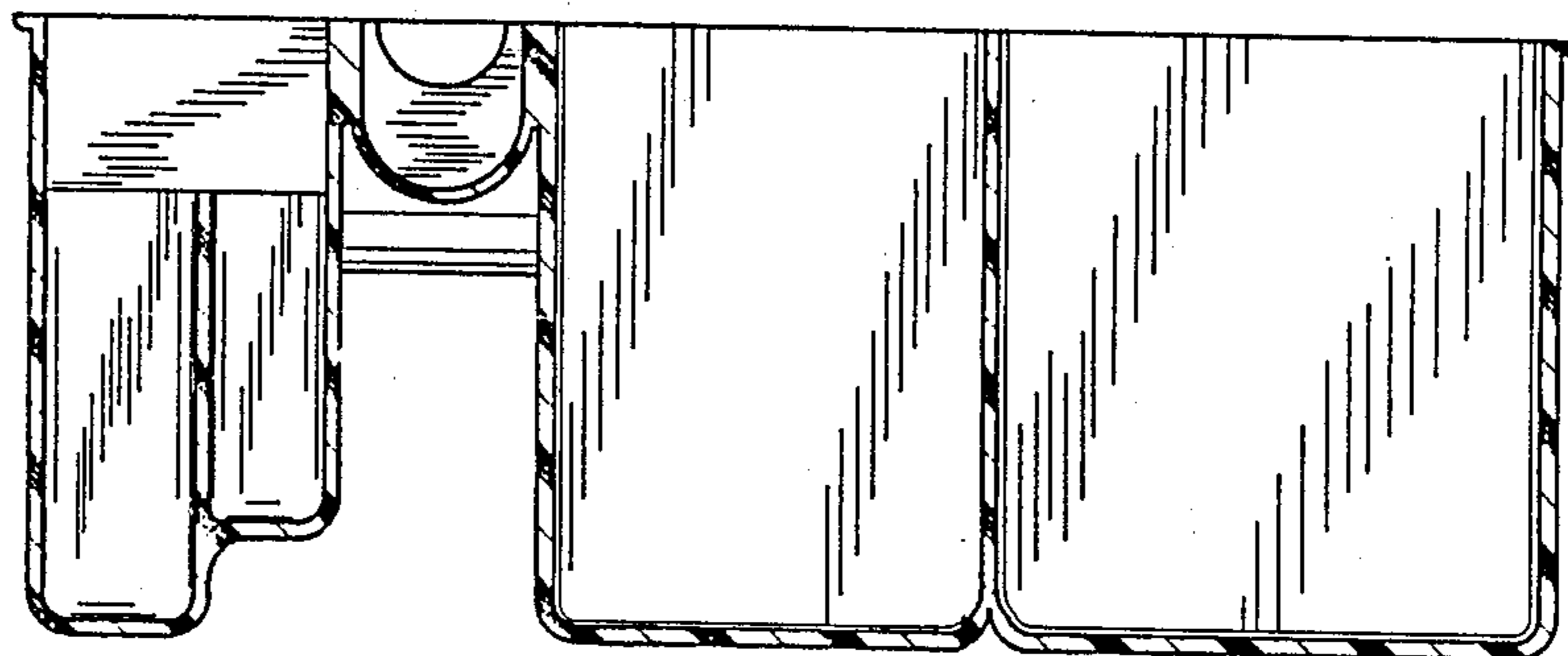


FIG. 8

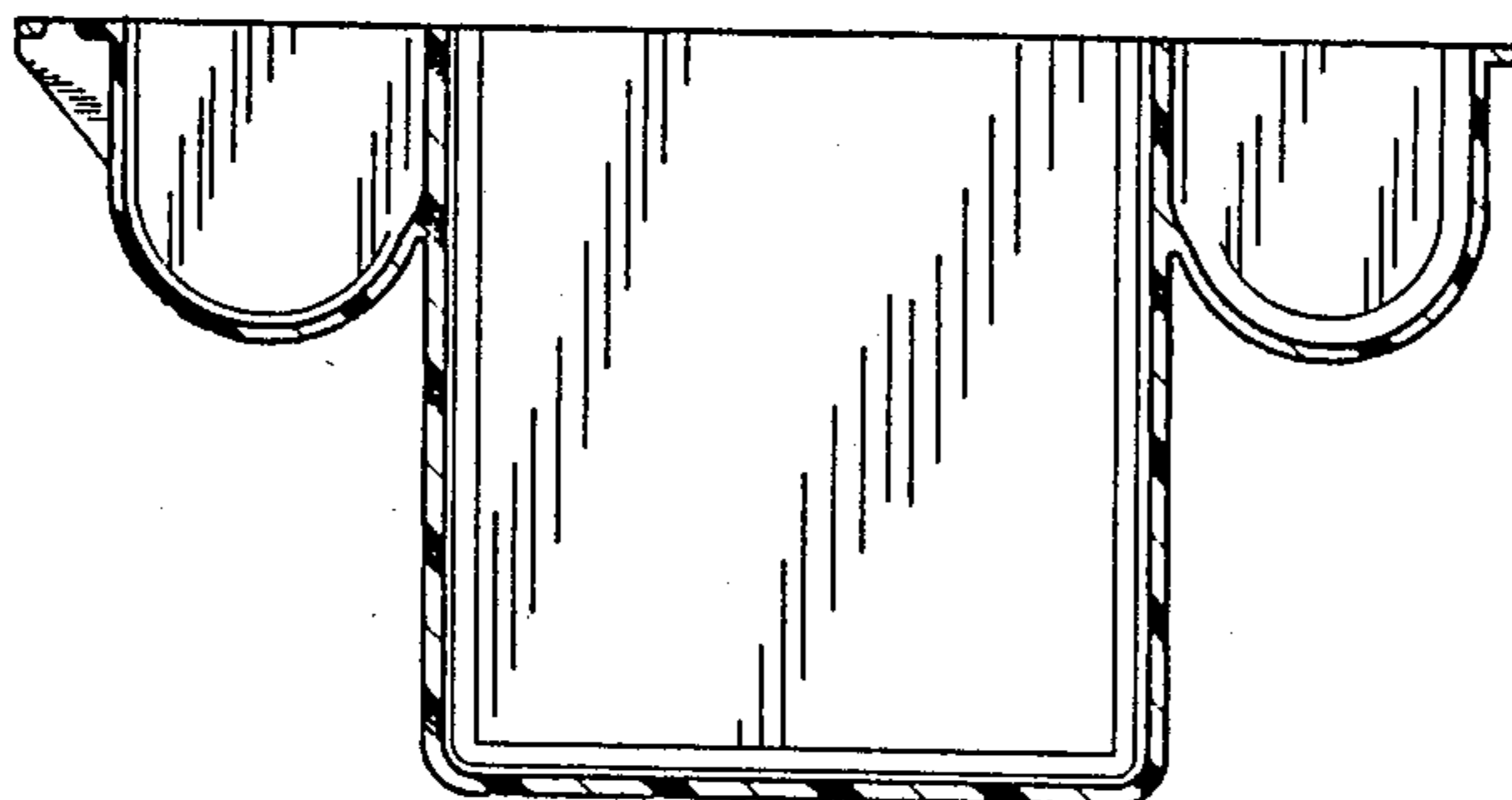


FIG. 9