

[54] KEY FOR OPENING WATER METER HOUSINGS OR THE LIKE

[75] Inventors: George R. Crumpler; Bobby R. Fair, both of Dyersburg, Tenn.

[73] Assignee: C & F Industries, Dyersburg, Tenn.

[**] Term: 14 Years

[21] Appl. No.: 267,917

[22] Filed: Nov. 7, 1988

[52] U.S. Cl. D8/347

[58] Field of Search D8/347-348; 70/393, 395, 401, 408

[56] References Cited

U.S. PATENT DOCUMENTS

- D. 238,091 12/1975 Harding D8/347 X
- D. 250,932 1/1979 Anderson D8/348

OTHER PUBLICATIONS

Ilco—Unican Catalogue No. 60-R (1984) p. 106—Key #19.B.

Ilco Catalogue No. 12 (1941) p. 214, Key #1604.

Primary Examiner—Wallace R. Burke

Assistant Examiner—Brian N. Vinson

Attorney, Agent, or Firm—Hovey, Williams, Timmons & Collins

[57] CLAIM

The ornamental design for a key for opening water meter housings or the like, as shown and described.

DESCRIPTION

FIG. 1 is a left side elevational view of a key for opening water meter housings or the like showing our new design;

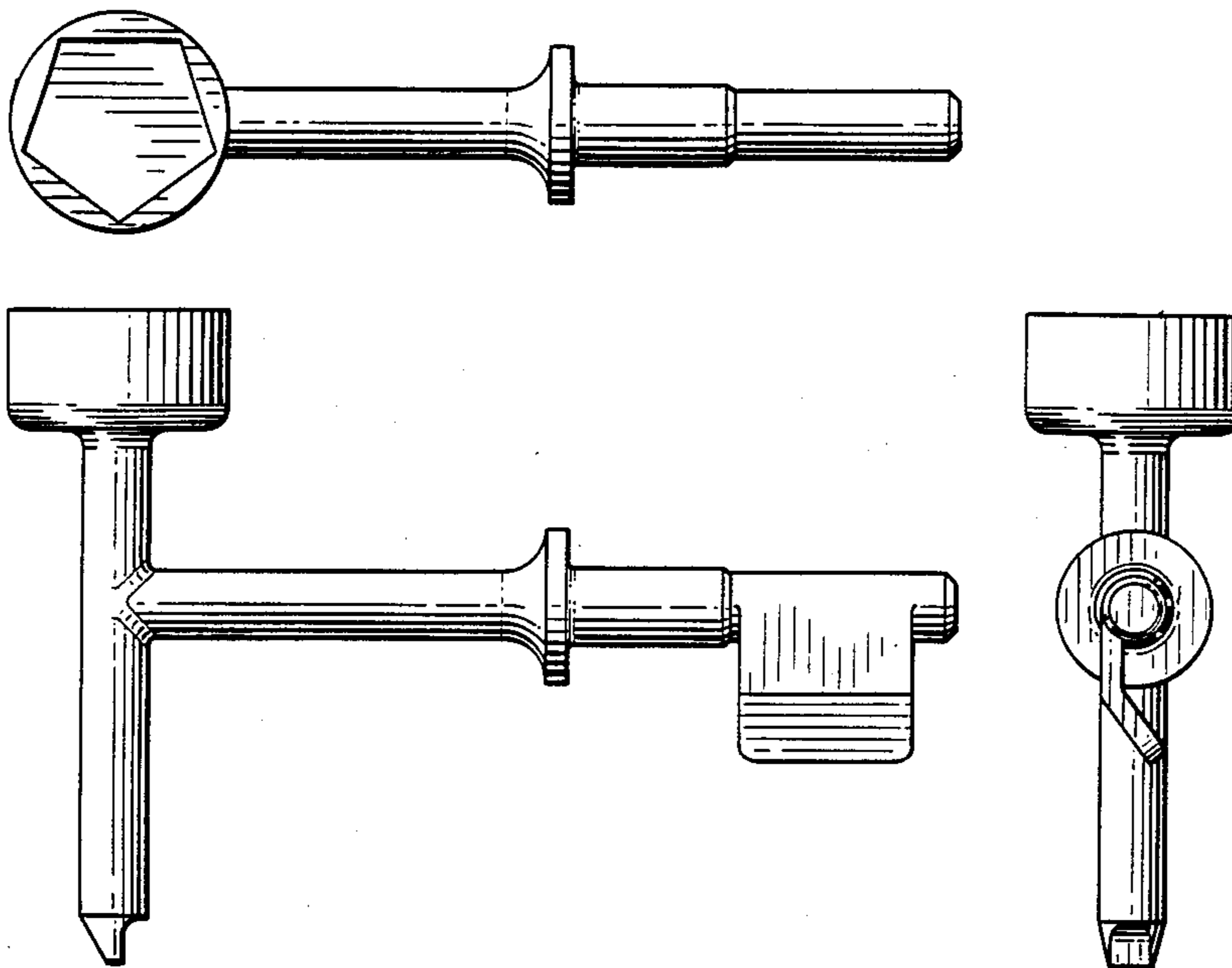
FIG. 2 is a top plan view thereof;

FIG. 3 is a front end elevational view thereof;

FIG. 4 is a bottom plan view thereof;

FIG. 5 is a right side elevational view thereof; and

FIG. 6 is a rear end elevational view thereof.



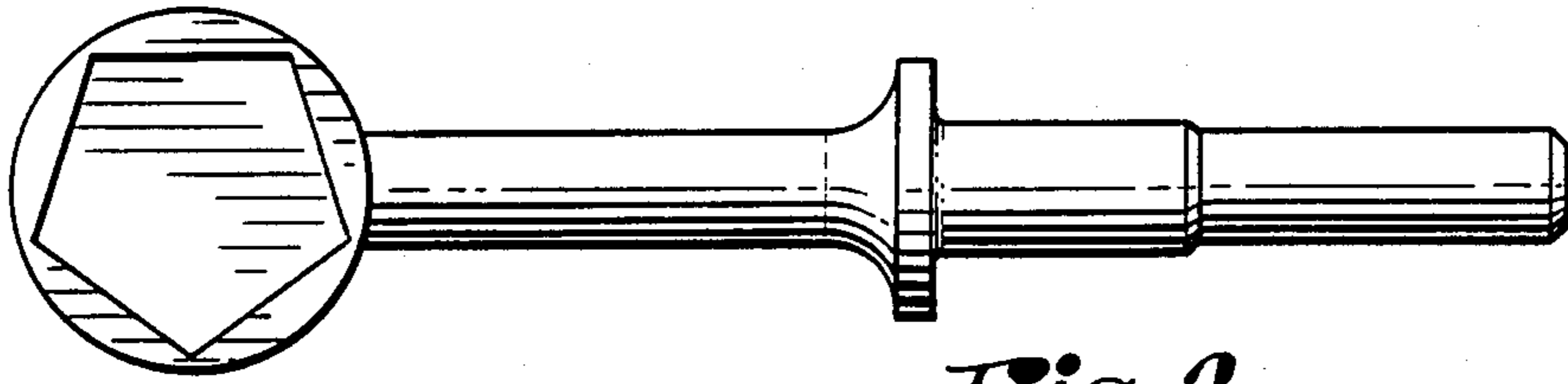


Fig. 2.

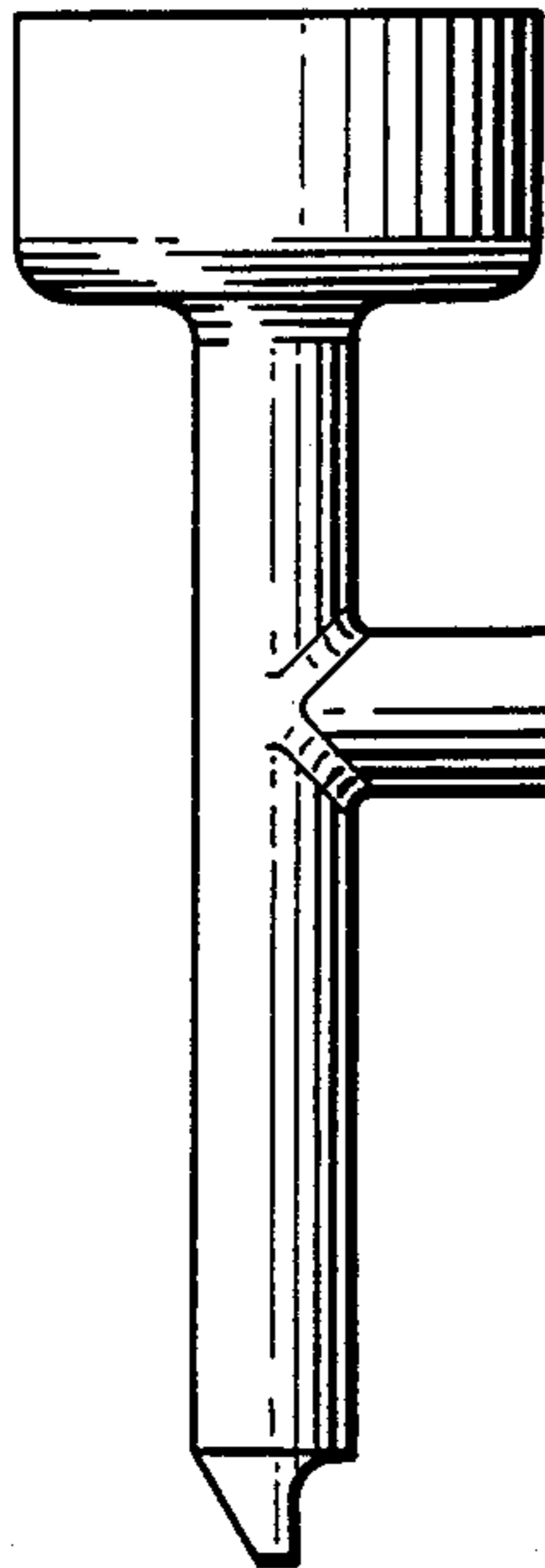


Fig. 1.

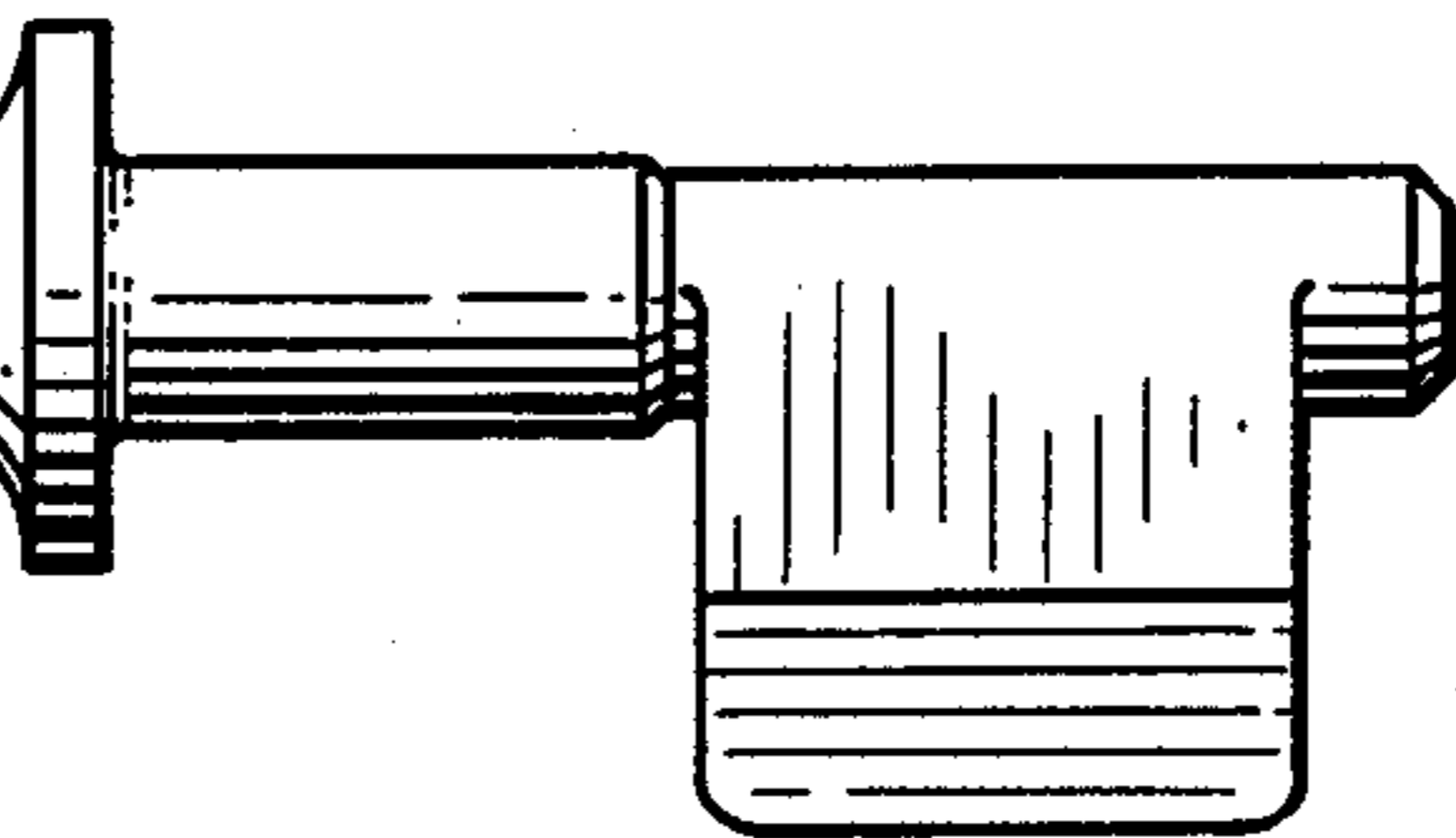


Fig. 4.

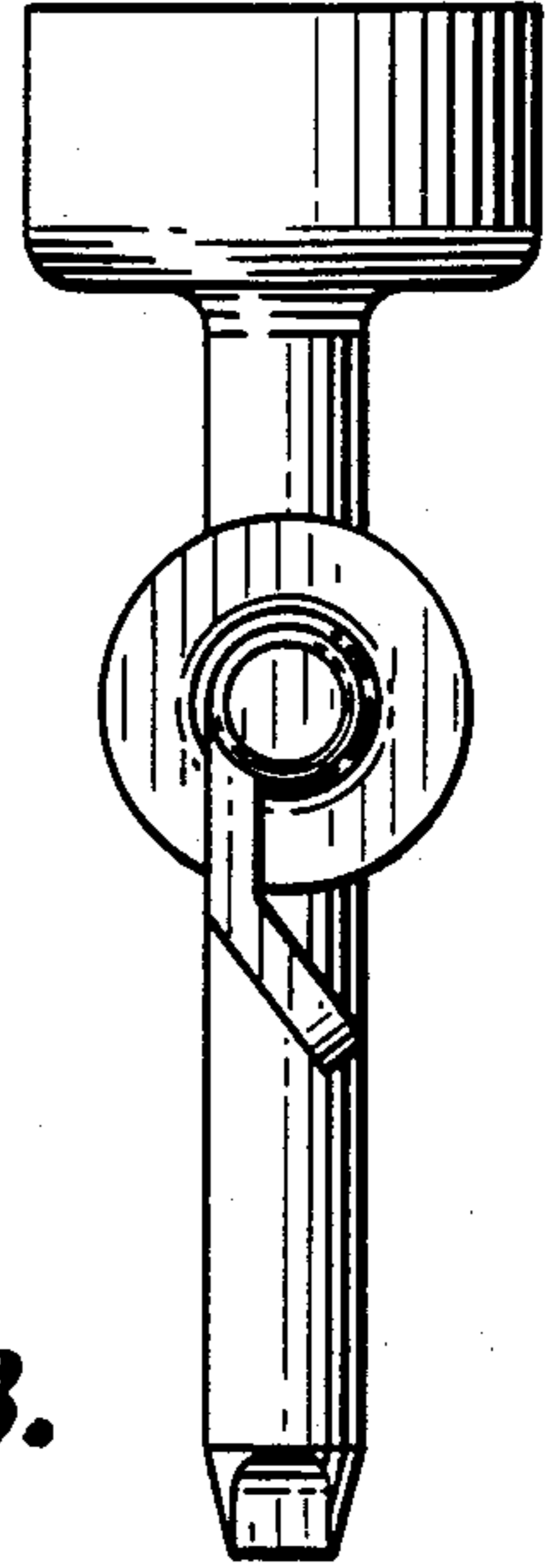


Fig. 3.

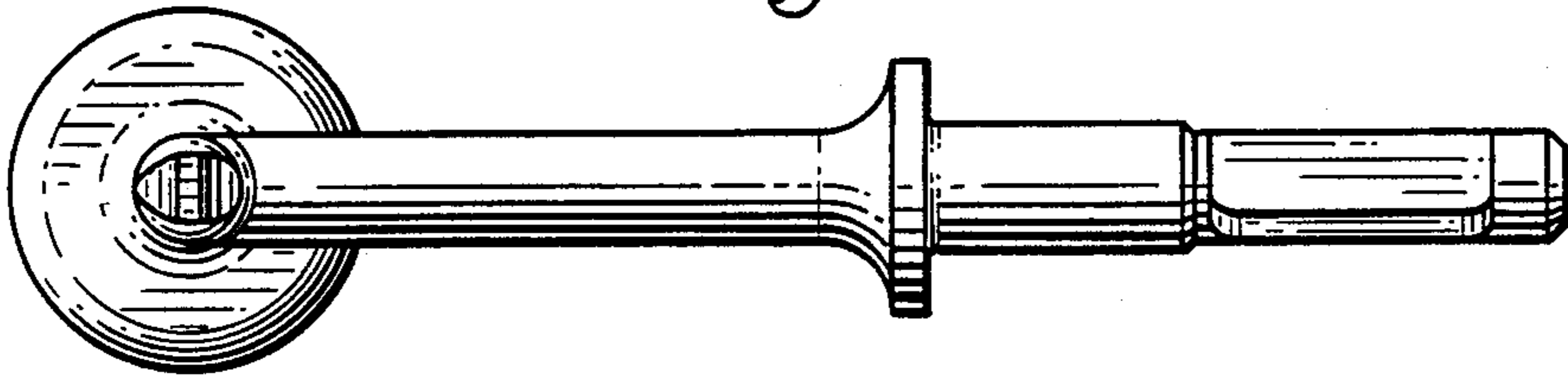


Fig. 5.

Fig. 6.

