

[54] LUGGAGE LOCK OR THE LIKE

[76] Inventor: Urs Gisiger, Gaensbruehlweg 4, 2545
Selzach, Switzerland

[**] Term: 14 Years

[21] Appl. No.: 159,569

[22] Filed: Feb. 23, 1988

[52] U.S. Cl. D8/342; D8/341;
D8/331

[58] Field of Search D8/330-331,
D8/336-338, 339-342, 344-345; 70/57-58, 64,
66-72, 74-75, 286-288, 330, 332, 312, DIG. 26;
292/DIG. 48, DIG. 49

D. 194,552 2/1963 Gehrie D8/342
D. 248,539 7/1978 Davis D8/336
D. 291,772 9/1987 Gisiger D8/331
D. 302,106 7/1989 Gisiger D8/331
3,998,077 12/1976 Bako 70/74
4,343,162 9/1987 Gialometti 70/67

Primary Examiner—Wallace R. Burke
Assistant Examiner—Brian N. Vinson

[57] CLAIM

The ornamental design for a luggage lock or the like, as shown and described.

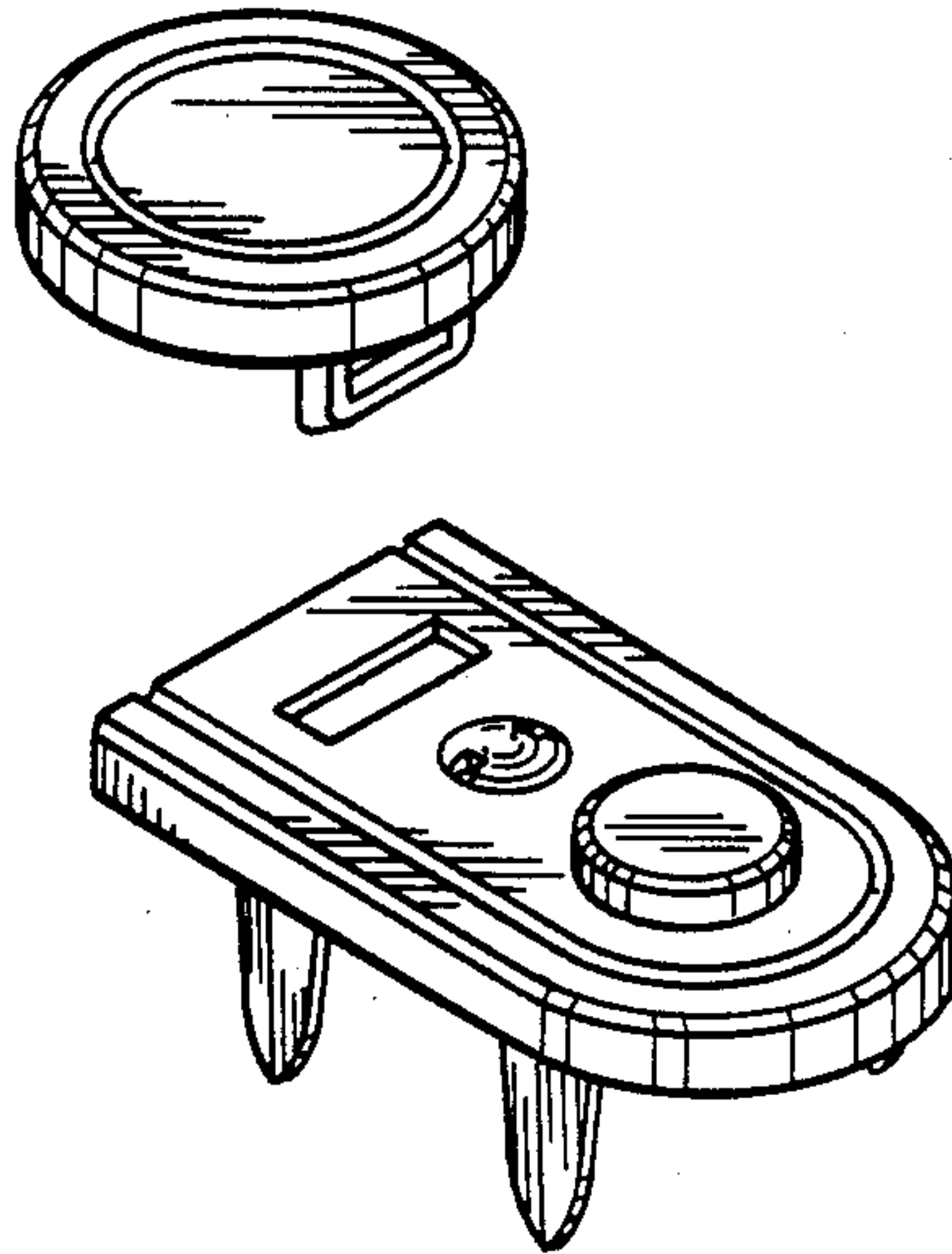
DESCRIPTION

FIG. 1 is an exploded perspective view of a luggage lock or the like showing my new design;
FIG. 2 is a perspective view thereof;
FIG. 3 is an exploded end elevational view thereof;
FIG. 4 is an exploded side elevational view thereof;
FIG. 5 is a top plan view thereof; and
FIG. 6 is a bottom plan view thereof.

[56] References Cited

U.S. PATENT DOCUMENTS

D. 134,680 12/1942 Levine D8/338
D. 156,751 1/1950 Levine D8/338 X



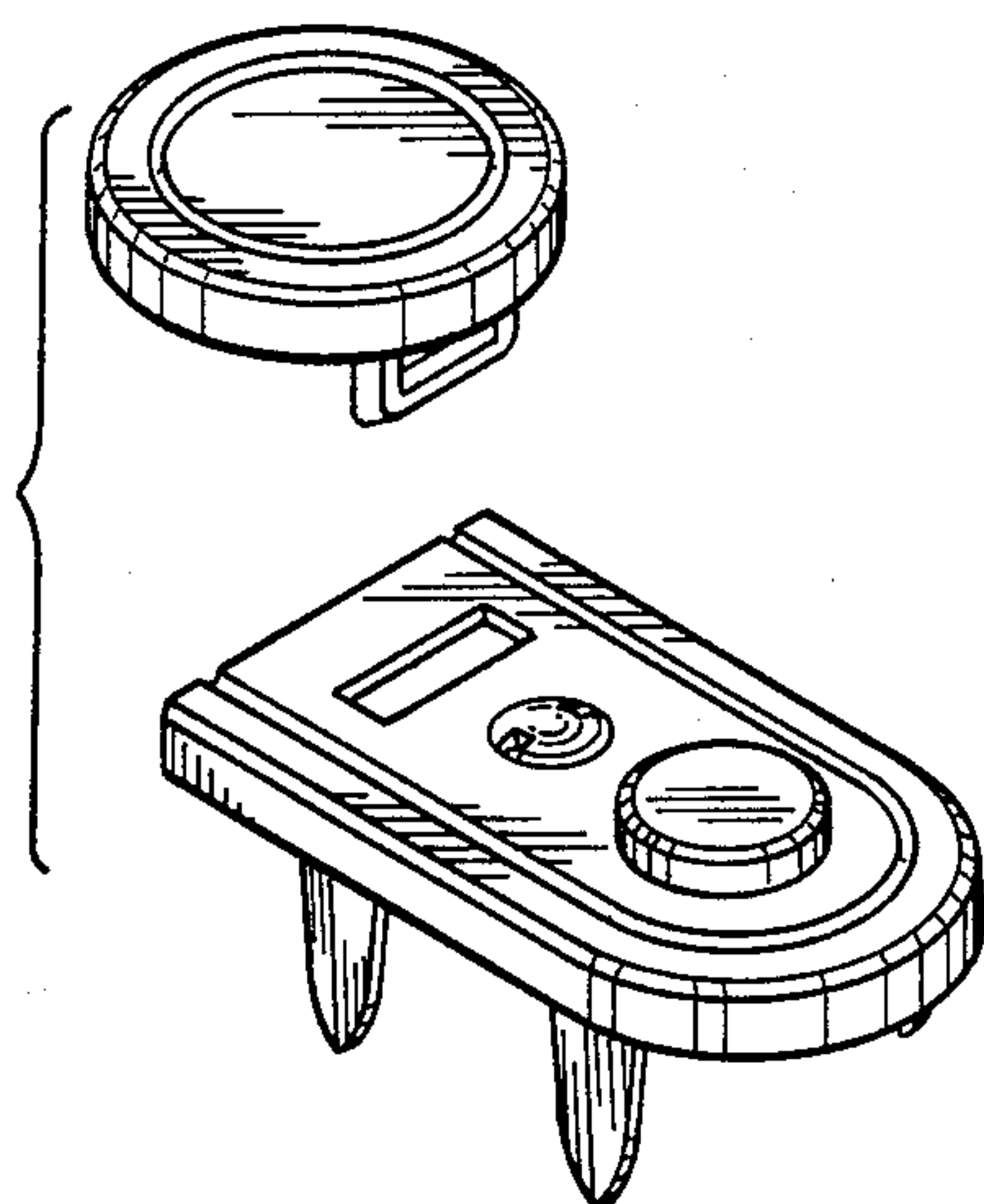


FIG. 1

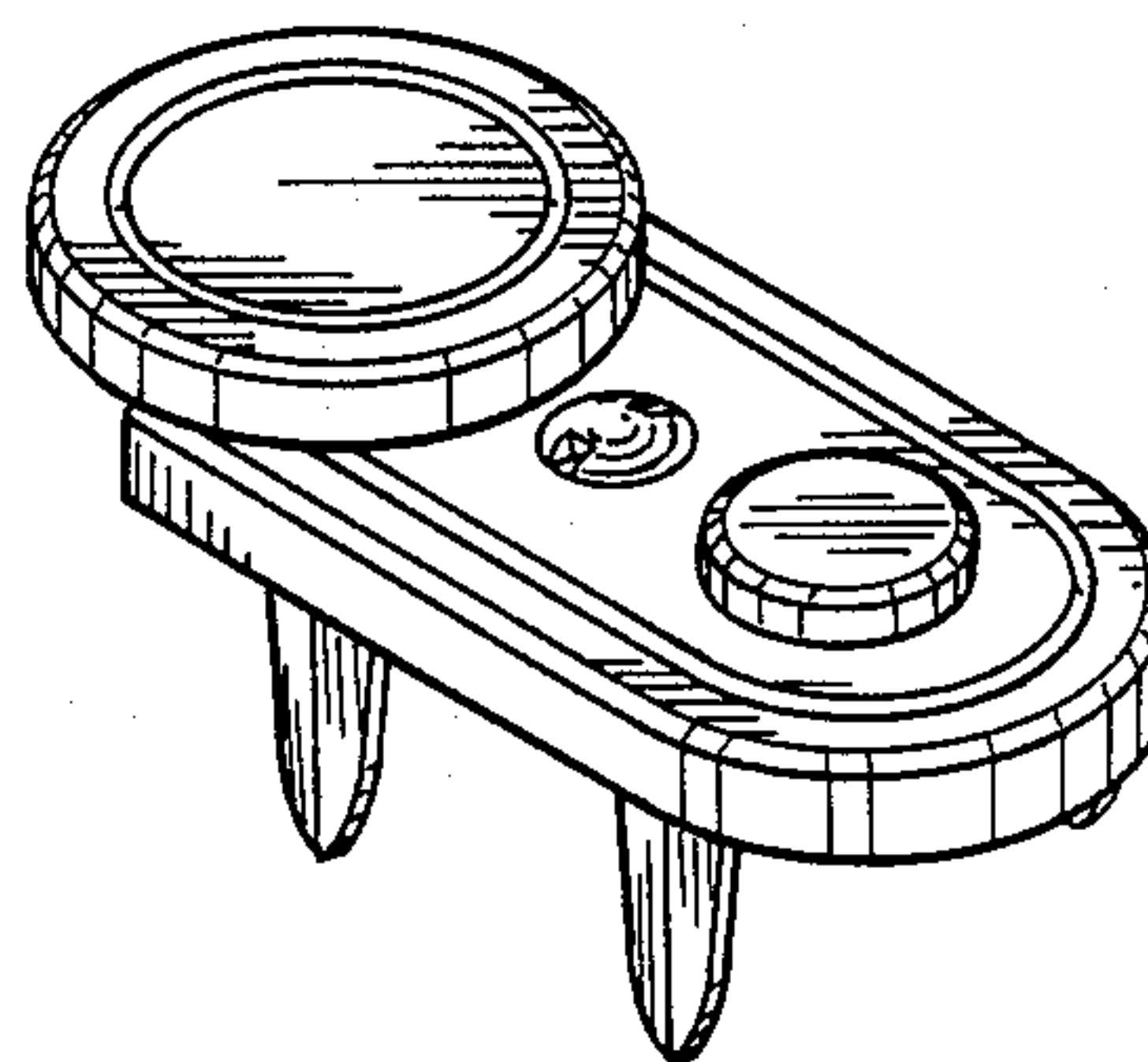


FIG. 2

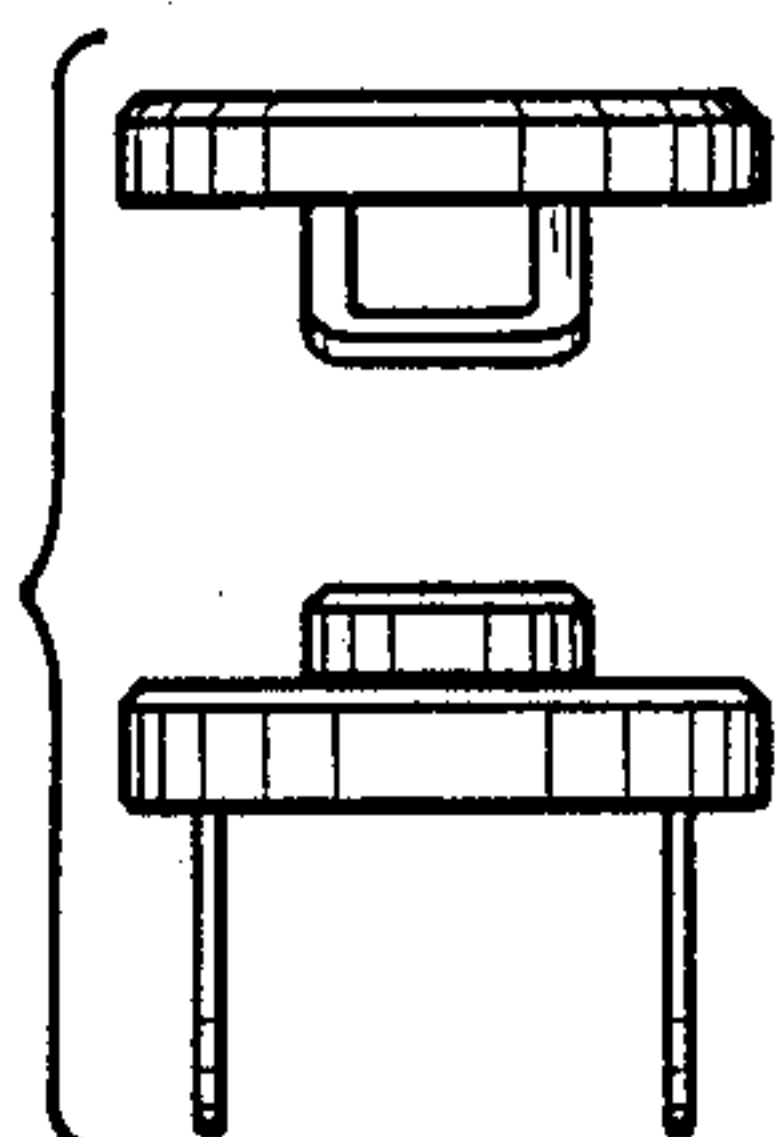


FIG. 3

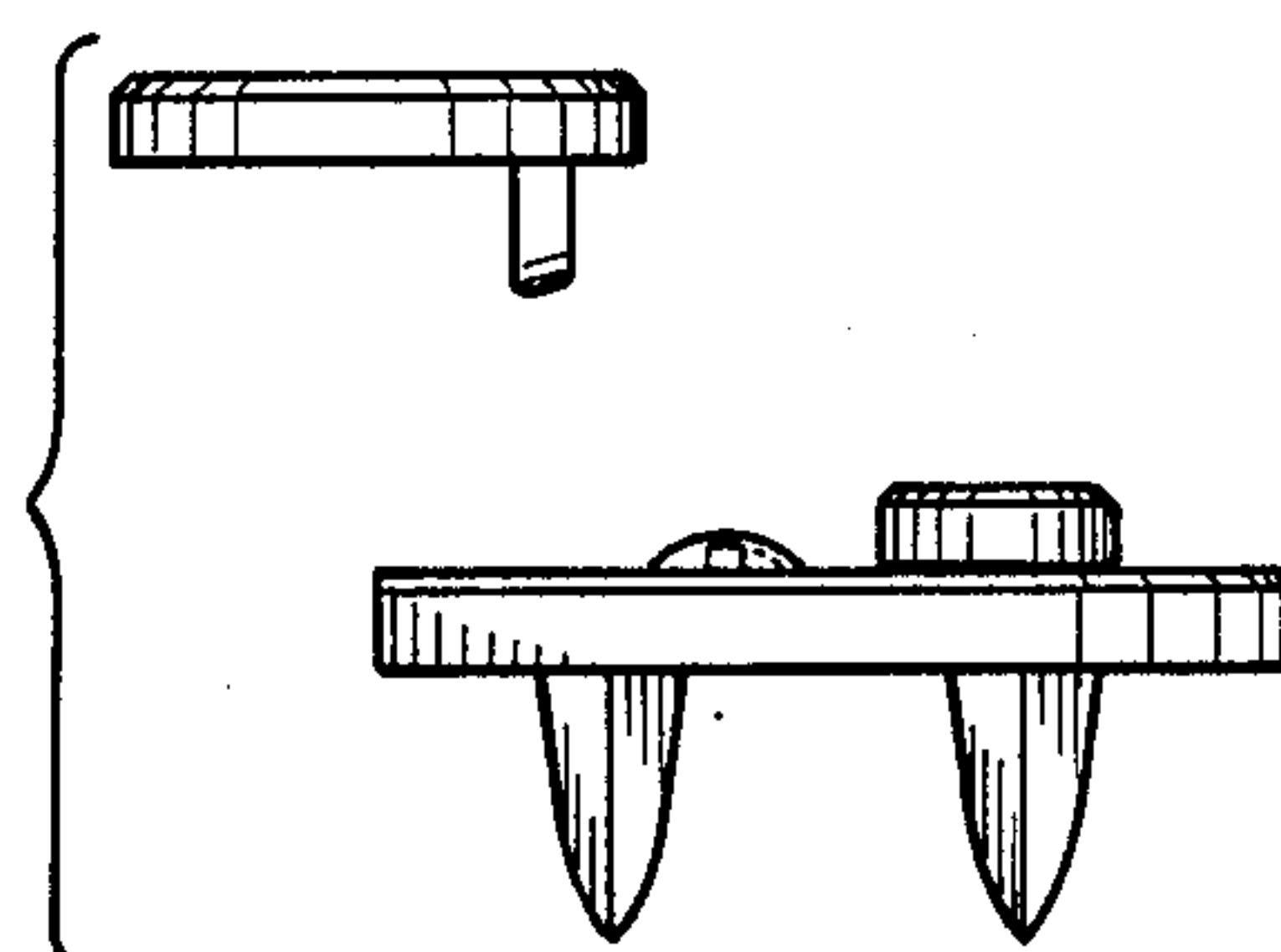


FIG. 4

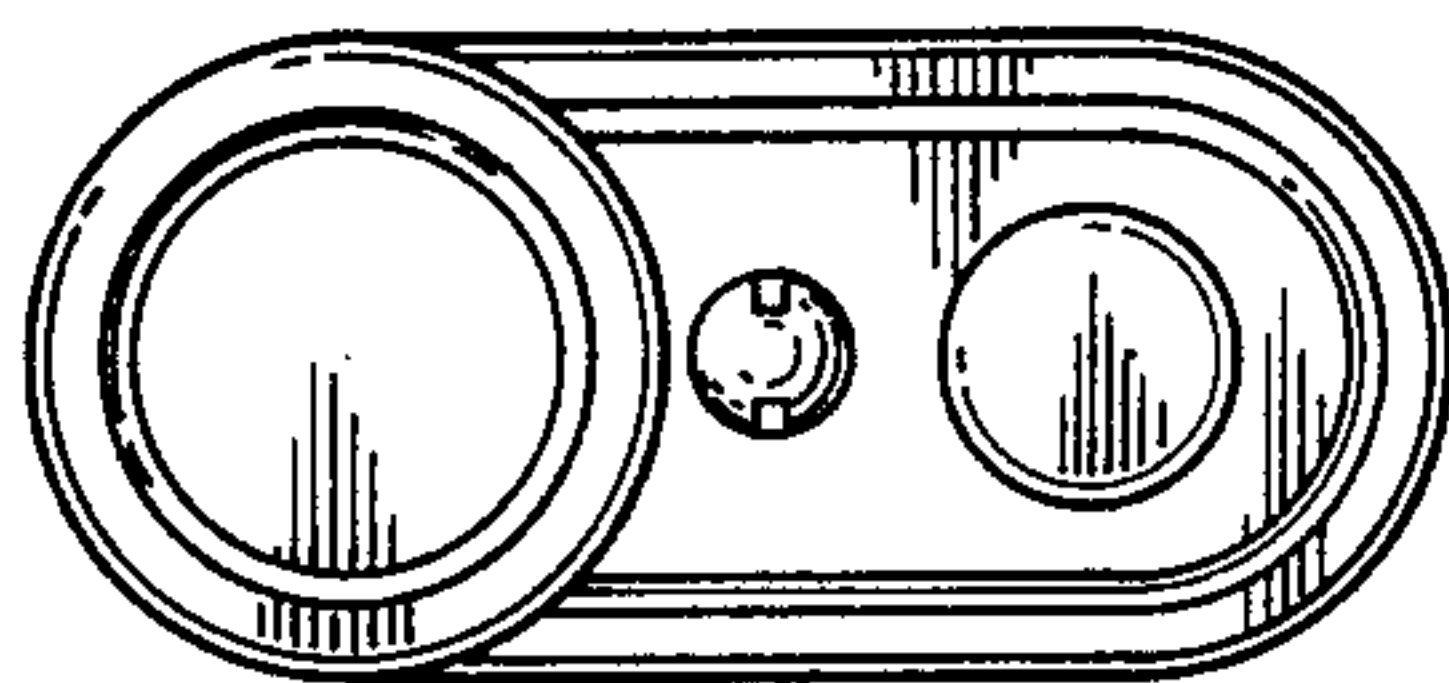


FIG. 5

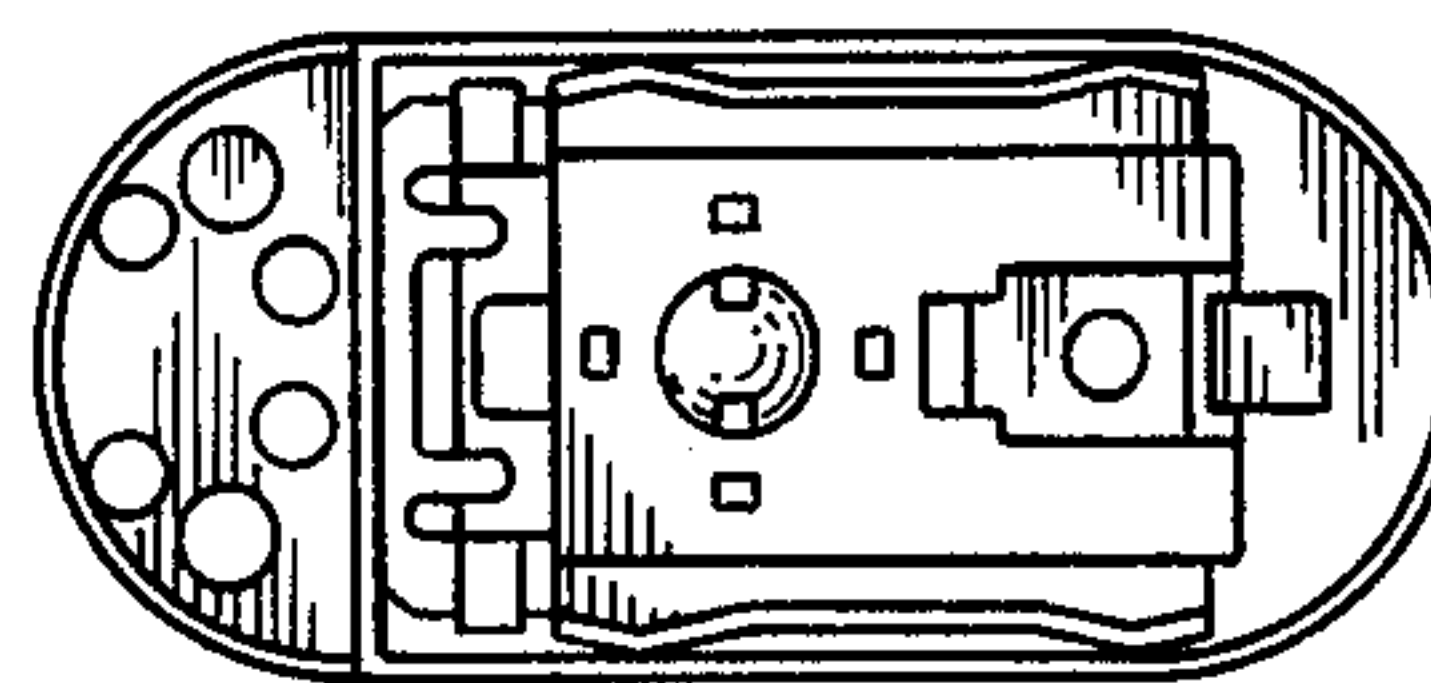


FIG. 6