

[54] WIRE STRIPPER

[56] References Cited

[75] Inventor: Peter W. Reeve, Sutton, England

U.S. PATENT DOCUMENTS

3,611,571 10/1971 Belling ..... D8/98 X  
4,060,891 12/1977 Lerner ..... 30/90.1

[73] Assignee: British Telecommunications public limited company, Great Britain

FOREIGN PATENT DOCUMENTS

9859 of 1902 United Kingdom ..... 81/9.4

[\*\*] Term: 14 Years

Primary Examiner—Nelson C. Holtje  
Assistant Examiner—Clare E. Heflin  
Attorney, Agent, or Firm—Nixon & Vanderhye

[21] Appl. No.: 123,659

[57] CLAIM

The ornamental design for a wire stripper, as shown and described.

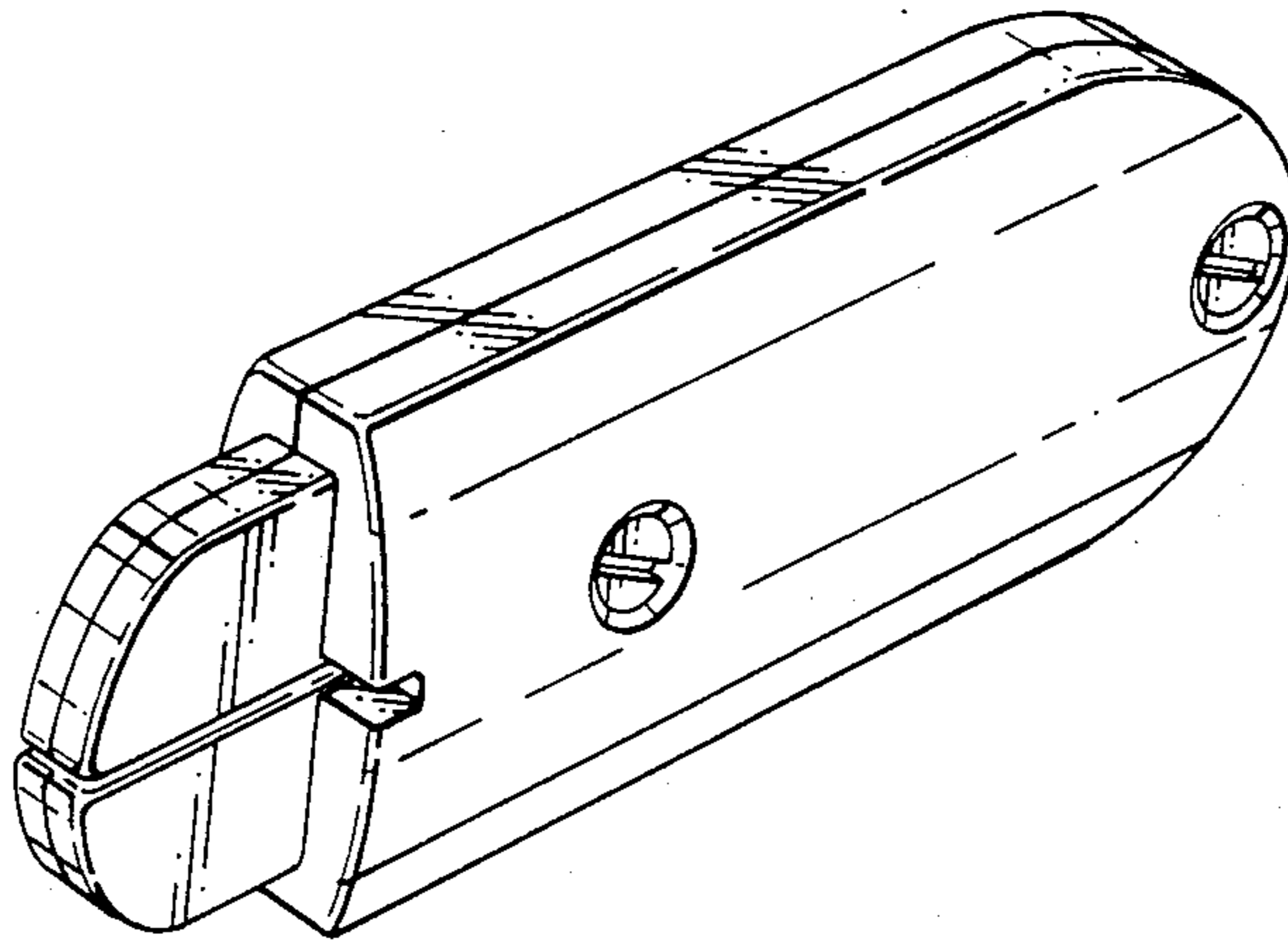
[22] Filed: Nov. 20, 1987

DESCRIPTION

[30] Foreign Application Priority Data

May 21, 1987 [GB] United Kingdom ..... 1042347  
[52] U.S. Cl. .... D8/98; D8/14  
[58] Field of Search ..... D8/14, 98-100,  
D8/107; 30/90.1, 90.2, 90.3, 90.4; 81/9.4

FIG. 1 is a top, front, and one side perspective view of the wire stripper showing my new design;  
FIG. 2 is an opposite side elevational view thereof;  
FIG. 3 is a bottom plan view thereof;  
FIG. 4 is a rear elevational view thereof.



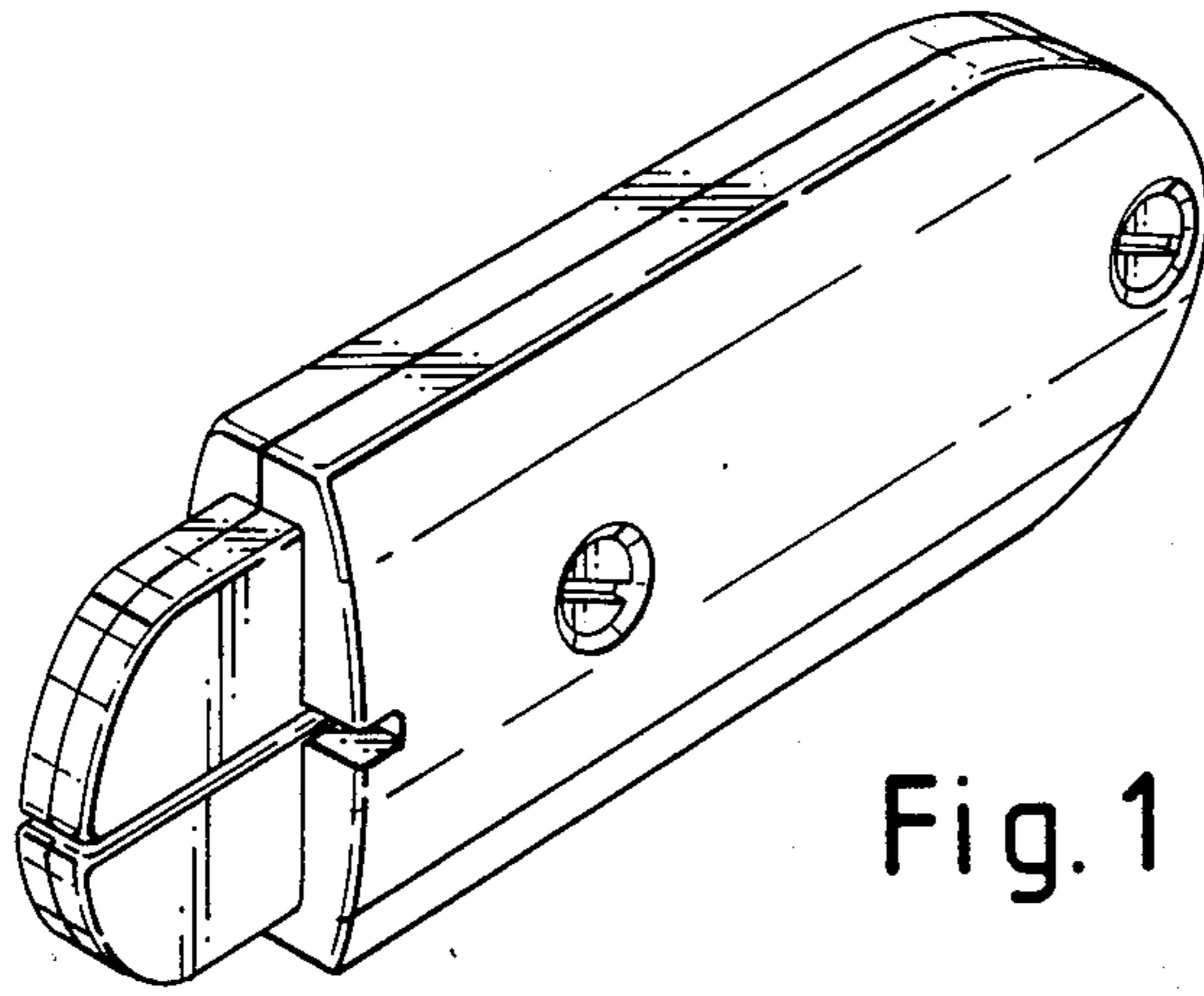


Fig. 1

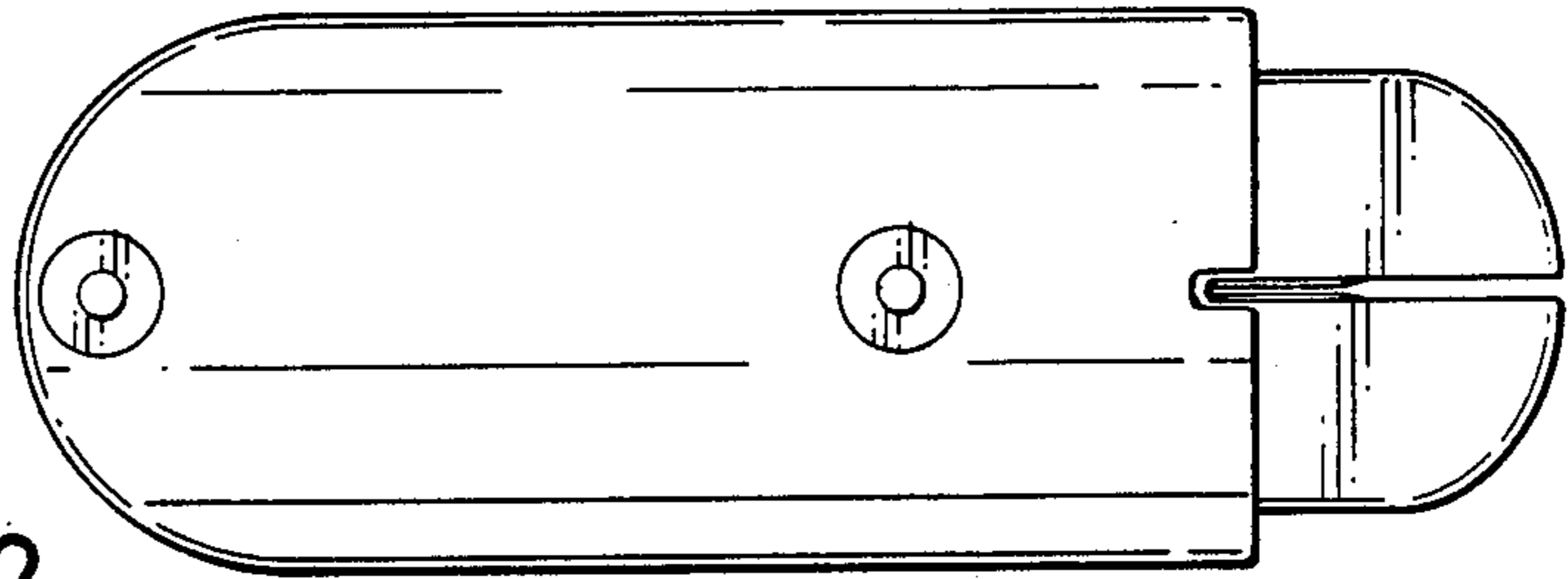


Fig. 2

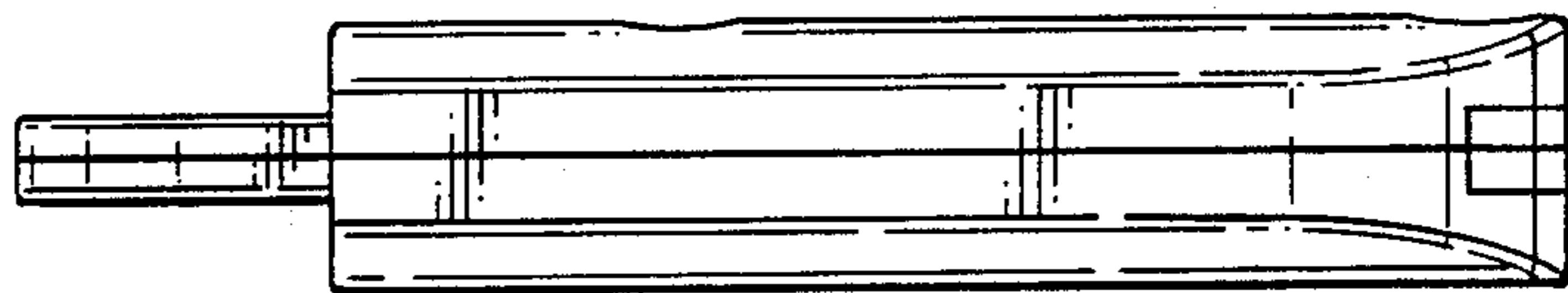


Fig. 3

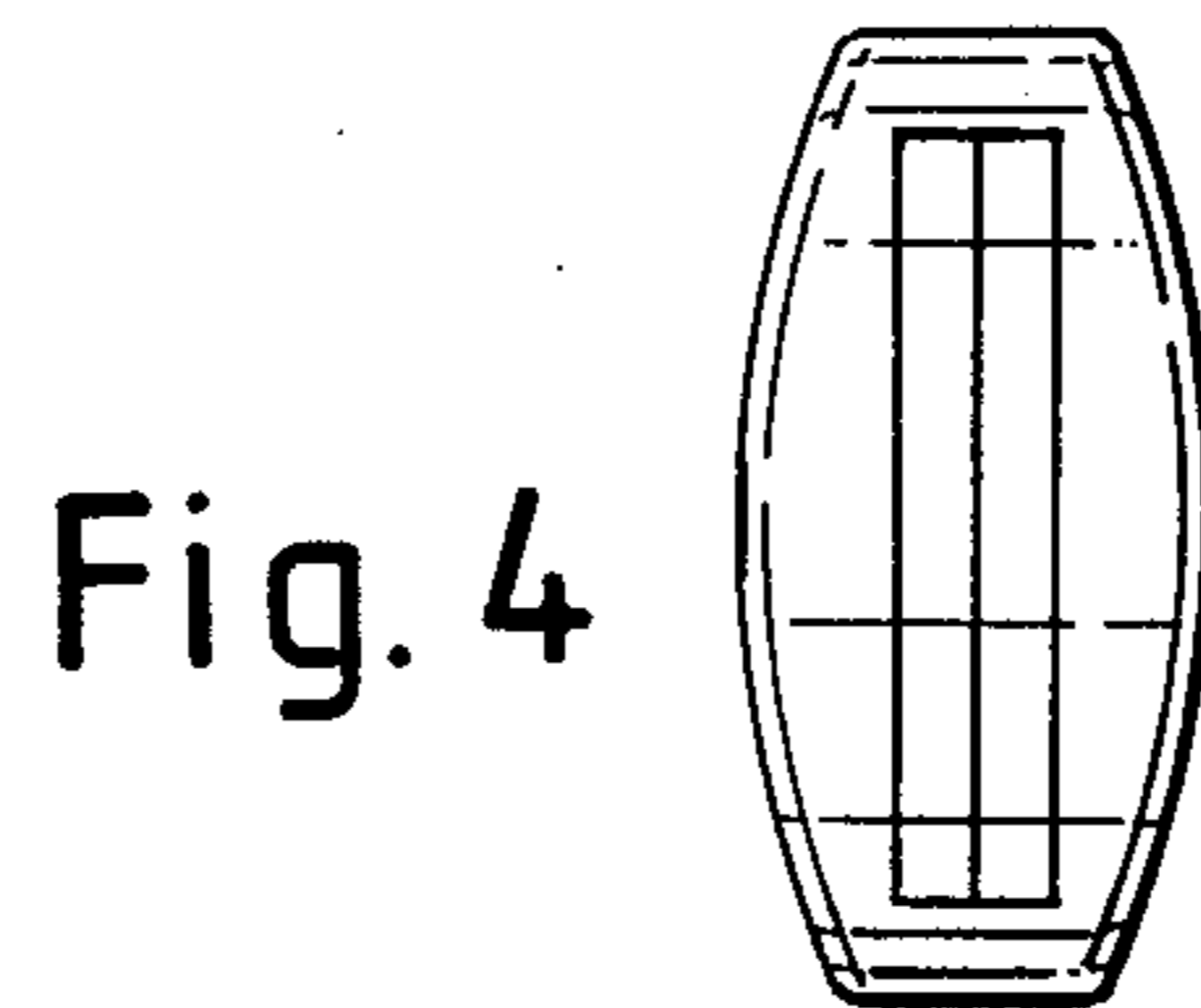


Fig. 4