

[54] WHETSTONE HONING KIT

[76] Inventors: John R. Hudnall, Rt. 18, Box 180, Hot Springs, Ark. 71901; Alvin E. Taylor, P.O. Box 378, Lake Hamilton, Ark. 71951

[**] Term: 14 Years

[21] Appl. No.: 23,466

[22] Filed: Mar. 6, 1987

[52] U.S. Cl. D8/93; D8/71; D8/91

[58] Field of Search D8/90-93; 51/211 H, 211 R, 212, 370-372, 384, 390-393; 29/80, 81 H, 81 J, 81 L; D28/59

[56] References Cited

U.S. PATENT DOCUMENTS

D. 257,541	11/1980	Fox et al.	D28/59
D. 260,356	8/1981	Hall	D8/91
1,959,647	5/1934	Stivers	51/211 R
2,009,222	7/1935	Connor	51/211 R

FOREIGN PATENT DOCUMENTS

2026909 2/1980 United Kingdom 51/211 R

OTHER PUBLICATIONS

The Fine Tool Shops, Inc. Catalog, p. 32, "Japanese Sharpening Shop", #500-1600.

Sarrett-Wade 1984 Woodworking Catalog, p. 55, item "E".

The Fine Tool Shops, Inc. Catalog, p. 30, item "C"—Arkansas Honing Kit.

Primary Examiner—Nelson C. Holtje

Assistant Examiner—Clare E. Heflin

Attorney, Agent, or Firm—George F. Helfrich

[57] CLAIM

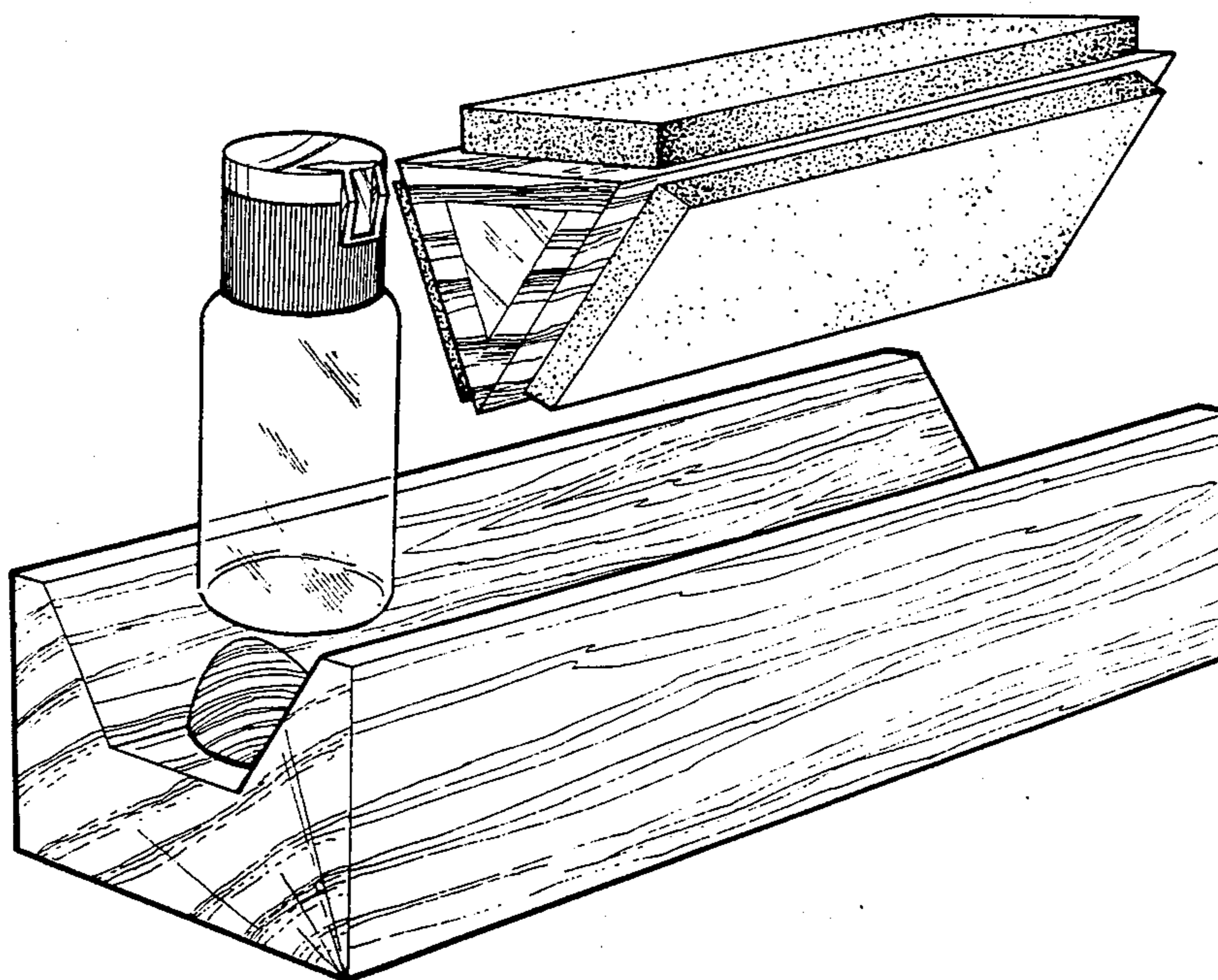
The ornamental design for a whetstone honing kit, as shown and described.

DESCRIPTION

FIG. 1 is an exploded perspective view of a whetstone honing kit showing our new design;

FIG. 2 is a perspective view of a whetstone honing kit showing our new design in the assembled position; and

FIG. 3 is a rear elevational view of a whetstone honing kit showing our new design in the assembled position.



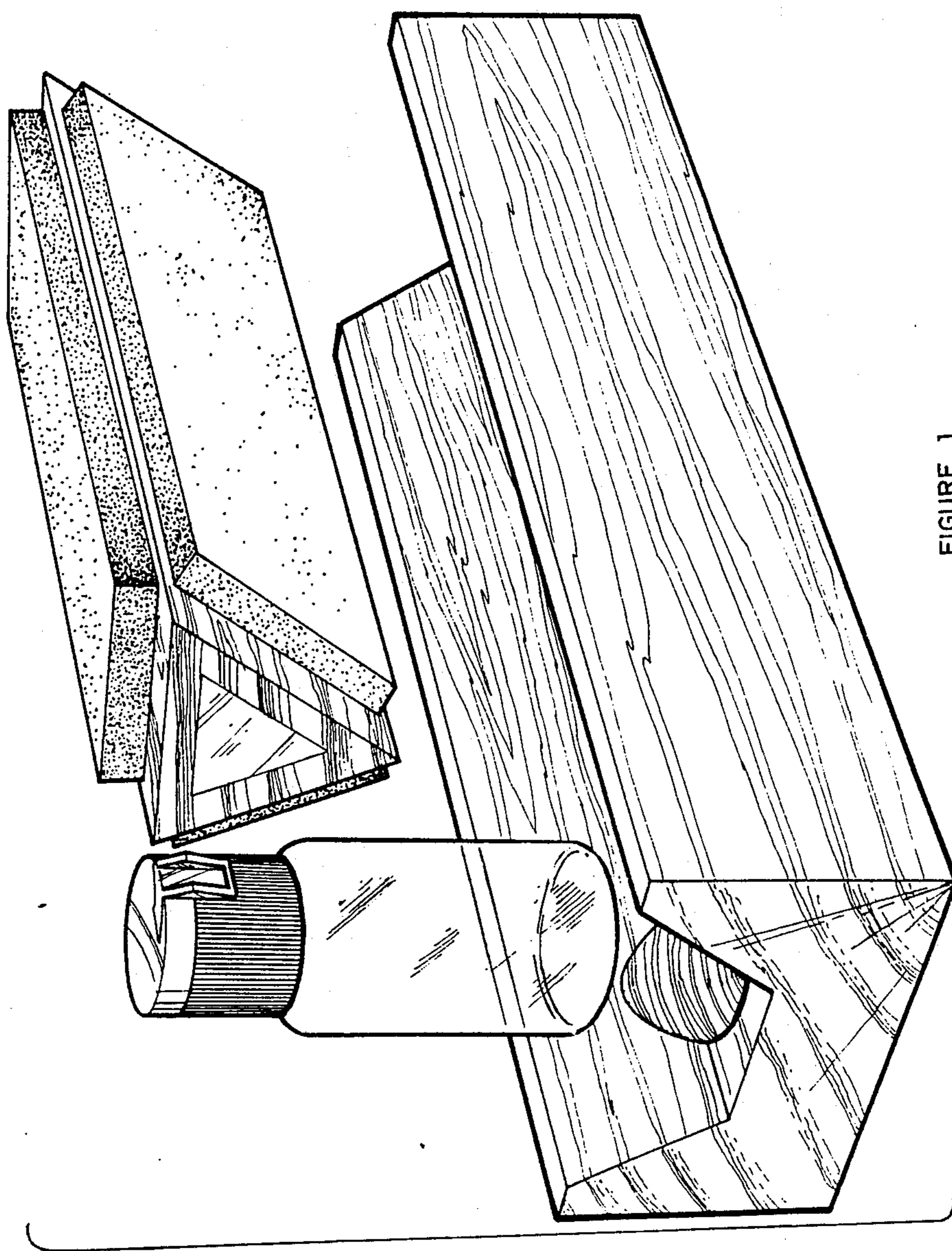


FIGURE 1

