

[54] **TURF REPAIR TOOL**

[76] **Inventor: Robert L. Shields, Rte. 3, Box 72, Miltona, Minn. 56354**

[**] **Term: 14 Years**

[21] **Appl. No.: 171,304**

[22] **Filed: Mar. 21, 1988**

[52] **U.S. Cl. D8/1; D8/7**

[58] **Field of Search D8/1, 6-7; 294/49, 55.5; 172/21; 47/1 R; 83/919, 648, 84, 359**

[56] **References Cited**

U.S. PATENT DOCUMENTS

D. 253,390	11/1979	Bartholomew	D8/7
D. 258,112	2/1981	Klapp	D8/7
D. 267,074	11/1982	Feighery	D8/13
D. 288,401	2/1987	Lukomski	D8/1
1,239,316	9/1917	Svendsen	D8/9 X
2,458,215	1/1949	Sparks	30/302
3,025,636	3/1962	Warren	D8/7 X
3,540,503	11/1970	McNair	30/301
4,676,538	6/1987	Fiedler	294/50.7 X

OTHER PUBLICATIONS

Standard Golf Co. catalog, p. 21, Turf Plugger brochure (undated: provided by applicant).

Par Aide Products Co. catalog, p. 5, Woodbury Box Company brochure (undated: provided by applicant).

Primary Examiner—Wallace R. Burke

Assistant Examiner—Brian N. Vinson

Attorney, Agent, or Firm—Burd, Bartz & Gutenkauf

[57] **CLAIM**

The ornamental design for a turf repair tool, as shown and described.

DESCRIPTION

FIG. 1 is a top, front, and right side perspective view of a turf repair tool showing my new design;

FIG. 2 is a front elevational view thereof, the rear being a mirror image of that shown;

FIG. 3 is a side elevational view thereof, the opposite side being a mirror image of that shown;

FIG. 4 is an enlarged top plan view thereof;

FIG. 5 is an enlarged bottom plan view thereof;

FIG. 6 is a top, front, and right side perspective view of a second embodiment thereof;

FIG. 7 is a front elevational view of the embodiment of FIG. 7, the rear being a mirror image of that shown;

FIG. 8 is a side elevational view of the embodiment of FIG. 7, the opposite side being a mirror image of that shown;

FIG. 9 is an enlarged top plan view of the embodiment of FIG. 7;

FIG. 10 is an enlarged bottom plan view of the embodiment of FIG. 7;

FIG. 11 is a top, front, and right side perspective view of a third embodiment thereof;

FIG. 12 is a front elevational view of the embodiment of FIG. 11, the rear being a mirror image of that shown;

FIG. 13 is a side elevational view of the embodiment of FIG. 11, the opposite side being a mirror image of that shown;

FIG. 14 is an enlarged top plan view of the embodiment of FIG. 11; and

FIG. 15 is an enlarged bottom plan view of the embodiment of FIG. 11.

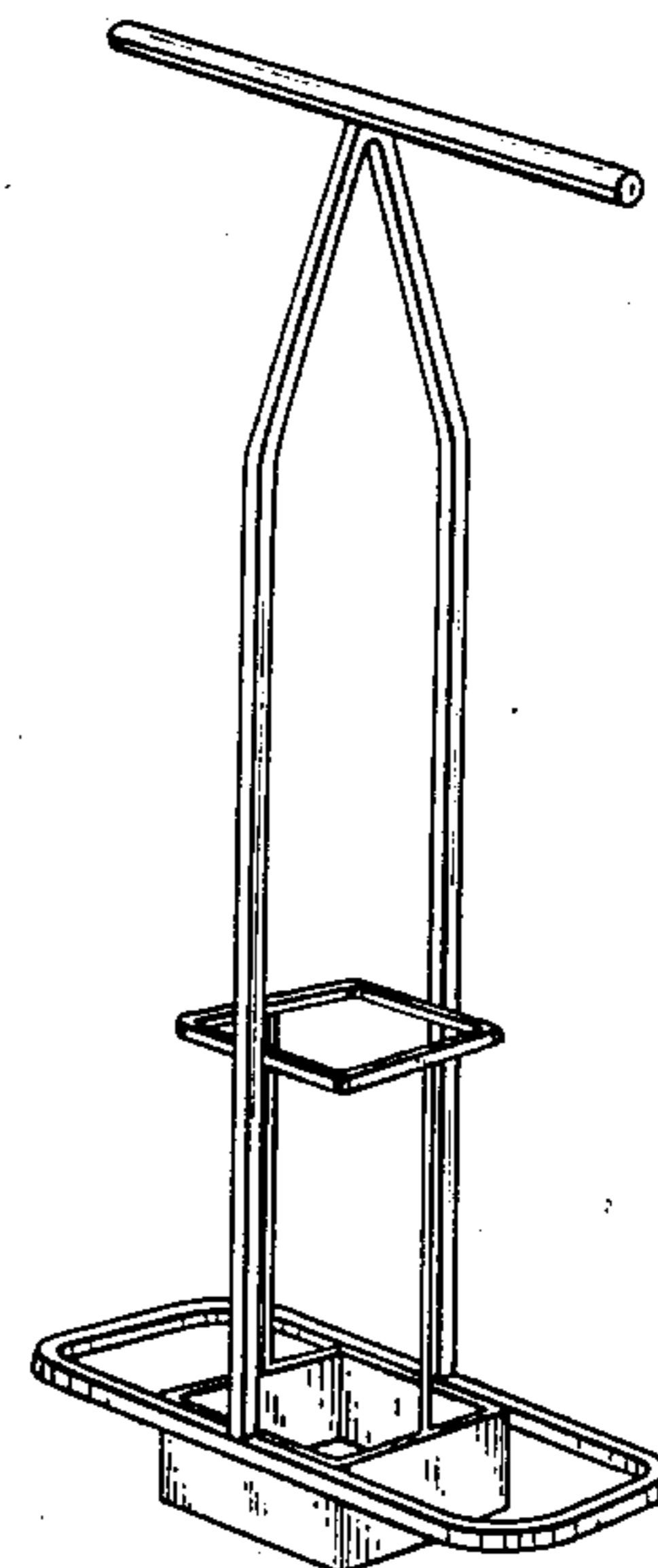
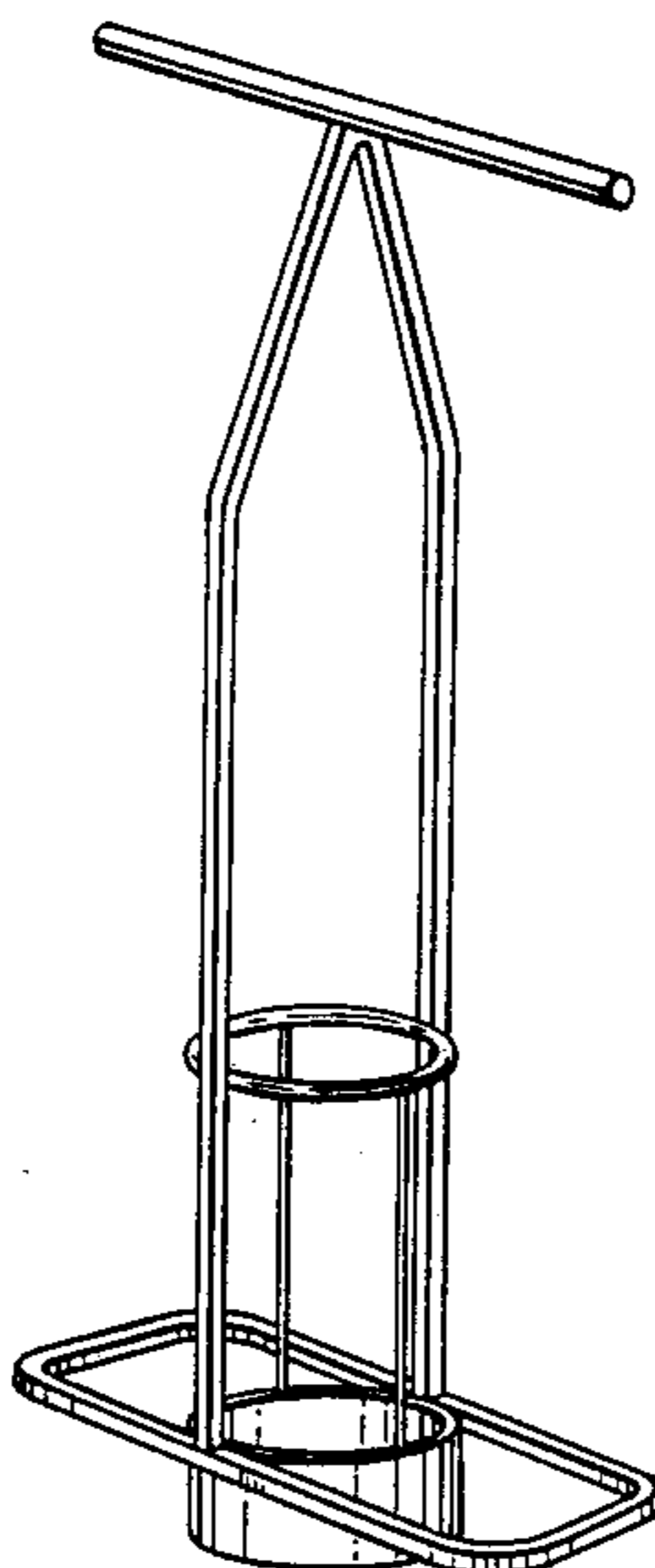
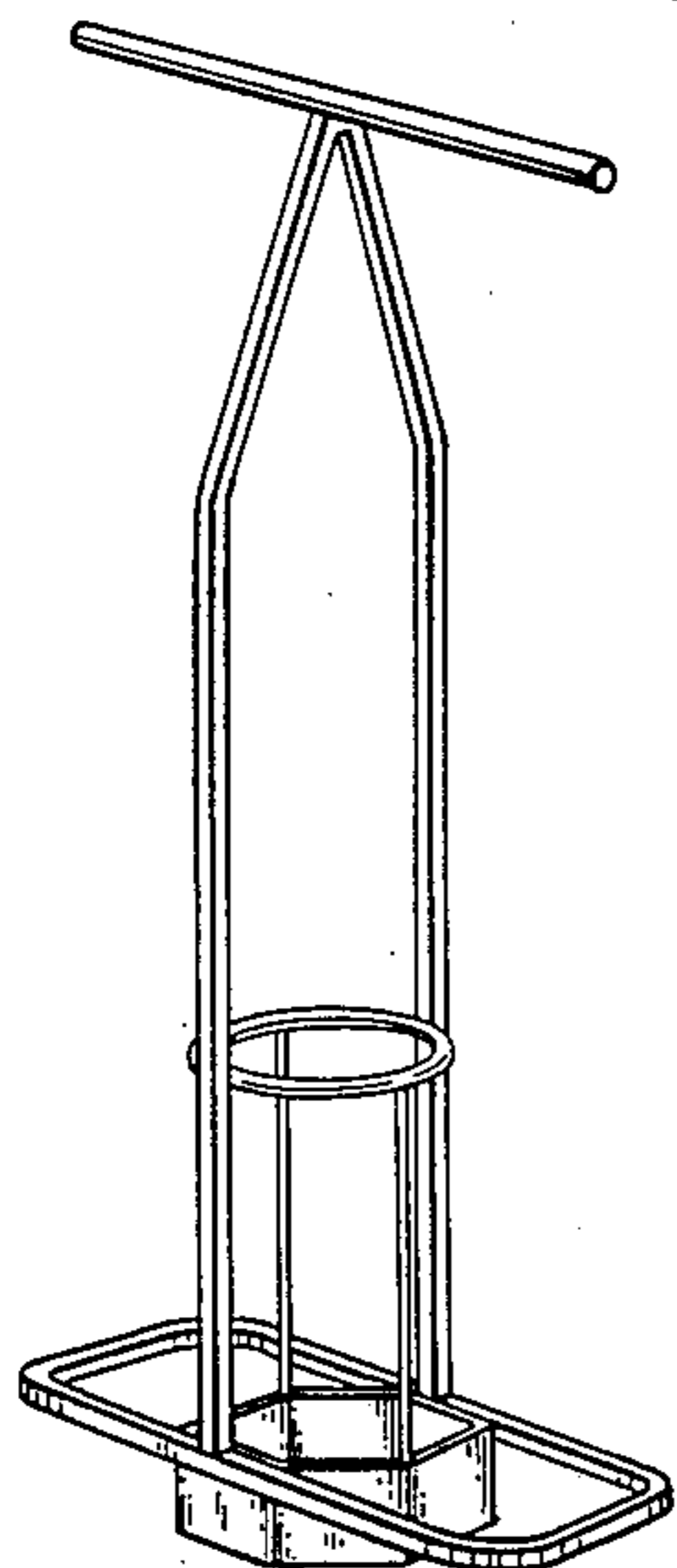


FIG. 1

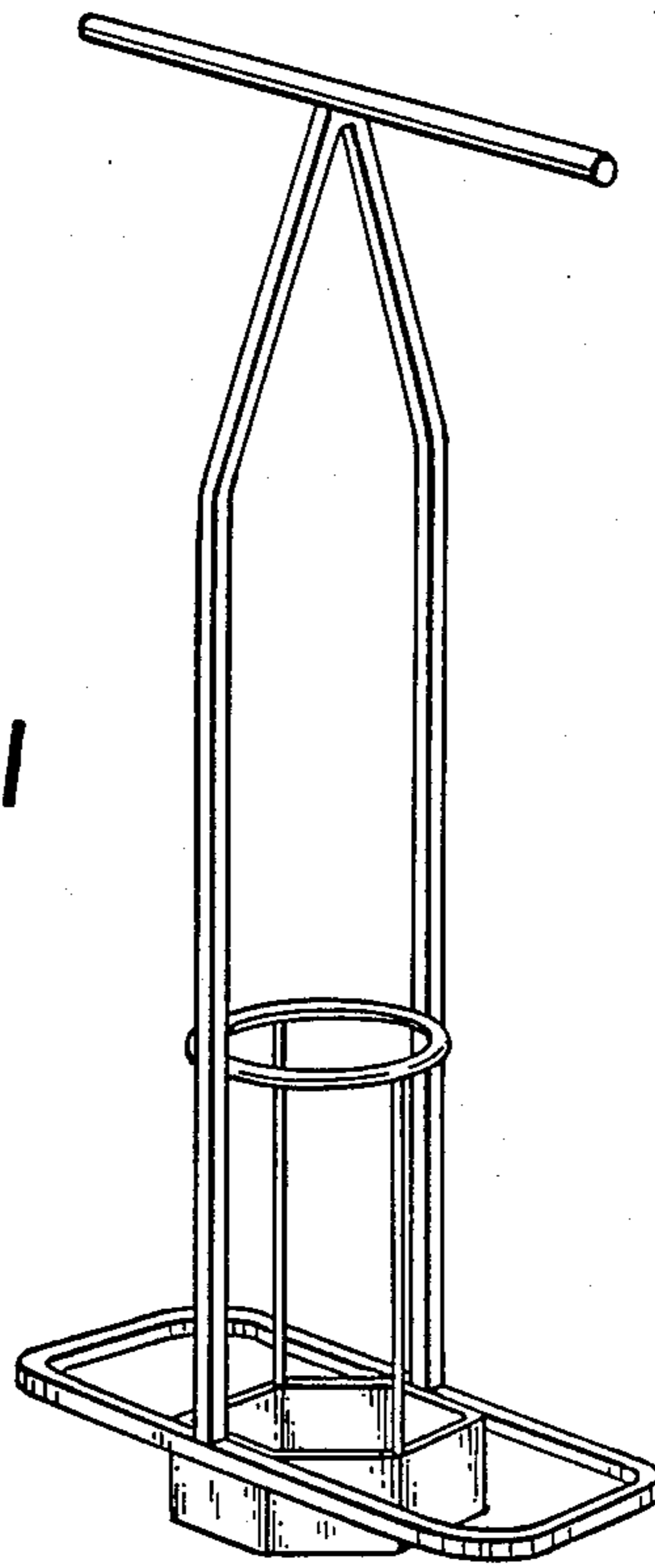


FIG. 2

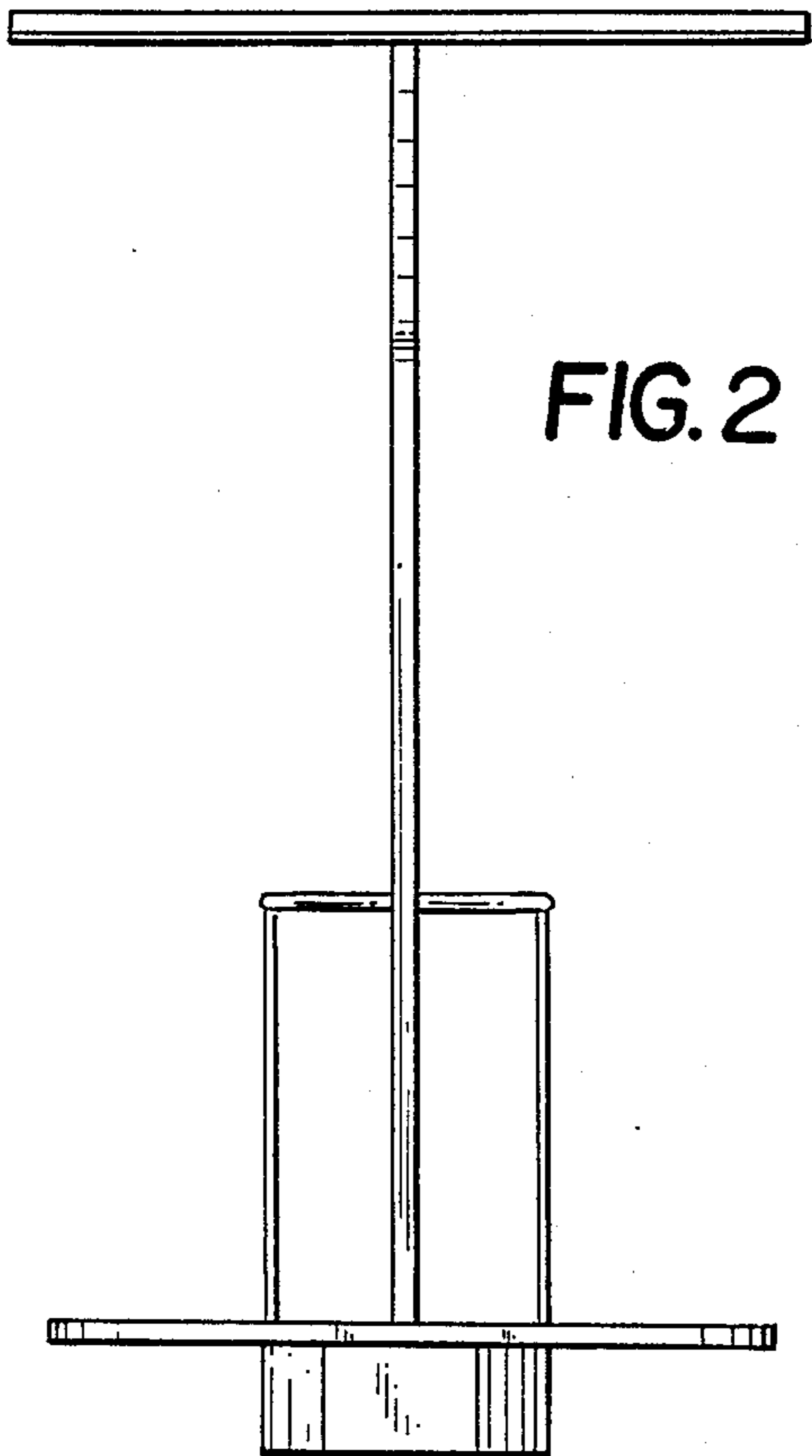
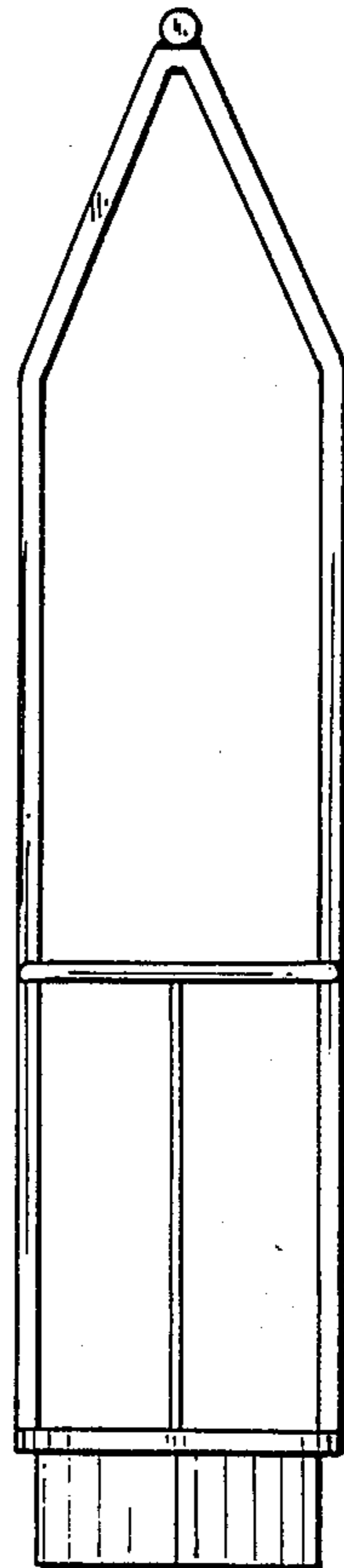


FIG. 3



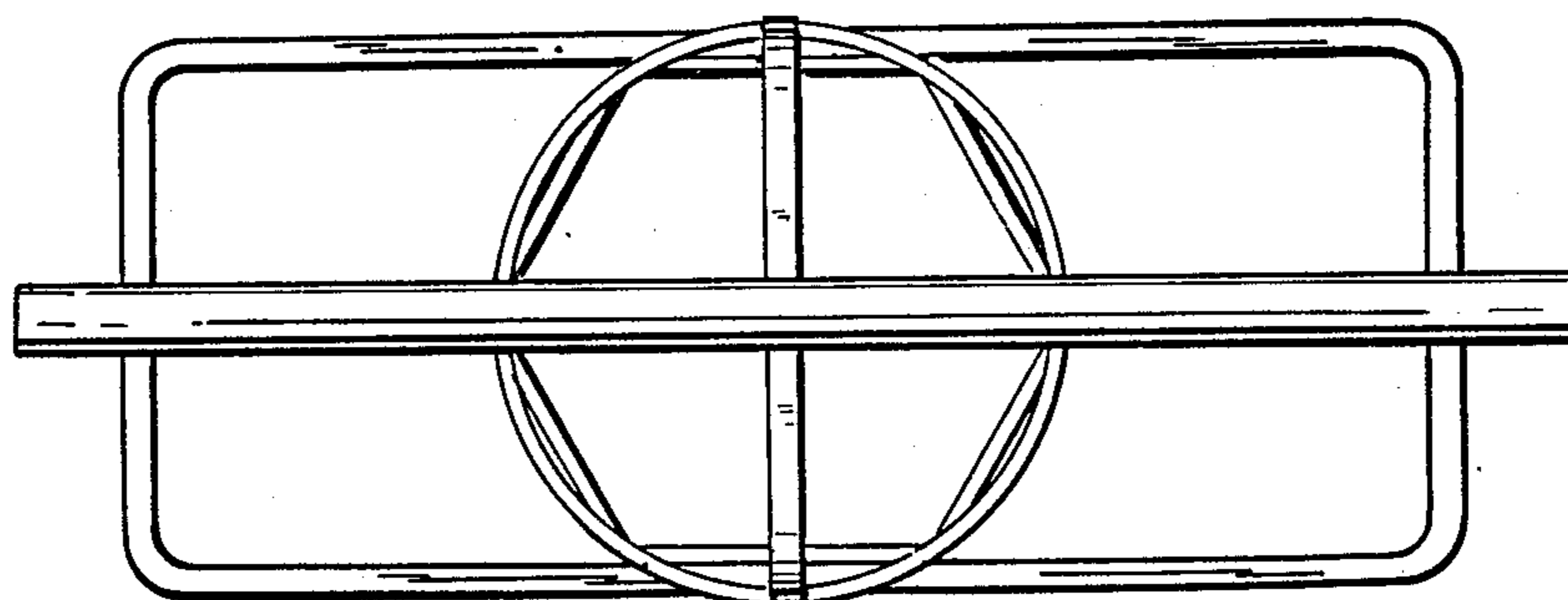


FIG. 4

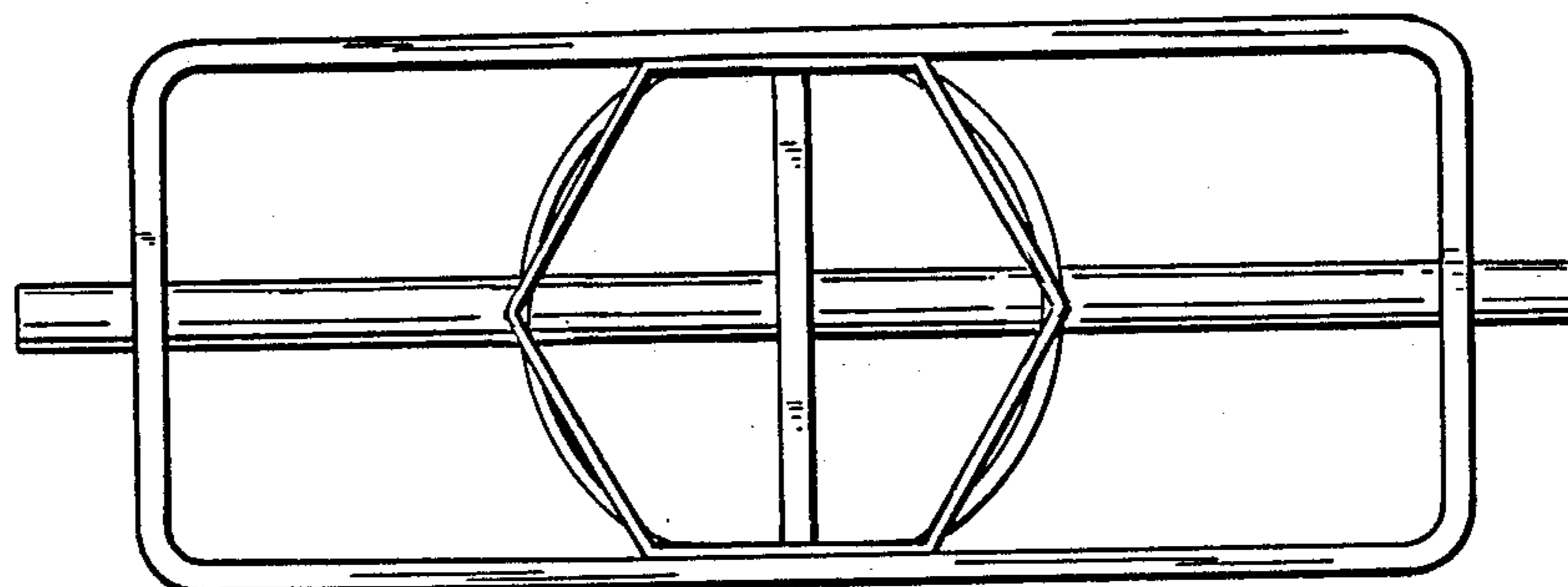


FIG. 5

FIG. 6

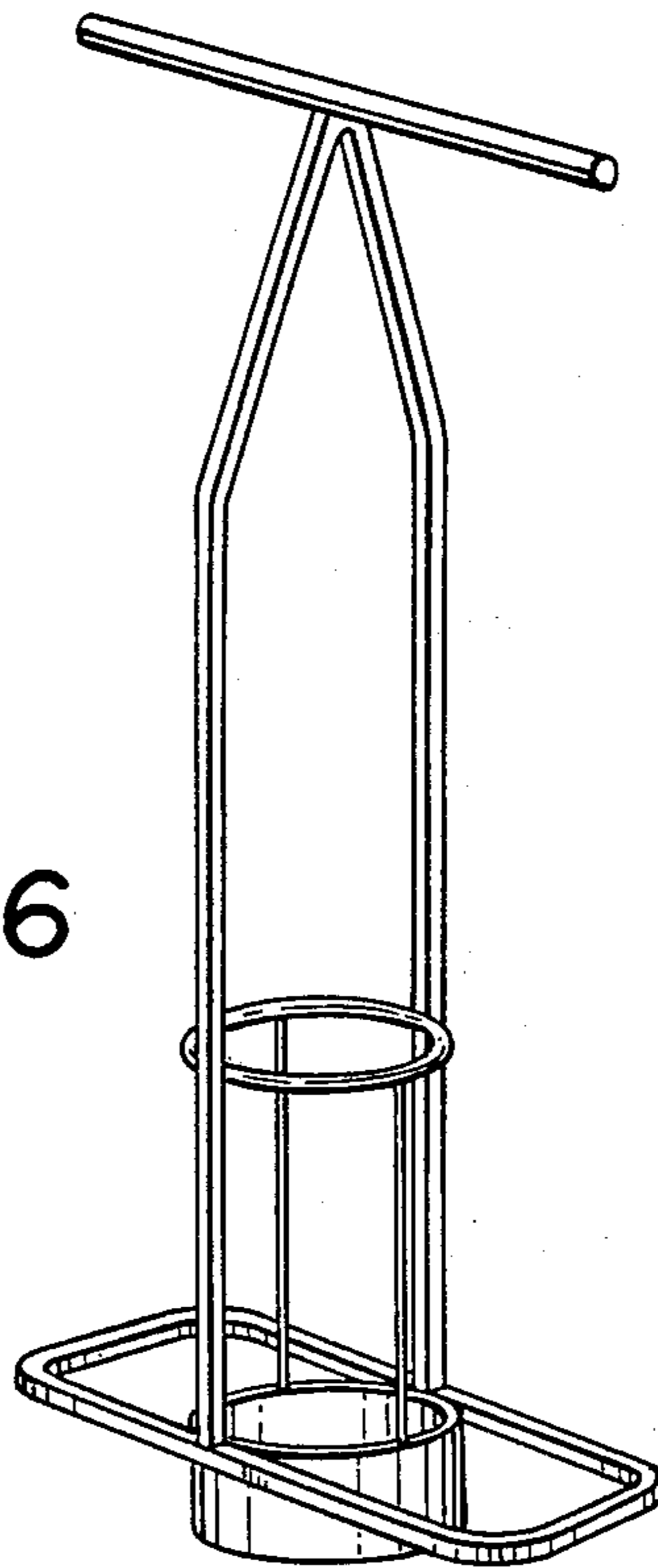


FIG. 7

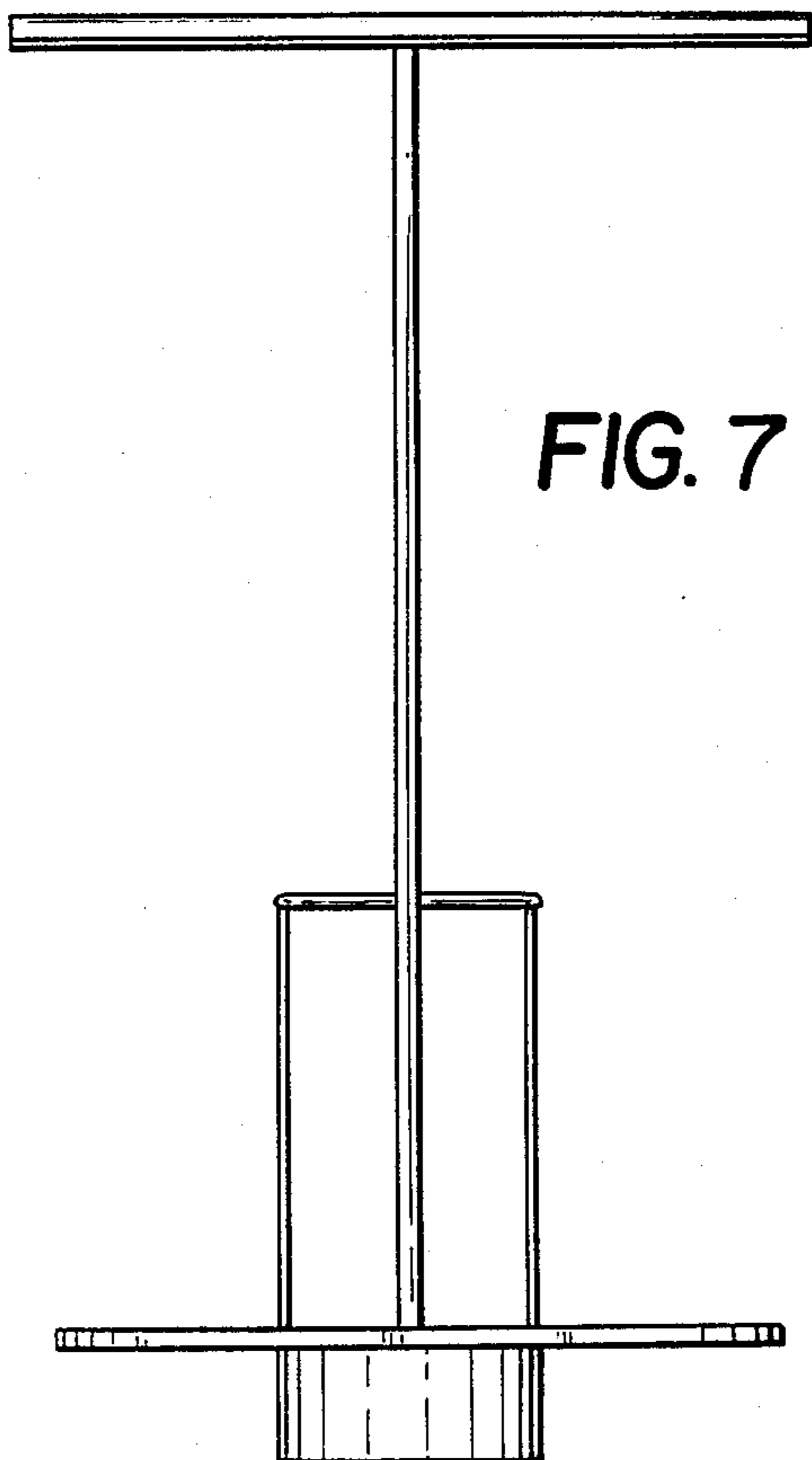
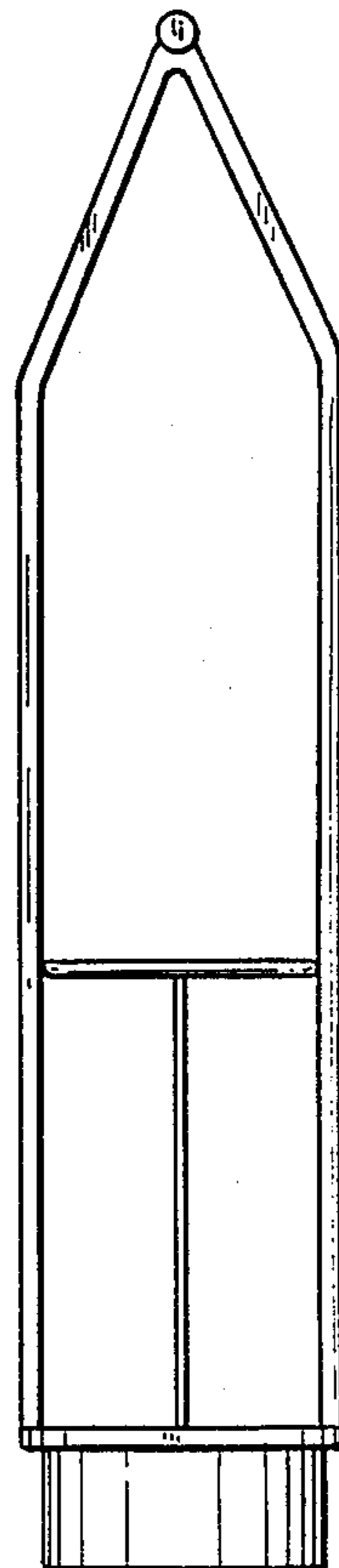


FIG. 8



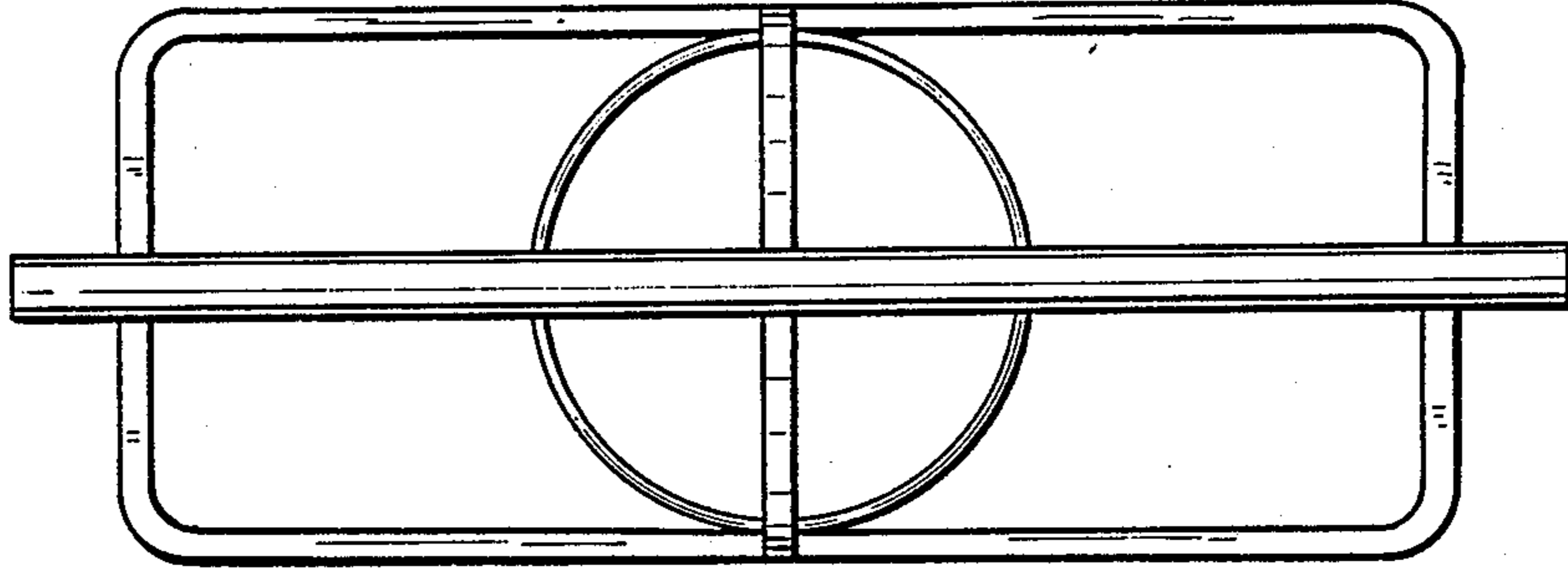


FIG. 9

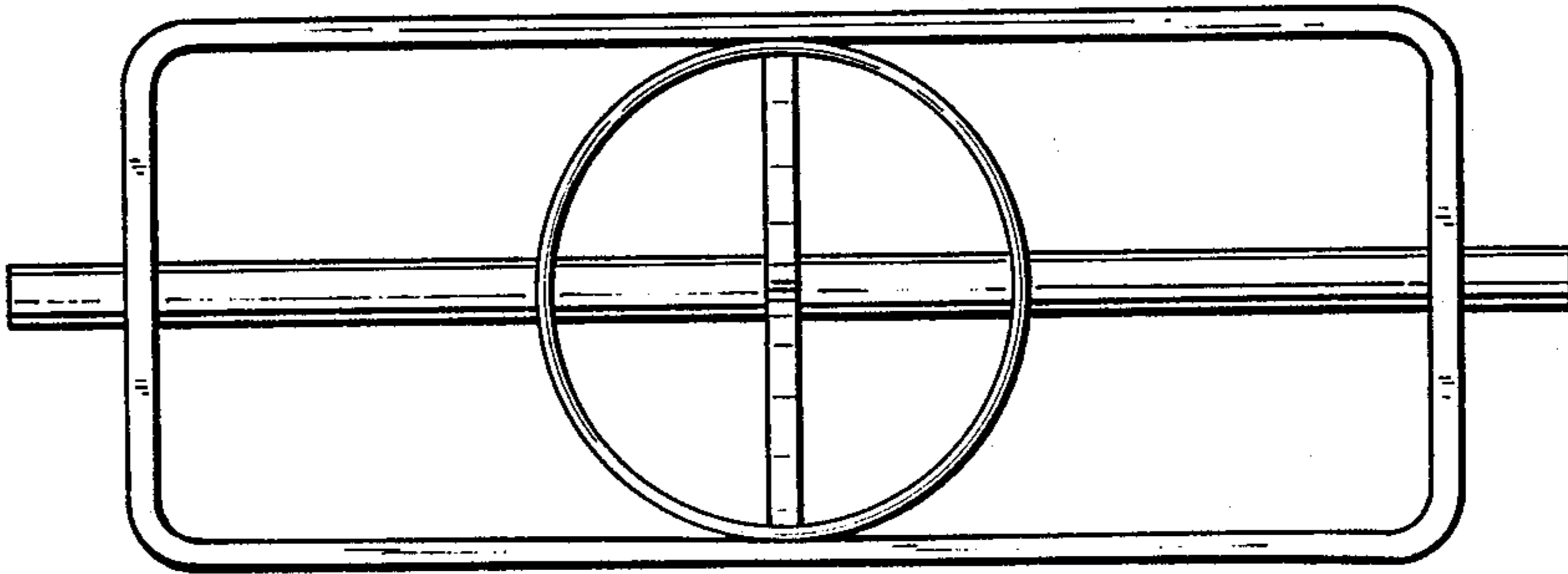


FIG. 10

FIG. 11

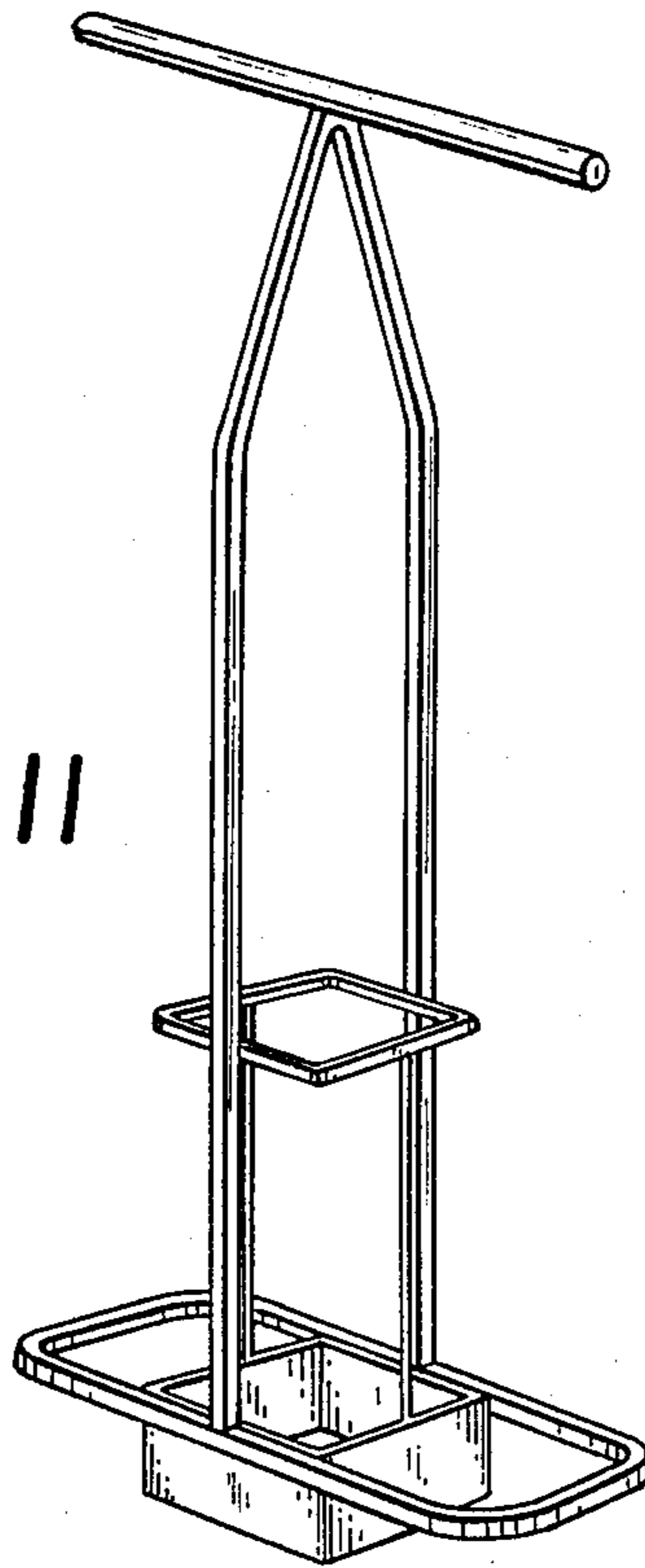


FIG. 12

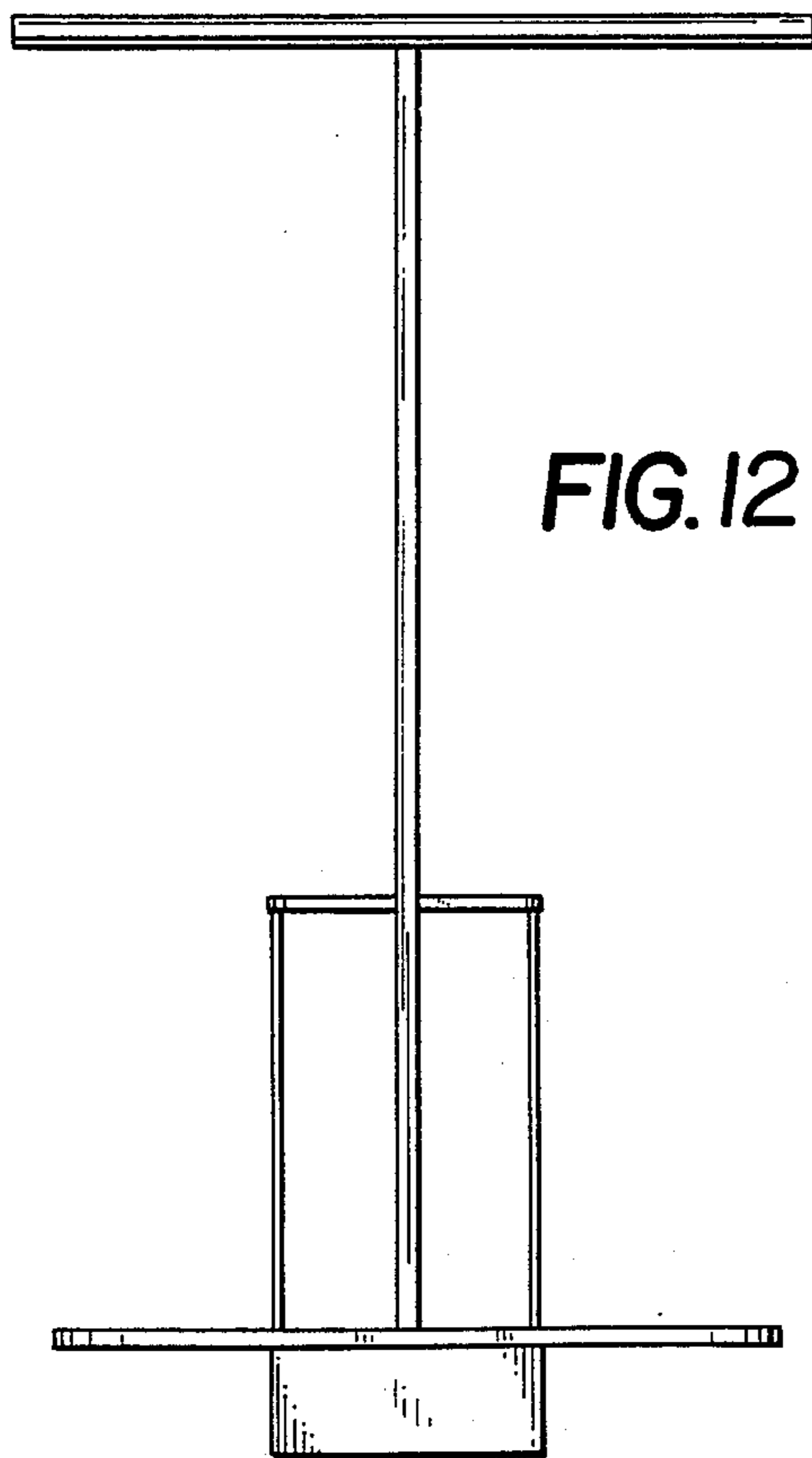
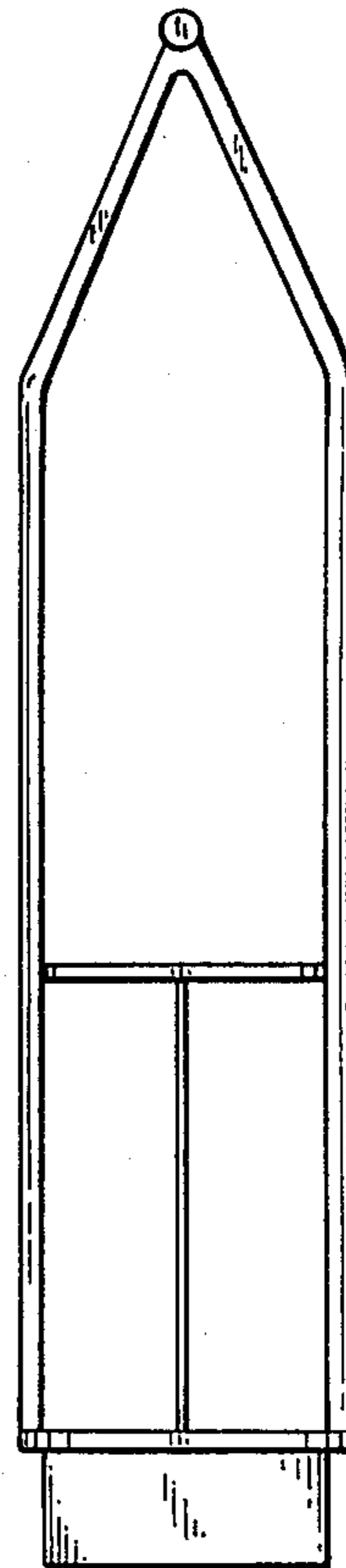


FIG. 13



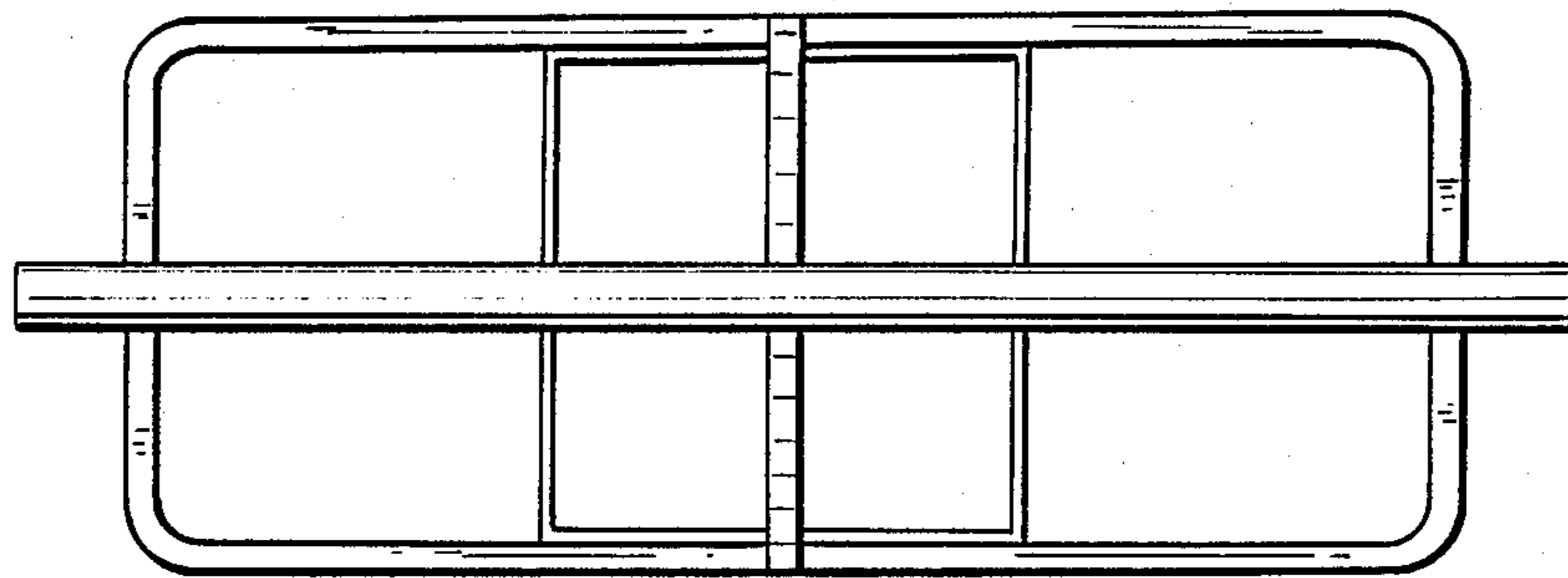


FIG. 14

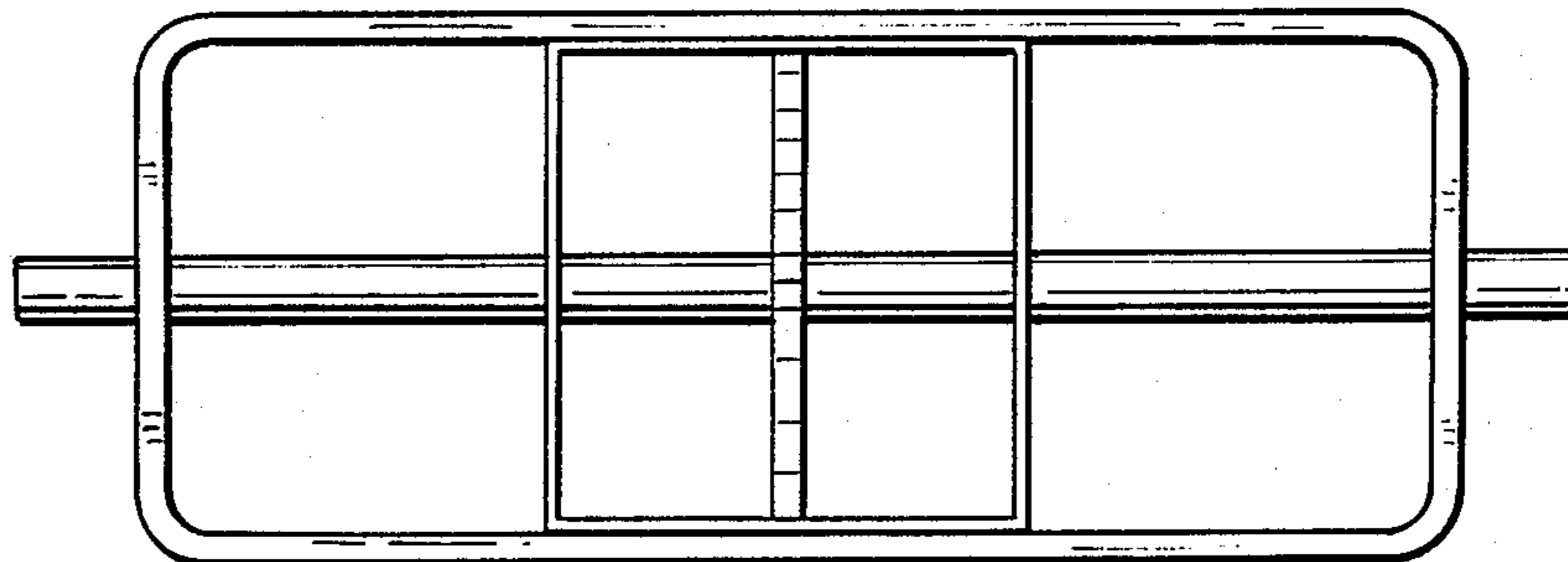


FIG. 15