

[54] COMBINED TOOTHPASTE PUMP AND TOOTHBRUSH HOLDER

[76] Inventor: Richard A. DeLeon, 17120 SW. 94 Ave., #402, Miami, Fla. 33157

[**] Term: 14 Years

[21] Appl. No.: 932,482

[22] Filed: Nov. 18, 1986

[52] U.S. Cl. D6/531; D6/524; D6/527

[58] Field of Search D6/524, 527-528, D6/531, 534-535; 211/118-119, 112-113, 13, 60.1, 65-66, 74-75, 86-87; 248/110, 311.2, 312.1

[56] References Cited

U.S. PATENT DOCUMENTS

D. 62,389 5/1923 Balmer D6/531

D. 154,464 7/1949 Day D6/531
D. 239,799 5/1976 Fentules D6/531
D. 278,586 4/1985 Thompson D6/531

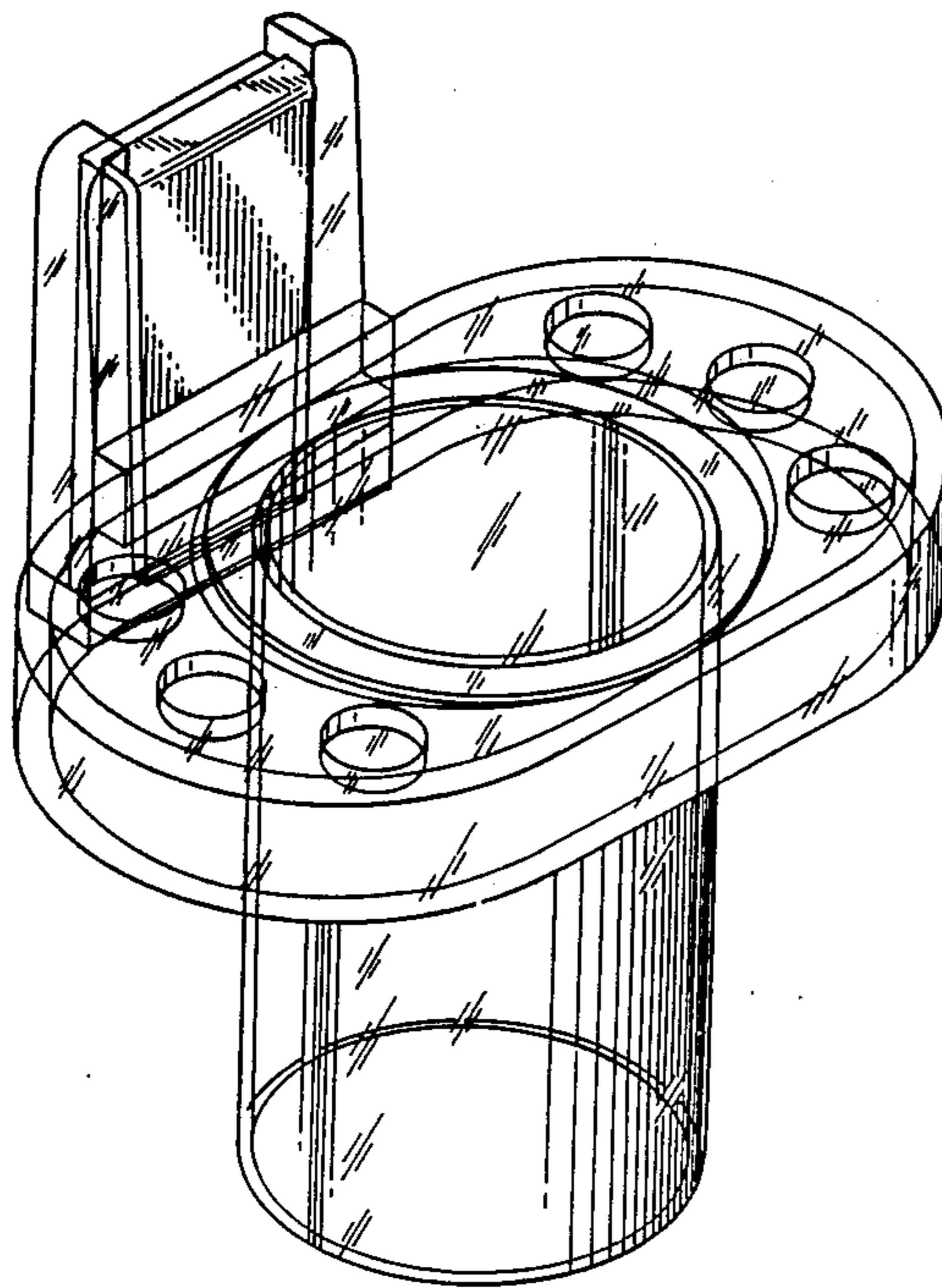
Primary Examiner—Wallace R. Burke
Assistant Examiner—Brian N. Vinson
Attorney, Agent, or Firm—Malin, Haley & McHale

[57] CLAIM

The ornamental design for a combined toothpaste pump and toothbrush holder, as shown and described.

DESCRIPTION

FIG. 1 is a top plan view of a combined toothpaste pump and toothbrush holder showing my new design; FIG. 2 is a right side elevation view thereof, with the left side being a mirror image; FIG. 3 is a rear elevational view thereof; FIG. 4 is a front elevational view thereof; FIG. 5 is a bottom plan view thereof; and FIG. 6 is a perspective view thereof.



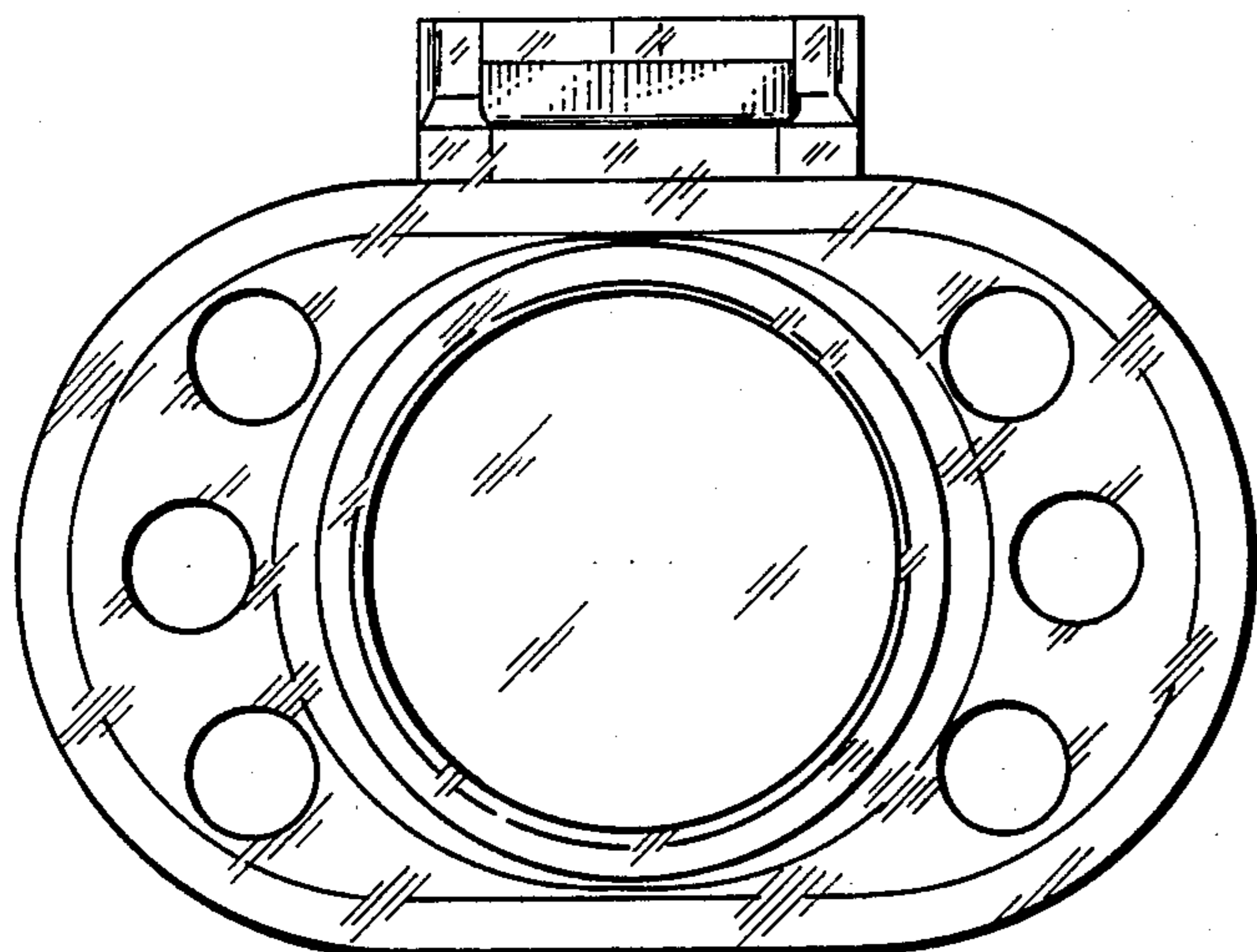


FIG. 1

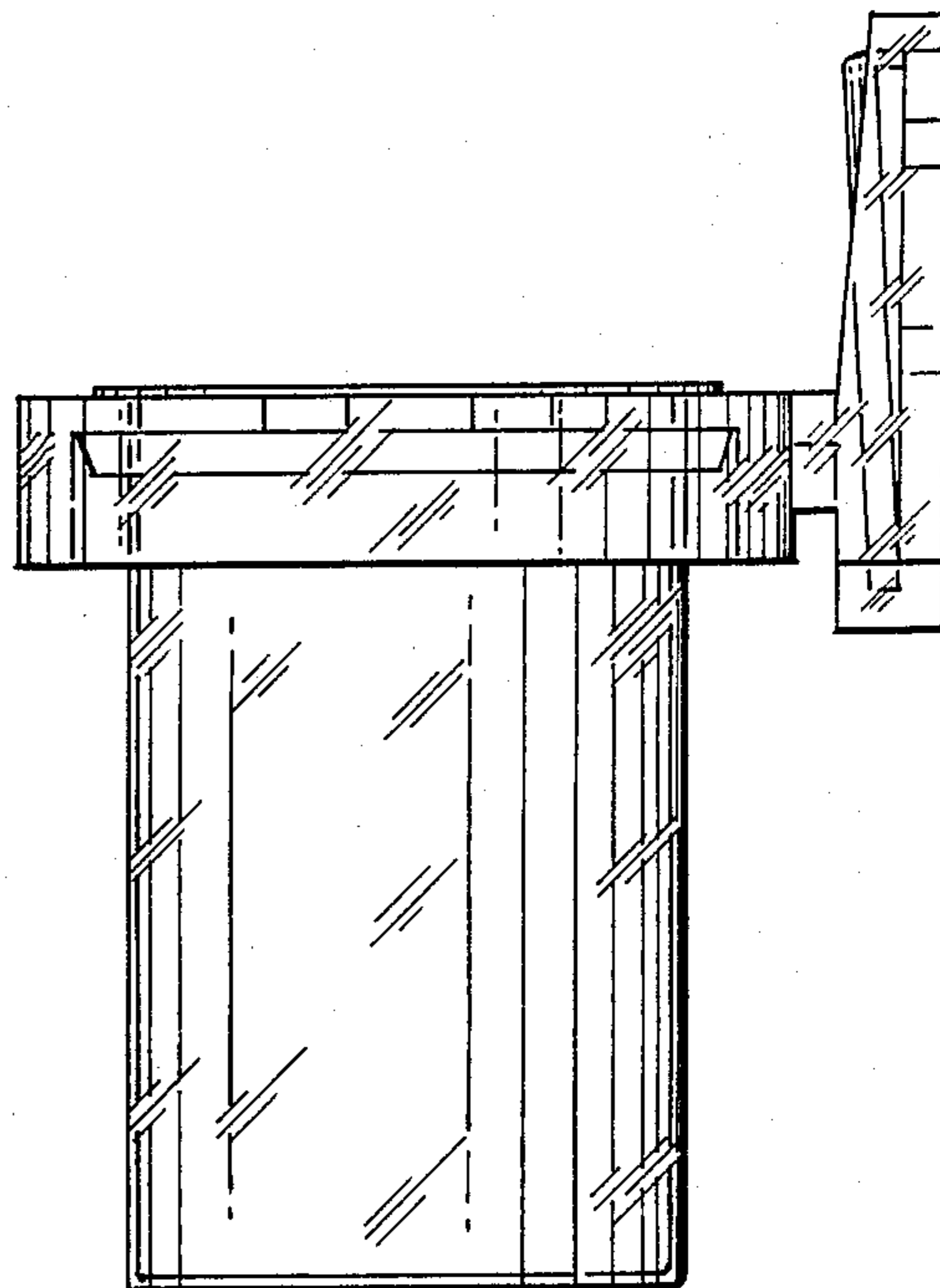


FIG. 2

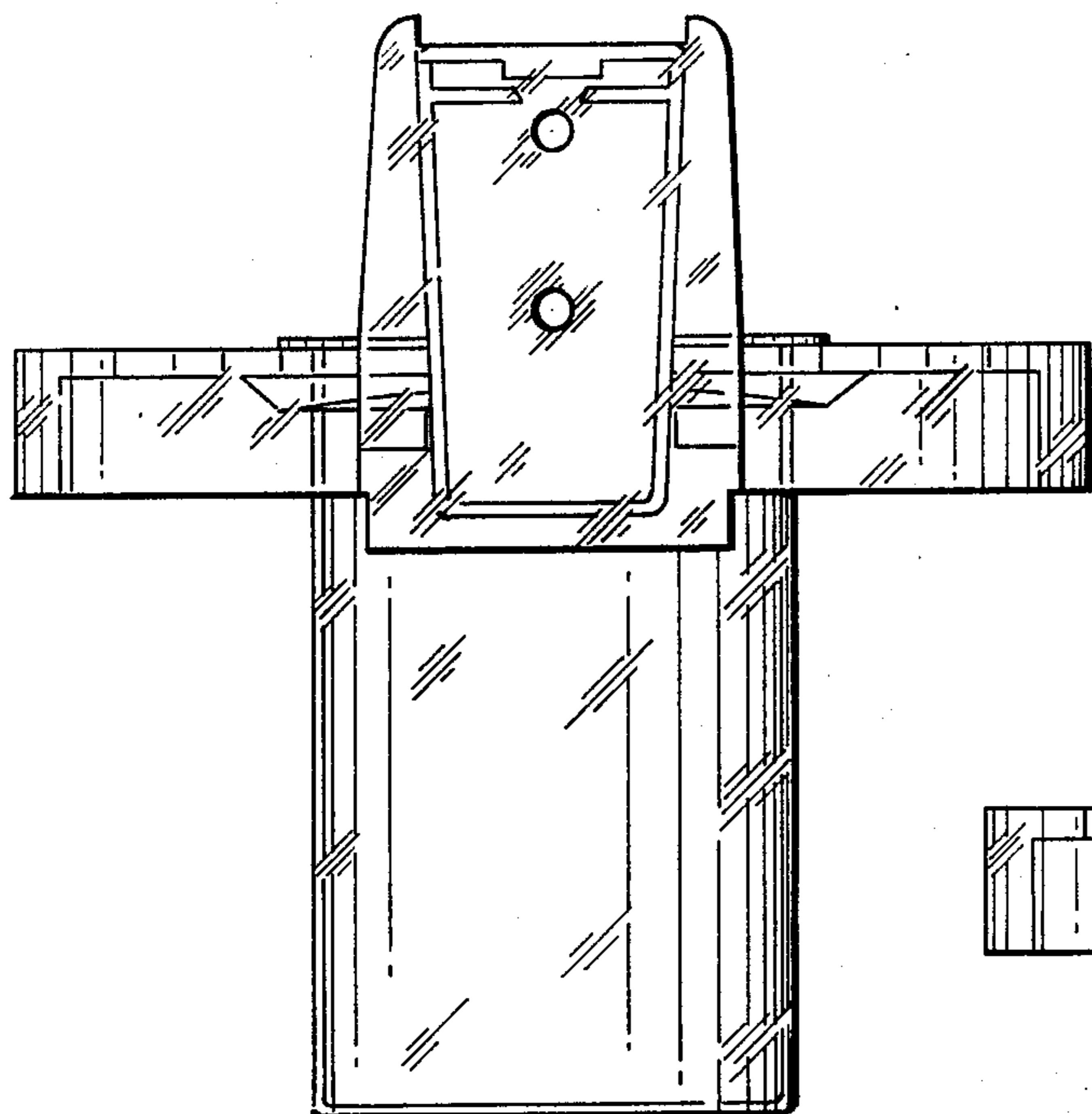


FIG. 3

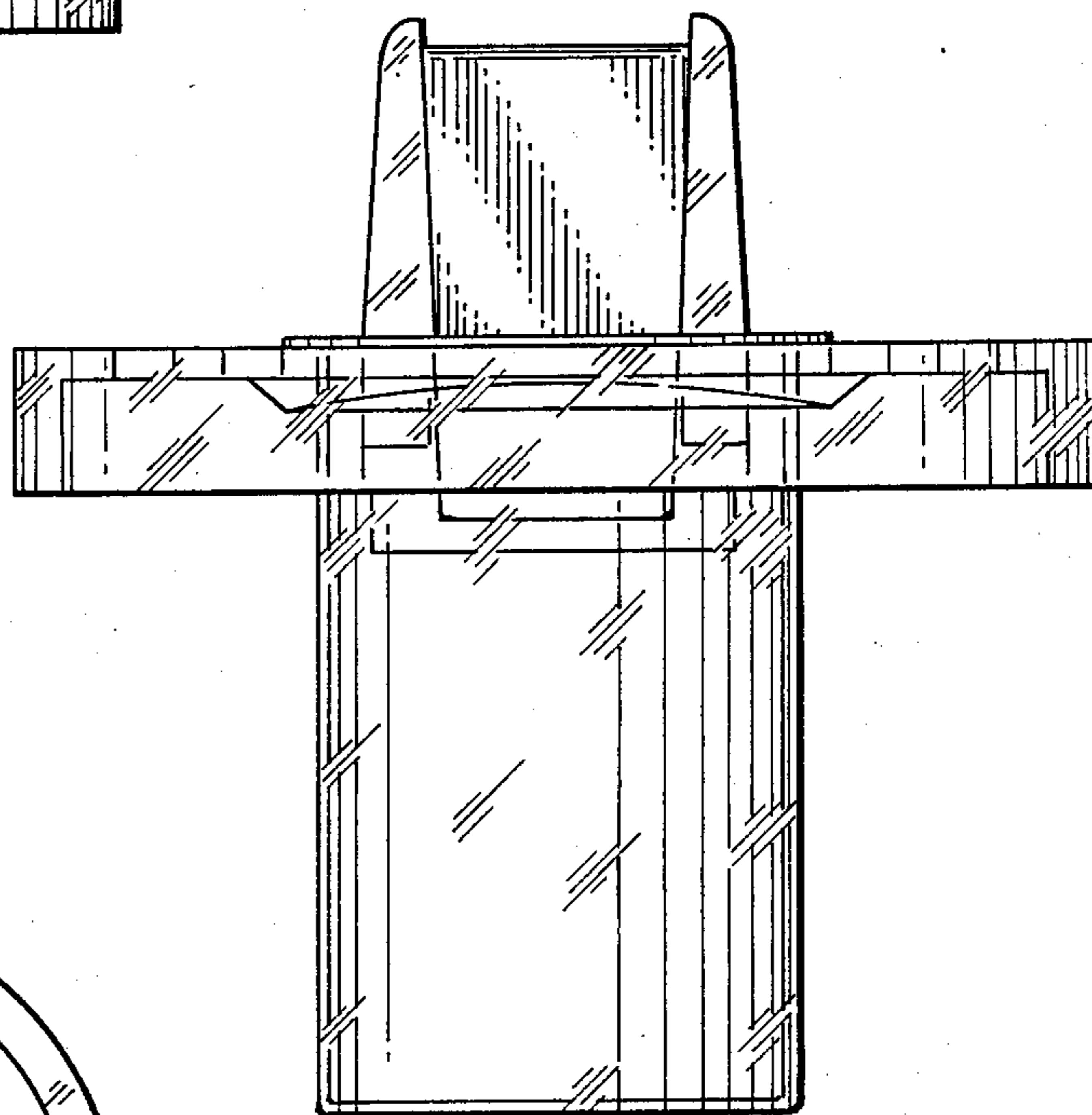


FIG. 4

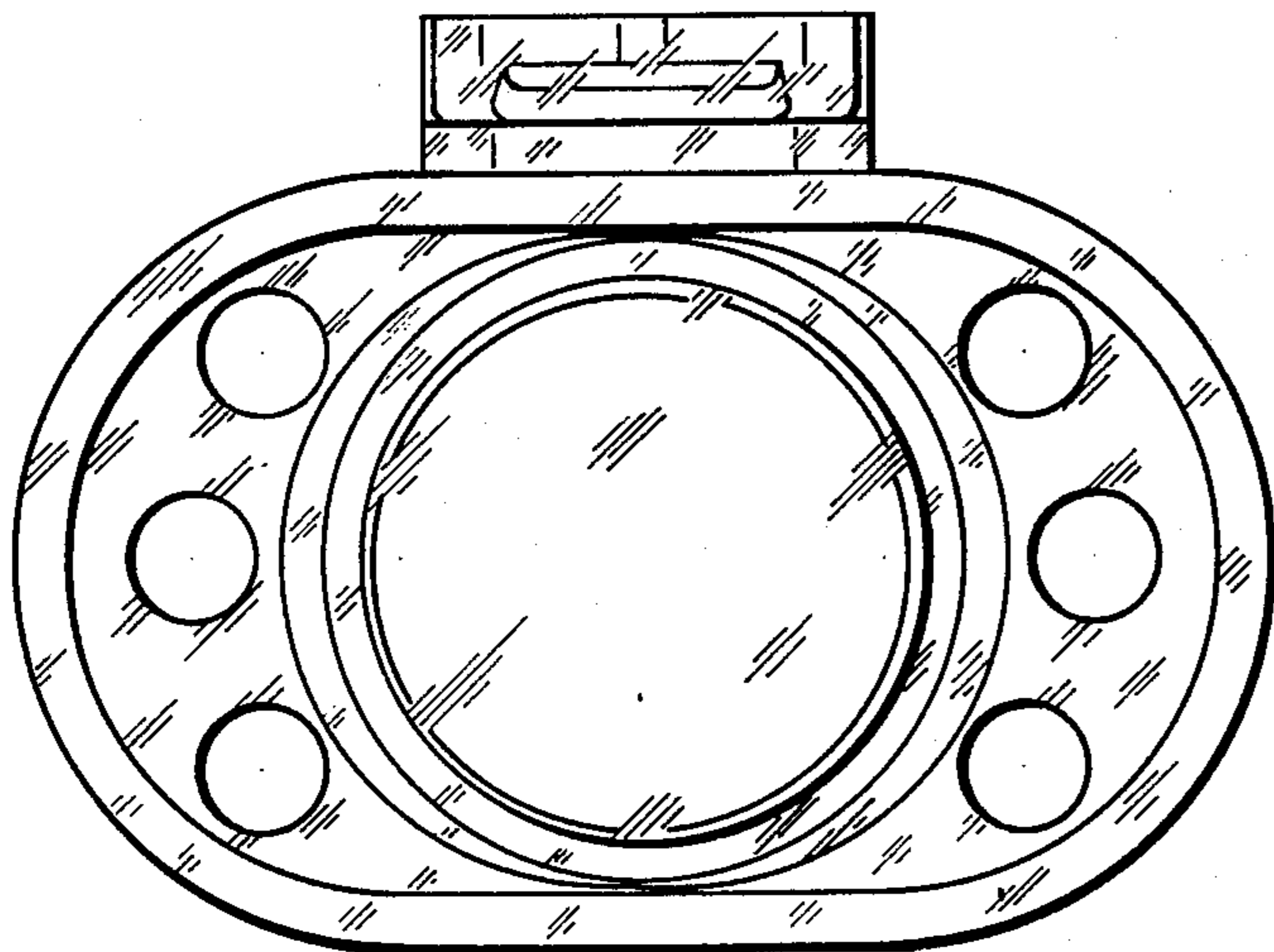


FIG. 5

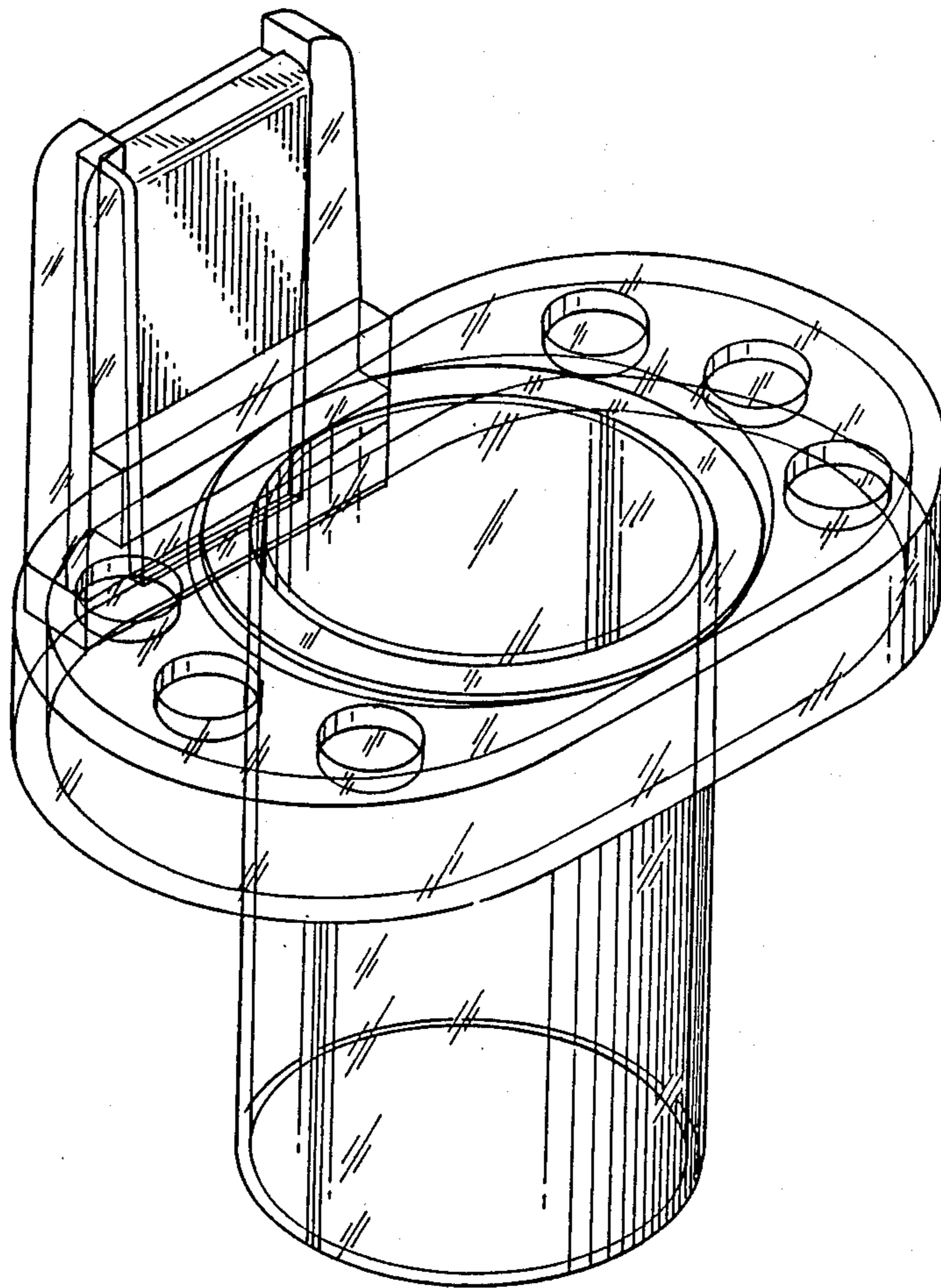


FIG. 6