

[54] **FAUCET DISPLAY STAND**

[75] **Inventor: Charles P. Hill, Indianapolis, Ind.**

[73] **Assignee: Masco Corporation of Indiana, Indianapolis, Ind.**

[**] **Term: 14 Years**

[21] **Appl. No.: 42,643**

[22] **Filed: Apr. 27, 1987**

[52] **U.S. Cl. D6/467; D9/415**

[58] **Field of Search D6/449, 467; D9/415, D9/433, 418, 345; 206/45.33, 45.31, 45.14, 45**

[56] **References Cited**

U.S. PATENT DOCUMENTS

D. 211,321	6/1968	Ullmann	D9/418
D. 217,131	4/1970	Shreve, III et al.	D9/418
D. 269,836	7/1983	Pruzan	D6/467
D. 278,126	3/1985	Benham	D9/418
D. 295,960	5/1988	Pugh	D9/418

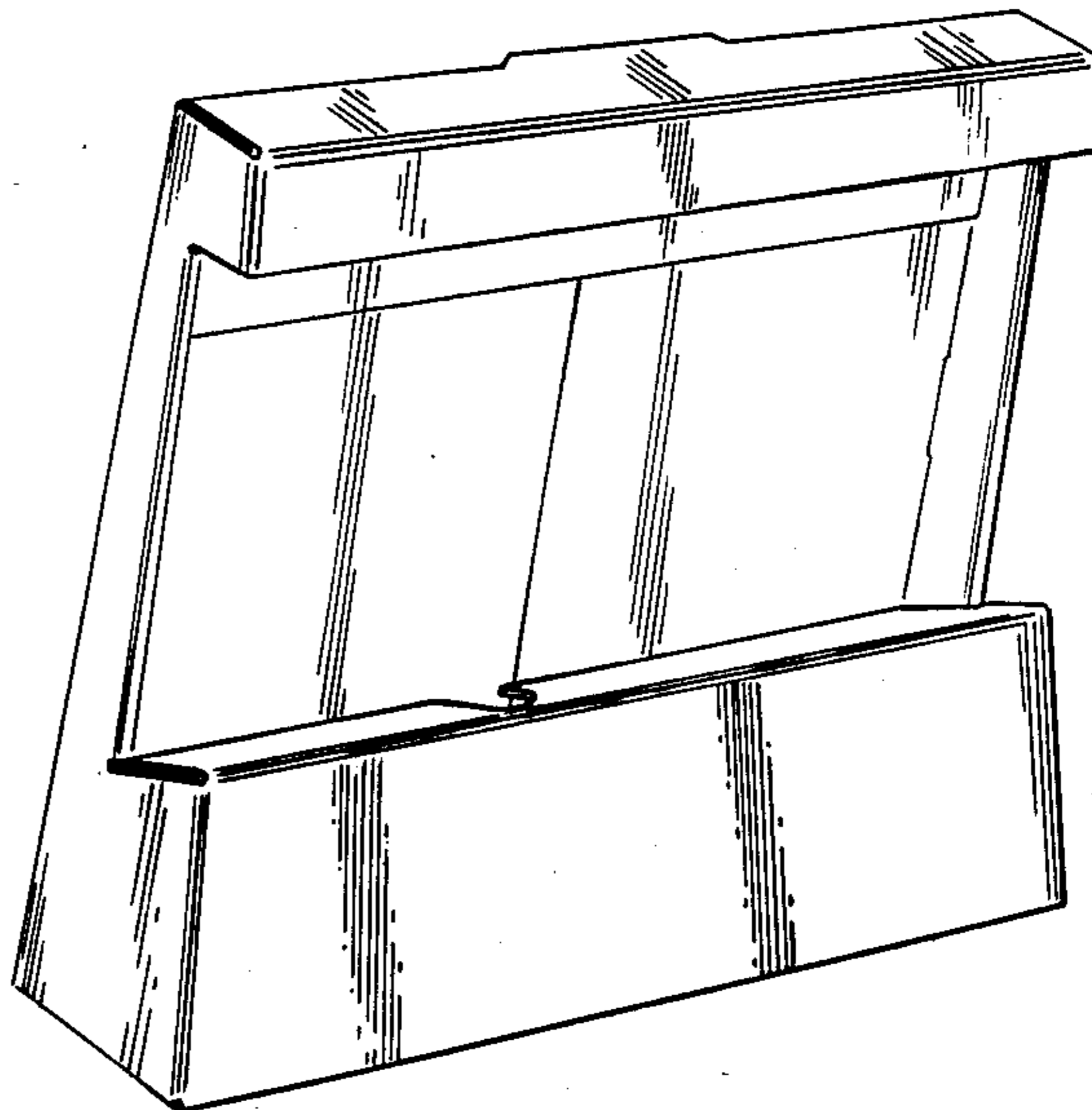
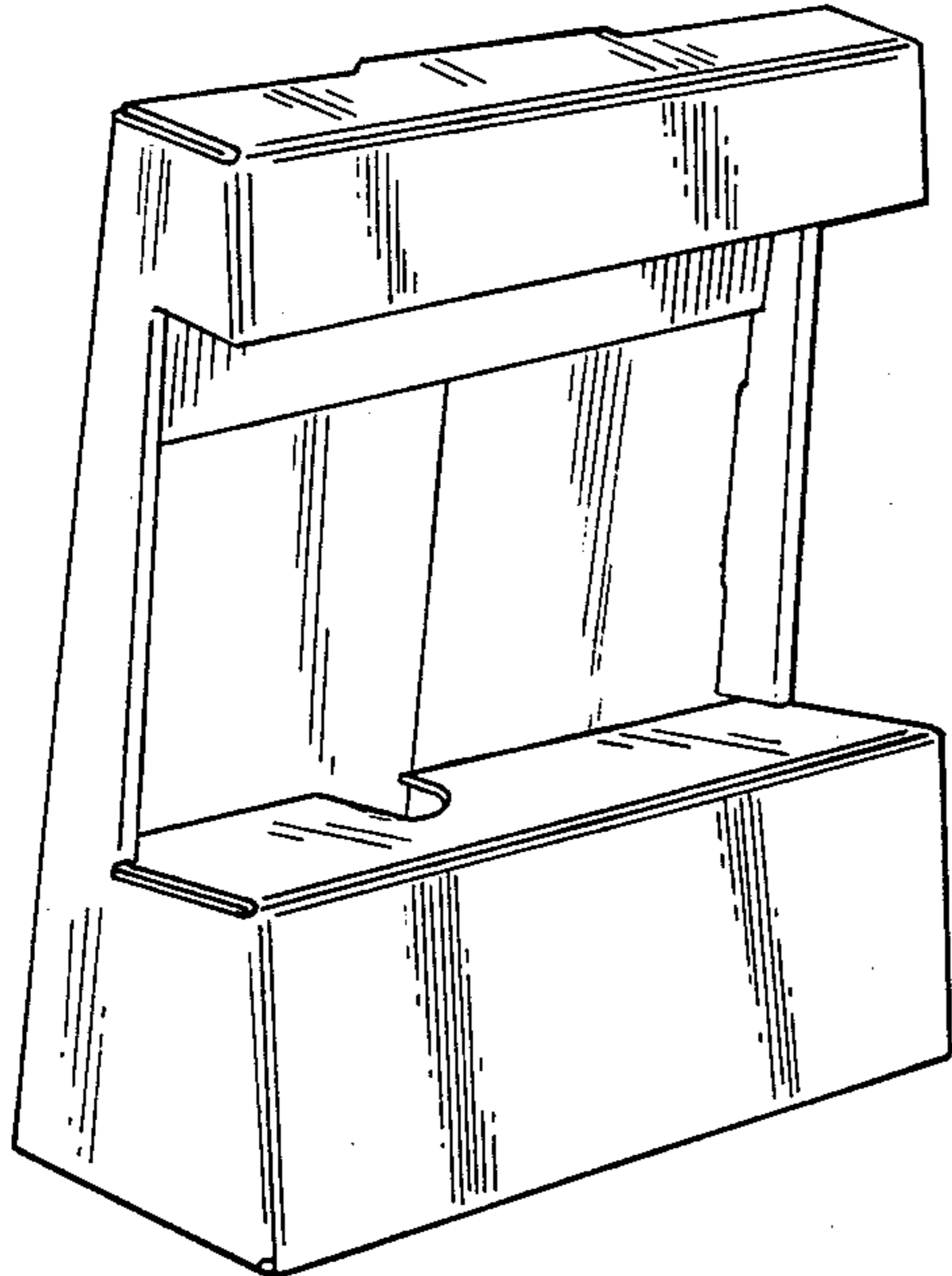
Primary Examiner—Carmen H. Vales-Lado
Attorney, Agent, or Firm—Edgar A. Zarins; Malcolm L. Sutherland

[57] **CLAIM**

The ornamental design for a faucet display stand, as shown and described.

DESCRIPTION

FIG. 1 is a perspective view of a faucet display stand showing my new design;
FIG. 2 is a top plan view thereof;
FIG. 3 is a front elevational view thereof;
FIG. 4 is a bottom plan view thereof;
FIG. 5 is an enlarged cross sectional view taken along line 5—5 of FIG. 3, the stand broken away for convenience of illustration;
FIG. 6 is a left side elevational view thereof;
FIG. 7 is a rear elevational view thereof;
FIG. 8 is a cross-sectional view taken along line 8—8 of FIG. 7;
FIG. 9 is a perspective view of a modified form of the faucet display stand shown in FIG. 1;
FIG. 10 is a top plan view thereof;
FIG. 11 is a front elevational view thereof;
FIG. 12 is a right side elevational view thereof;
FIG. 13 is a rear elevational view thereof;
FIG. 14 is a bottom plan view thereof;
FIG. 15 is an enlarged cross-sectional view taken along line 15—15 of FIG. 11, the stand shown broken-away for convenience of illustration; and
FIG. 16 is a cross-sectional view taken along line 16—16 of FIG. 11.



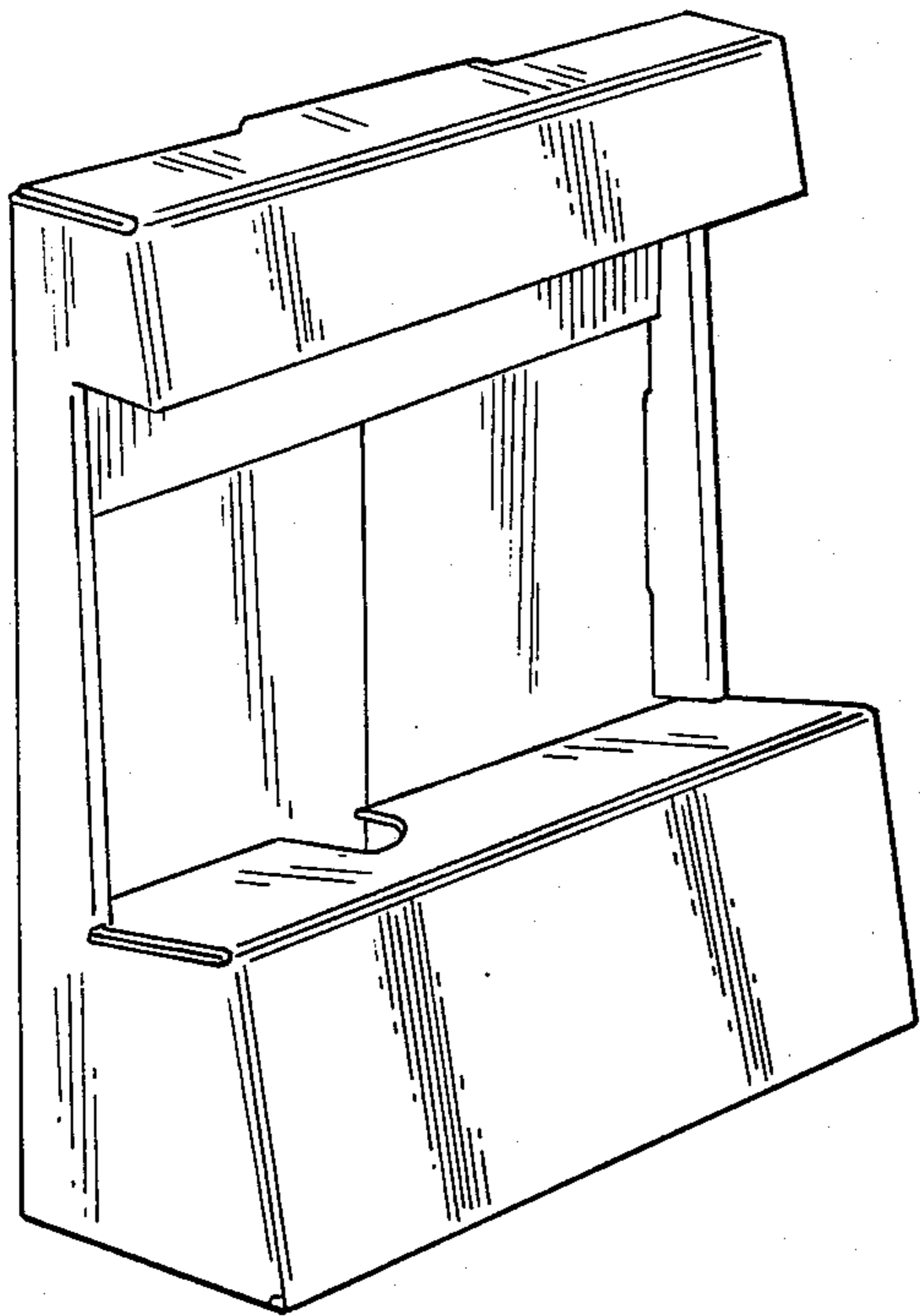


Fig-1

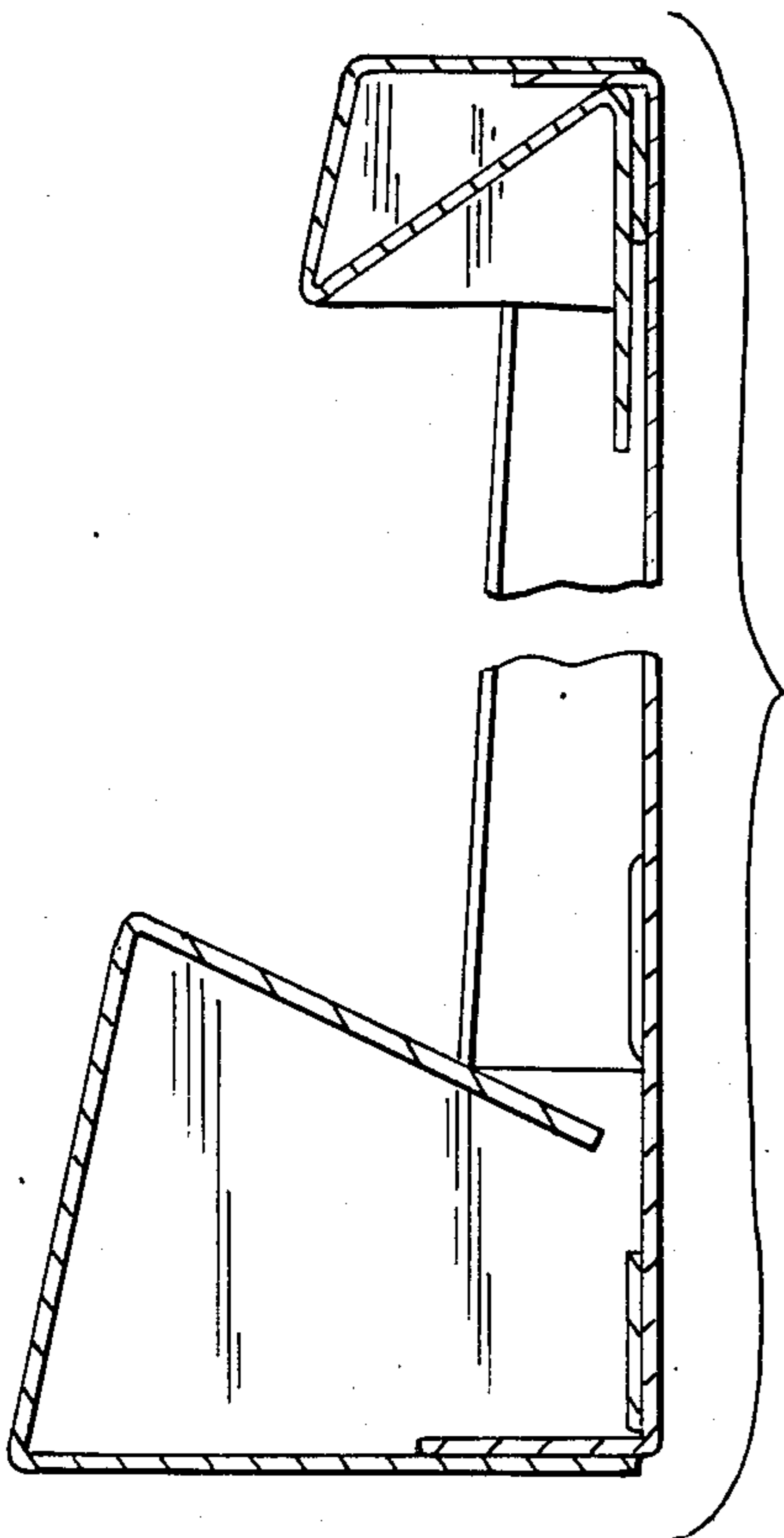
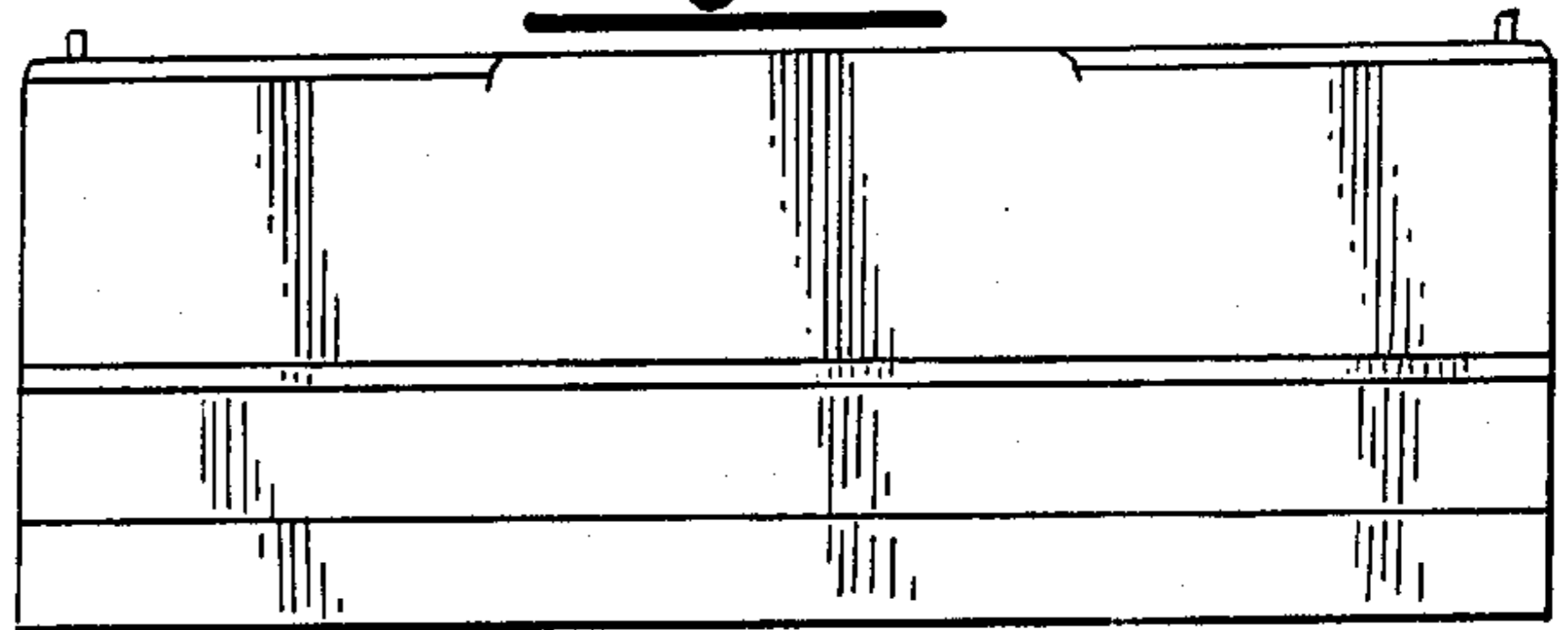


Fig-5

Fig-2



← 5

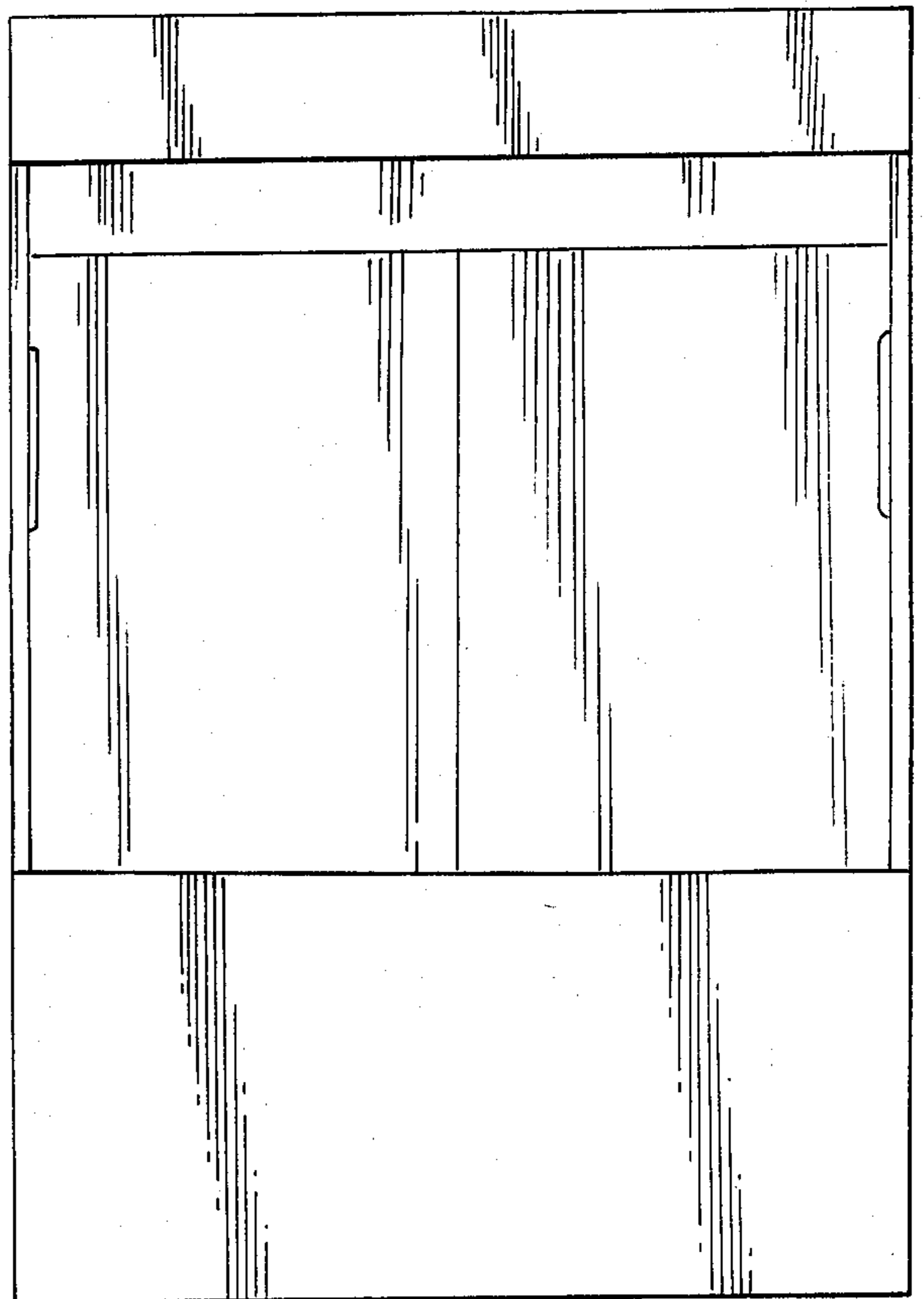


Fig-3

← 5

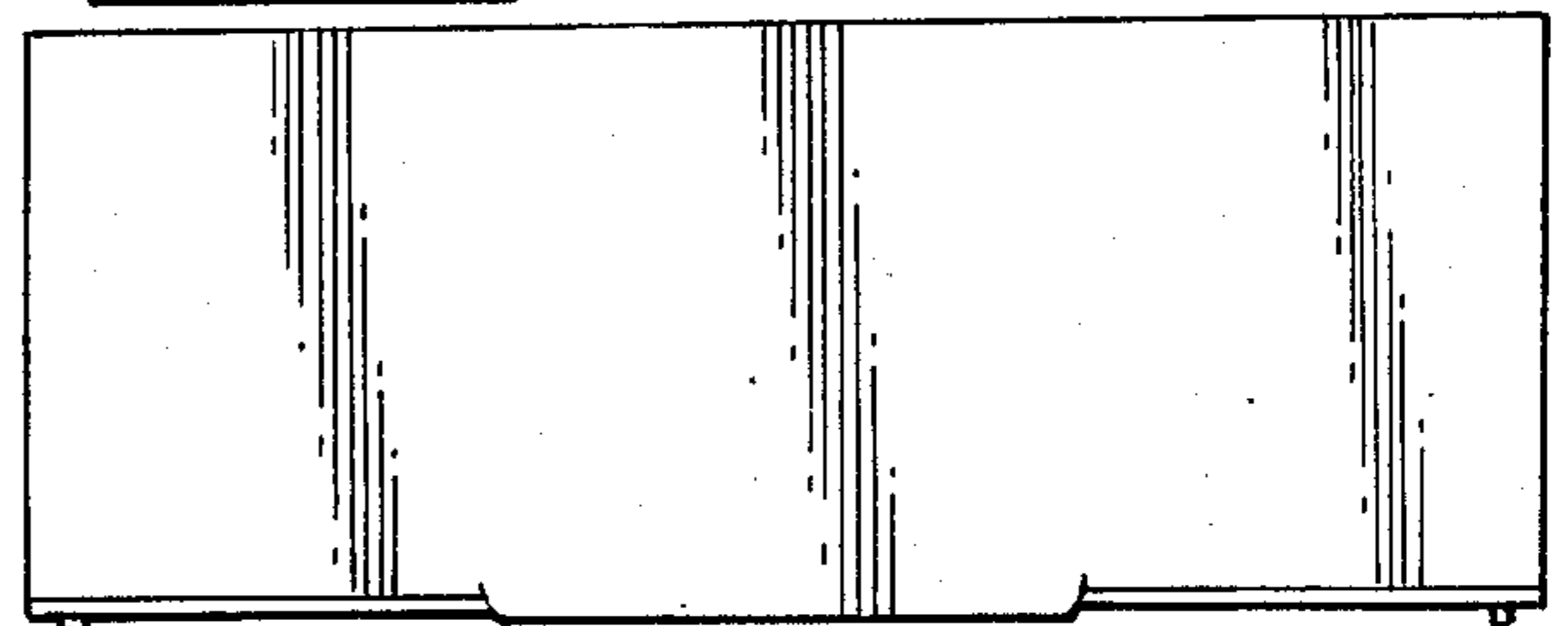


Fig-4

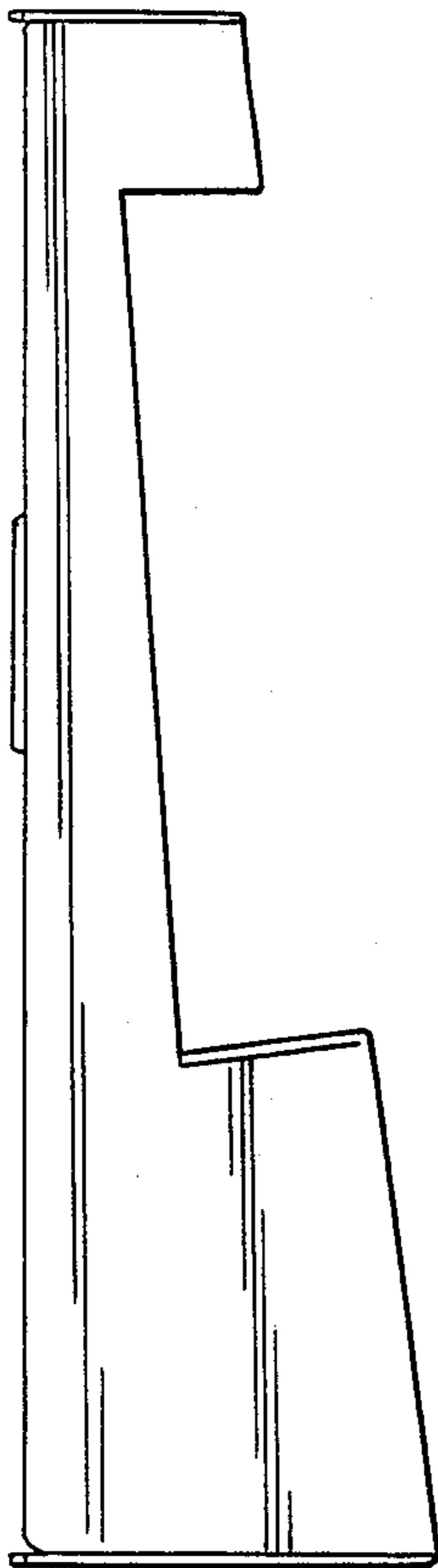


Fig-6

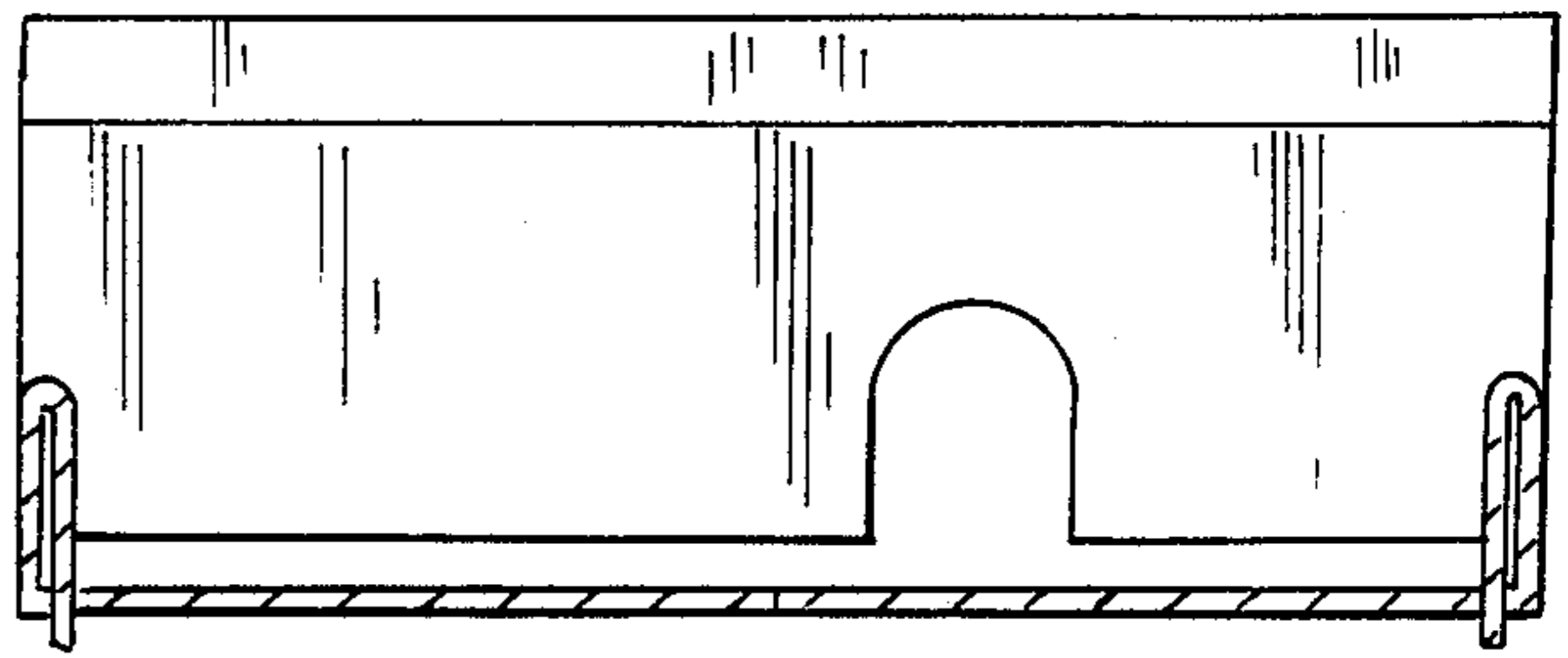


Fig-8

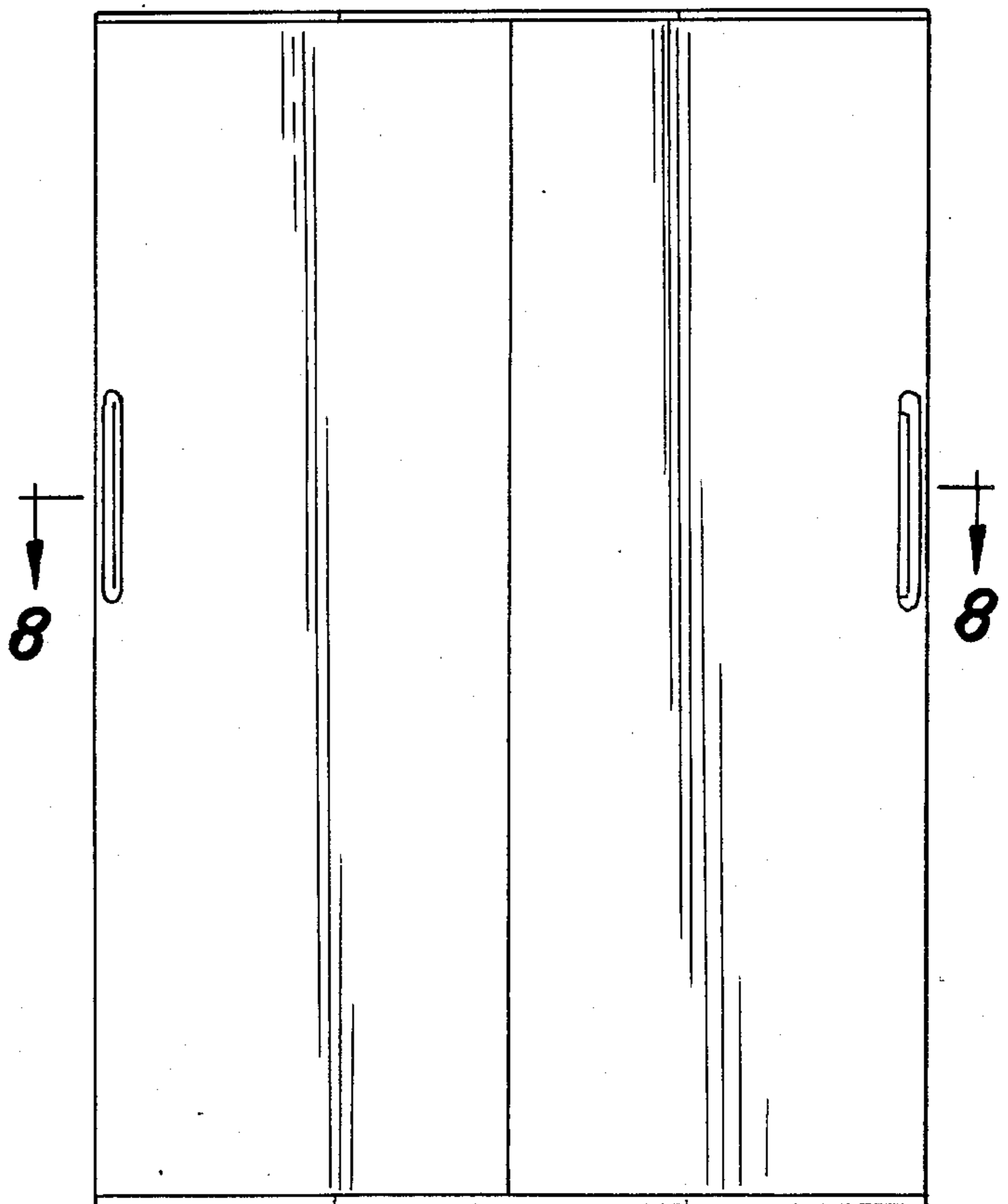


Fig-7

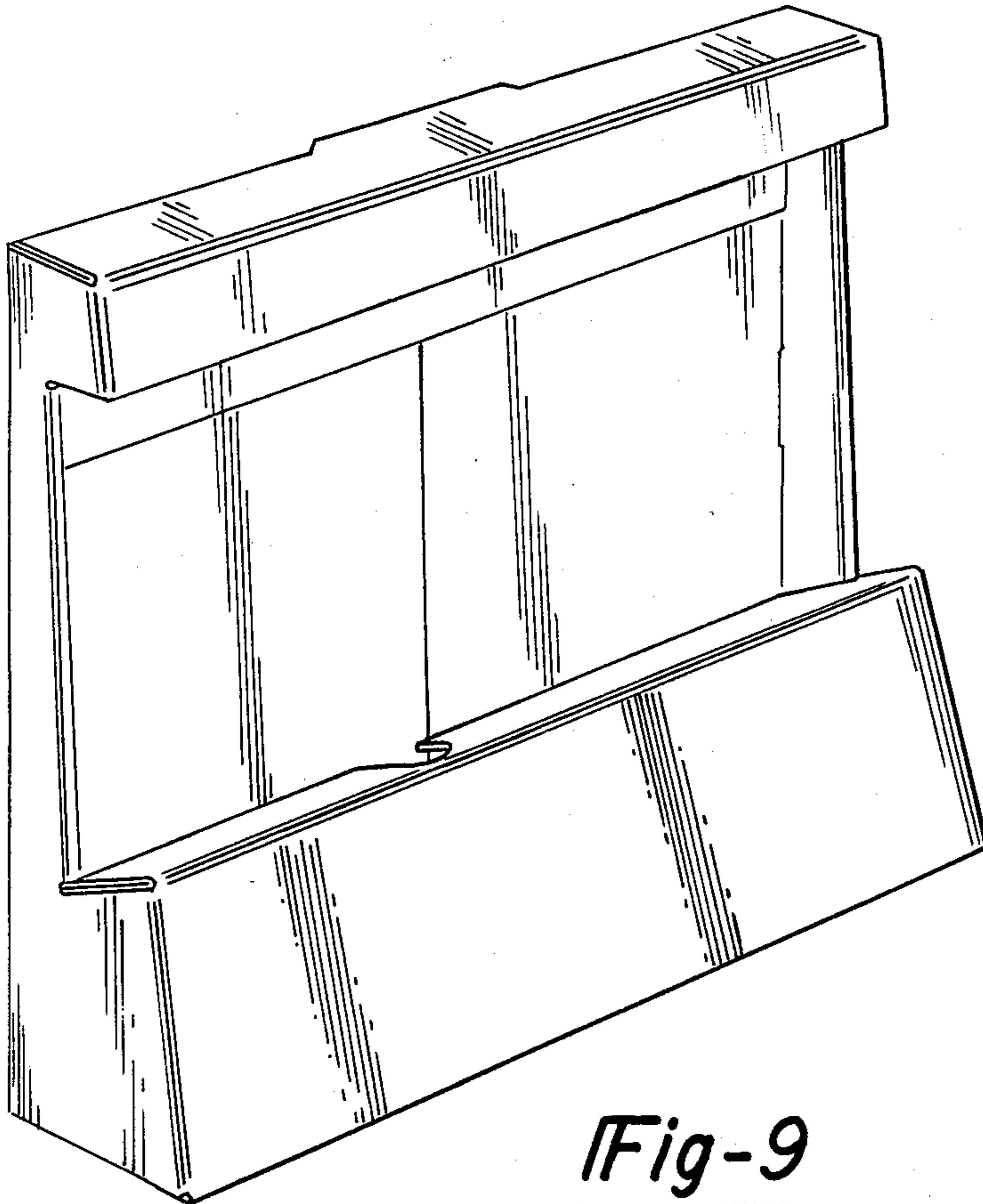


Fig-9

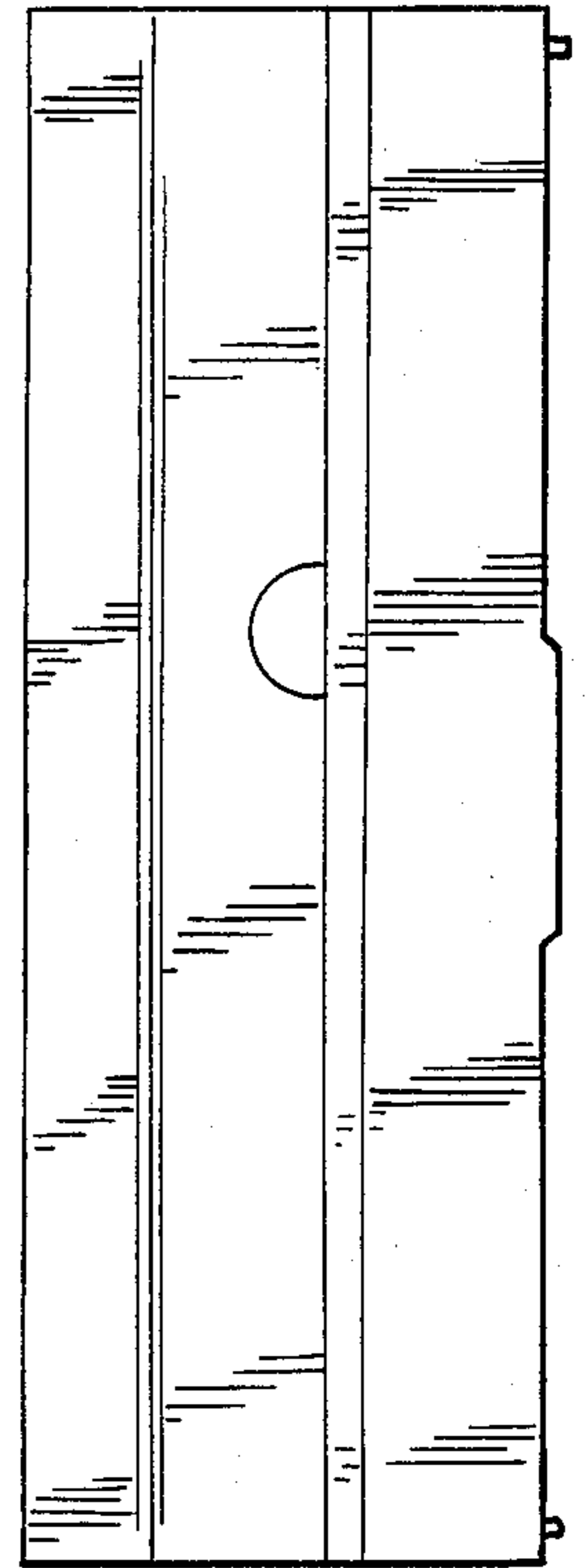


Fig-10

Fig-11 ← 15

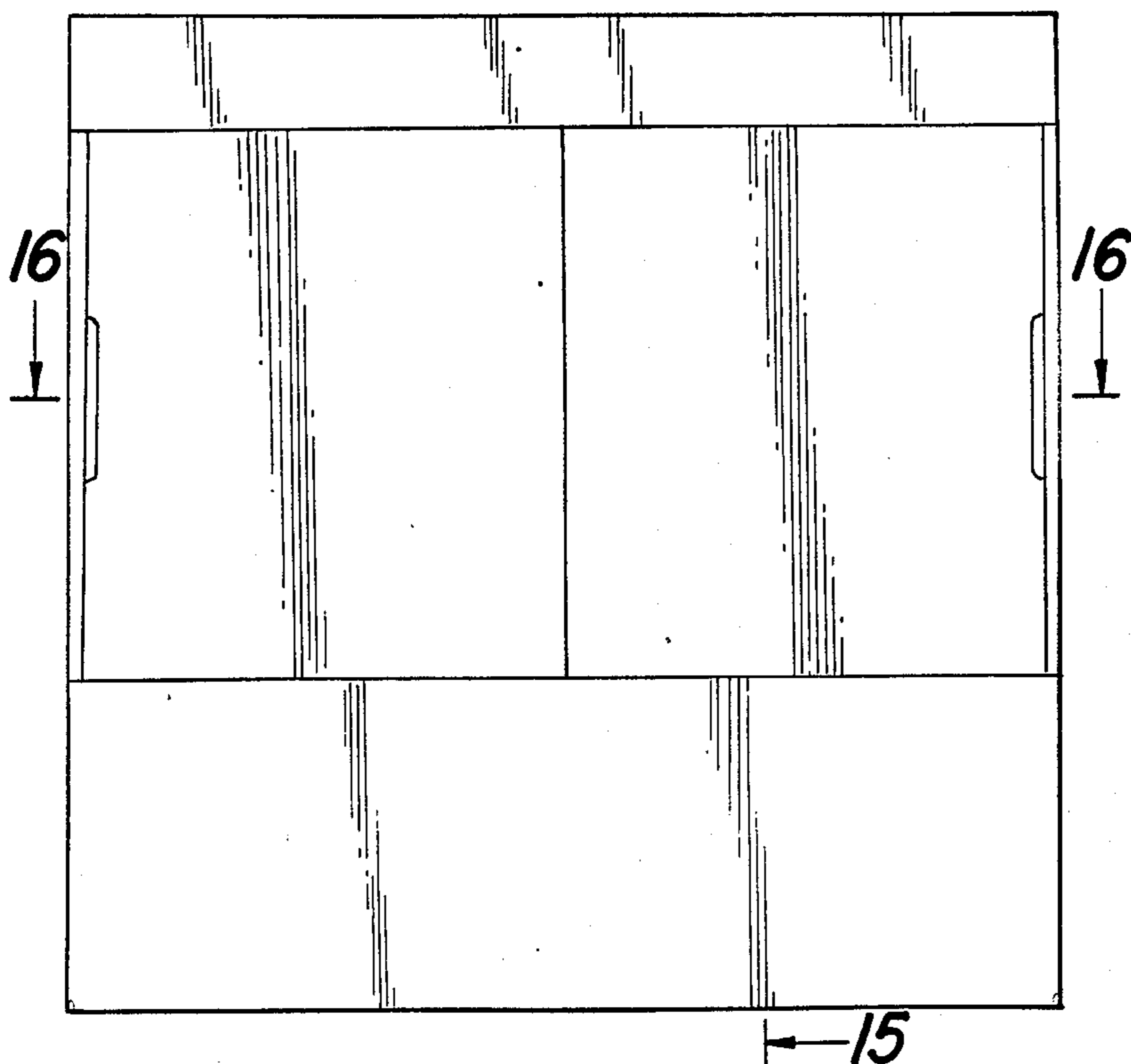


Fig-12

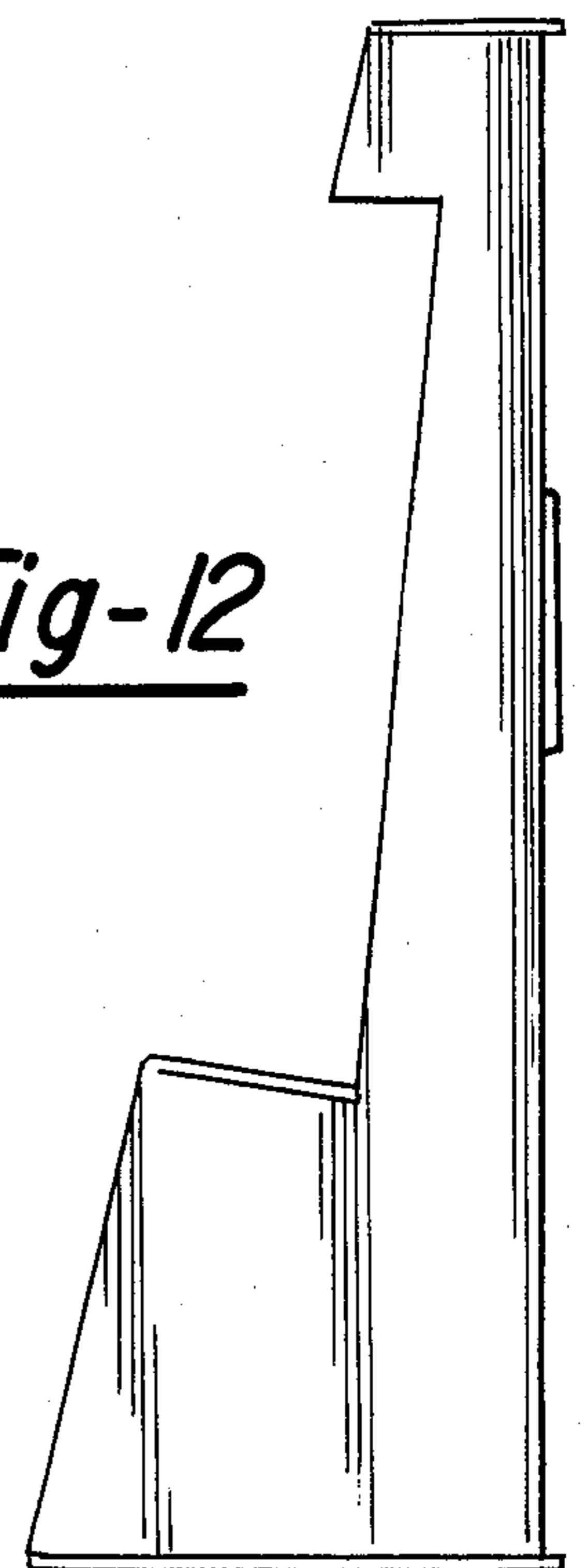


Fig-13

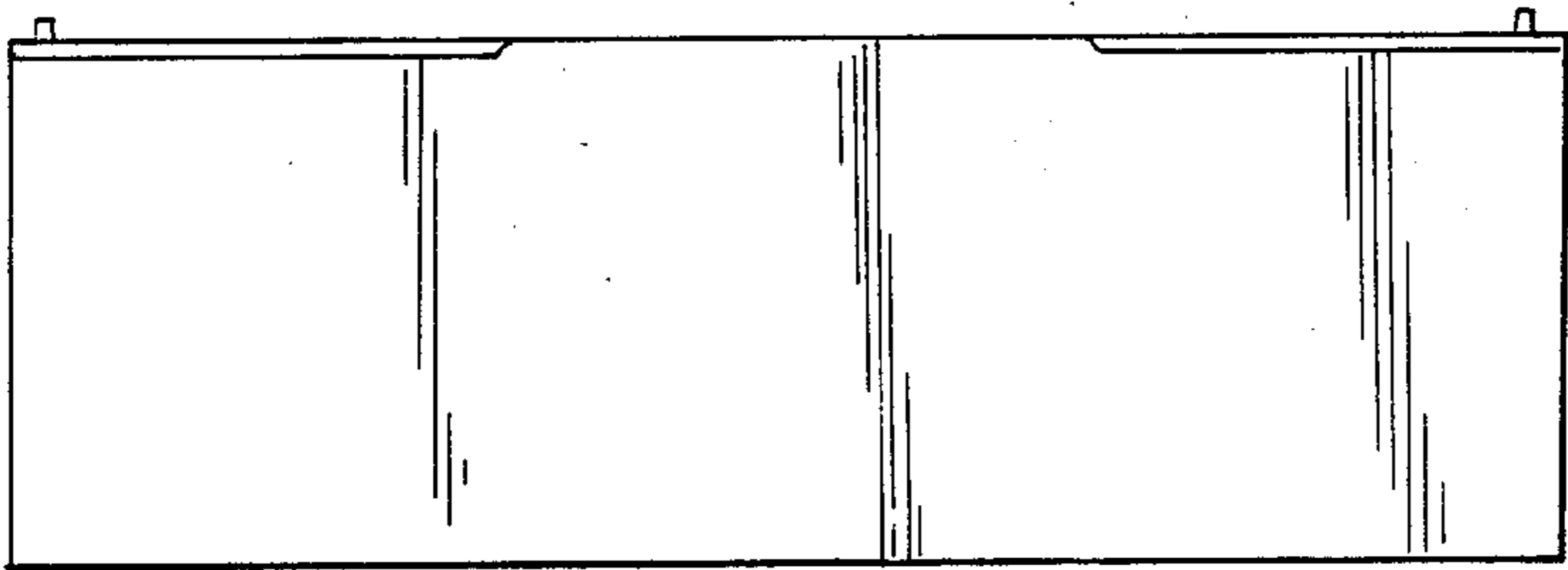
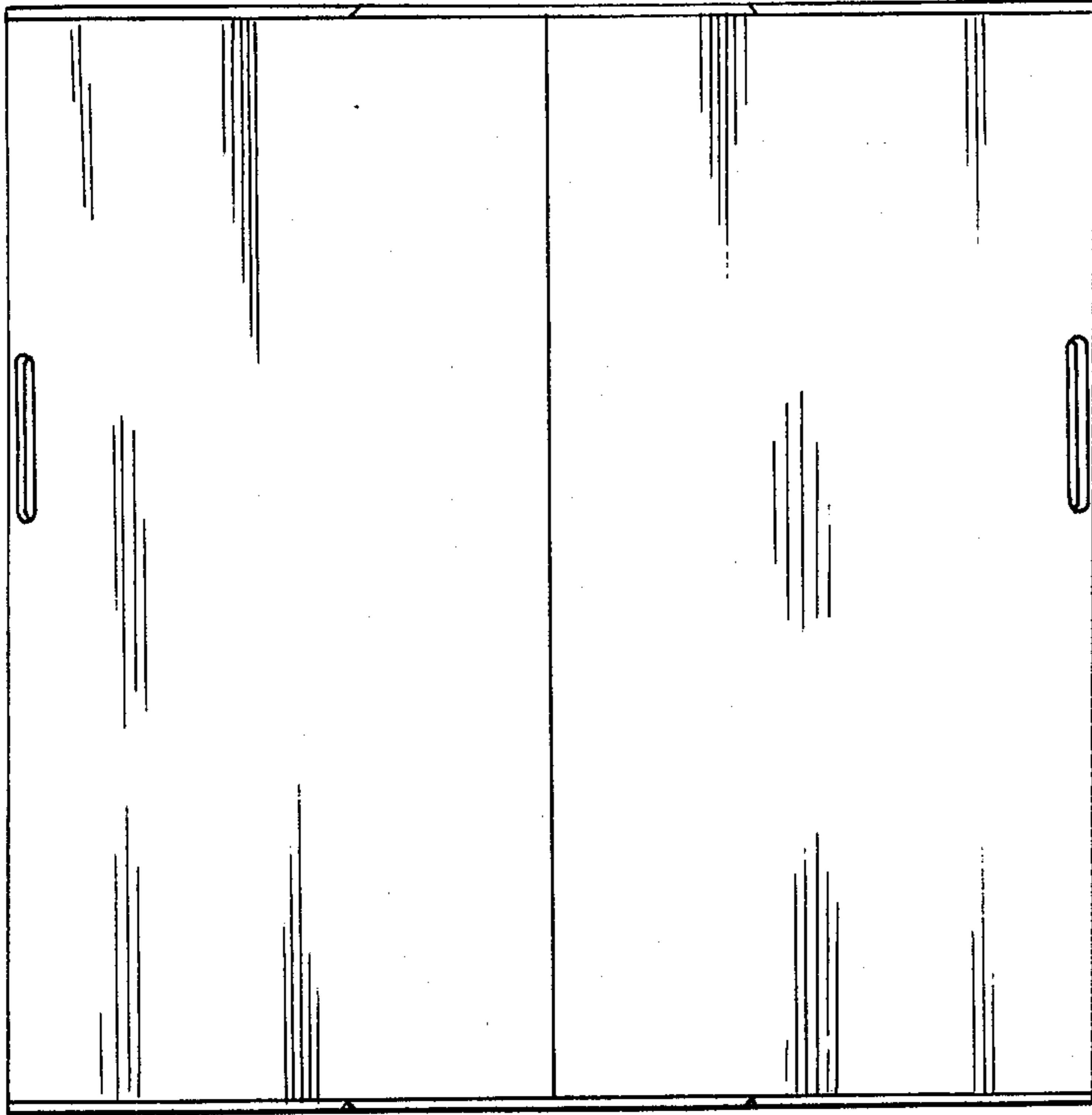


Fig-14

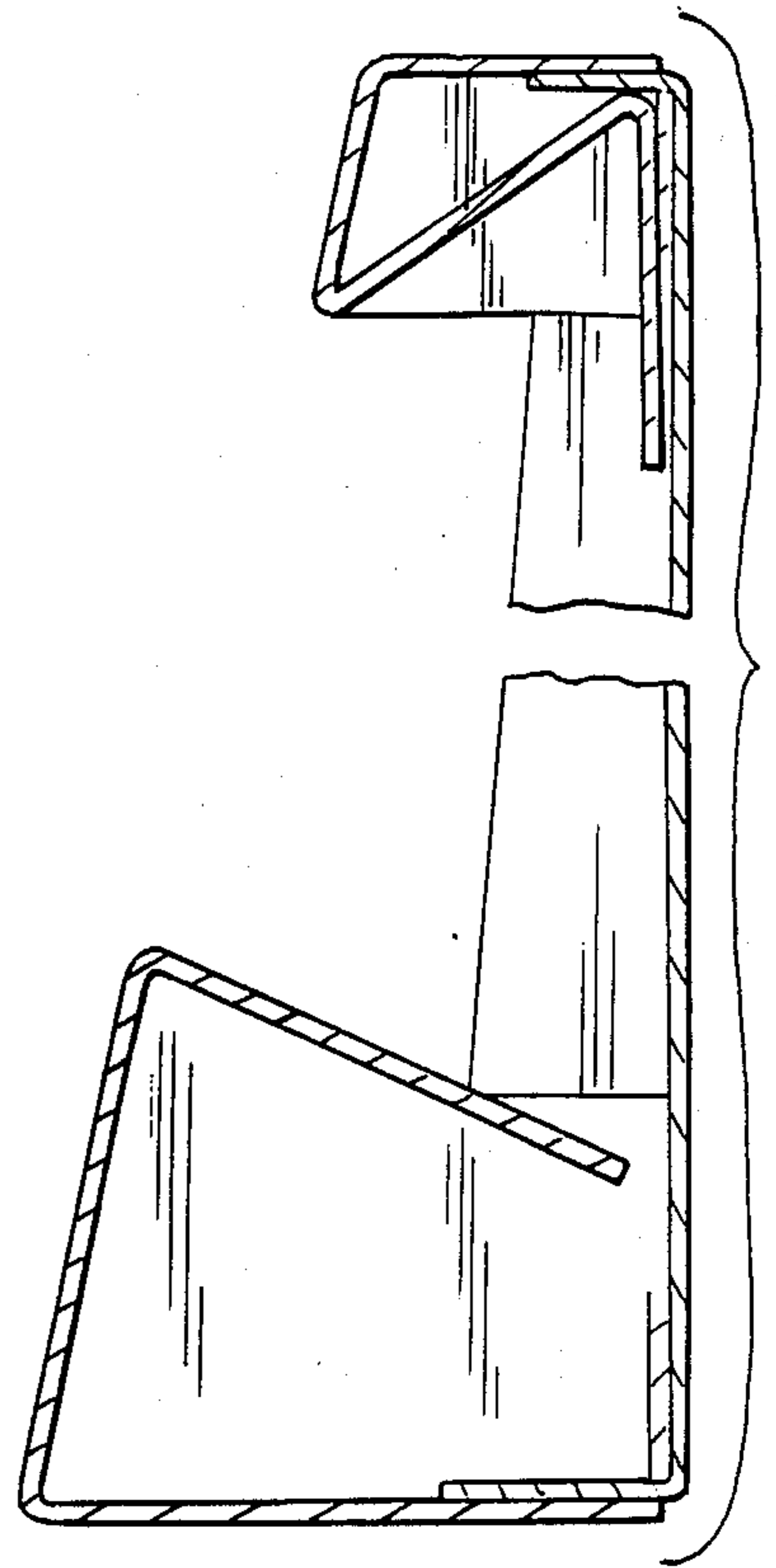


Fig-15

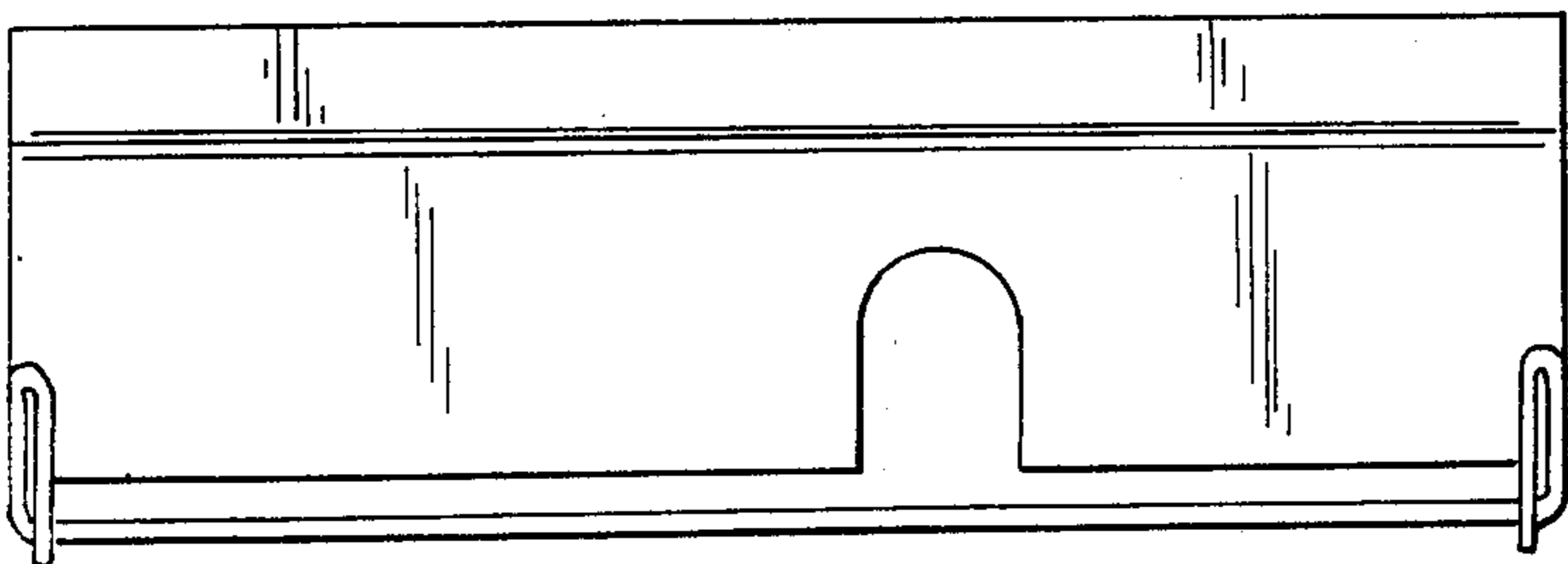


Fig-16