

[54] **CHAISE**

[75] **Inventor: Richard Frinier, Long Beach, Calif.**

[73] **Assignee: Brown Jordan Company, El Monte, Calif.**

[**] **Term: 14 Years**

[21] **Appl. No.: 871,628**

[22] **Filed: Jun. 6, 1986**

[52] **U.S. Cl. D6/361**

[58] **Field of Search D6/360, 361, 367, 368, D6/369**

[56] **References Cited**

U.S. PATENT DOCUMENTS

- D. 169,338 4/1953 Risley D6/369
- D. 279,053 6/1985 Vanderminden D6/361

D. 283,088 3/1986 McKay D6/361

Primary Examiner—Nelson C. Holtje

Assistant Examiner—Ann Hunt

Attorney, Agent, or Firm—Christie, Parker & Hale

[57] **CLAIM**

The ornamental design for a chaise, as shown and described.

DESCRIPTION

FIG. 1 is a perspective view of the chaise showing my new design;

FIG. 2 is a top plan view;

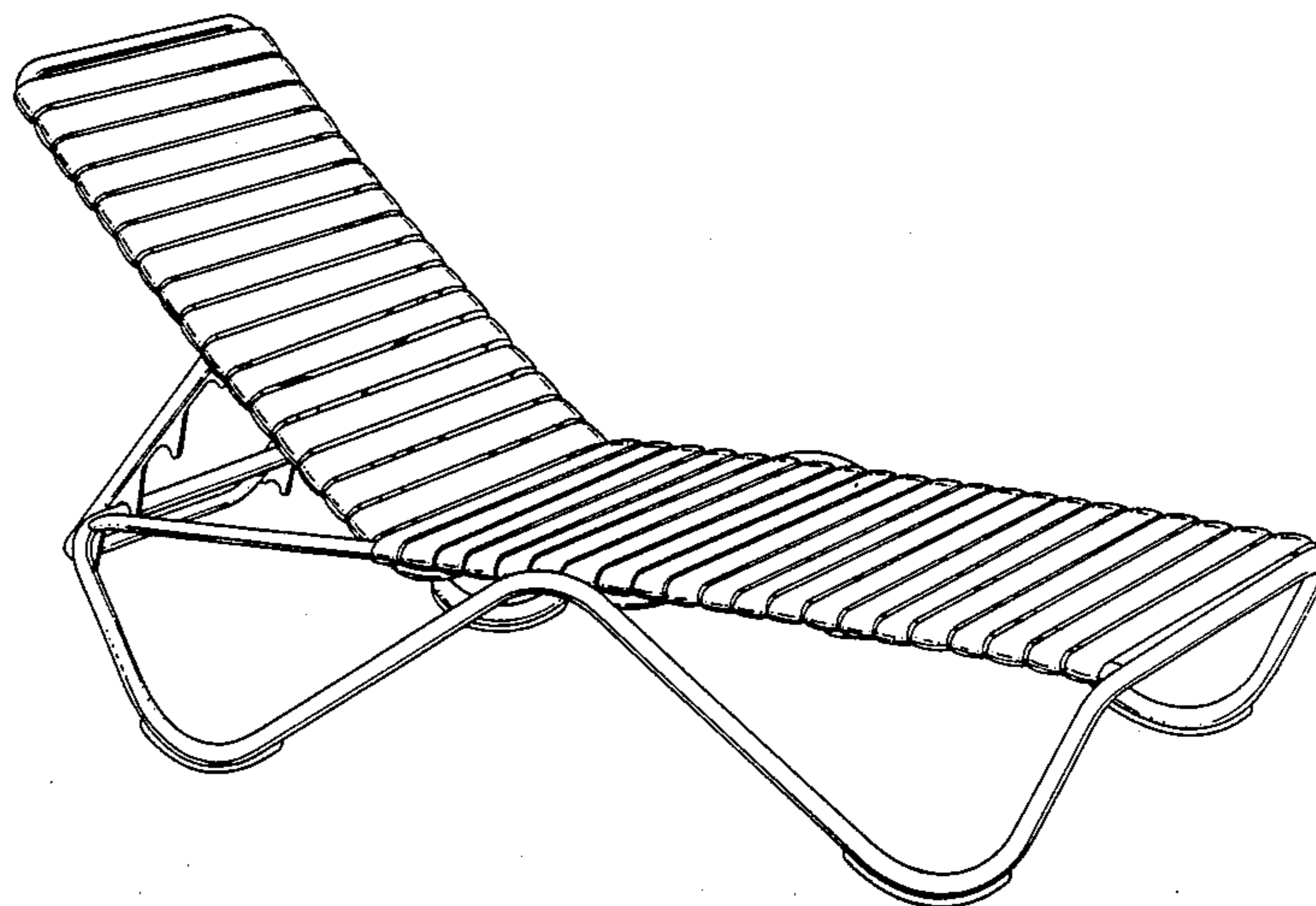
FIG. 3 is a side elevational view;

FIG. 4 is a front elevational view;

FIG. 5 is a rear elevational view;

FIG. 6 is a perspective view of a second embodiment of the chaise showing my new design; and

FIG. 7 is a side elevational view thereof.



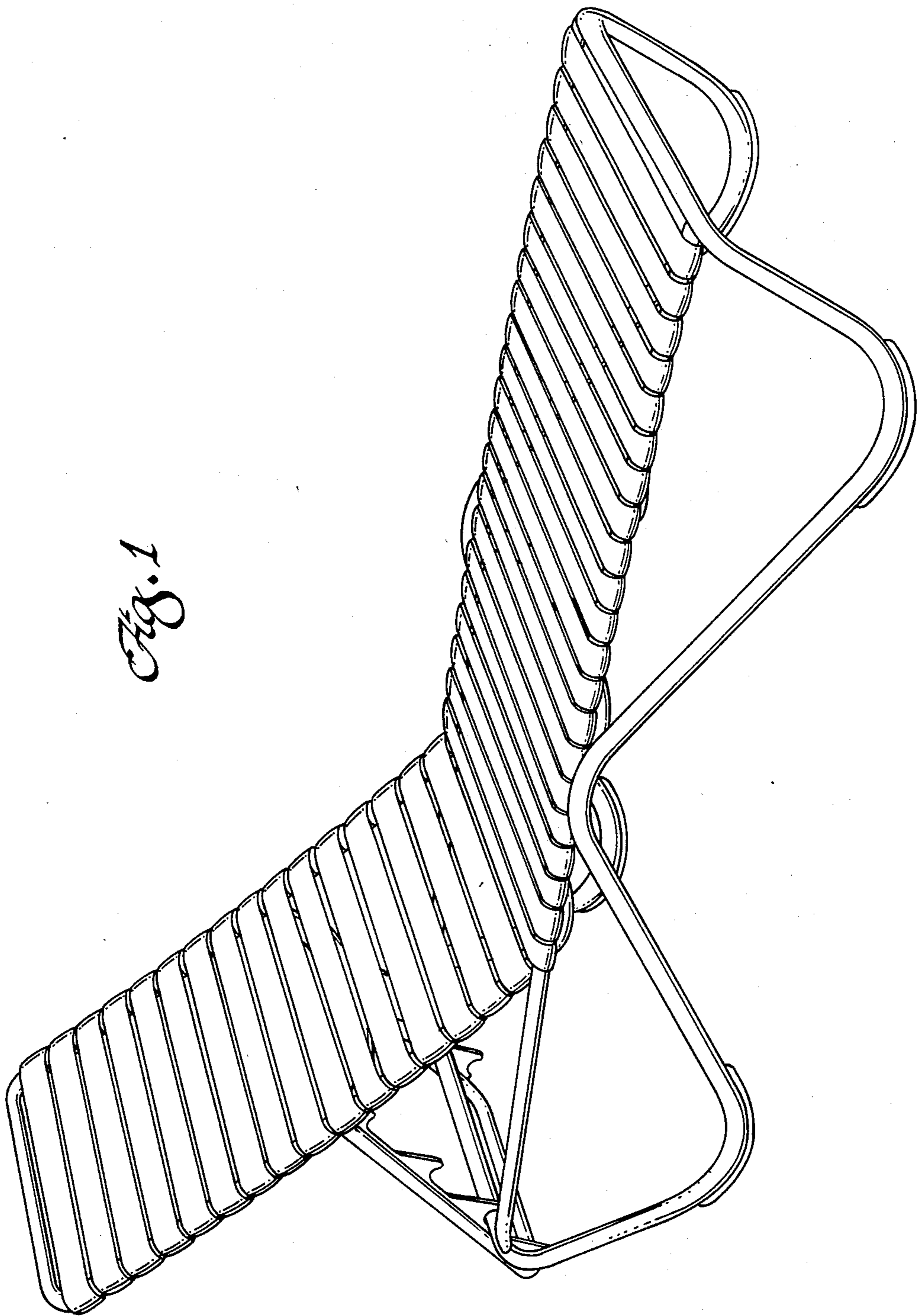


Fig. 1

Fig. 2

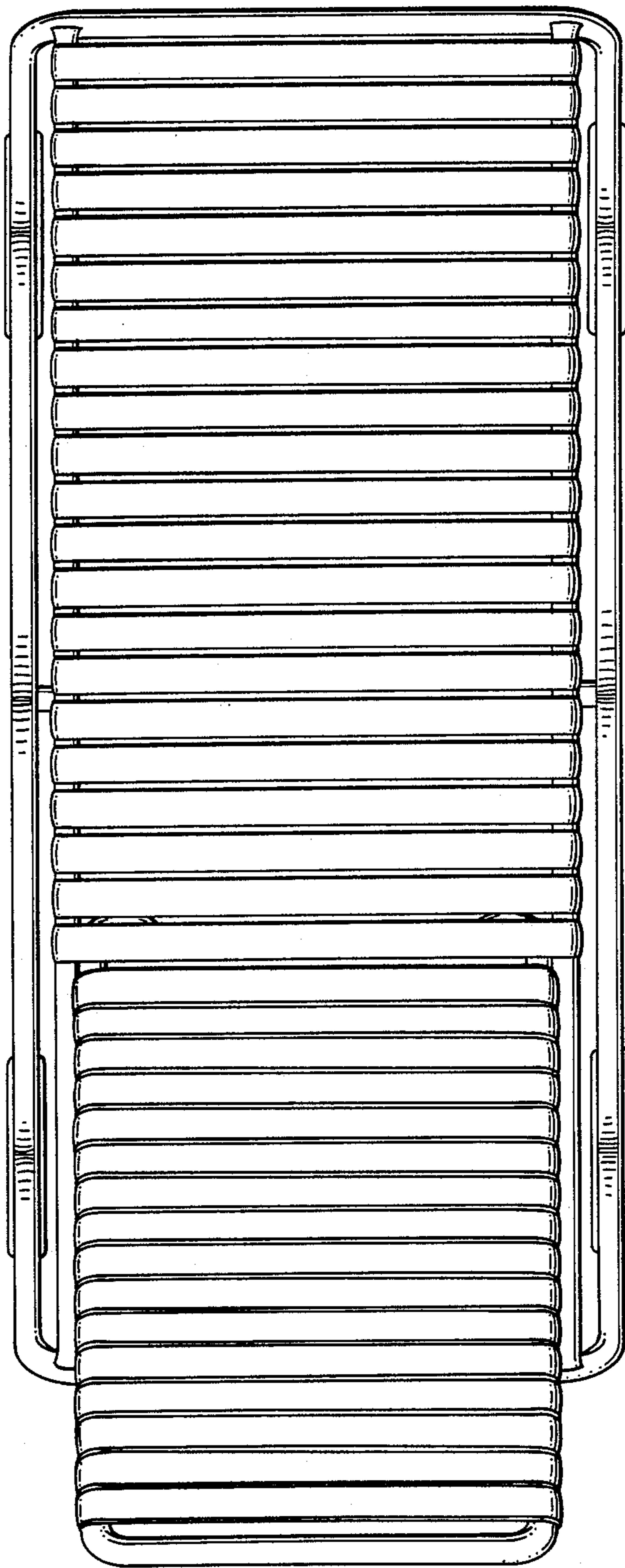


Fig. 3

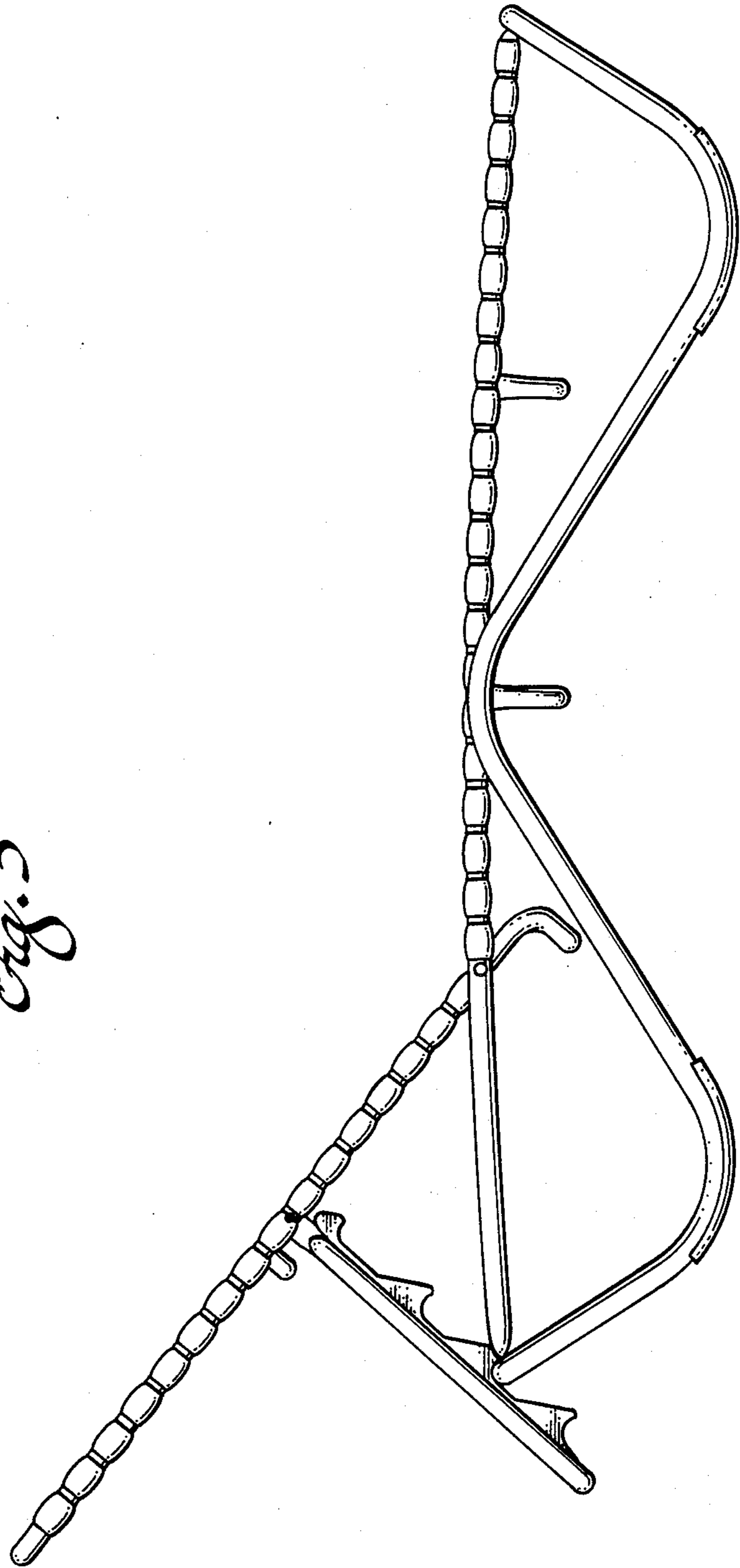


Fig. 5

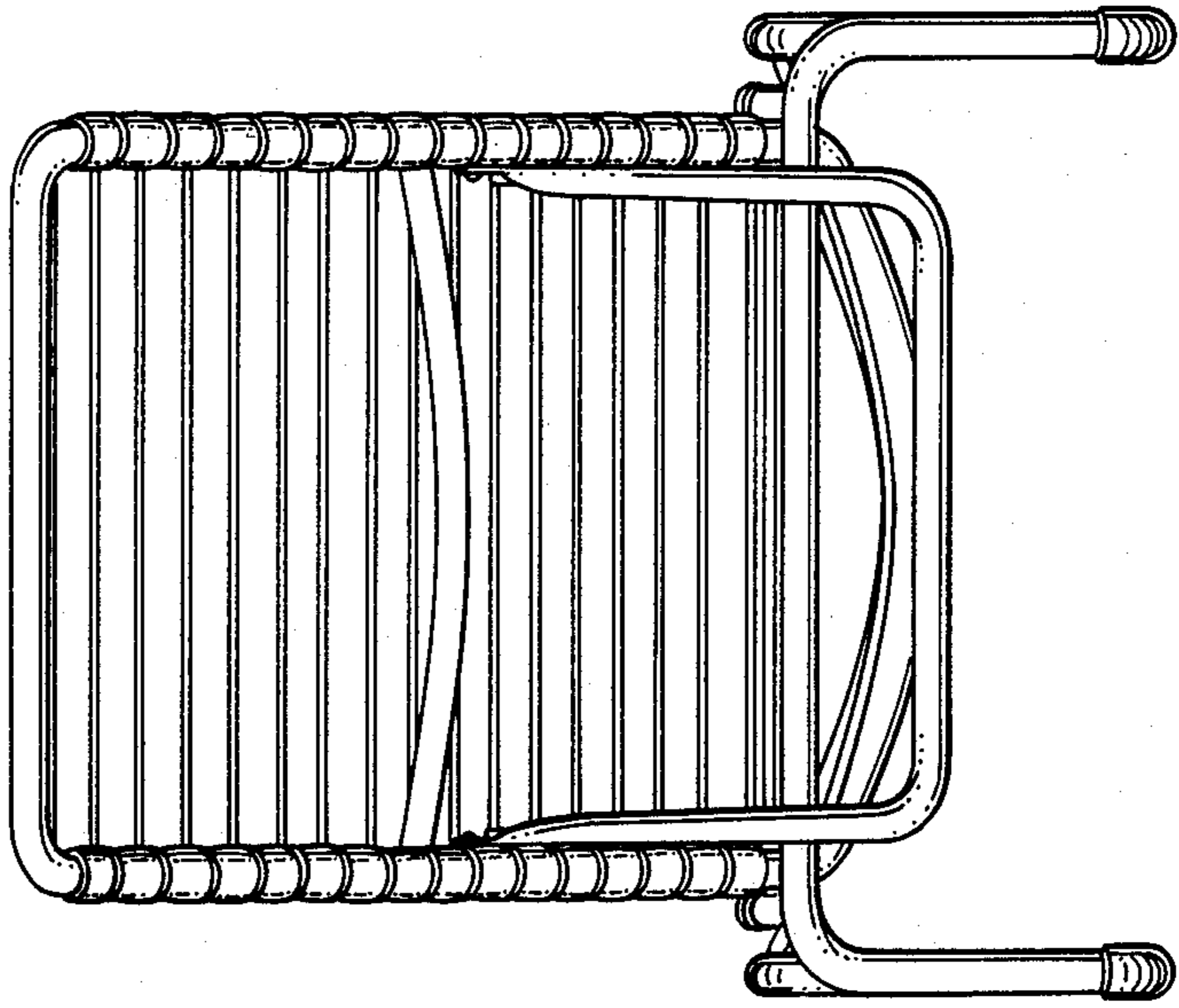


Fig. 4

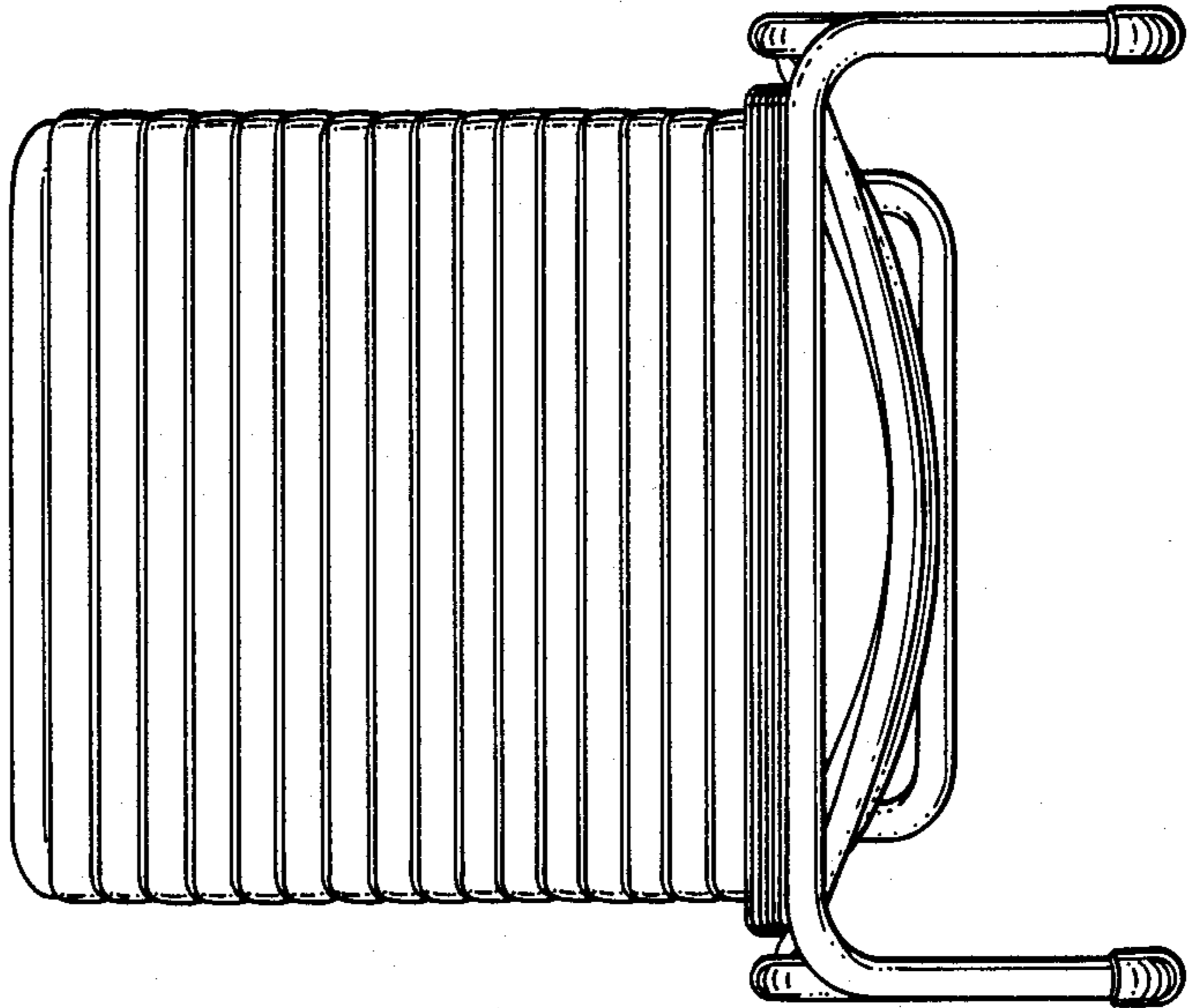
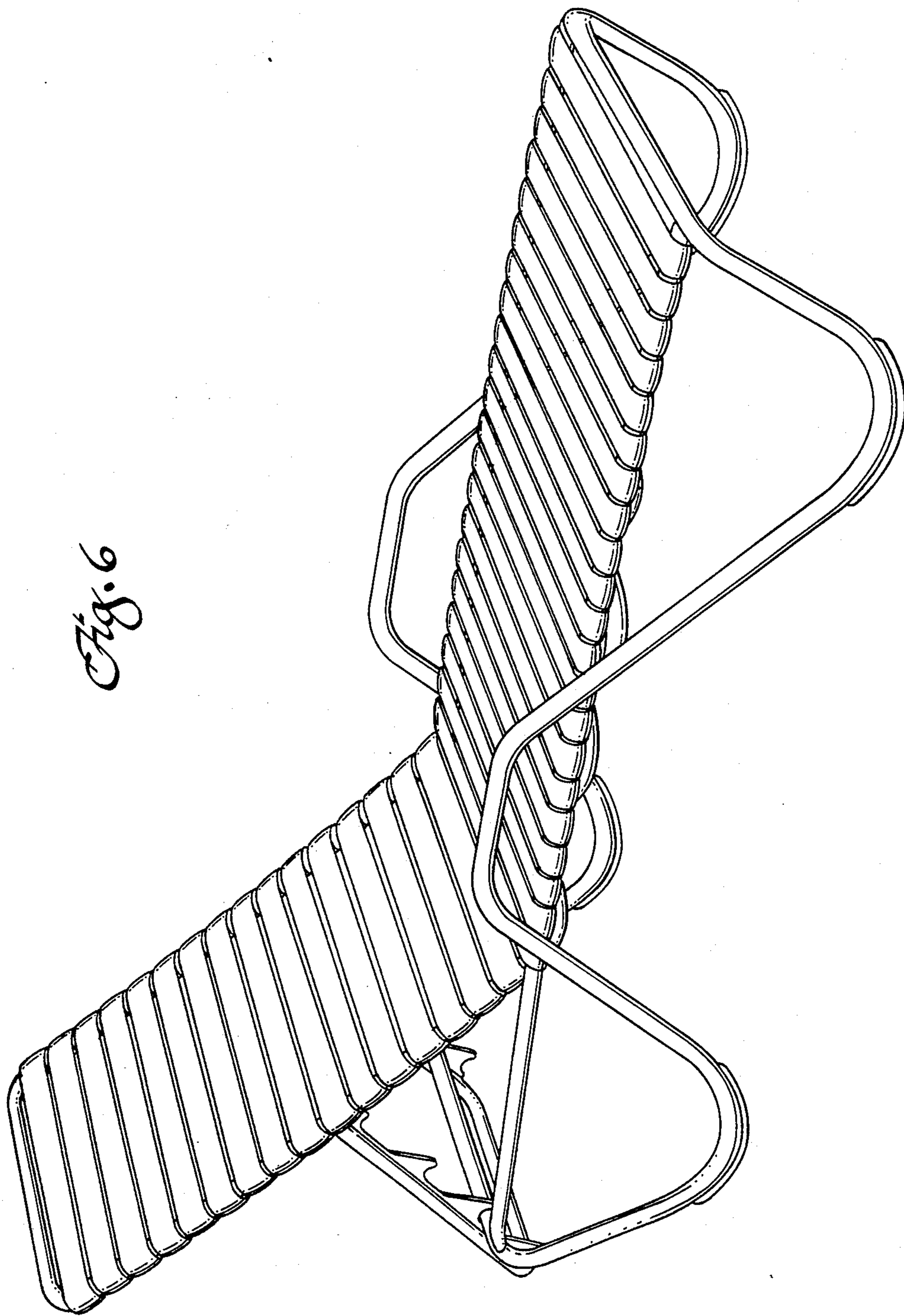


Fig. 6



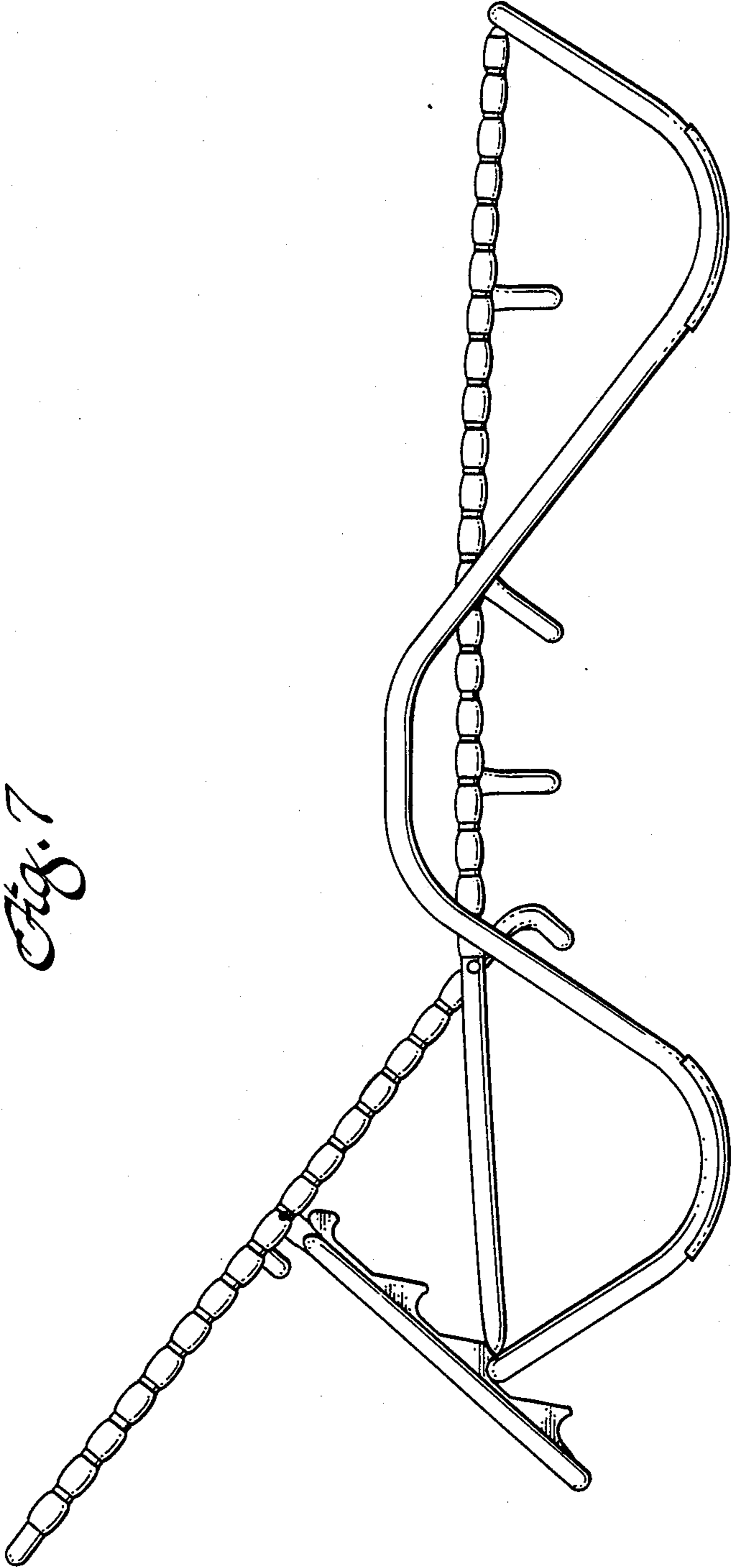


Fig. 7