

United States Patent [19]

Colan

[11] Patent Number: **Des. 306,799**

[45] Date of Patent: **** Mar. 27, 1990**

[54] **KEY HOLDER**

[75] Inventor: **John V. Colan, Warwick, R.I.**

[73] Assignee: **Sheaffer Eaton Holdings (Delaware) Inc., Wilmington, Del.**

[**] Term: **14 Years**

[21] Appl. No.: **881,857**

[22] Filed: **Jul. 1, 1986**

[52] U.S. Cl. **D3/61**

[58] Field of Search 70/459, 460; 24/241 SL,
24/299, 300, 301, 302; 403/DIG. 3, DIG. 4,
410

[56] **References Cited**

U.S. PATENT DOCUMENTS

D. 285,987 10/1986 MacDonald D3/61

4,407,148 10/1983 Rousseau 70/459 X
4,429,557 2/1984 Morrone, III 70/459 X

Primary Examiner—James R. Largen
Assistant Examiner—Y. Brunot
Attorney, Agent, or Firm—Darby & Darby

[57] **CLAIM**

The ornamental design for a key holder, as shown and described.

DESCRIPTION

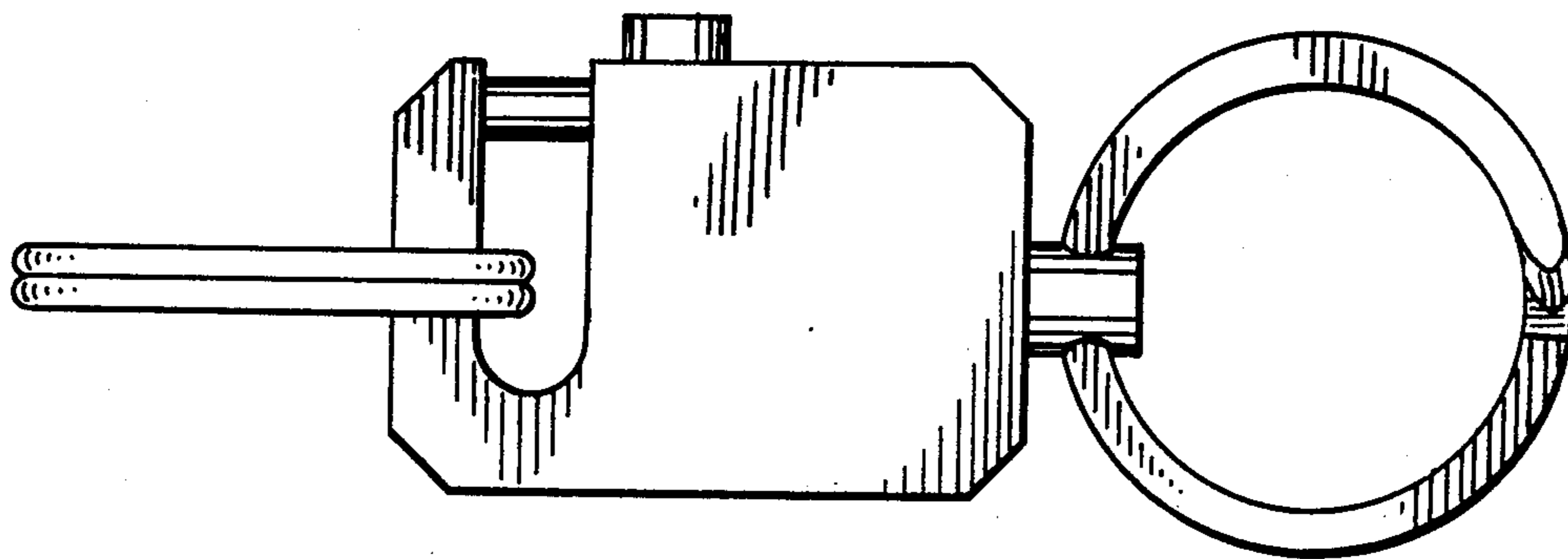
FIG. 1 is a front elevational view of a key holder showing my new design, the rear elevational view being a mirror image thereof;

FIG. 2 is a left end elevational view thereof;

FIG. 3 is a right end elevational view thereof;

FIG. 4 is a top plan view thereof; and

FIG. 5 is a bottom plan view thereof.



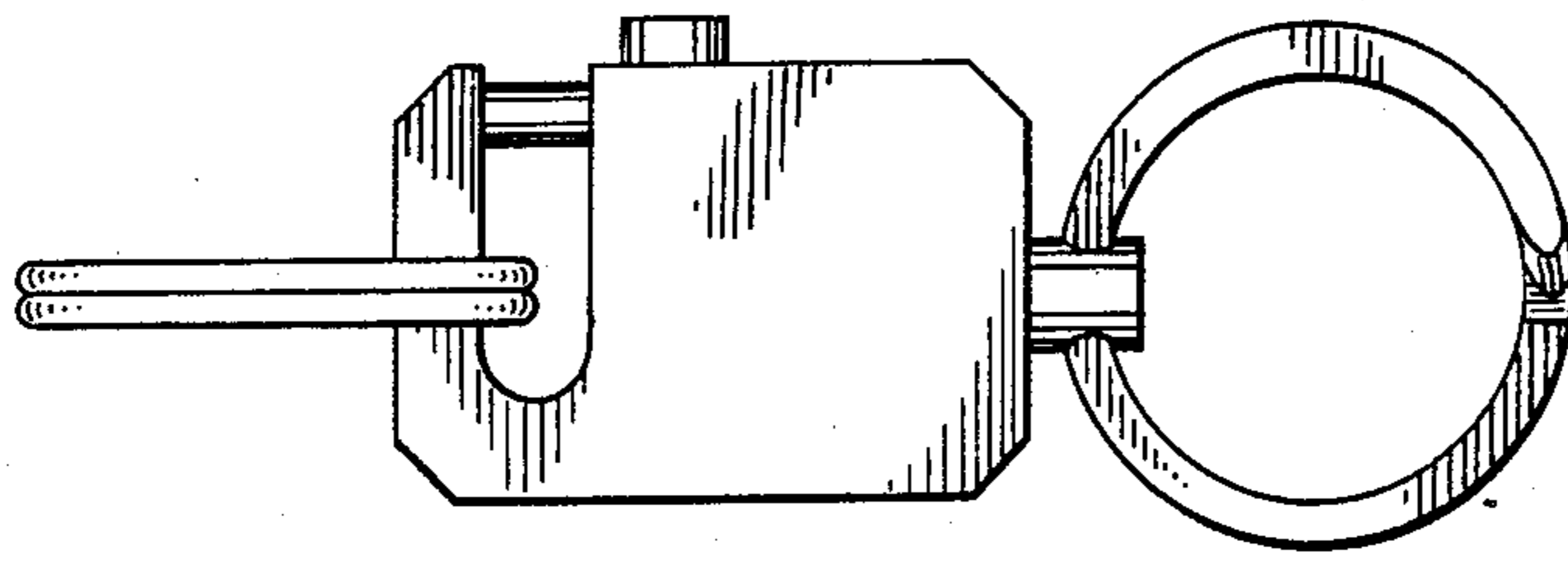


FIG. 1

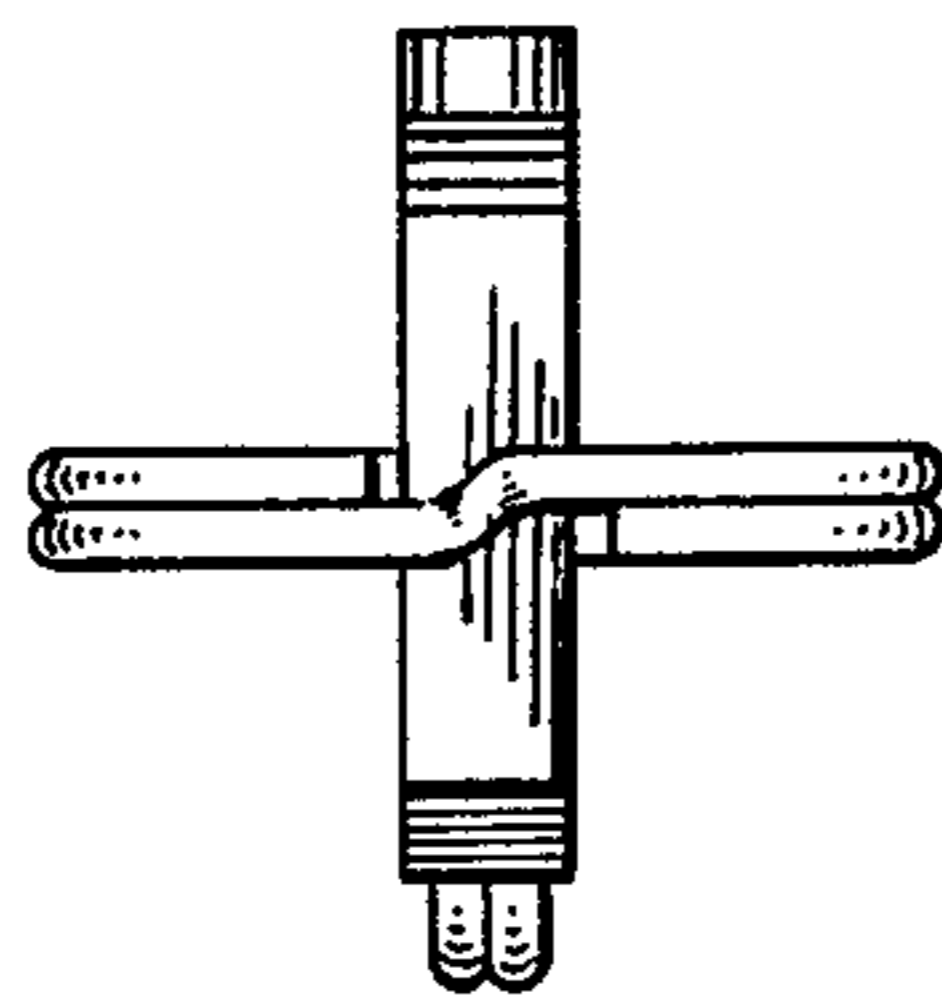


FIG. 2

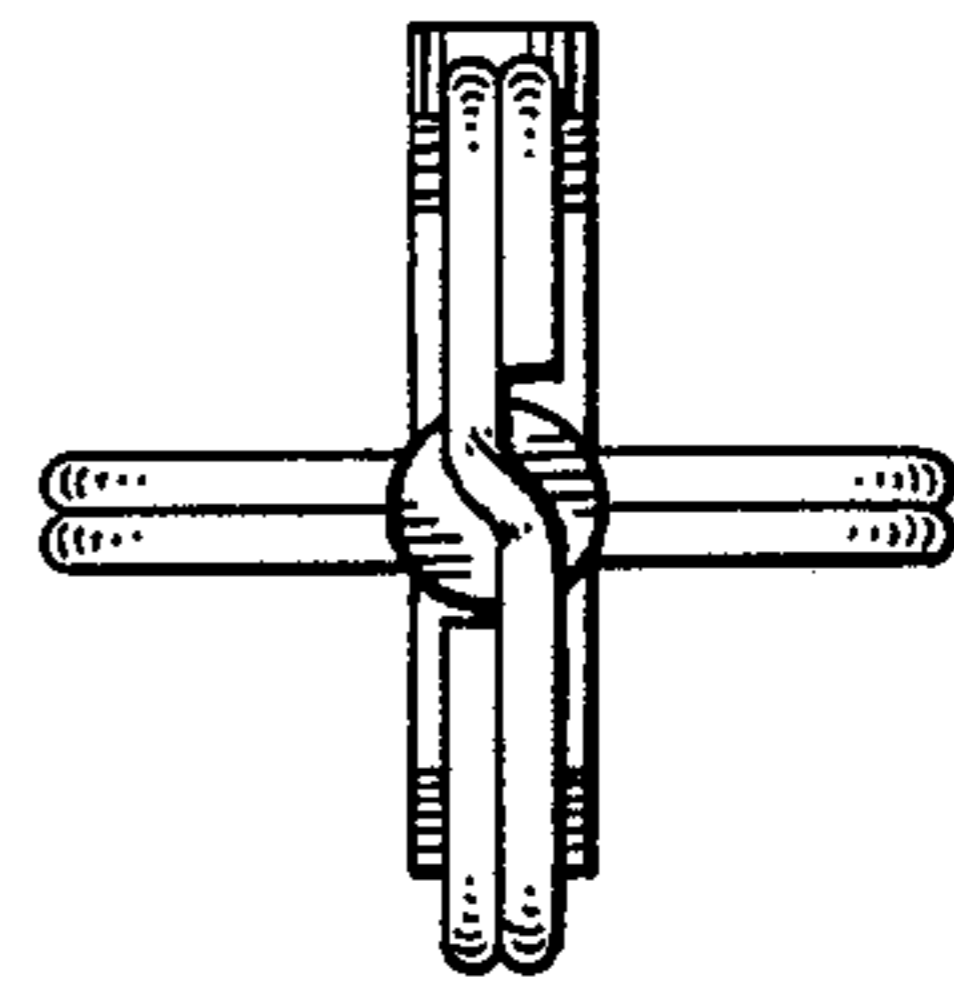


FIG. 3

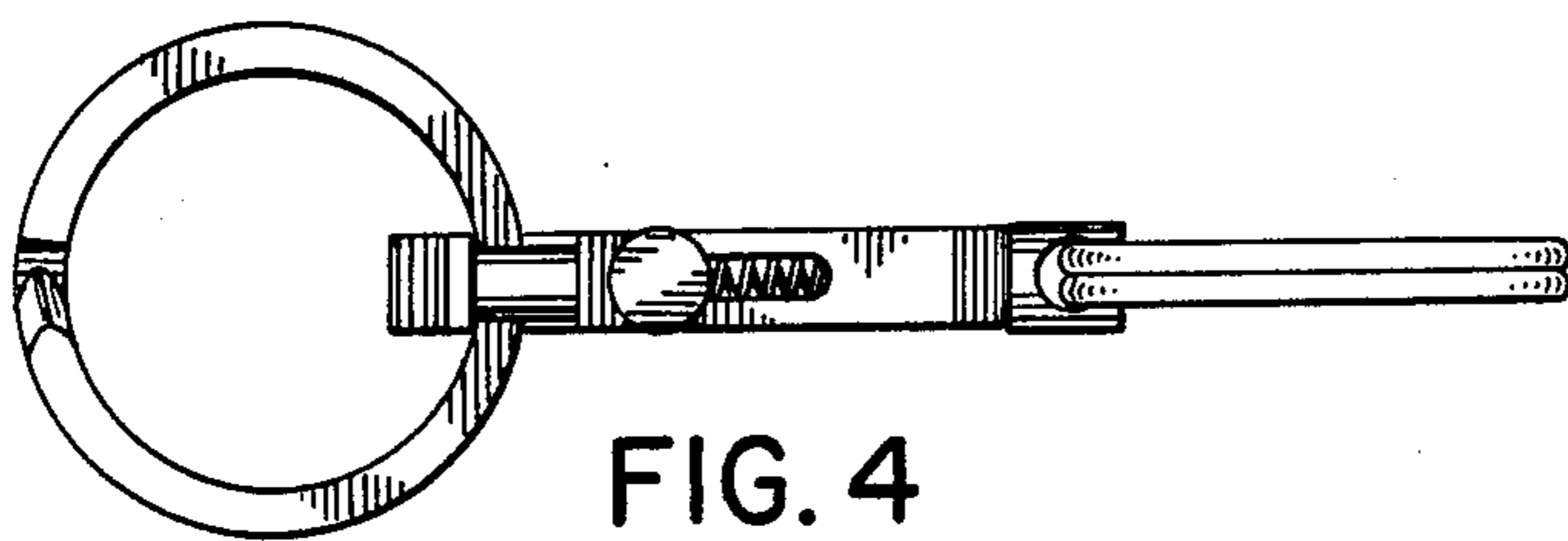


FIG. 4

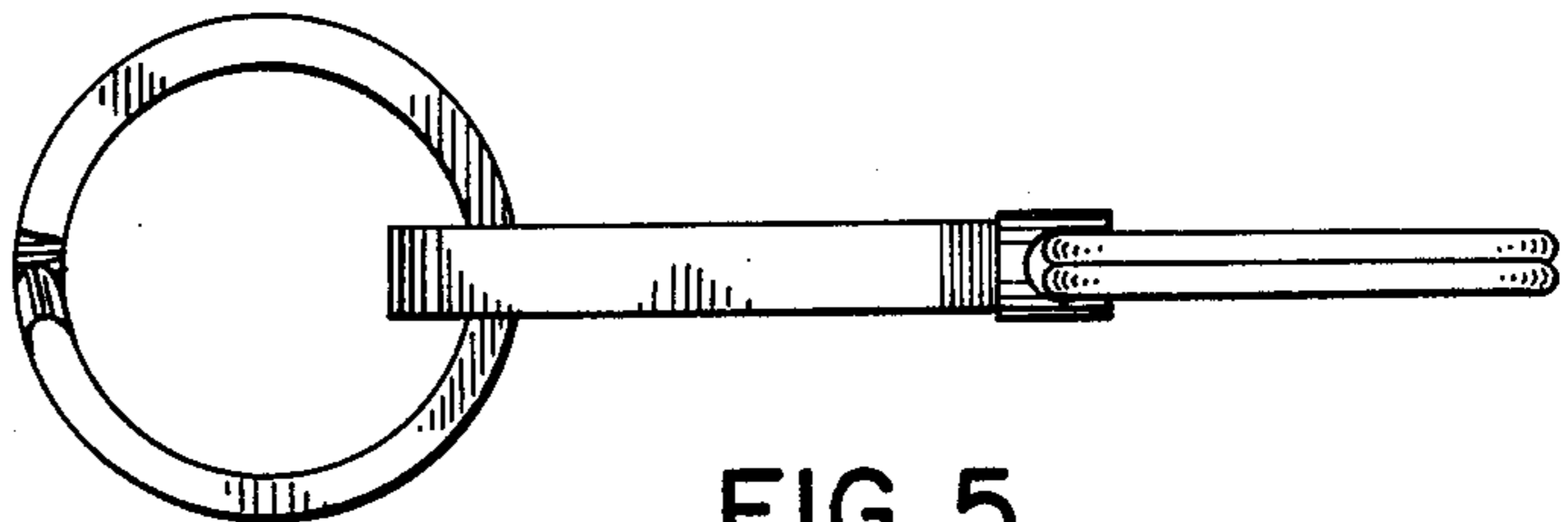


FIG. 5