

[54] COMBINED COIN HOLDER AND VANITY MIRROR FOR AN AUTOMOBILE DASH

D. 224,368 7/1972 Bettonica D3/39
D. 257,800 1/1981 Pederson D3/39
D. 263,784 4/1982 Butler et al. D27/134 X
D. 296,725 7/1988 Iacovelli D3/40

[75] Inventors: Pierre Charet; Duke Kraai, both of Miami, Fla.

Primary Examiner—James R. Largen
Assistant Examiner—Y. Brunot
Attorney, Agent, or Firm—Wells & White

[73] Assignee: Rally Manufacturing, Inc., Miami, Fla.

[*] Notice: The portion of the term of this patent subsequent to Jul. 19, 2002 has been disclaimed.

[57] CLAIM

The ornamental design for a combined coin holder and vanity mirror for an automobile dash, as shown and described.

[**] Term: 14 Years

DESCRIPTION

[21] Appl. No.: 864,113

FIG. 1 is a right front perspective view of a combined coin holder and vanity mirror for an automobile dash in a closed condition showing my new design;

[22] Filed: May 16, 1986

FIG. 2 is a right front perspective view of the combined coin holder and vanity mirror for an automobile dash in open condition;

[52] U.S. Cl. D3/40

[58] Field of Search 220/427, DIG. 13, DIG. 14; D3/40, 39; D27/103, 107, 109, 111, 126, 127, 129, 134

FIG. 3 is a top plan view of the combined coin holder and vanity mirror for an automobile dash as taken from FIG. 1;

[56] References Cited

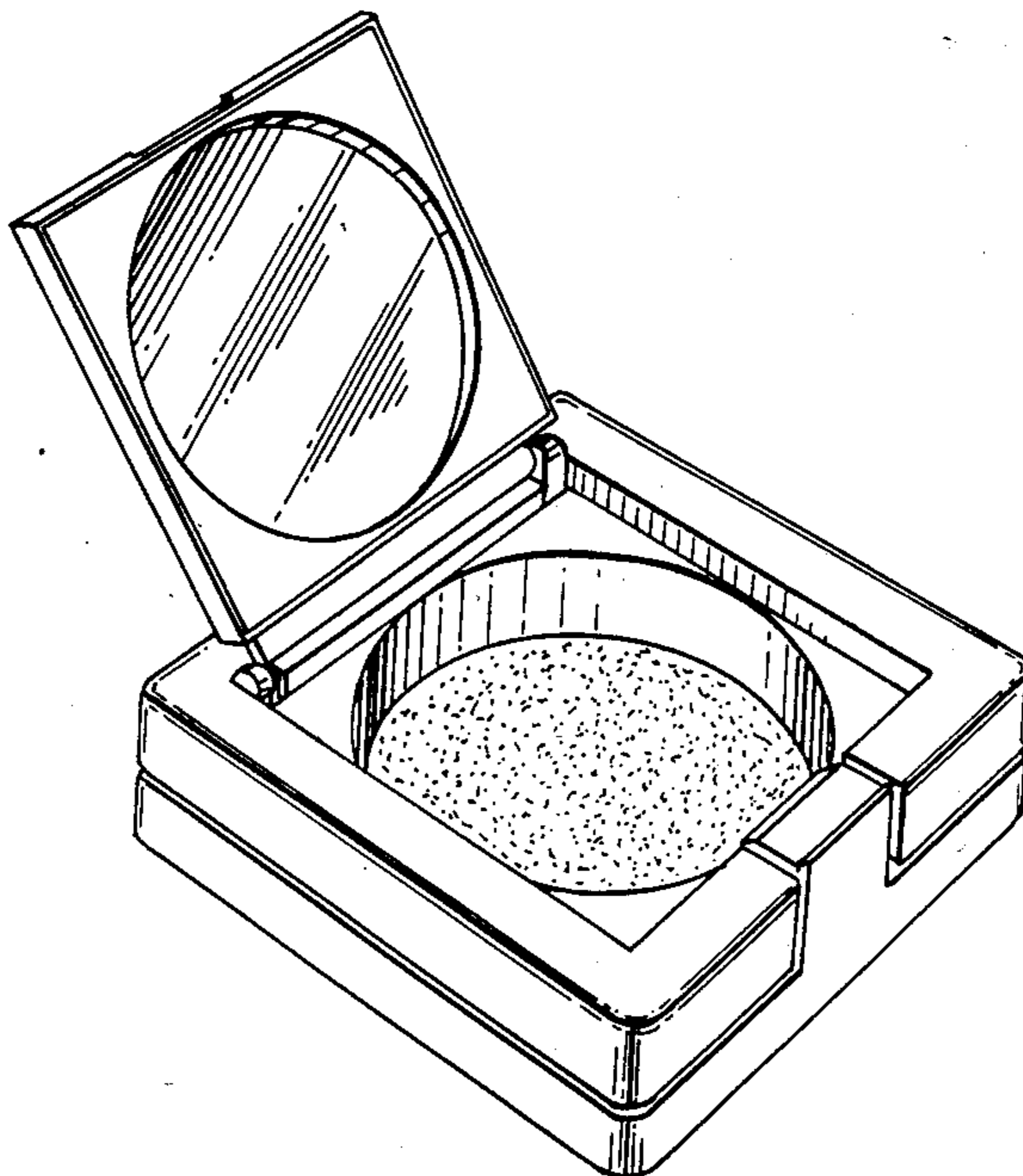
U.S. PATENT DOCUMENTS

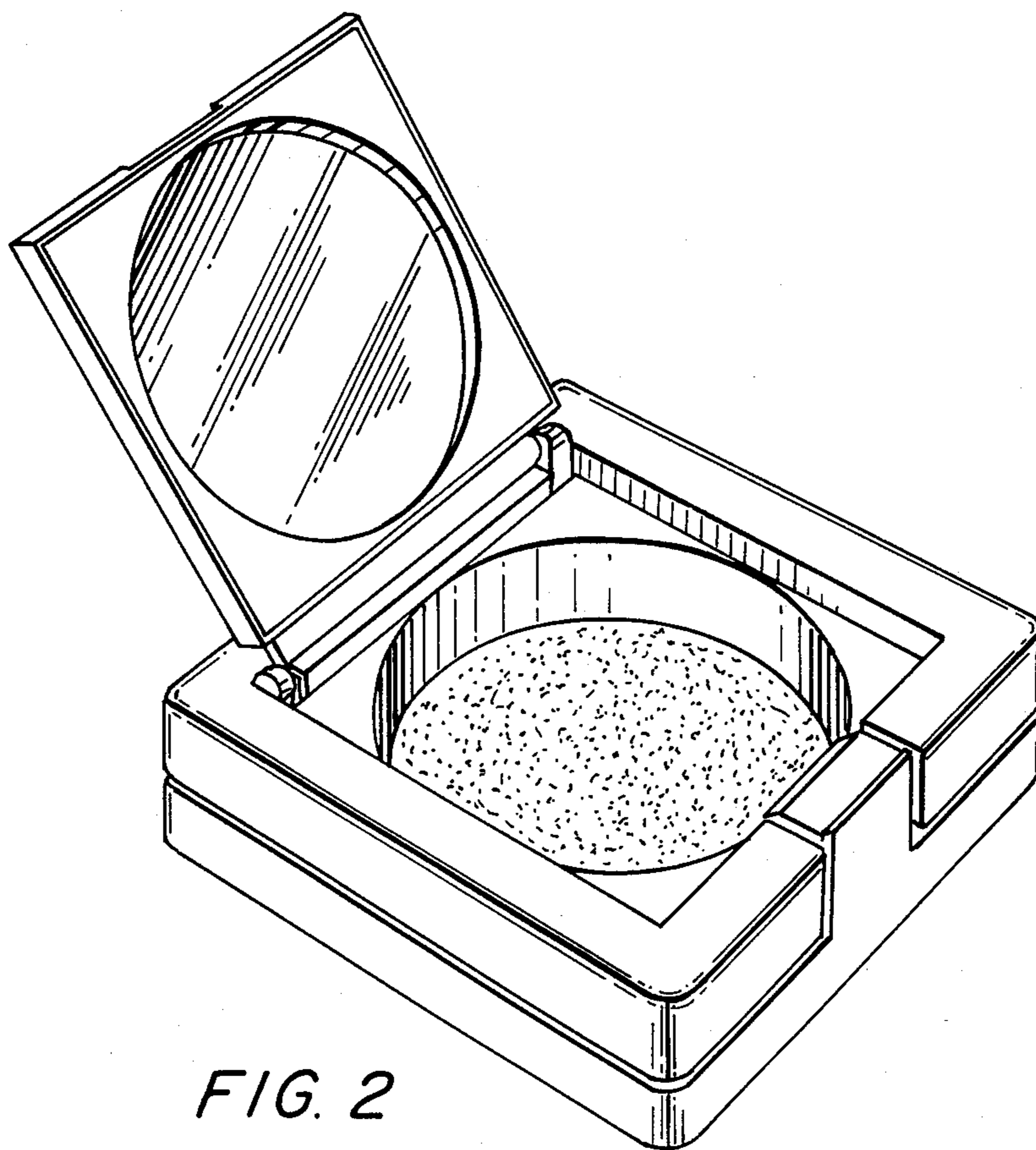
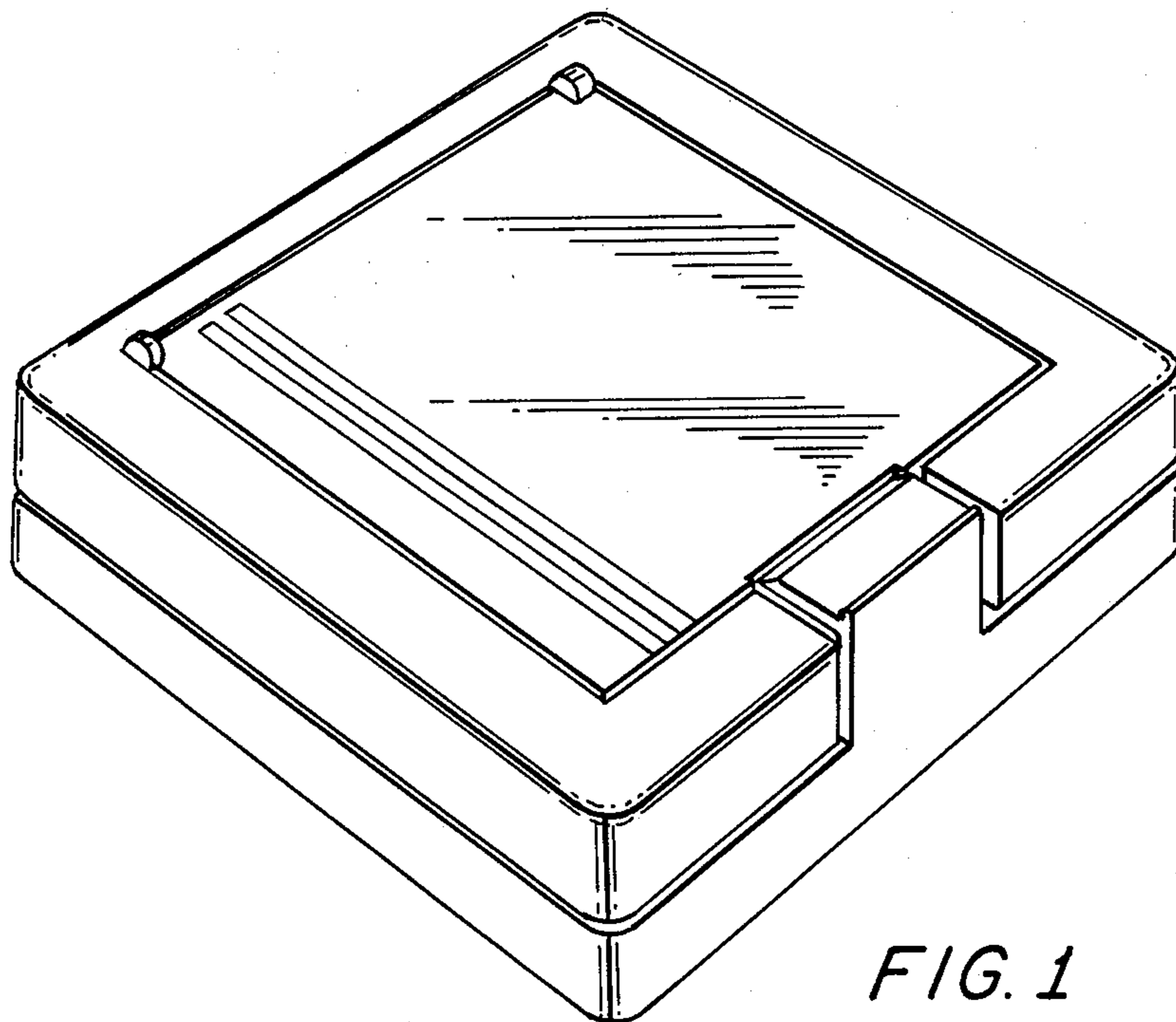
D. 121,595 7/1940 Menn D3/39
D. 142,425 9/1945 Klyce D27/134
D. 145,008 6/1946 Crane D3/39
D. 203,022 11/1965 Mayer D3/39

FIG. 4 is a front elevational view;

FIG. 5 is a right side elevational view, the left side being a mirror image thereof; and

FIG. 6 is a bottom plan view thereof.





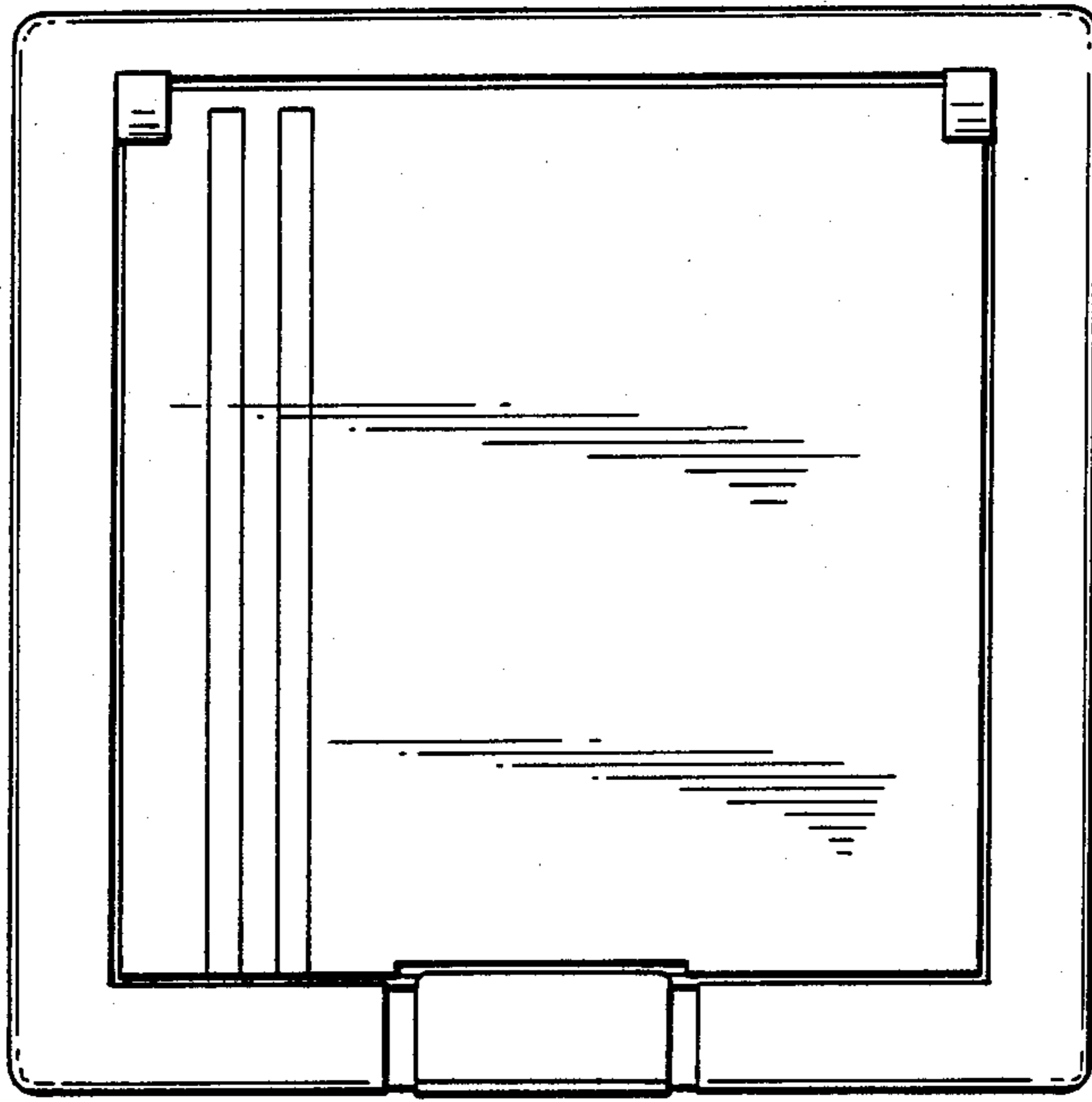


FIG. 3

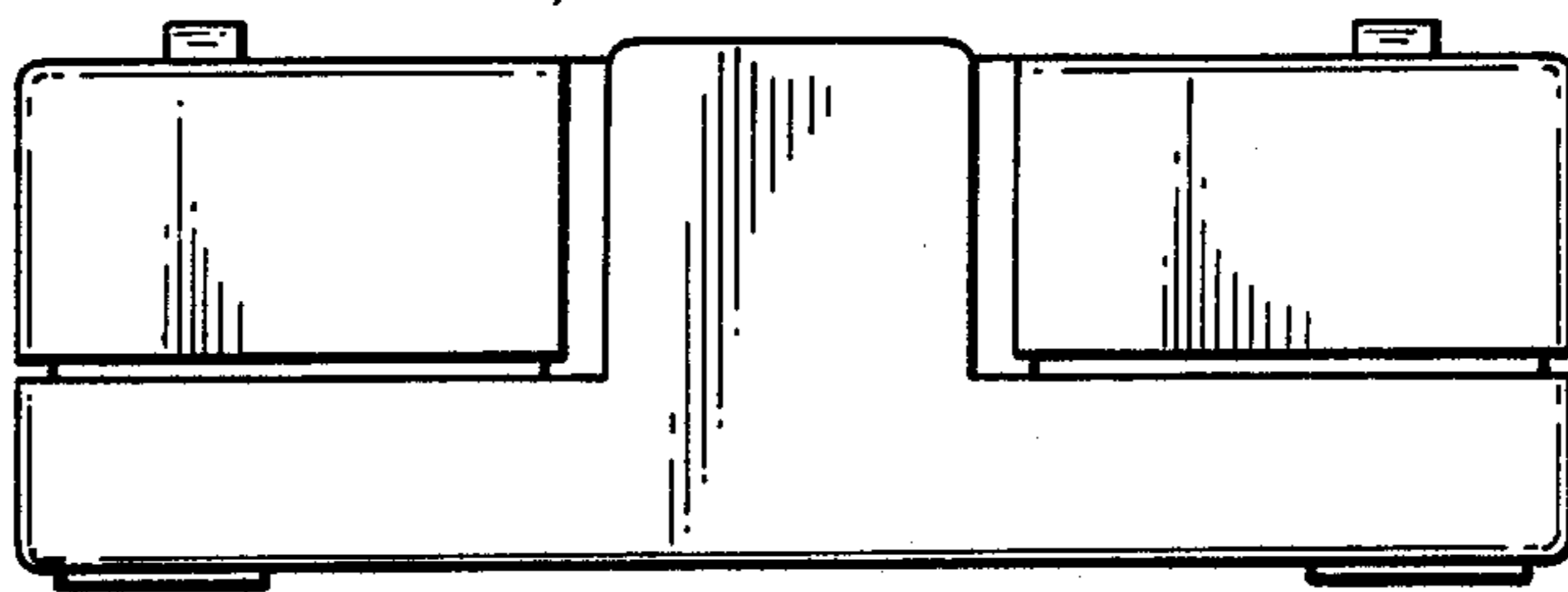


FIG. 4

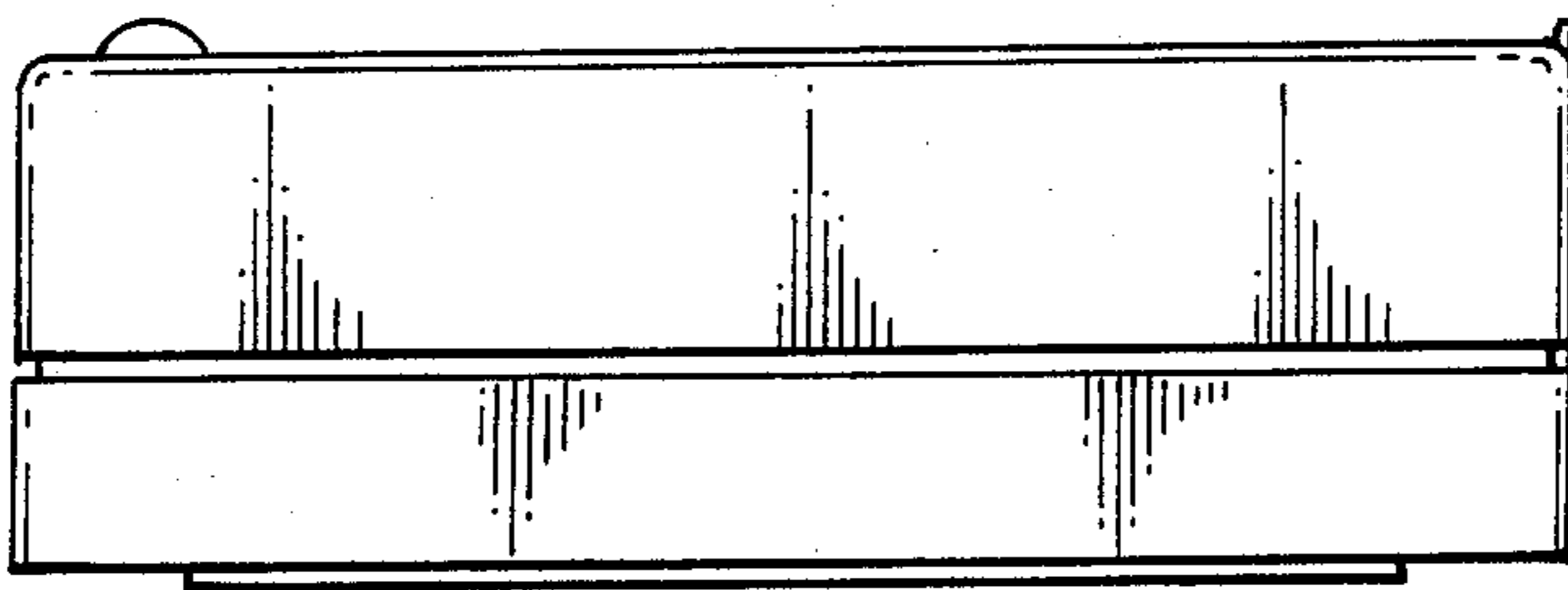


FIG. 5

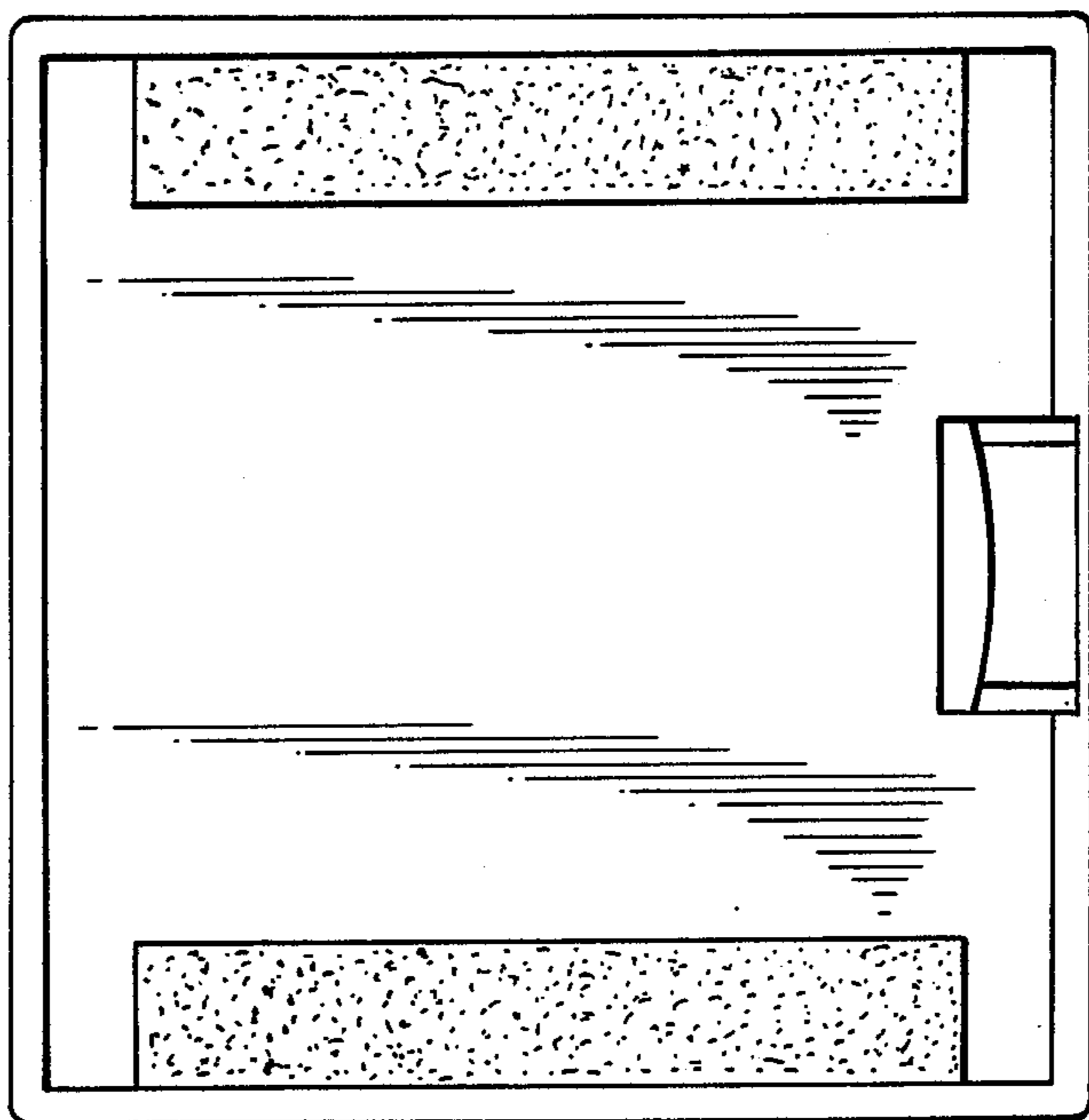


FIG. 6