

[54] CROCHET THREAD DISPENSER

815,067 3/1906 Commons D3/25 X
943,454 12/1909 Pecoy D3/20 X

[76] Inventor: Beverly S. Akin, 110 St. Dorothy Dr., Cahokia, Ill. 62206

OTHER PUBLICATIONS

[**] Term: 14 Years

FIG. 1 is a top perspective view of a crochet thread dispenser showing my new design; FIG. 2 is top plan view; and FIG. 3 is a side elevational view. The bottom surface is conventional in appearance.

[21] Appl. No.: 909,090

[22] Filed: Sep. 18, 1986

[52] U.S. Cl. D3/23; 223/106; D3/25

Primary Examiner—Nelson C. Holtje
Assistant Examiner—Y. Brunot
Attorney, Agent, or Firm—Terry M. Gernstein

[58] Field of Search D3/18, 20, 24, 25, 26; 223/106, 107, 108; 112/1, 227; 66/1 A

[57] CLAIM

[56] References Cited

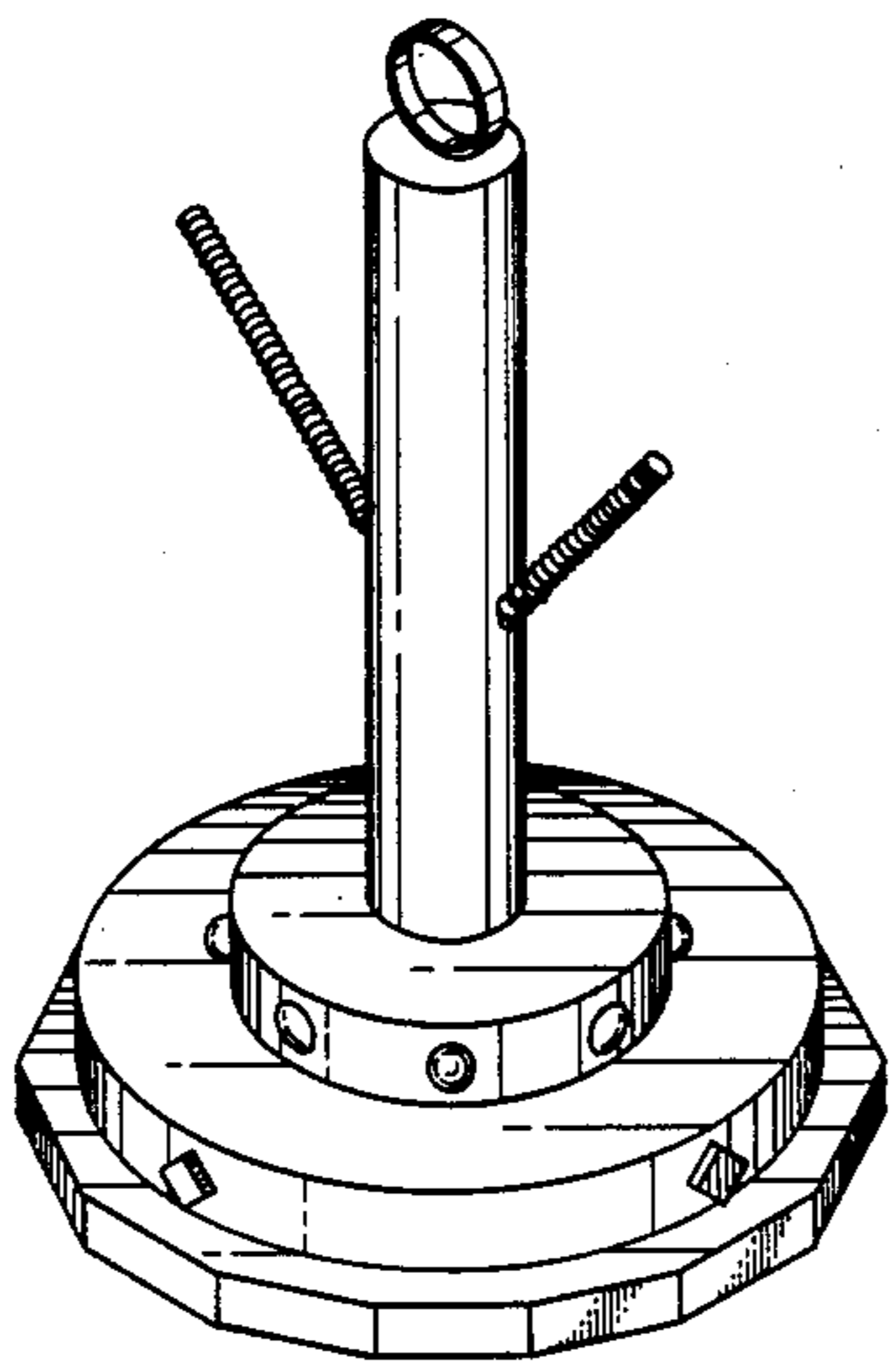
The ornamental design for a crochet thread dispenser, as shown and described.

U.S. PATENT DOCUMENTS

DESCRIPTION

- D. 70,890 8/1926 Olson D3/25
- D. 91,433 1/1934 Koger D3/23
- D. 127,614 6/1941 Bishop D3/23
- D. 140,316 2/1945 Salagie D3/25
- D. 182,269 3/1958 Brown et al. D3/25
- D. 239,070 3/1976 Gray D3/25
- 176,728 4/1896 Worthington 223/107 X

FIG. 1 is a top plan view of a sole for a shoe, or similar article, showing my new design; FIG. 2 is a bottom view thereof; FIG. 3 is a side elevational view. The bottom surface is conventional in appearance.



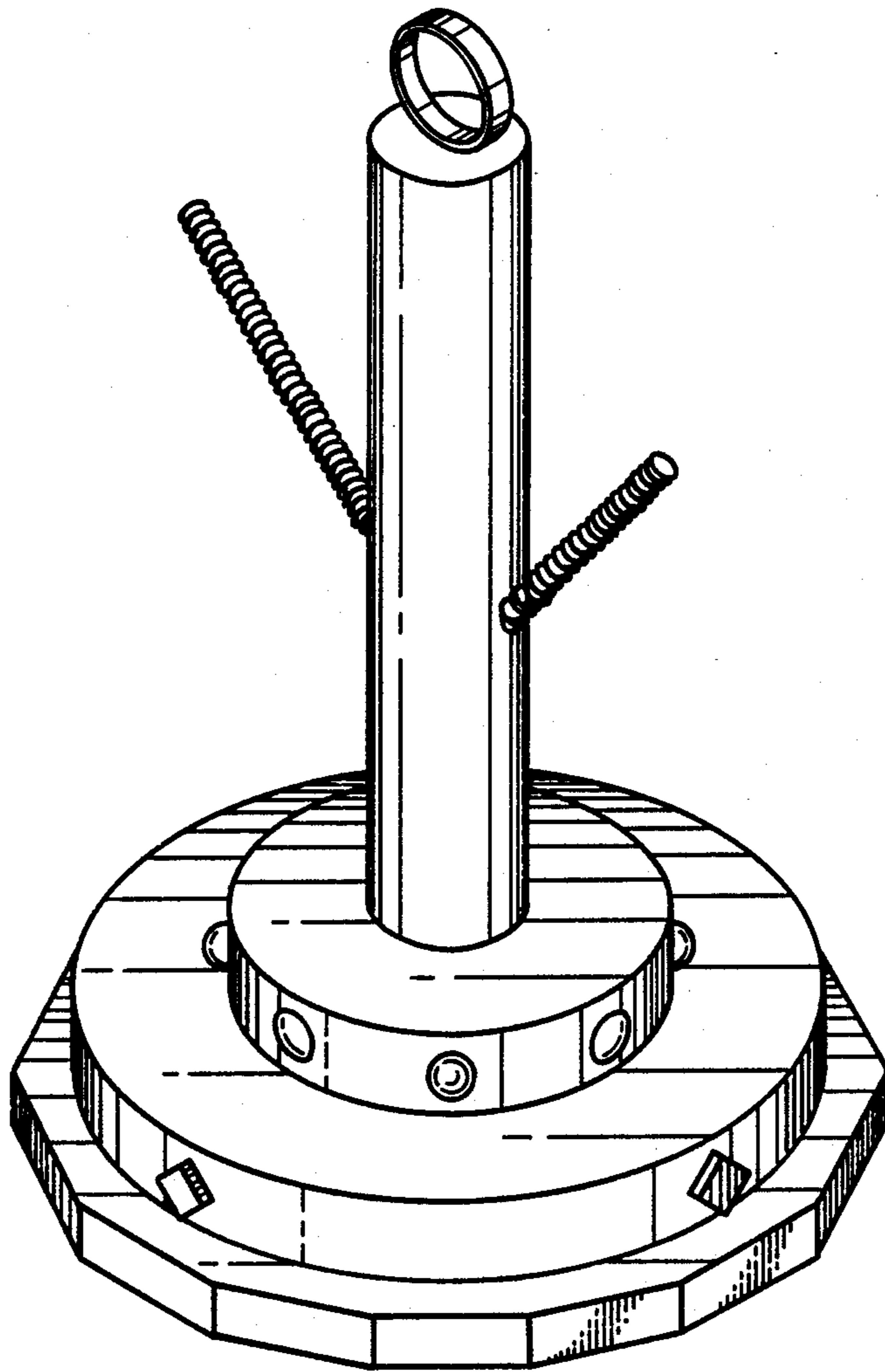


Fig. 1

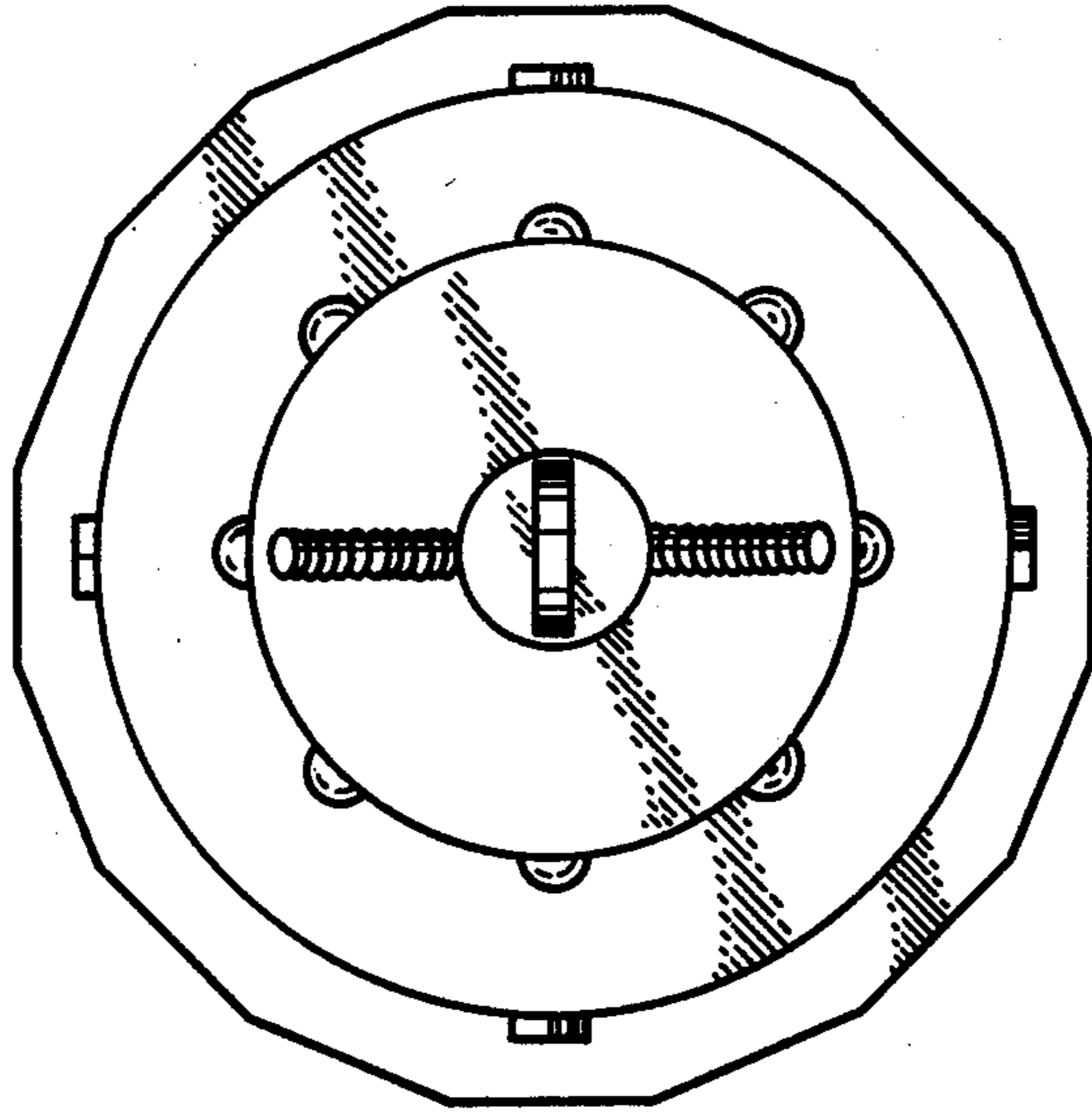


Fig. 2

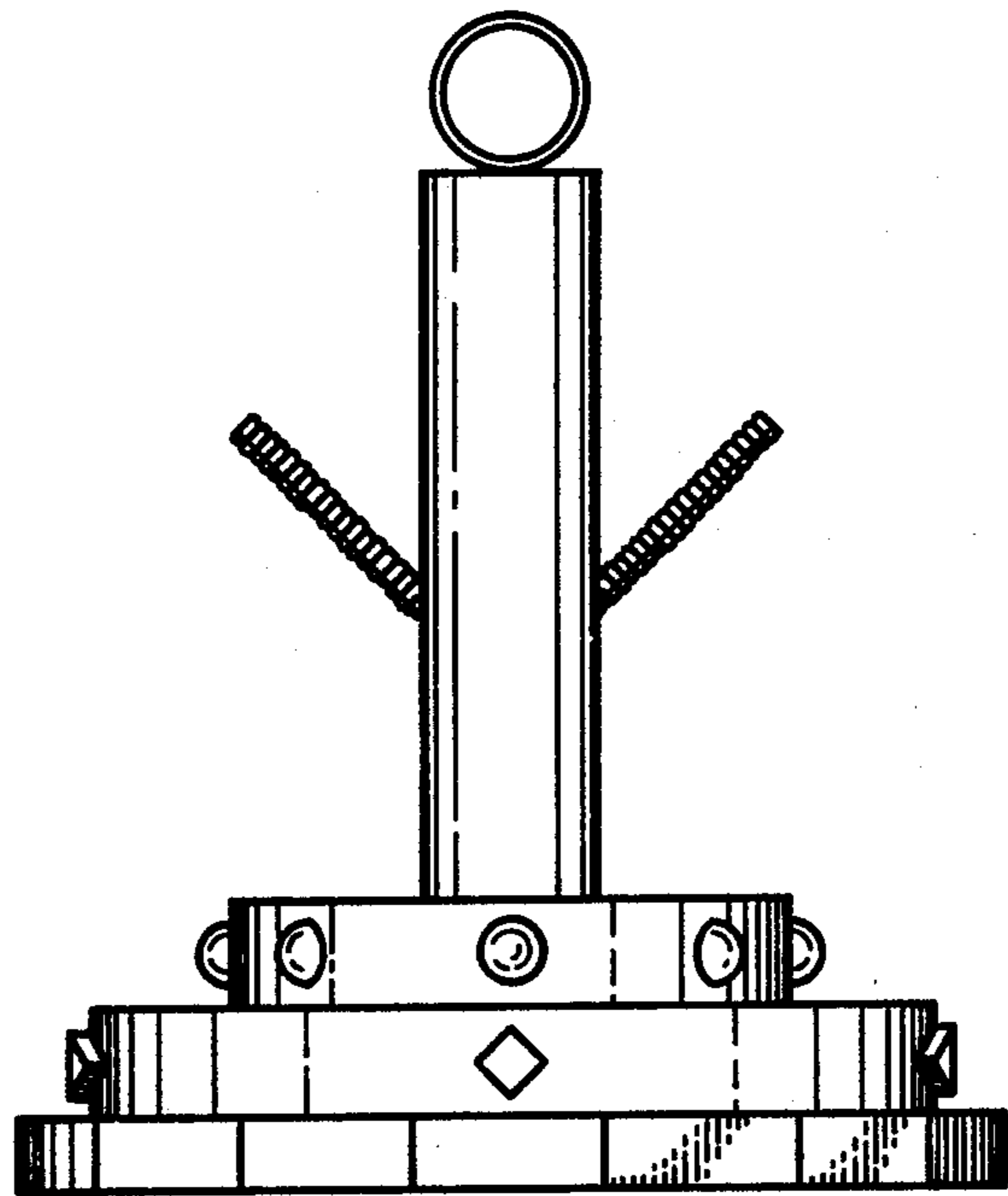


Fig. 3