

[54] BRUSH-TYPE SUCTION NOZZLE

[75] Inventor: Peter Wörwag, Romanshorn, Switzerland

[73] Assignee: Düpro AG, Romanshorn, Switzerland

[\*\*] Term: 14 Years

[21] Appl. No.: 48,062

[22] Filed: May 8, 1987

[30] Foreign Application Priority Data

Nov. 10, 1986 [DE] Fed. Rep. of Germany ... MR 26 875

[52] U.S. Cl. .... D32/33

[58] Field of Search ..... D32/1, 25, 31-33; 15/410, 415 R, 415 A, 418-422

[56] References Cited

U.S. PATENT DOCUMENTS

D. 262,708 1/1982 Essex ..... D32/33

D. 290,418 6/1987 Strohmeyer ..... D32/32

FOREIGN PATENT DOCUMENTS

83058 5/1962 France ..... 15/398

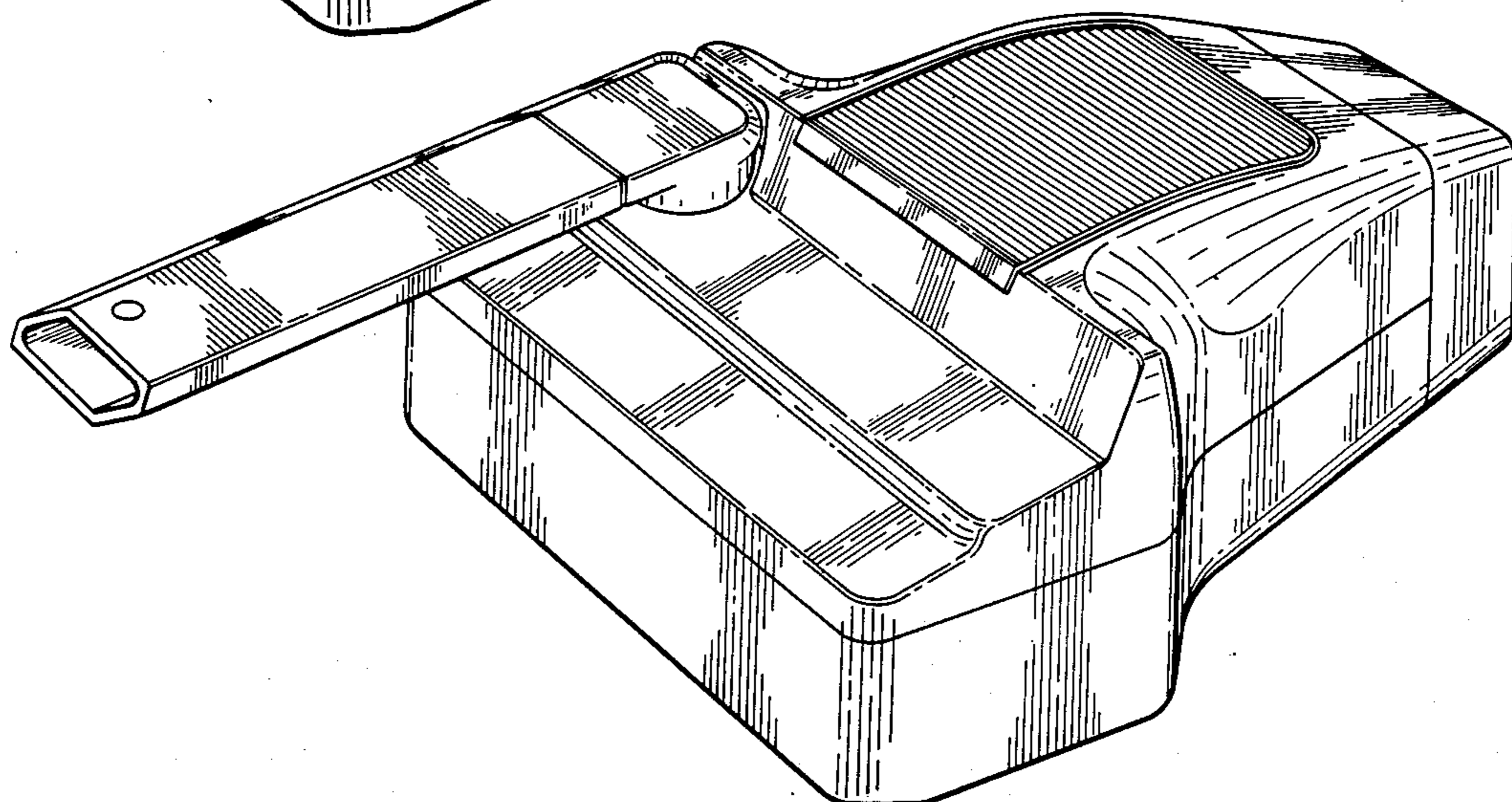
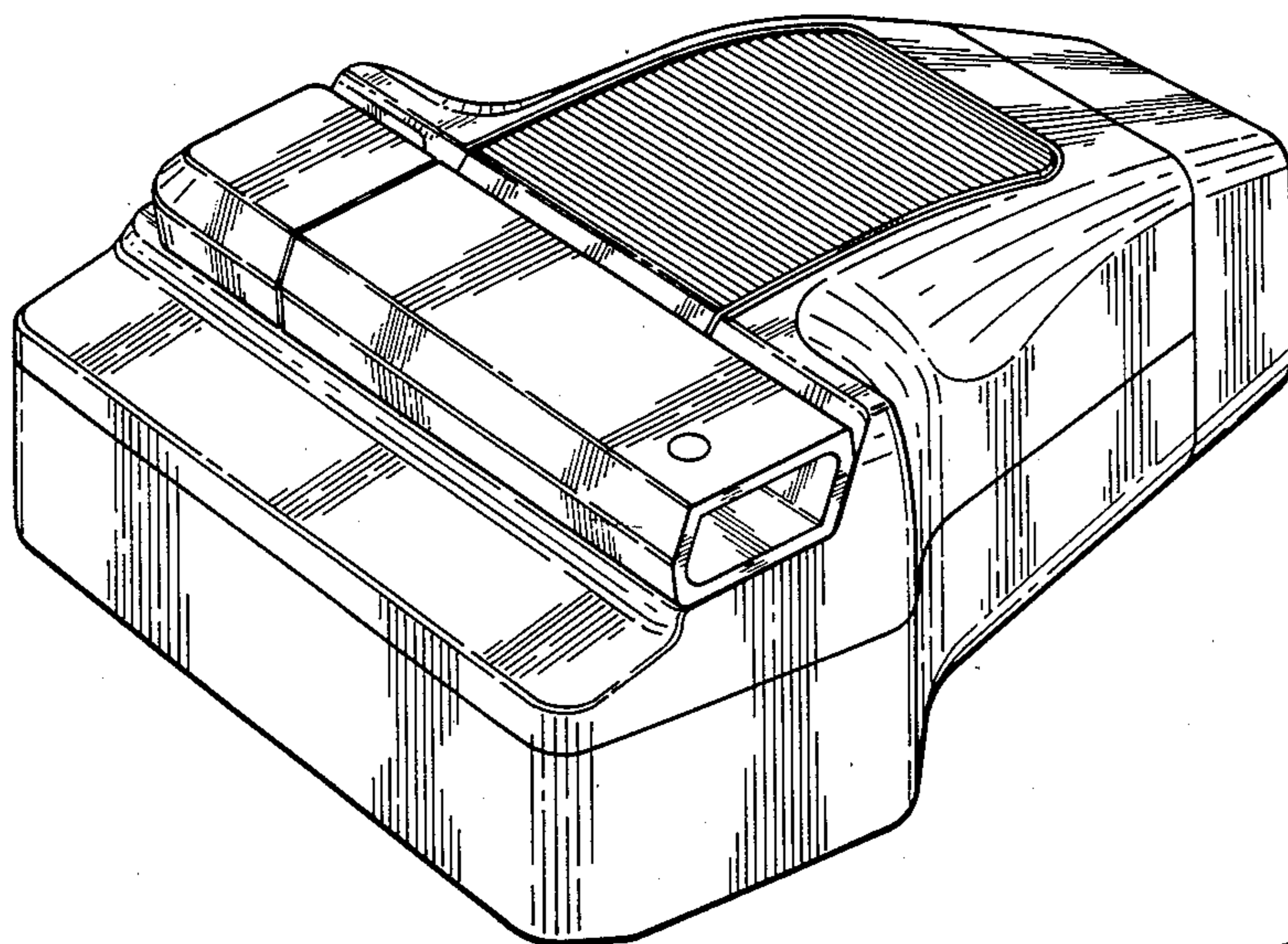
Primary Examiner—Nelson C. Holtje  
Assistant Examiner—Ruth Takemoto  
Attorney, Agent, or Firm—Robert W. Becker & Associates

[57] CLAIM

The ornamental design for a brush-type suction nozzle, as shown and described.

DESCRIPTION

FIG. 1 is a perspective view of a brush-type suction nozzle showing my new design; FIG. 2 is a top plan view thereof; FIG. 3 is a front elevational view thereof; FIG. 4 is a left side elevational view thereof; FIG. 5 is a right side elevational view thereof; FIG. 6 is a bottom plan view thereof; FIG. 7 is a rear elevational view thereof; and FIG. 8 is a perspective view thereof with an arm extended.



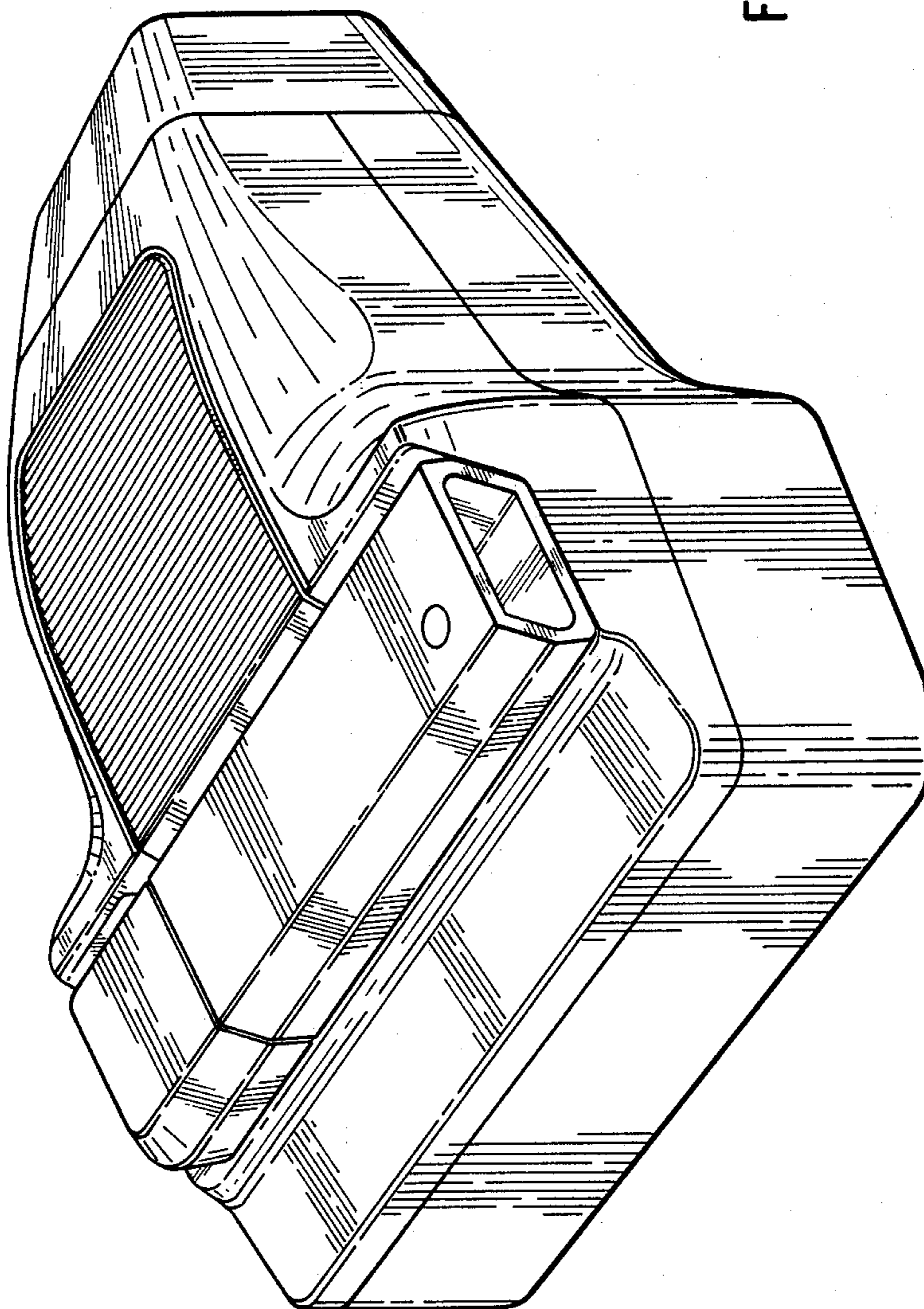


FIG. 1

FIG. 2

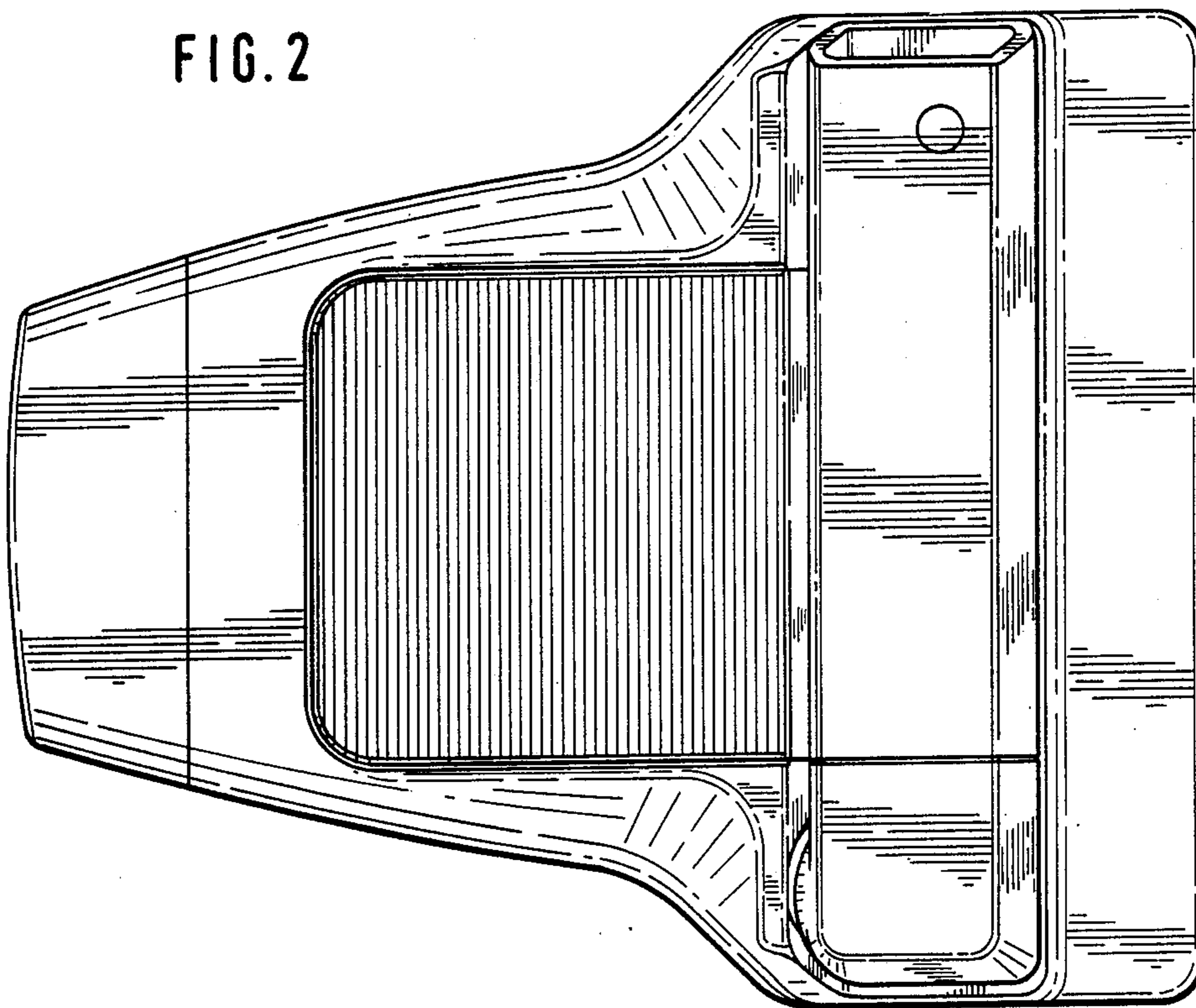


FIG. 3

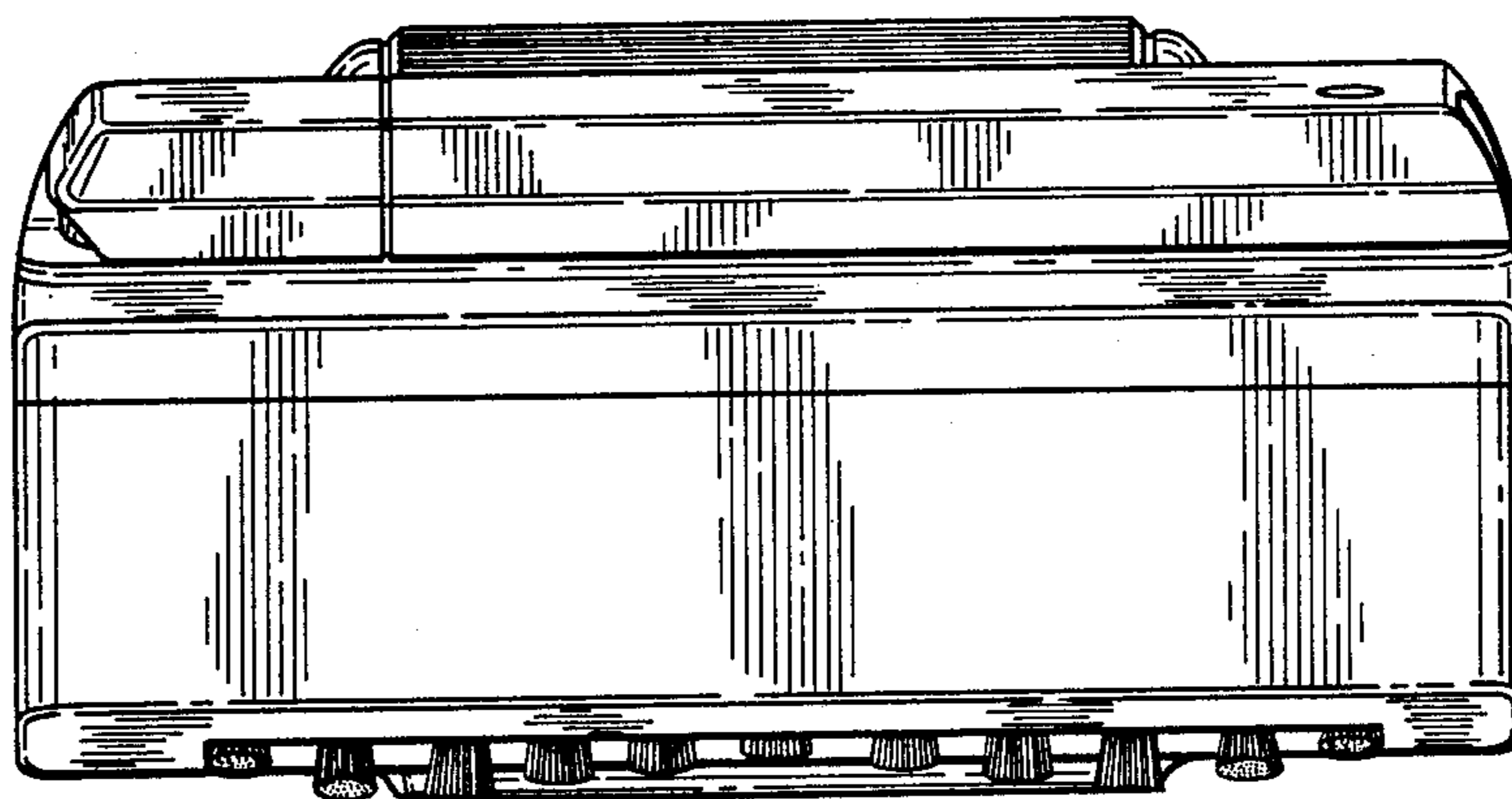


FIG. 4

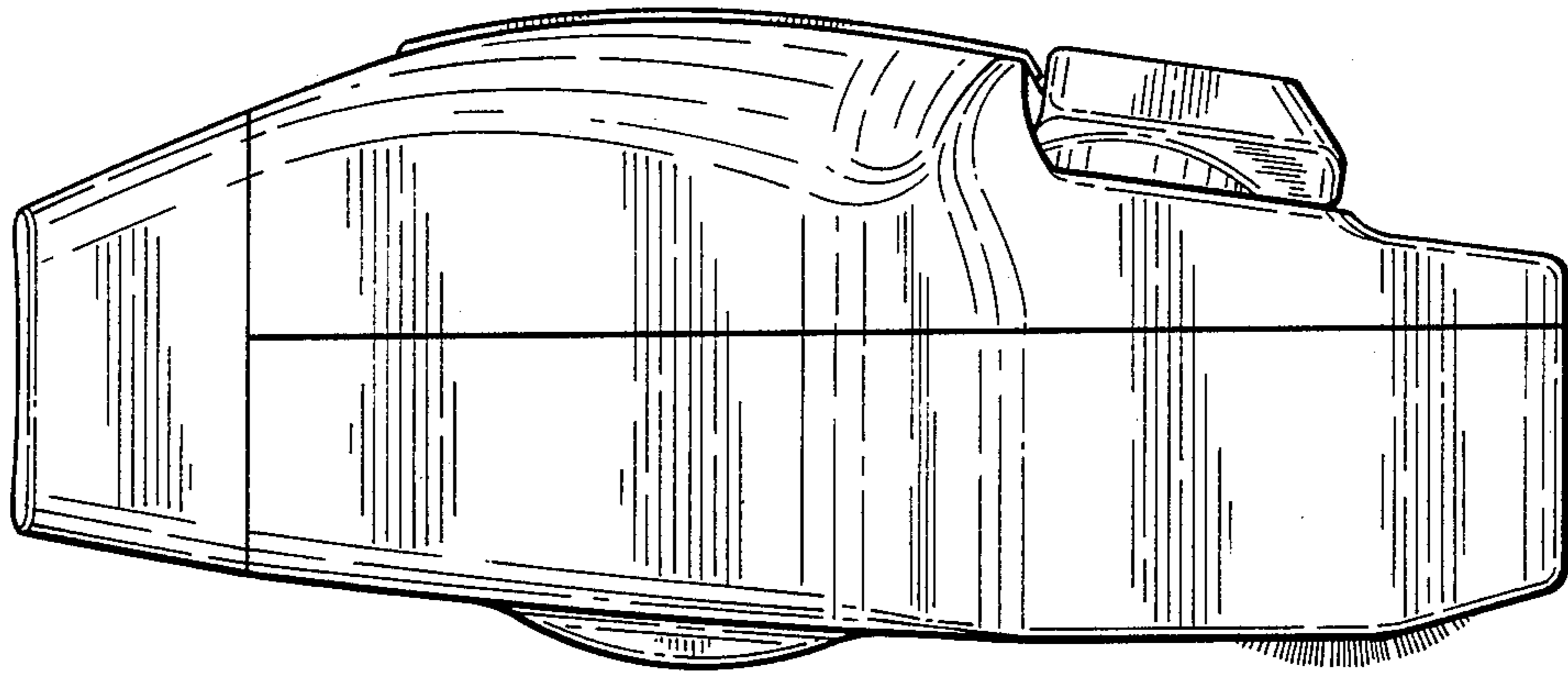


FIG. 5

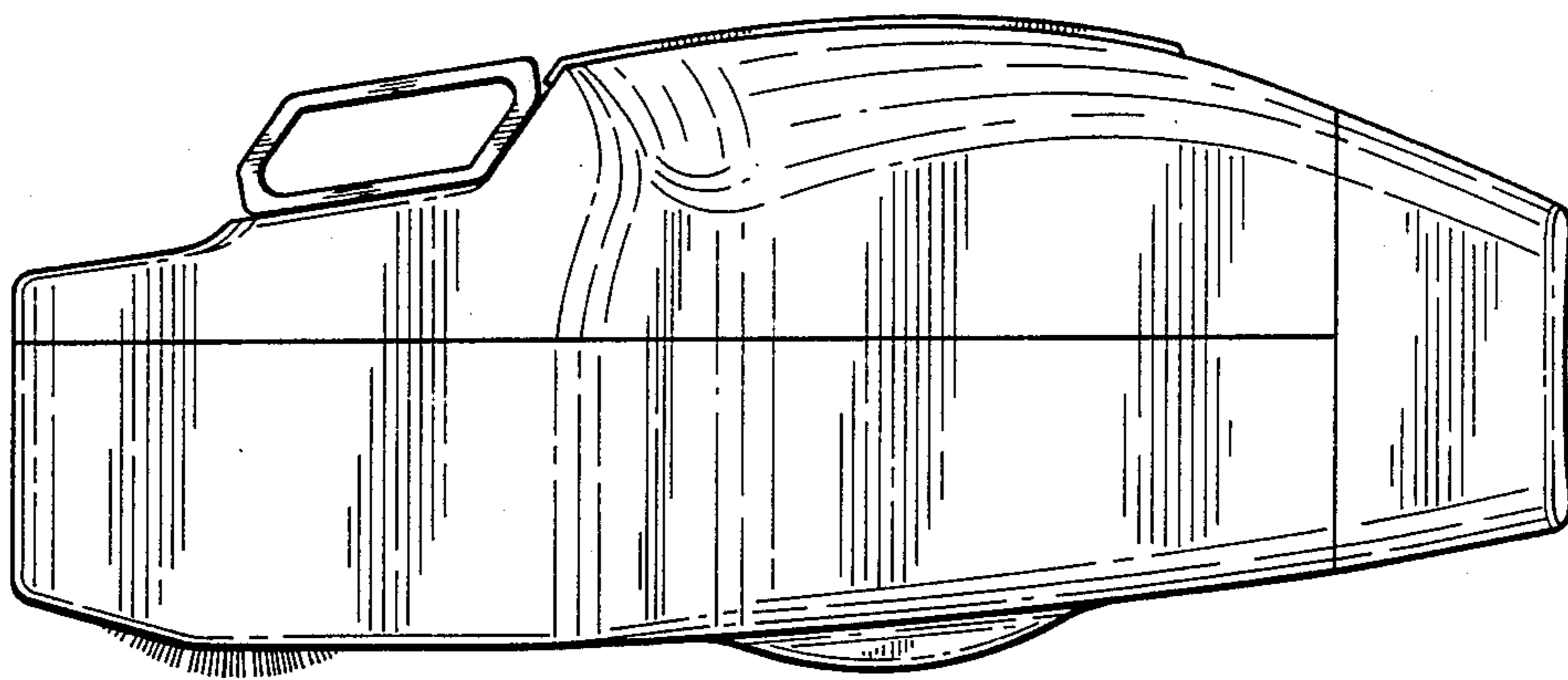


FIG. 6

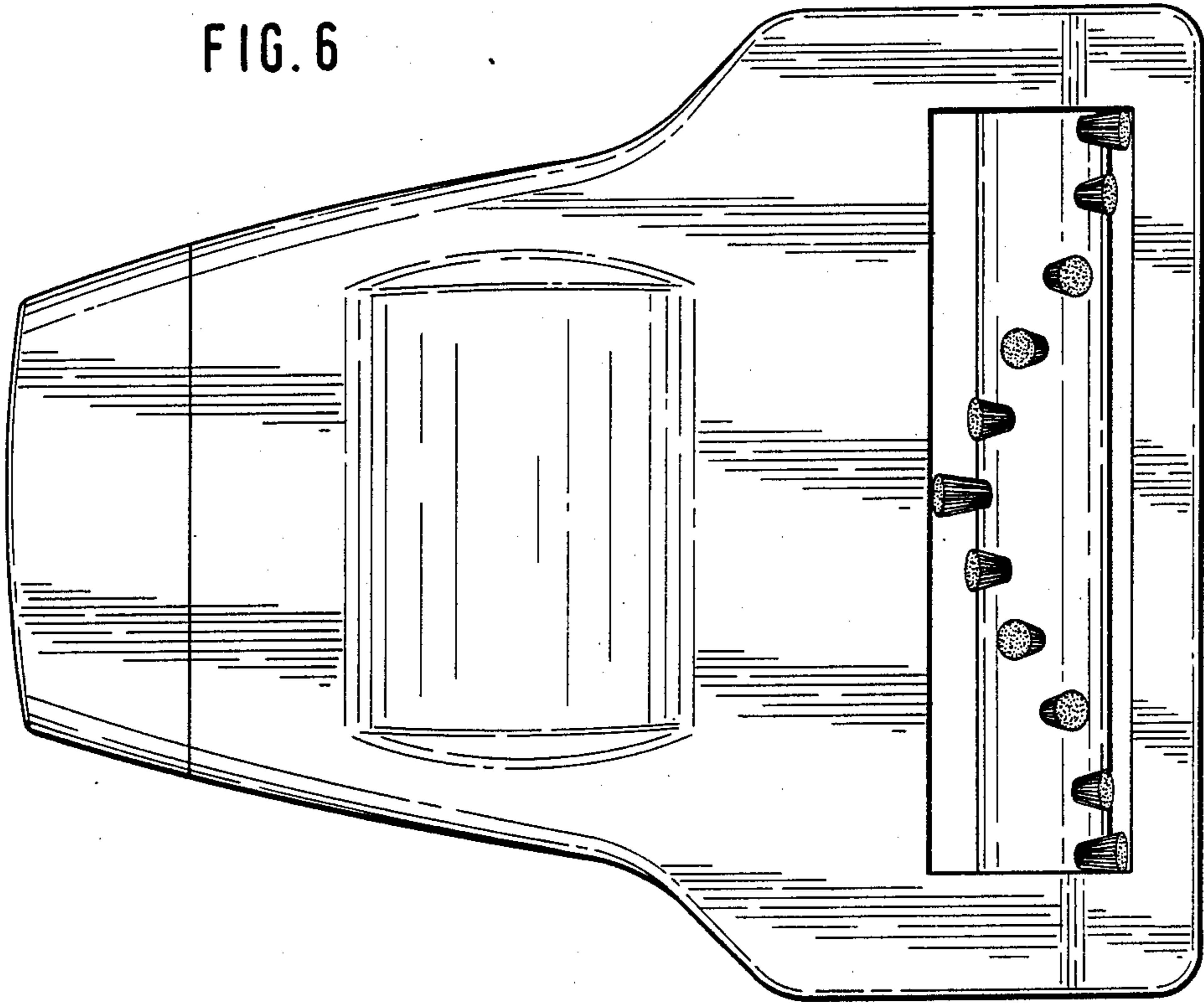
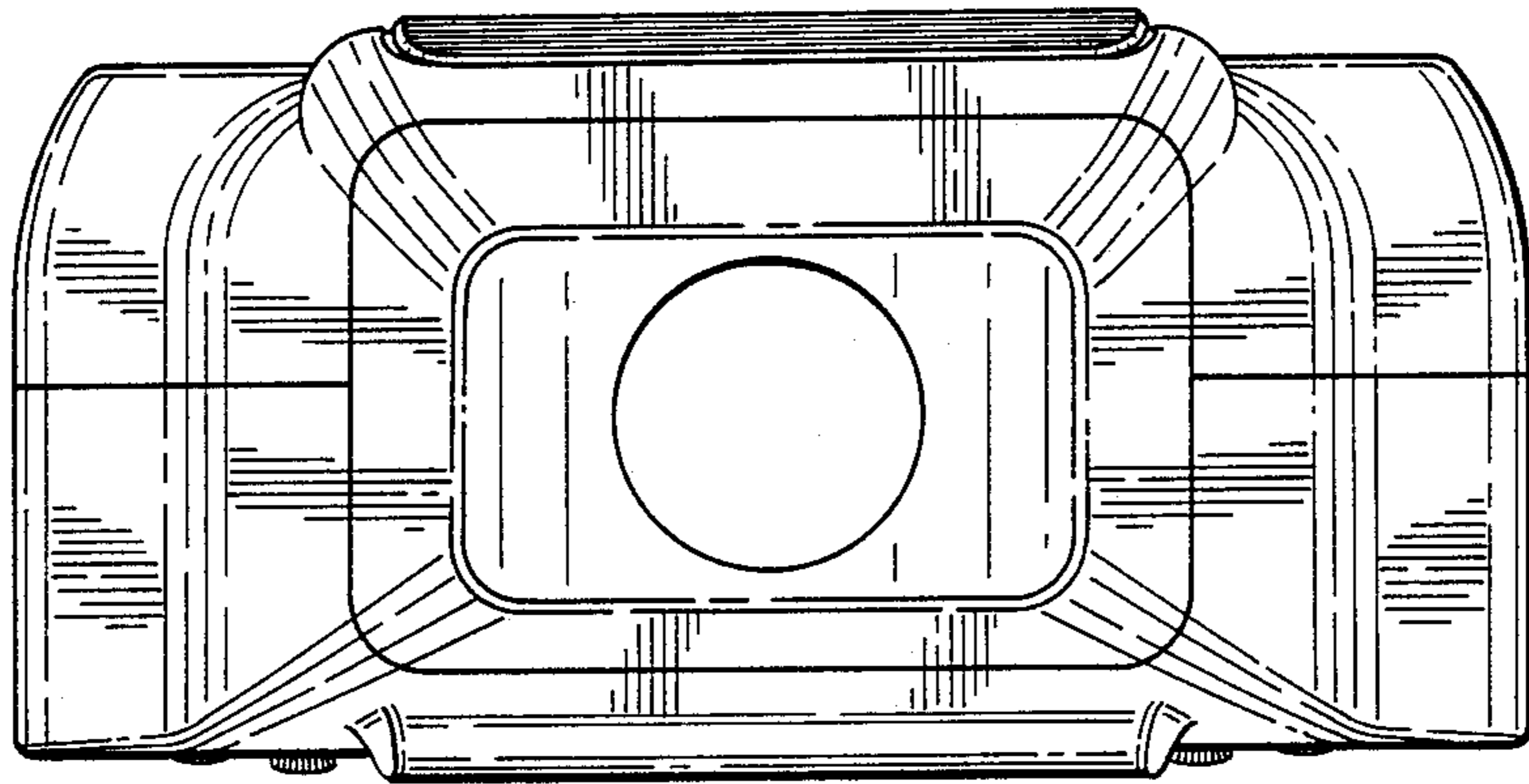


FIG. 7



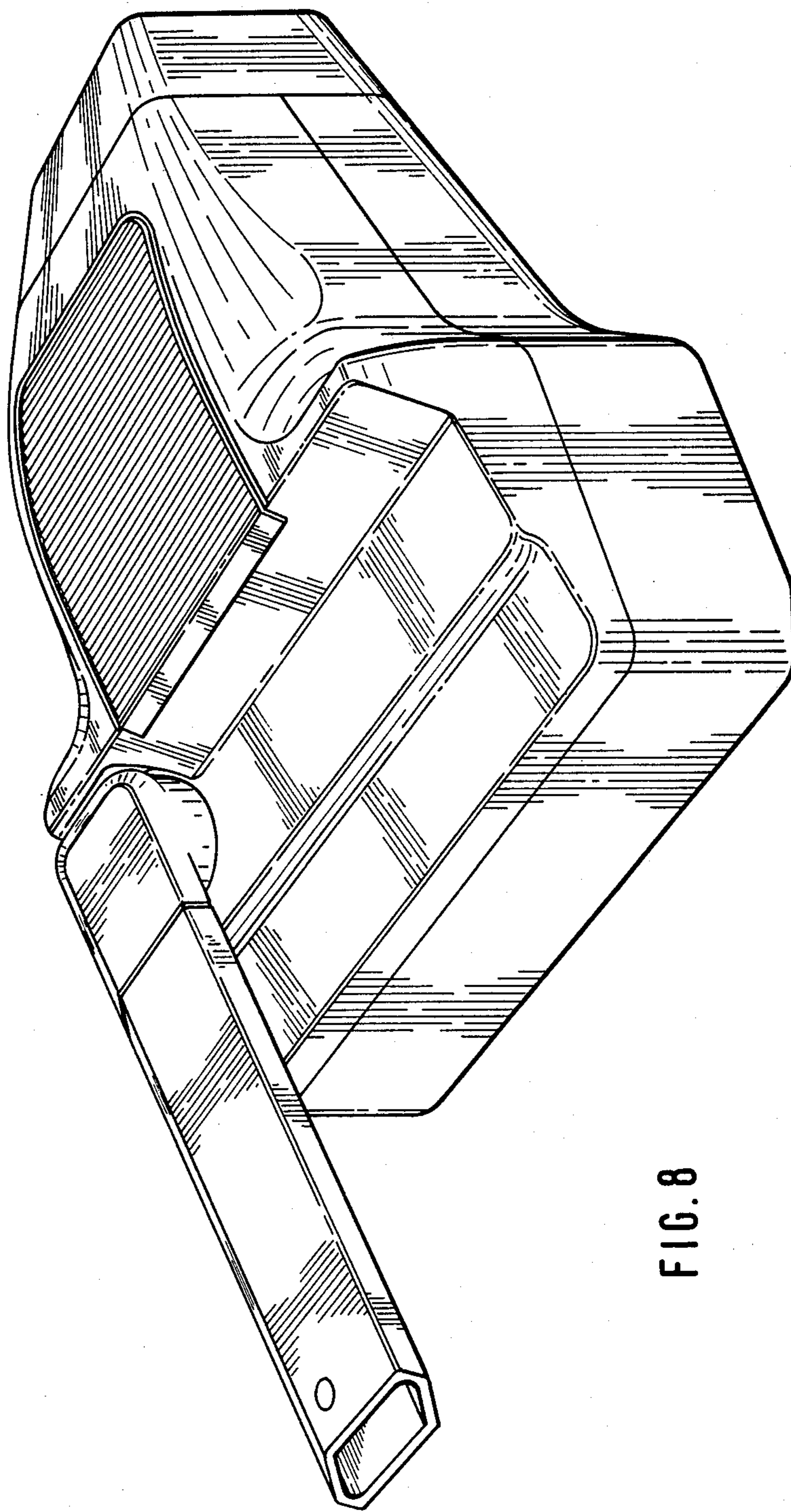


FIG. 8