

[54] SPRAY-TYPE VACUUM CLEANING NOZZLE

[75] Inventors: Tom A. McAllister, Mississauga; John S. McAllister, Pickering; William R. Bonnar, Whitby, all of Canada

[73] Assignee: American Home Products Corporation, New York, N.Y.

[**] Term: 14 Years

[21] Appl. No.: 113,804

[22] Filed: Oct. 26, 1987

[30] Foreign Application Priority Data

Aug. 5, 1987 [CA] Canada 05-05-87-3

[52] U.S. Cl. D32/32

[58] Field of Search D32/1, 25, 31-33, D32/17-18; 15/410, 415 R, 415 A, 418-422, 245, 320-322, 353, 389, 334, 398; 401/40-42

[56] References Cited

U.S. PATENT DOCUMENTS

D. 239,243	3/1976	Hachtmann et al.	D32/32
D. 264,139	4/1982	Pearman, Jr.	D32/33
D. 266,962	11/1982	Hachtmann et al.	D32/33
4,074,387	2/1978	Arato et al.	15/322
4,083,077	4/1978	Knight et al.	15/322
4,649,594	3/1987	Grave	15/322

Primary Examiner—Nelson C. Holtje
Assistant Examiner—Ruth Takemoto
Attorney, Agent, or Firm—Darby & Darby

[57] CLAIM

The ornamental design for a spray-type vacuum cleaning nozzle, as shown and described.

DESCRIPTION

FIG. 1 is a perspective view of a spray-type vacuum cleaning nozzle showing our new design; FIG. 2 is a top plan view thereof; FIG. 3 is a right side elevational view thereof, the left side being a mirror image; FIG. 4 is a bottom plan view thereof; FIG. 5 is a front elevational view thereof; and FIG. 6 is a rear elevational view thereof.

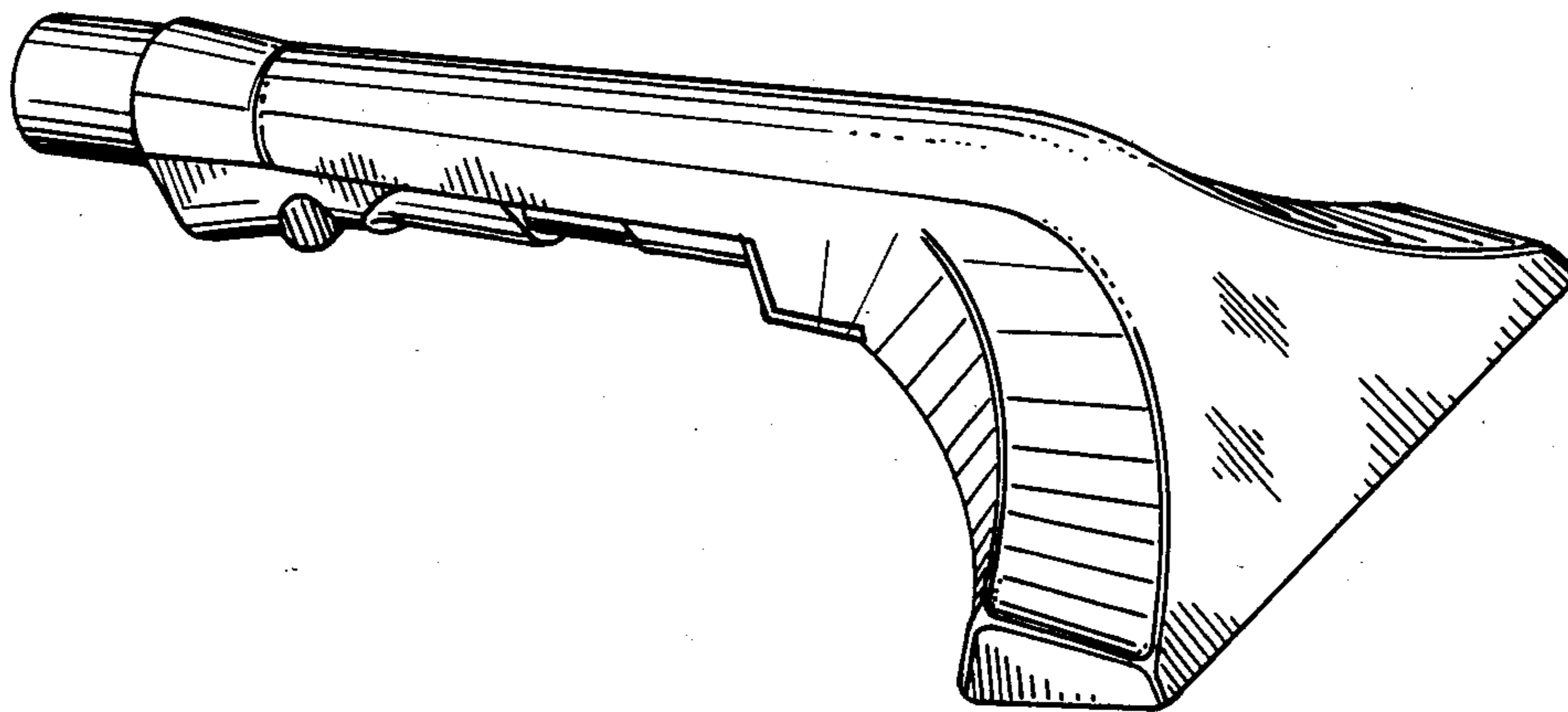


FIG. 1

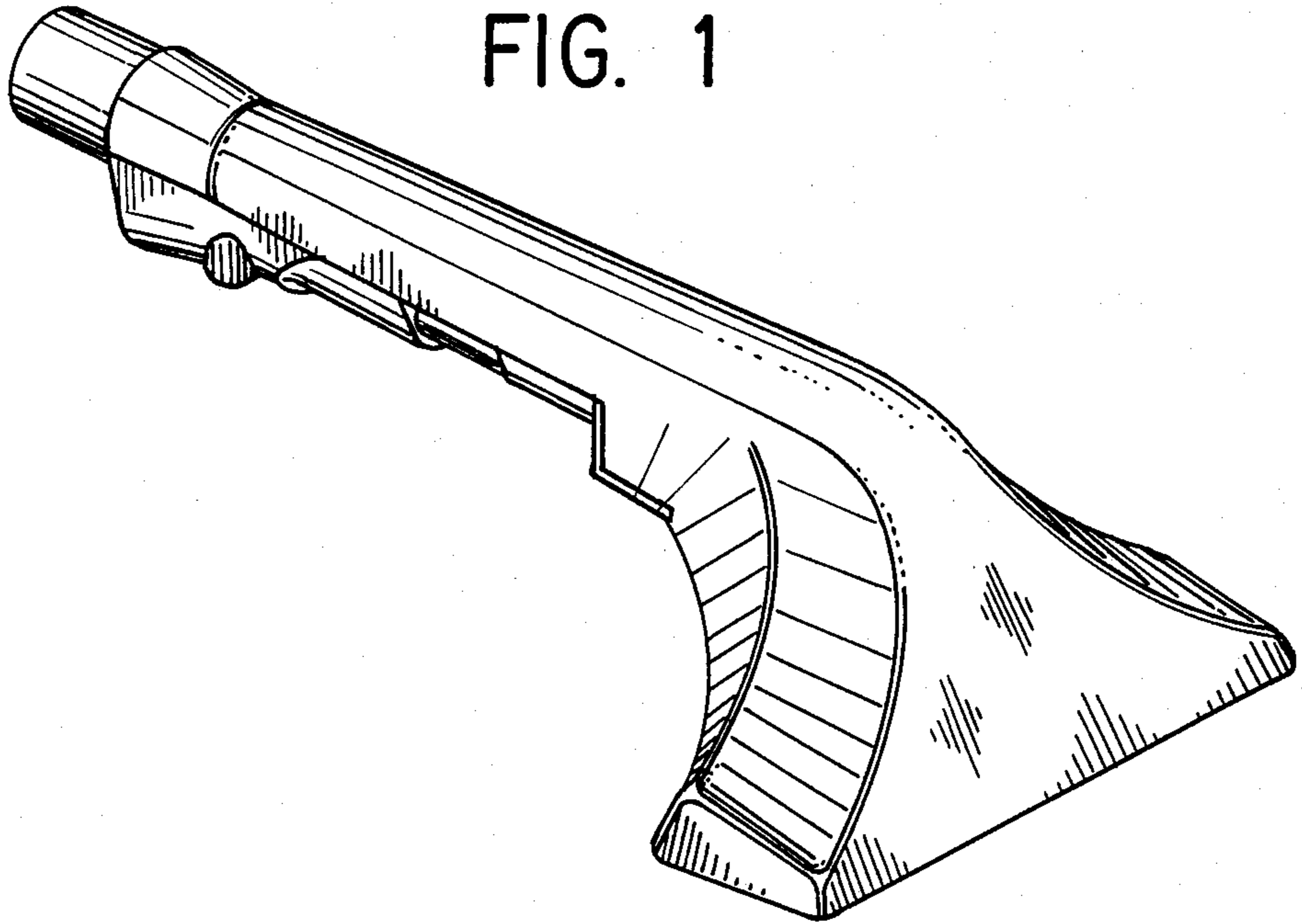


FIG. 2

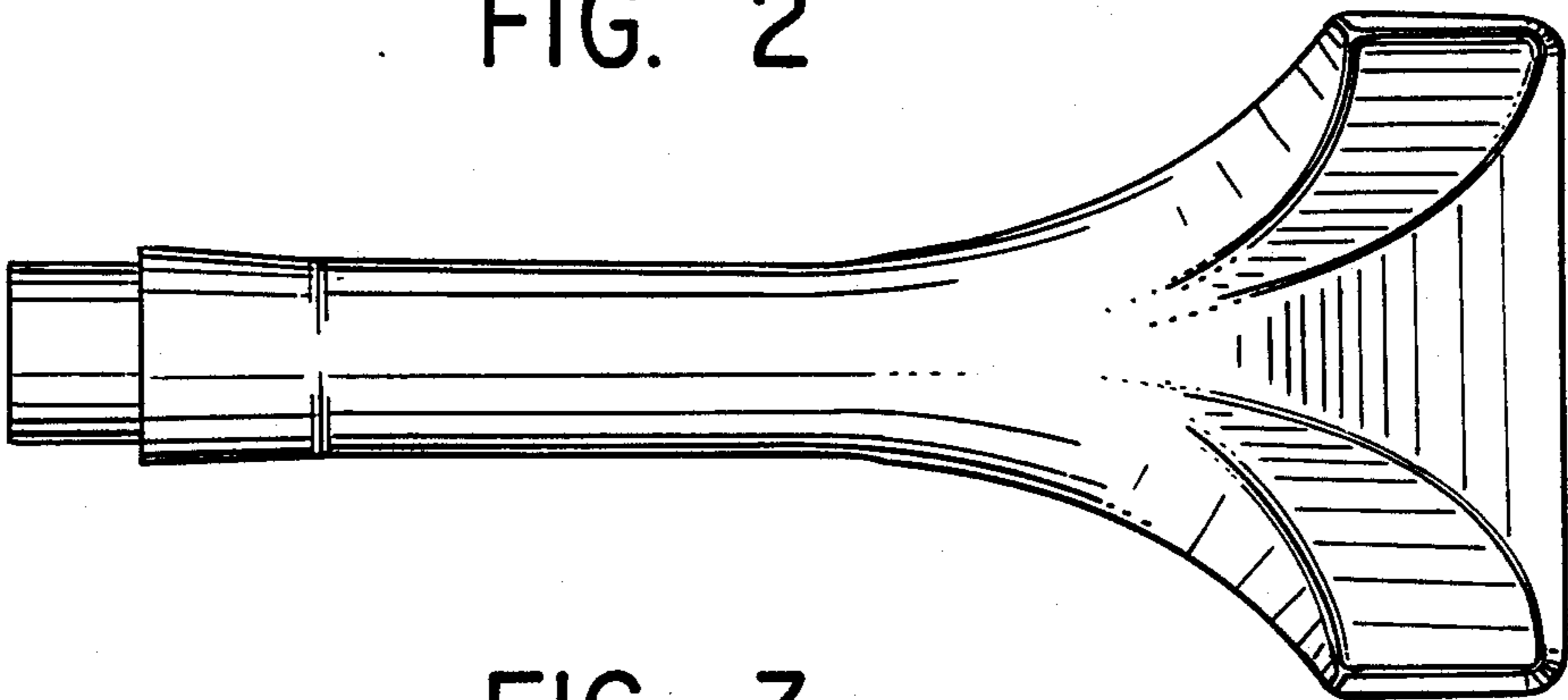


FIG. 3

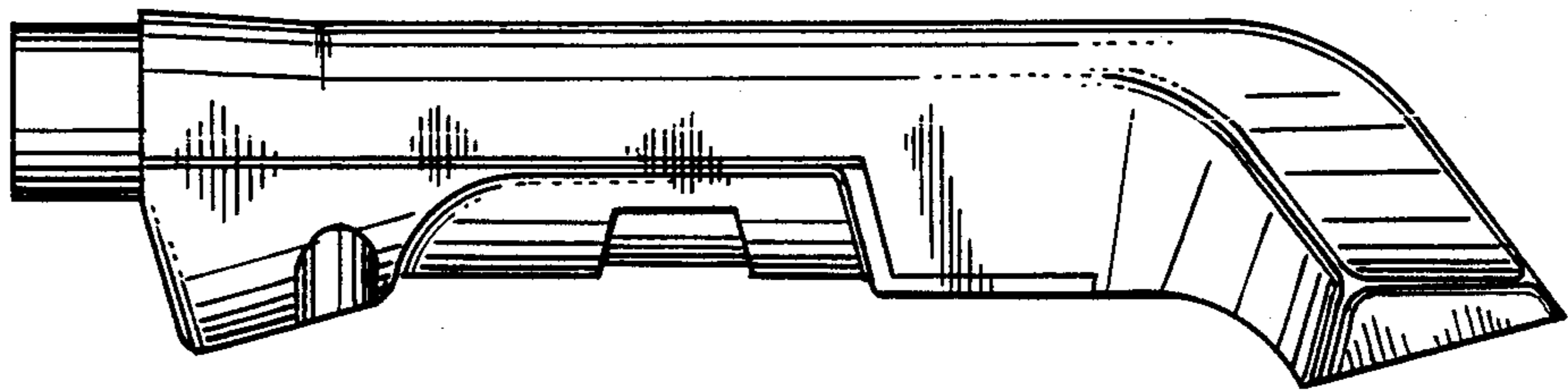


FIG. 4

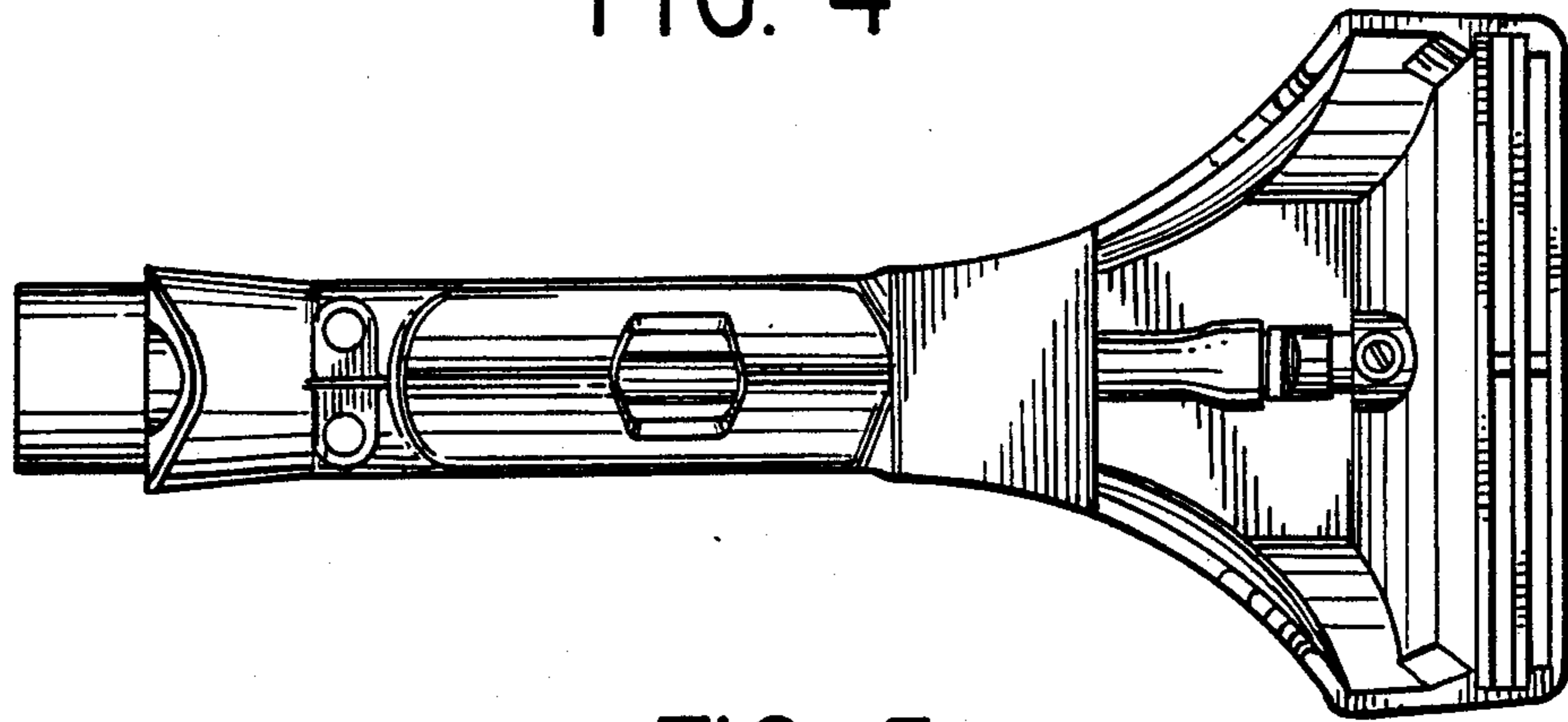


FIG. 5

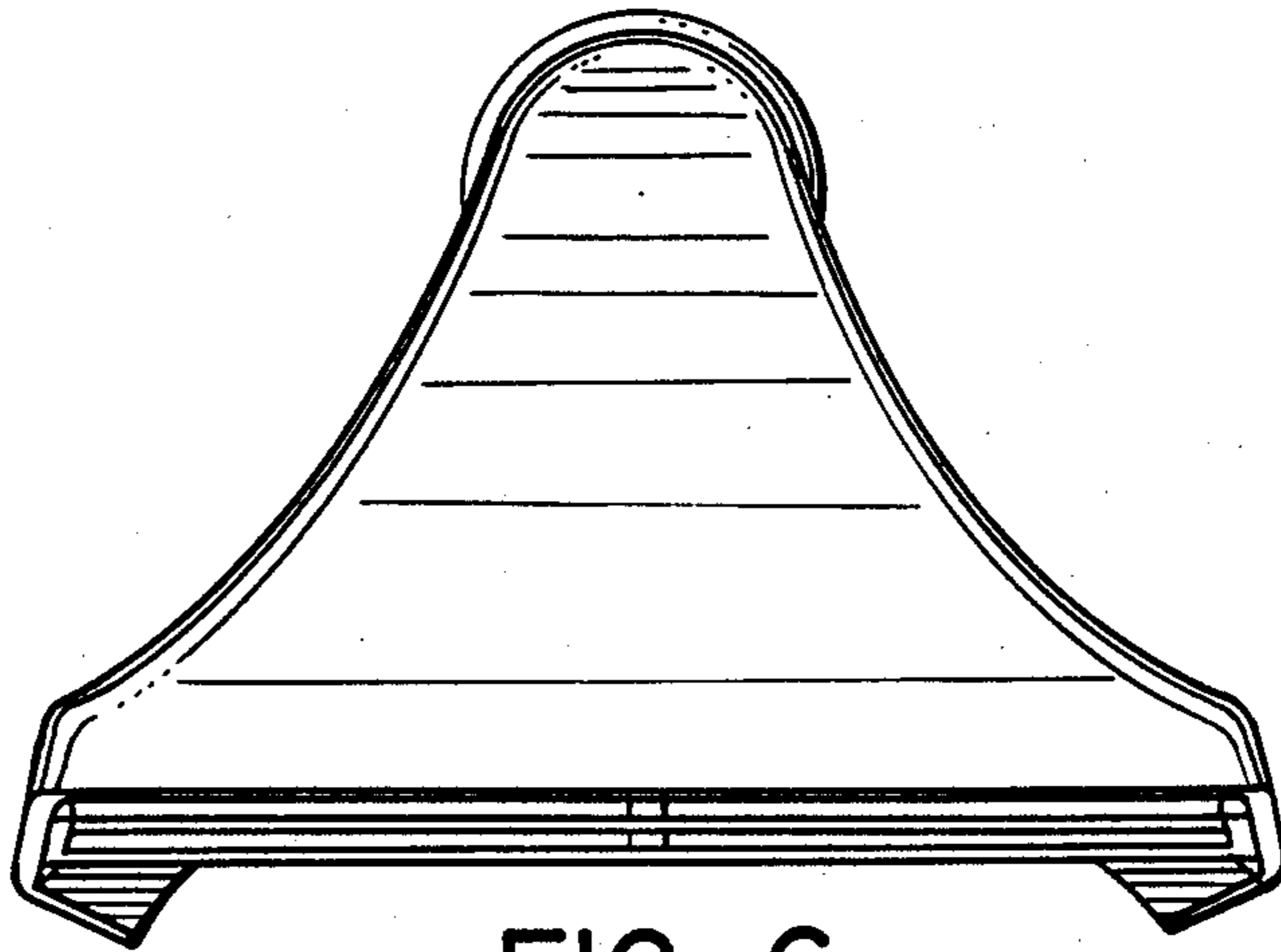


FIG. 6

