

[54] **DUST AND DEBRIS COLLECTOR FOR USE WITH POWER DRILLS**

[76] **Inventor: William S. Candella, 272 Wildwood Dr., Youngstown, Ohio 44512**

[**] **Term: 14 Years**

[21] **Appl. No.: 922,145**

[22] **Filed: Oct. 22, 1986**

[52] **U.S. Cl. D32/31; D32/35**

[58] **Field of Search D32/31-33, D32/35; 15/257 R, 257 A, 257 B, 415 R, 415 A, 416**

[56] **References Cited**

U.S. PATENT DOCUMENTS

D. 280,144	8/1985	Cooney	D32/35
2,228,743	1/1941	Belanger	15/415 X
4,409,699	10/1983	Moorhouse	15/415 R

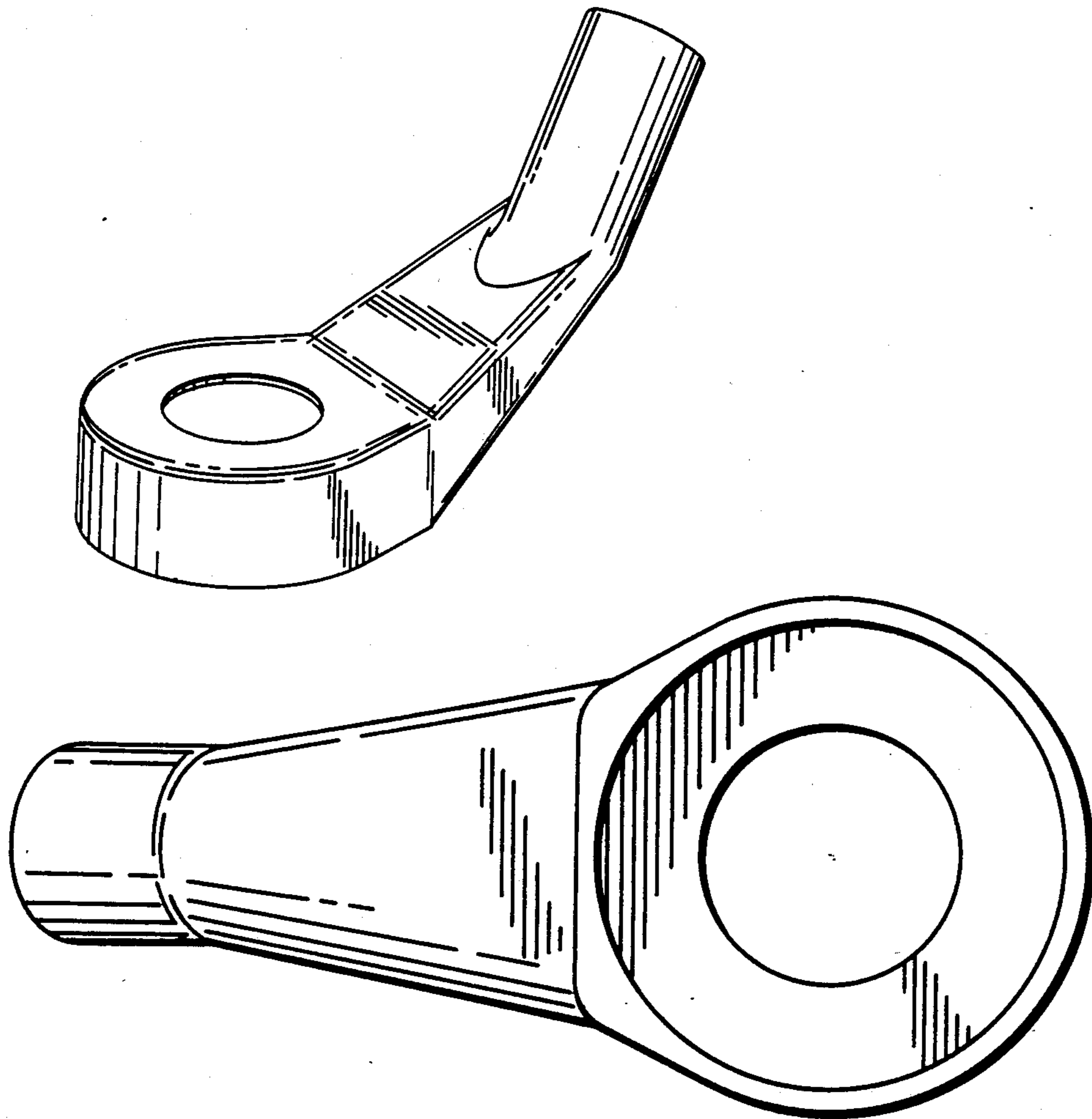
Primary Examiner—Wallace R. Burke
Assistant Examiner—Lavone D. Tabor
Attorney, Agent, or Firm—Harpman & Harpman

[57] **CLAIM**

The ornamental design for a dust and debris collector for use with power drills, as shown and described.

DESCRIPTION

FIG. 1 is a perspective view of a dust and debris collector for use with power drills showing my new design; FIG. 2 is a side elevation thereof; FIG. 3 is a front elevation thereof; FIG. 4 is a rear elevation thereof; and FIG. 5 is a bottom plan view thereof.



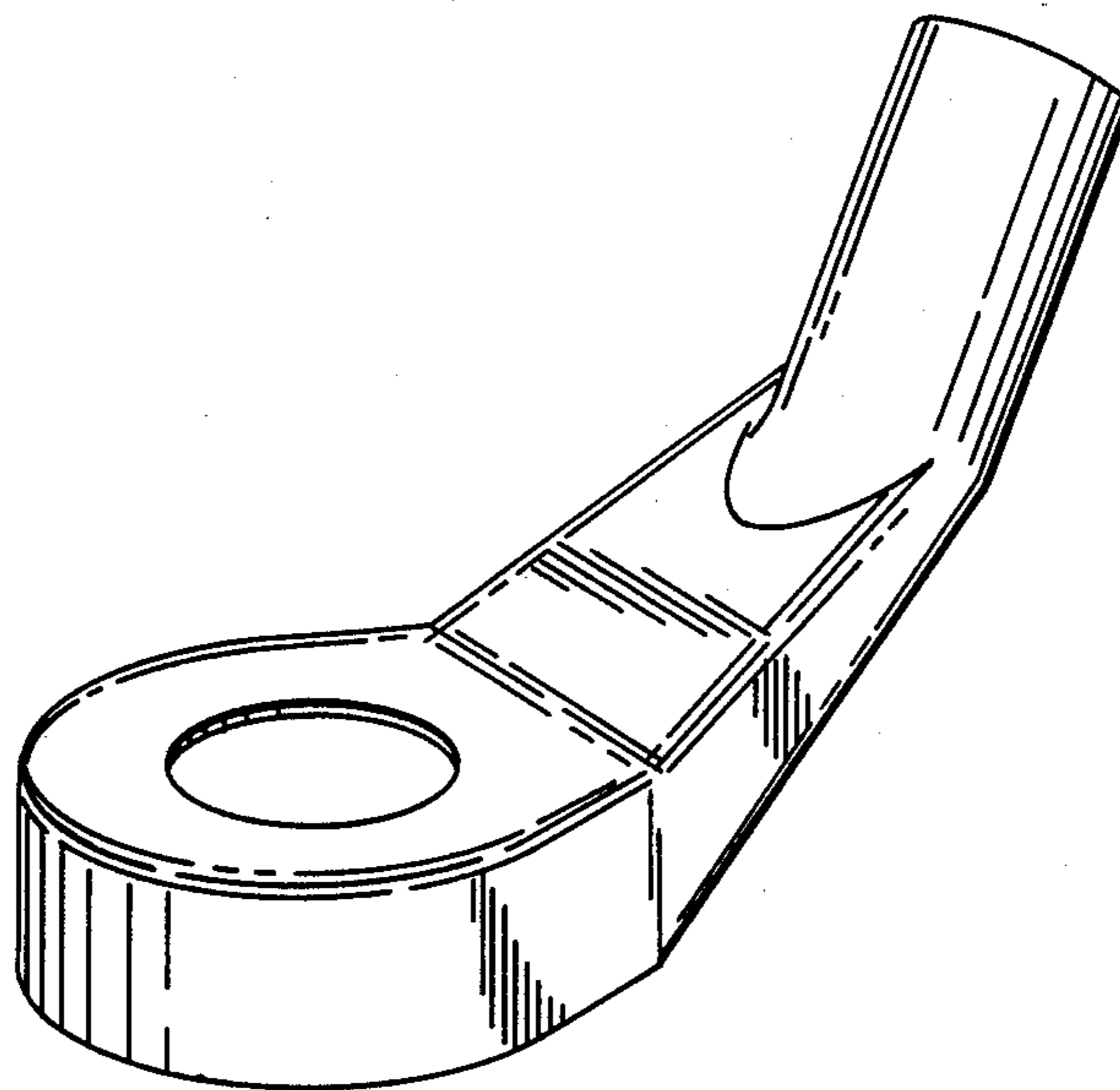


FIG. 1

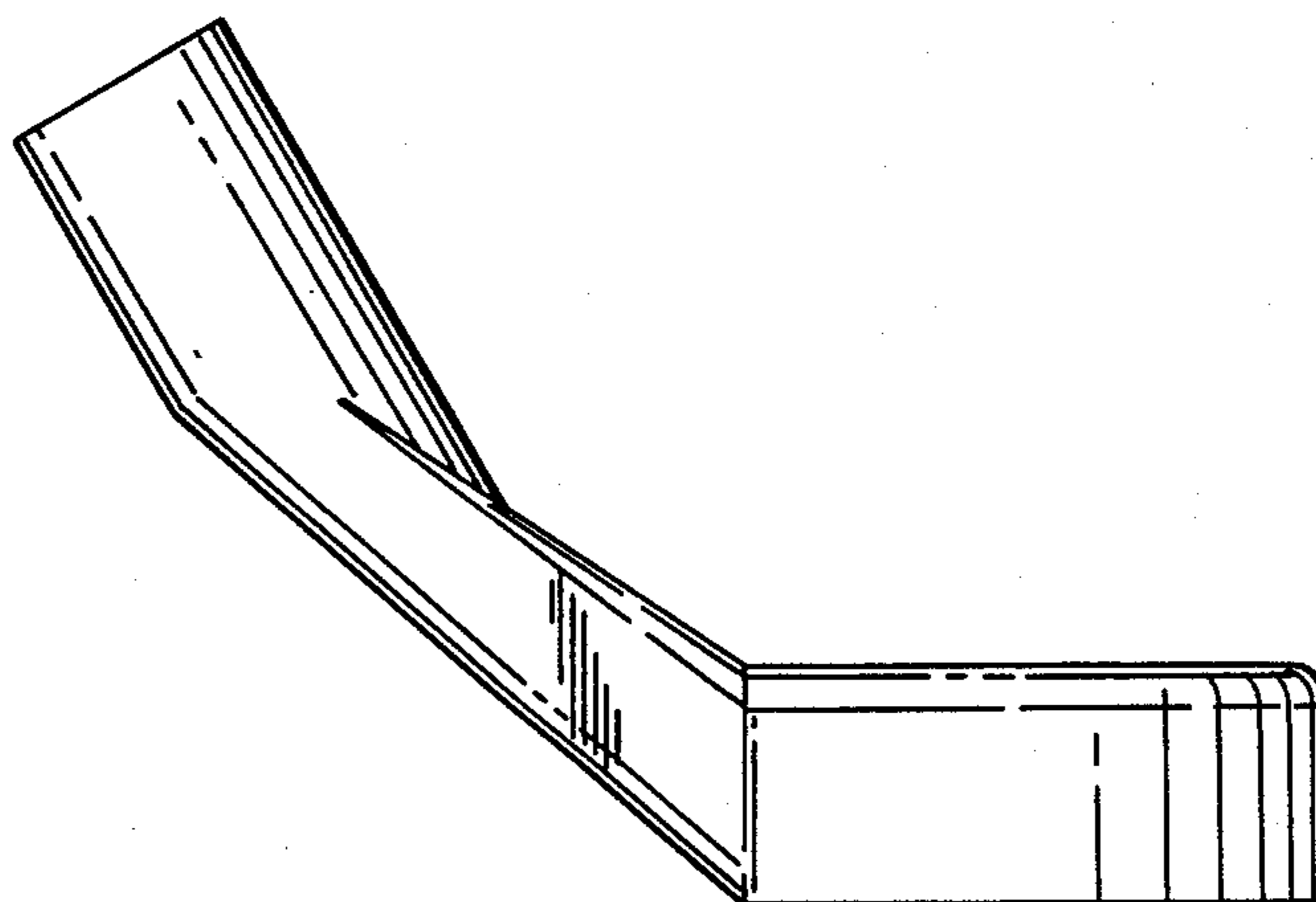


FIG. 2

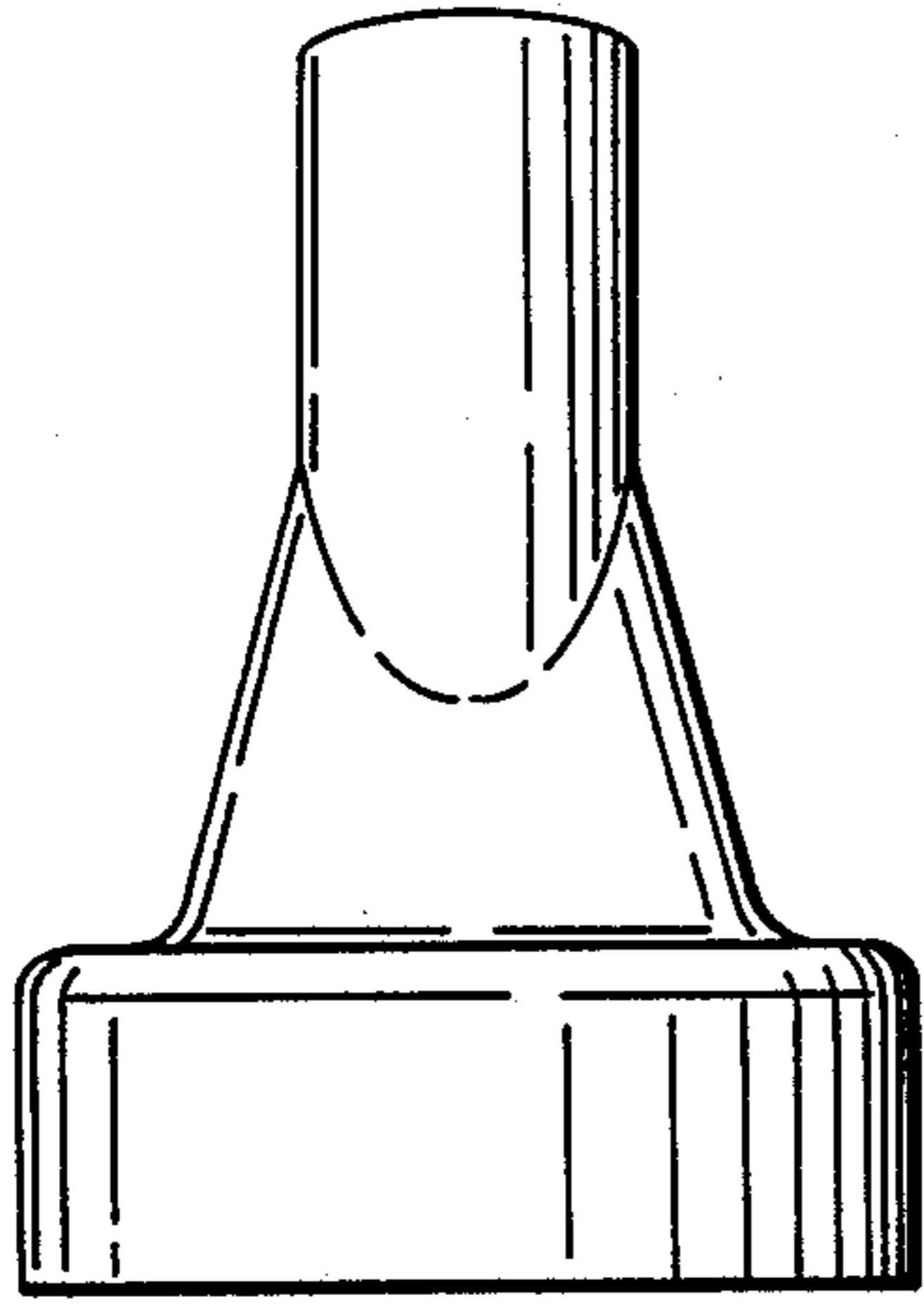


FIG. 3

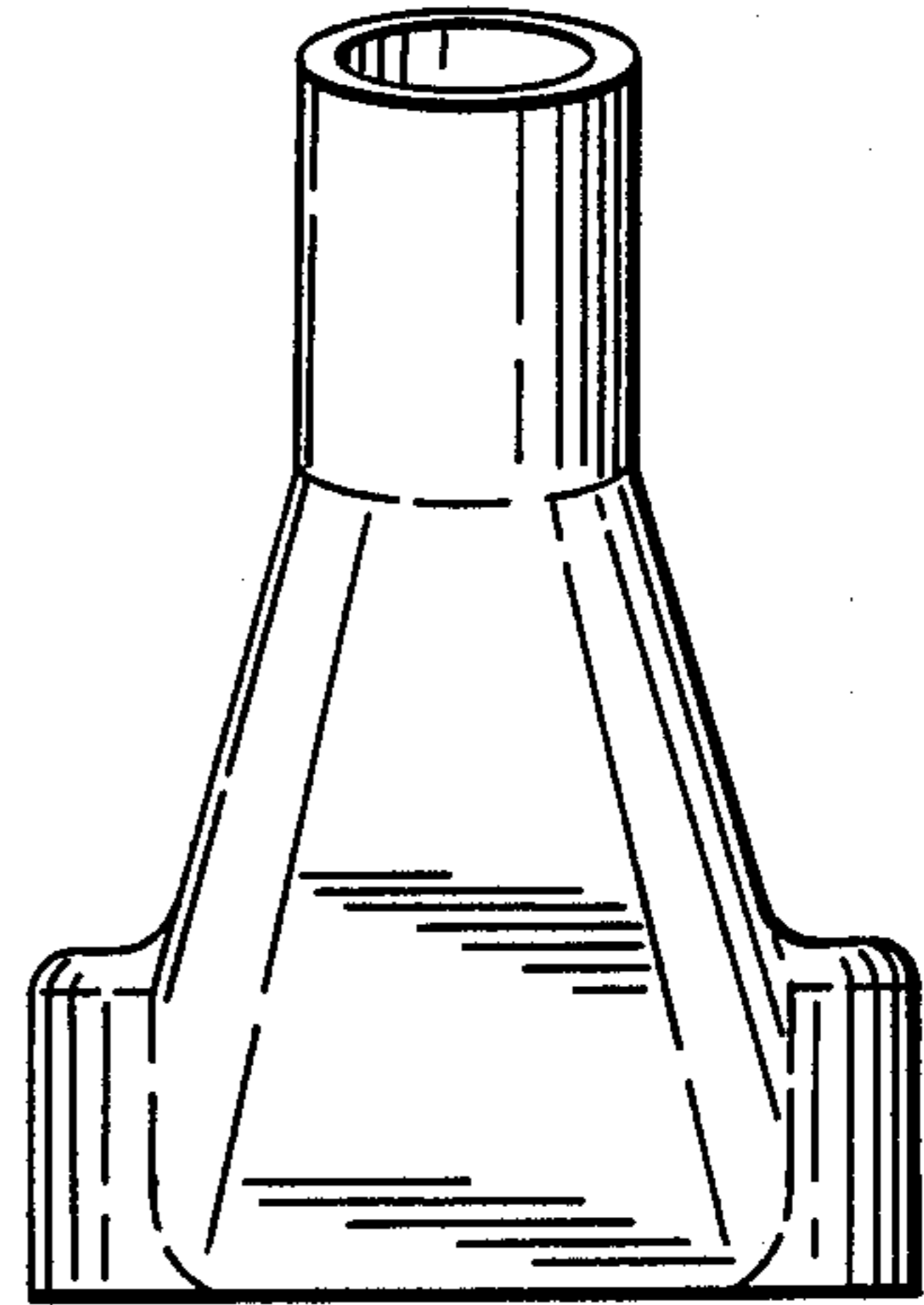


FIG. 4

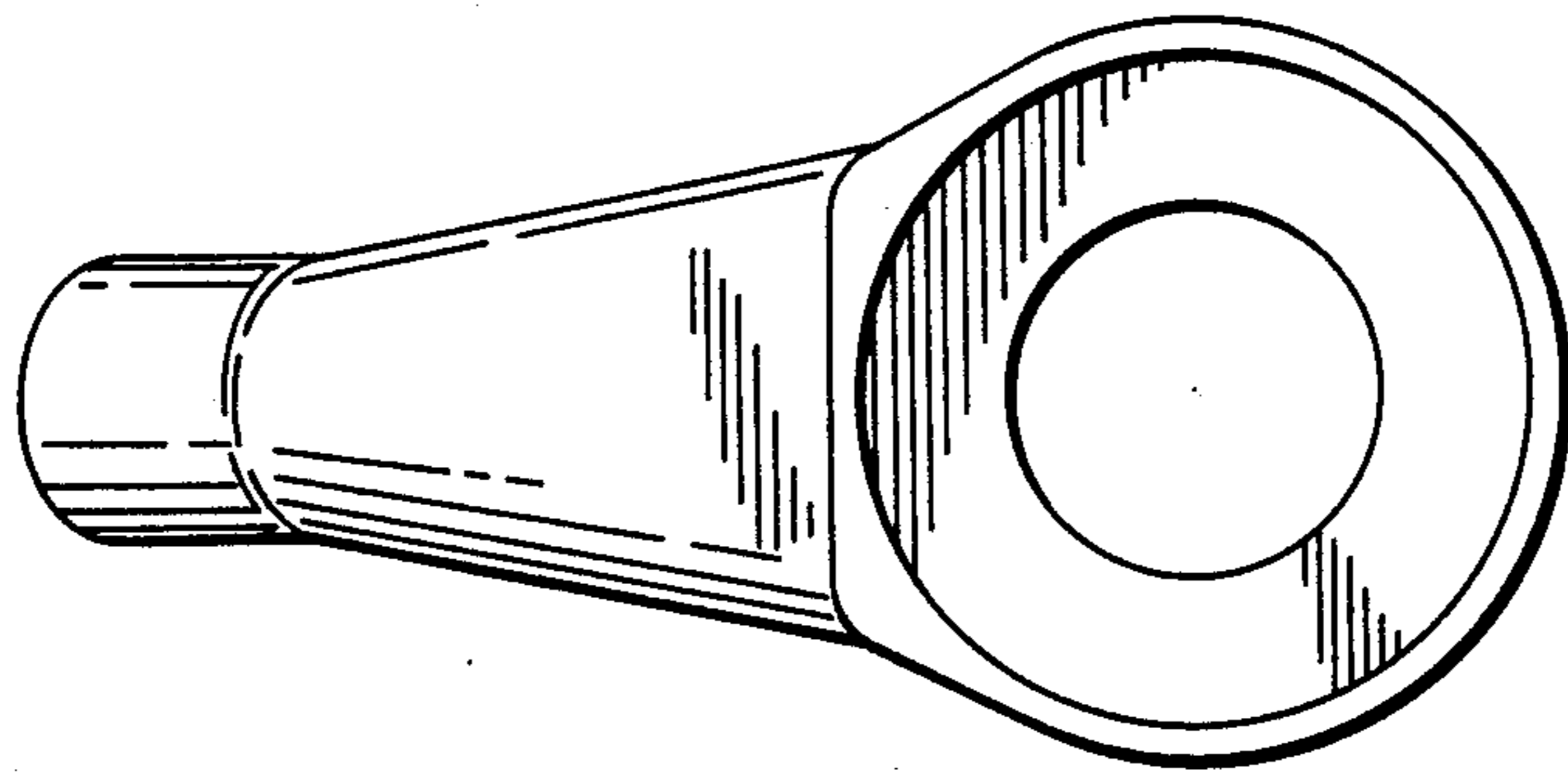


FIG. 5