

[54] PARTS WASHER APPARATUS

[76] Inventor: Stepehn E. Stoto, P.O. Box 324, 8519 Larkdale Rd., San Gabriel, Calif. 91776

[\*\*] Term: 14 Years

[21] Appl. No.: 44,554

[22] Filed: Apr. 30, 1987

[52] U.S. Cl. .... D32/1

[58] Field of Search ..... D32/1-2, D32/13, 4, 29; 134/102, 109, 111, 135, 169 A, 172, 174, 198, 200

[56] References Cited

U.S. PATENT DOCUMENTS

- D. 190,074 4/1961 Harmes et al. .... D32/4
- D. 202,810 11/1965 Goodrich ..... D32/4
- 3,297,257 1/1967 Roser ..... 134/102
- 4,671,230 6/1987 Turnipseed ..... 134/169 A

OTHER PUBLICATIONS

Flyer depicting a Model H-28 Mini Pressure-Cleaner, Hopper Enterprises, Stanton, Calif. (5 pages).  
 Flyer depicting an Olcott GOC-2739 Jet Spray Washer, Geo. Olcott Co., Allegan, MI (1958) (2 pages).

Flyer depicting a JW24 Jet Washer, Winona Van Norman, Division of Hein-Werner Corporation. (1 page).

Flyer depicting a Mark II Dual Action Jet Clean Cleaning Machine, Storm, Vulcan, Dallas, Tex. (2 pages).

Flyer depicting an Automatic Spray Cabinet Model SC4000, R & D Kamas (1 page).

Flyer depicting Spray Action Parts Washers, Torque Converter Flushers, and Oil Cooler and Line Flushers, Better Engineering. (1 page).

Primary Examiner—Bruce W. Dunkins

Assistant Examiner—Ruth Takemoto

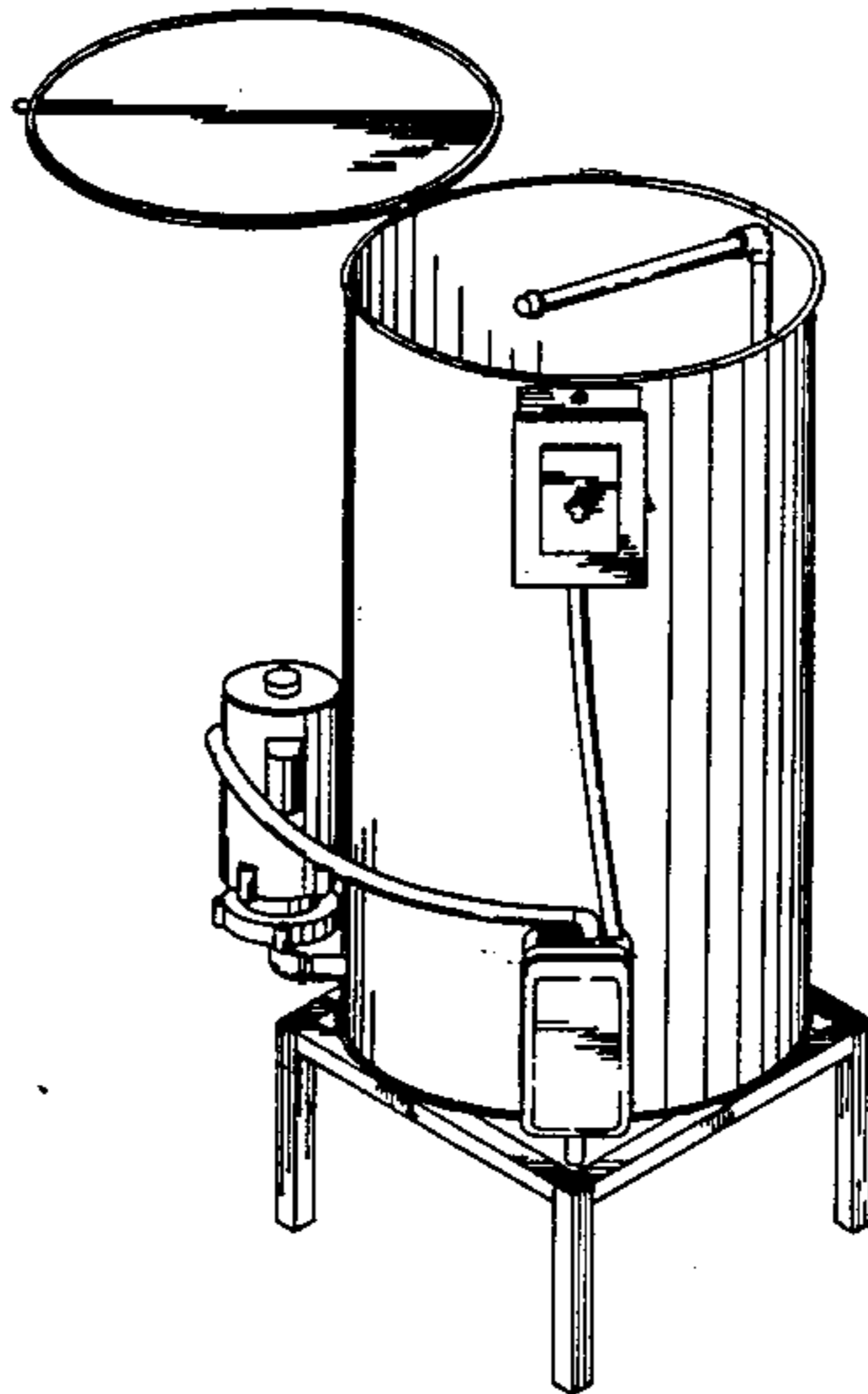
Attorney, Agent, or Firm—Sheldon & Mak

[57] CLAIM

The ornamental design for a parts washer apparatus, as shown and described.

DESCRIPTION

FIG. 1 is a front perspective view of a parts washer apparatus showing my new design;  
 FIG. 2 is a front elevational view thereof;  
 FIG. 3 is a right side elevational view thereof;  
 FIG. 4 is a rear elevational view thereof;  
 FIG. 5 is a left side elevational view thereof;  
 FIG. 6 is a top plan view thereof; and  
 FIG. 7 is a bottom plan view thereof.



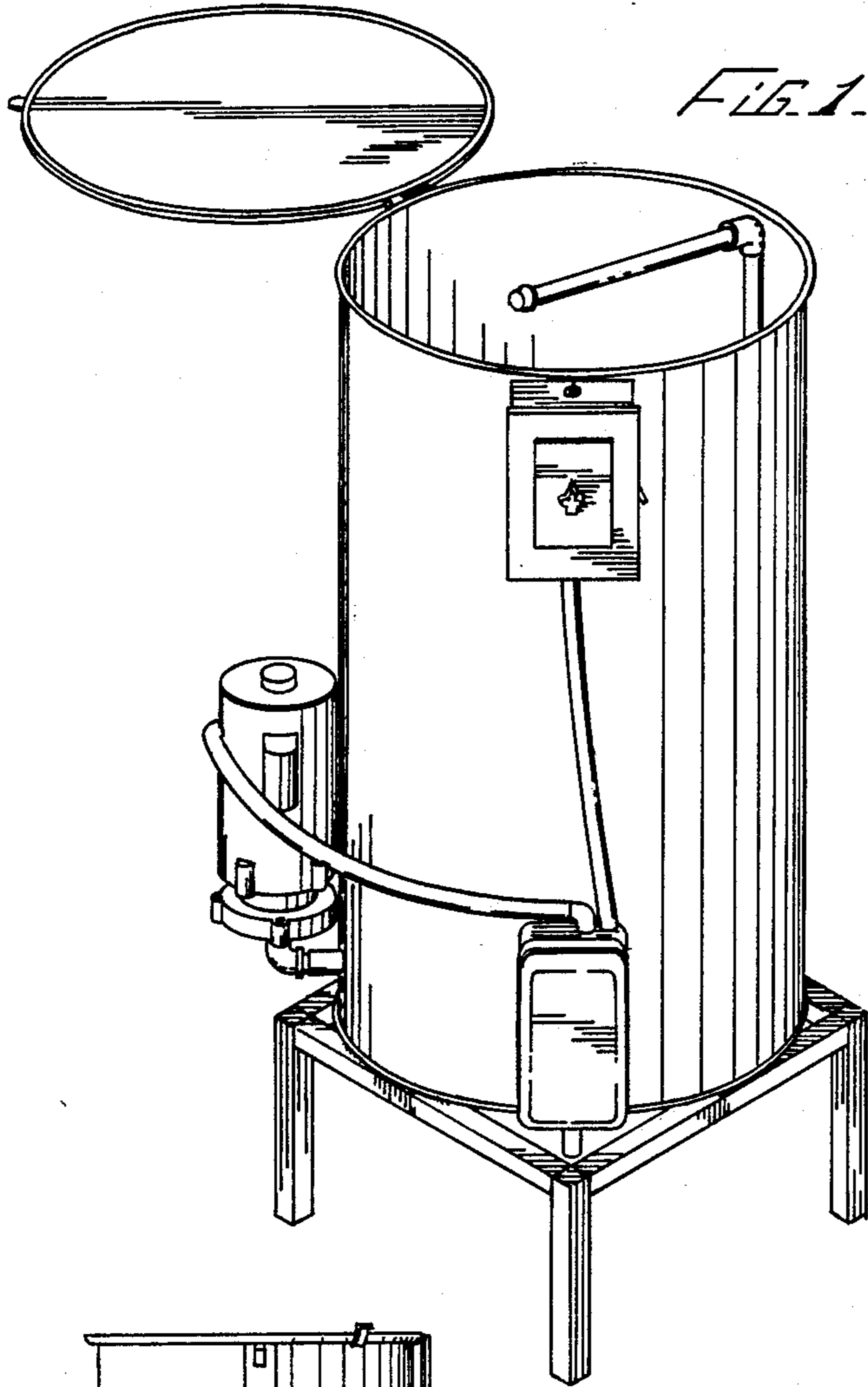


FIG. 1.

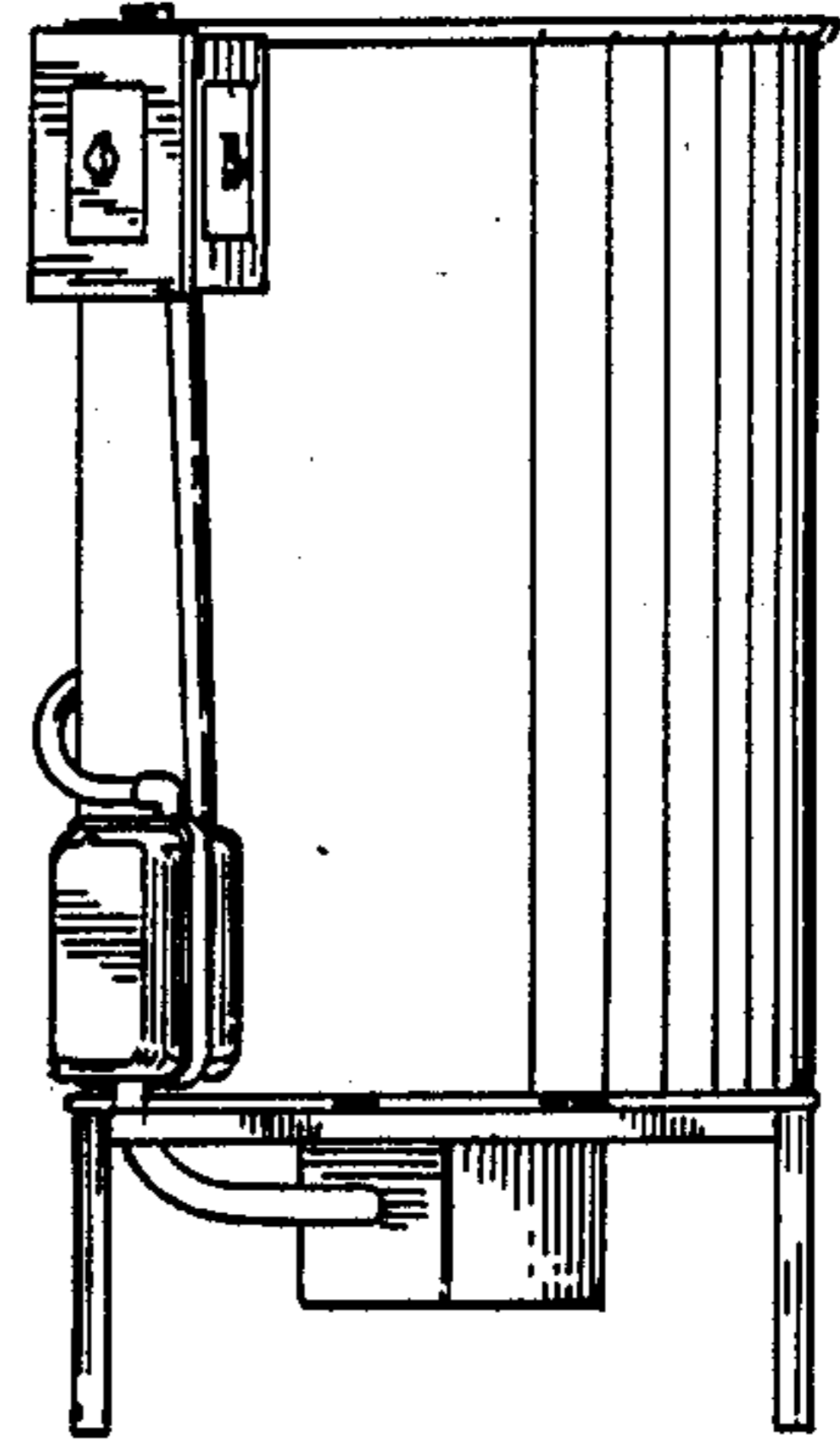


FIG. 2.

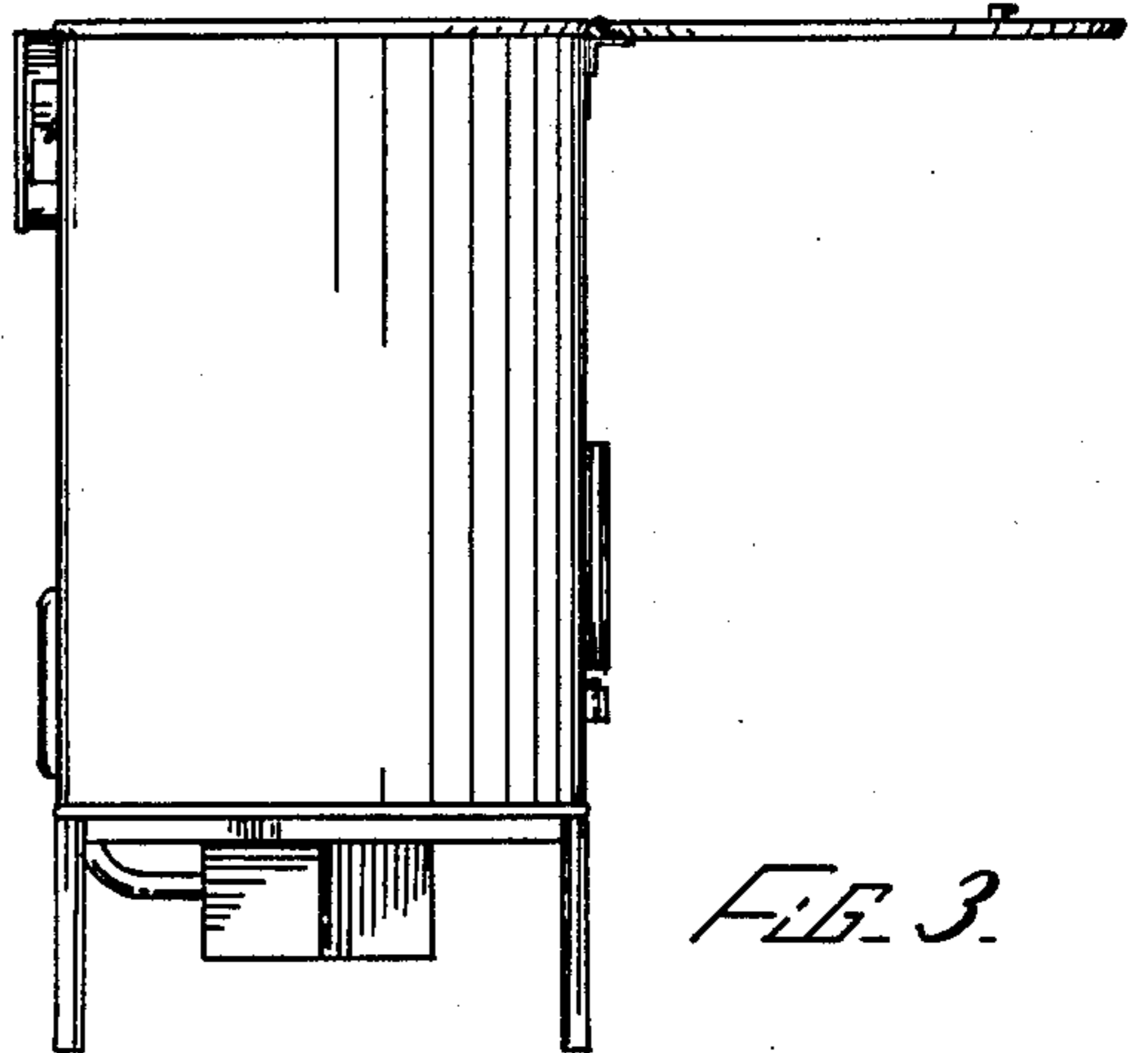


FIG. 3.

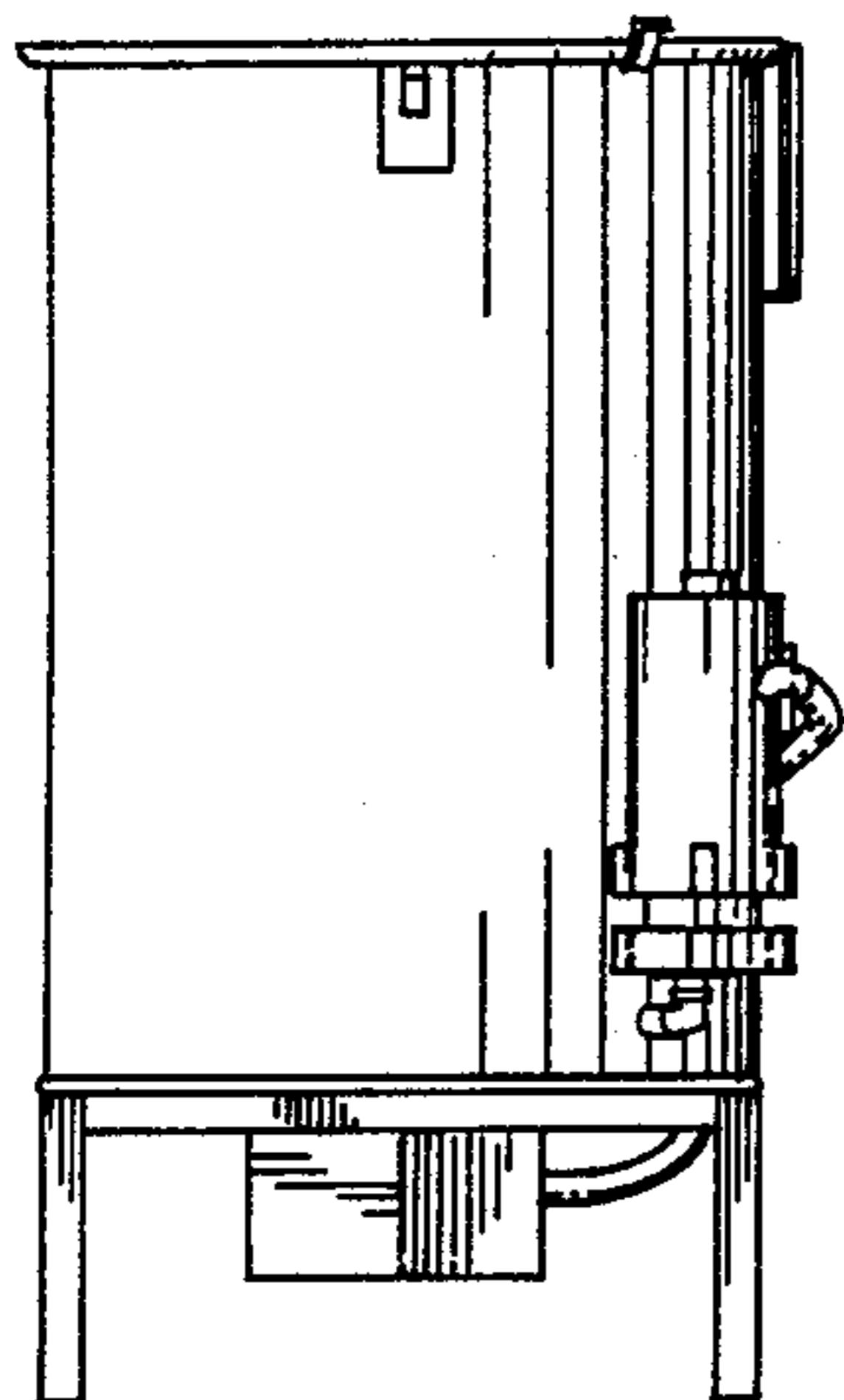


FIG. 4.

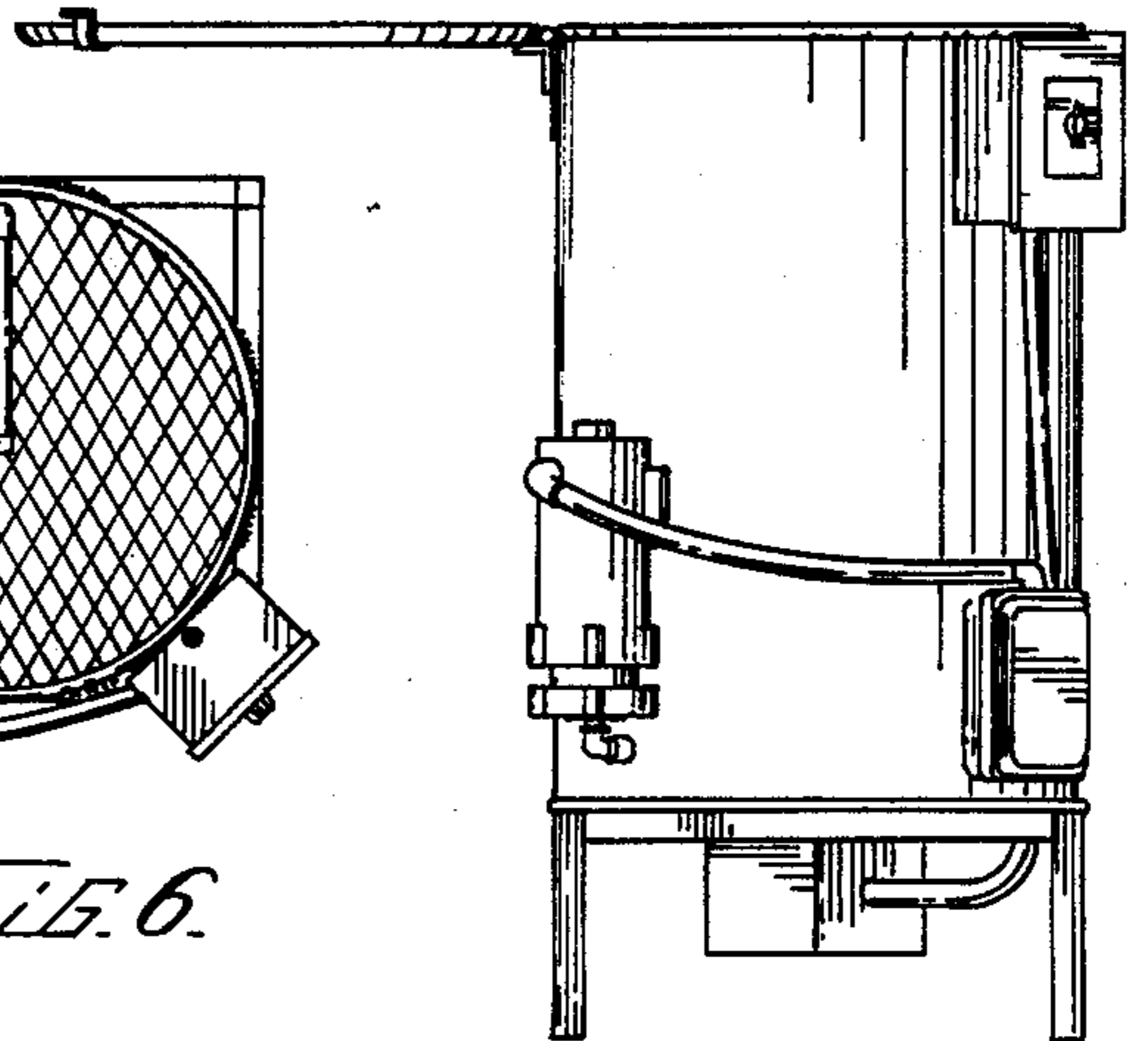


FIG. 5.

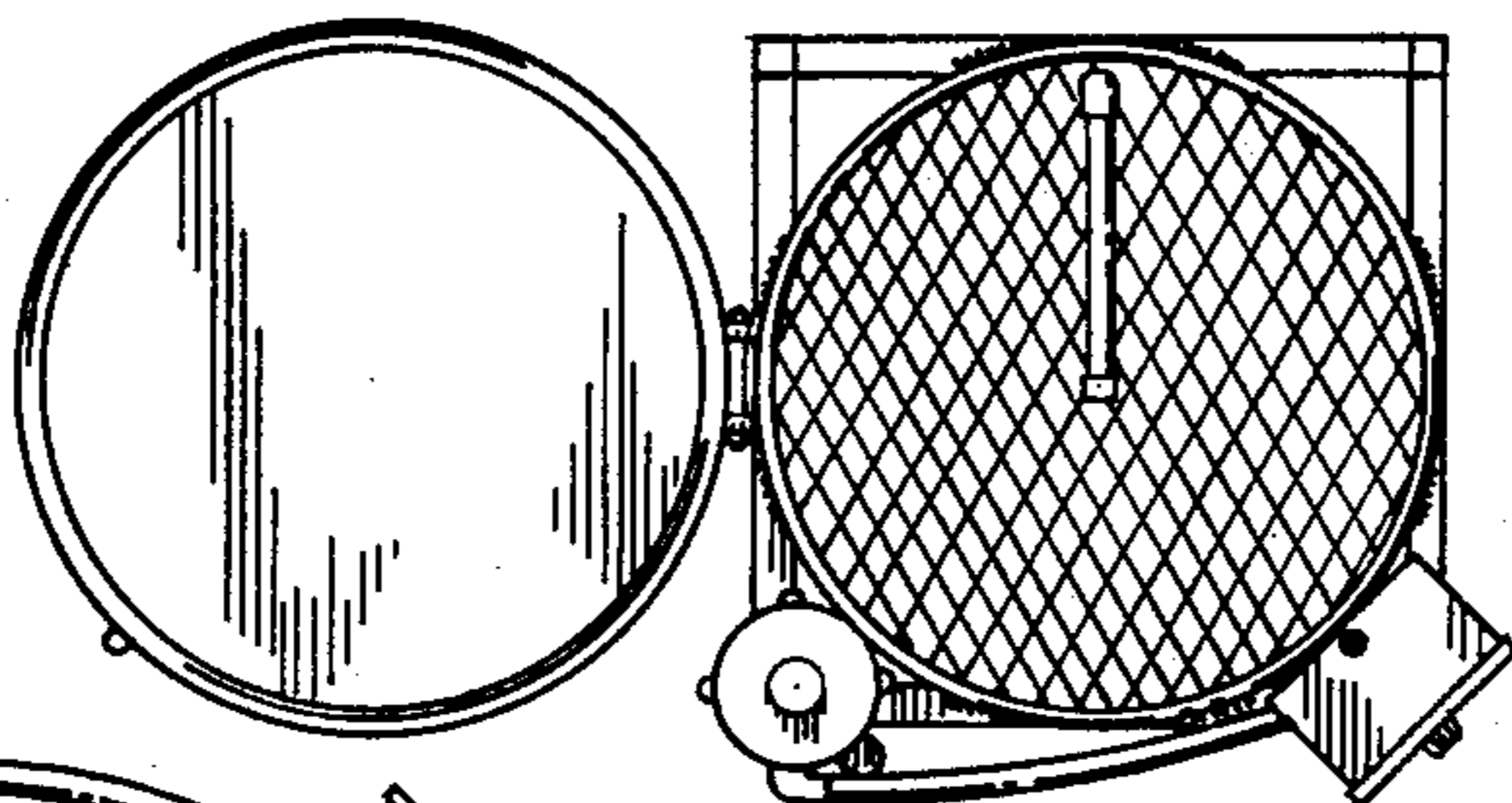


FIG. 6.

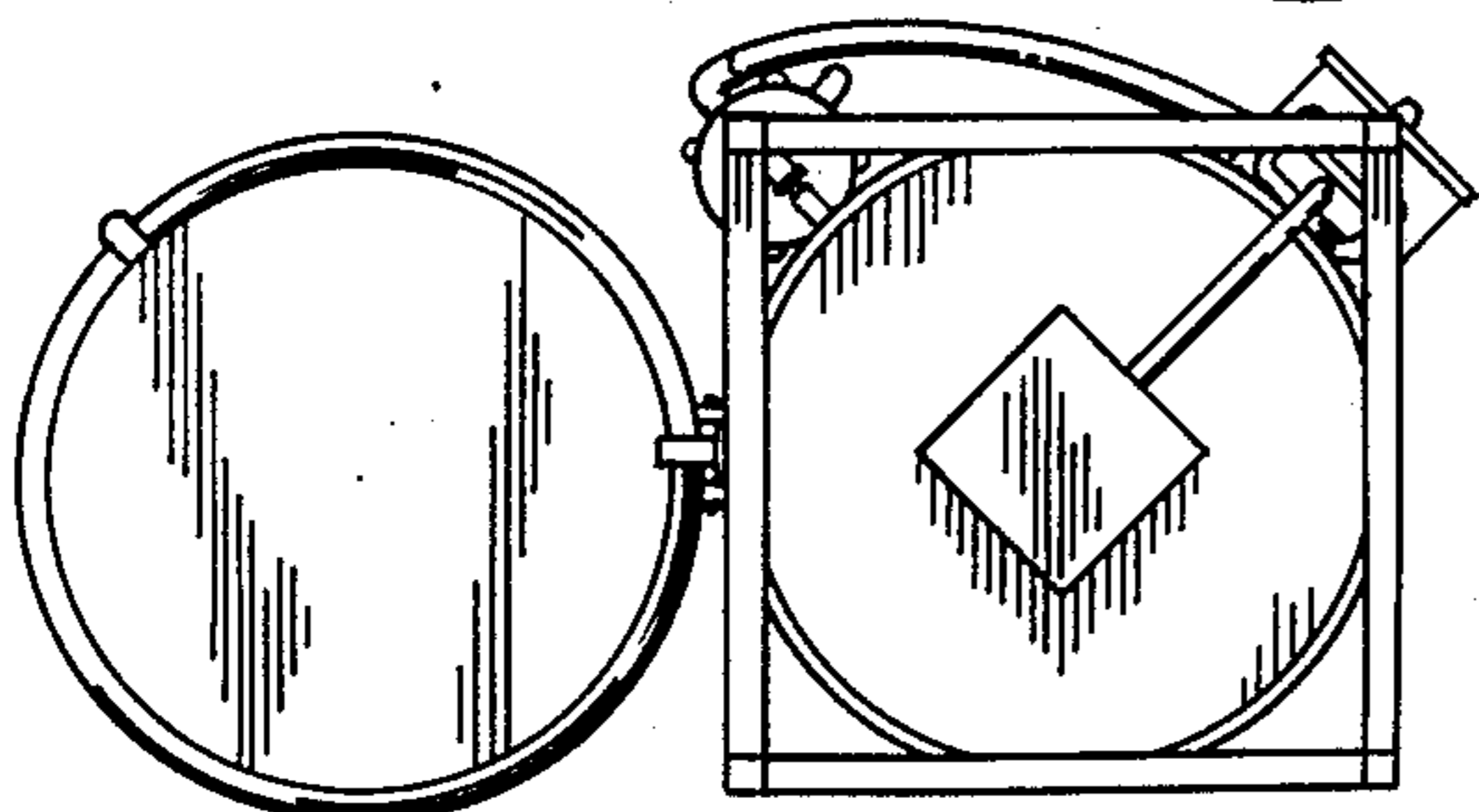


FIG. 7.