

[54] JEWELRY CLEANING BOX

[75] Inventor: May Fung, Hong Kong, Hong Kong

[73] Assignee: Etna Products Co., Inc., New York, N.Y.

[\*\*] Term: 14 Years

[21] Appl. No.: 925,874

[22] Filed: Oct. 30, 1986

[52] U.S. Cl. .... D32/01; D32/35

[58] Field of Search ..... D32/1, 35; D9/414, 420, D9/423, 432; 134/84, 90, 117-118; 366/127-128, 130

[56] References Cited

U.S. PATENT DOCUMENTS

- D. 259,425 6/1981 Doyel ..... D32/1
- D. 261,423 10/1981 Geissler ..... D32/1 X
- D. 281,539 11/1985 Harrison ..... D32/1

Primary Examiner—Wallace R. Burke  
 Assistant Examiner—Lavone D. Tabor  
 Attorney, Agent, or Firm—Ostrolenk, Faber, Gerb & Soffen

[57] CLAIM

The ornamental design for a jewelry cleaning box, as shown and described.

DESCRIPTION

FIG. 1 is a perspective view as seen from the front, top and one side of a jewelry cleaning box showing my new design;  
 FIG. 2 is an elevational view of the side opposite that shown in FIG. 1;  
 FIG. 3 is a rear elevational view thereof;  
 FIG. 4 is a bottom plan view thereof;  
 FIG. 5 is a top plan view thereof;  
 FIG. 6 is a perspective view thereof, shown with the cover and basket inverted in condition of use;  
 FIG. 7 is an exploded perspective view thereof, shown with the base in open unlatched condition and the cover and basket removed from the base;  
 FIG. 8 is a top plan view of the base of FIG. 7;  
 FIG. 9 is a top plan view of the cover thereof;  
 FIG. 10 is a top plan view of the basket thereof;  
 FIG. 11 is a side elevational view thereof;  
 FIG. 12 is a rear elevational view thereof; and  
 FIG. 13 is a front elevational view thereof.  
 The base, cover, and basket are shown separately in FIGS. 8-13 for clarity of illustration.

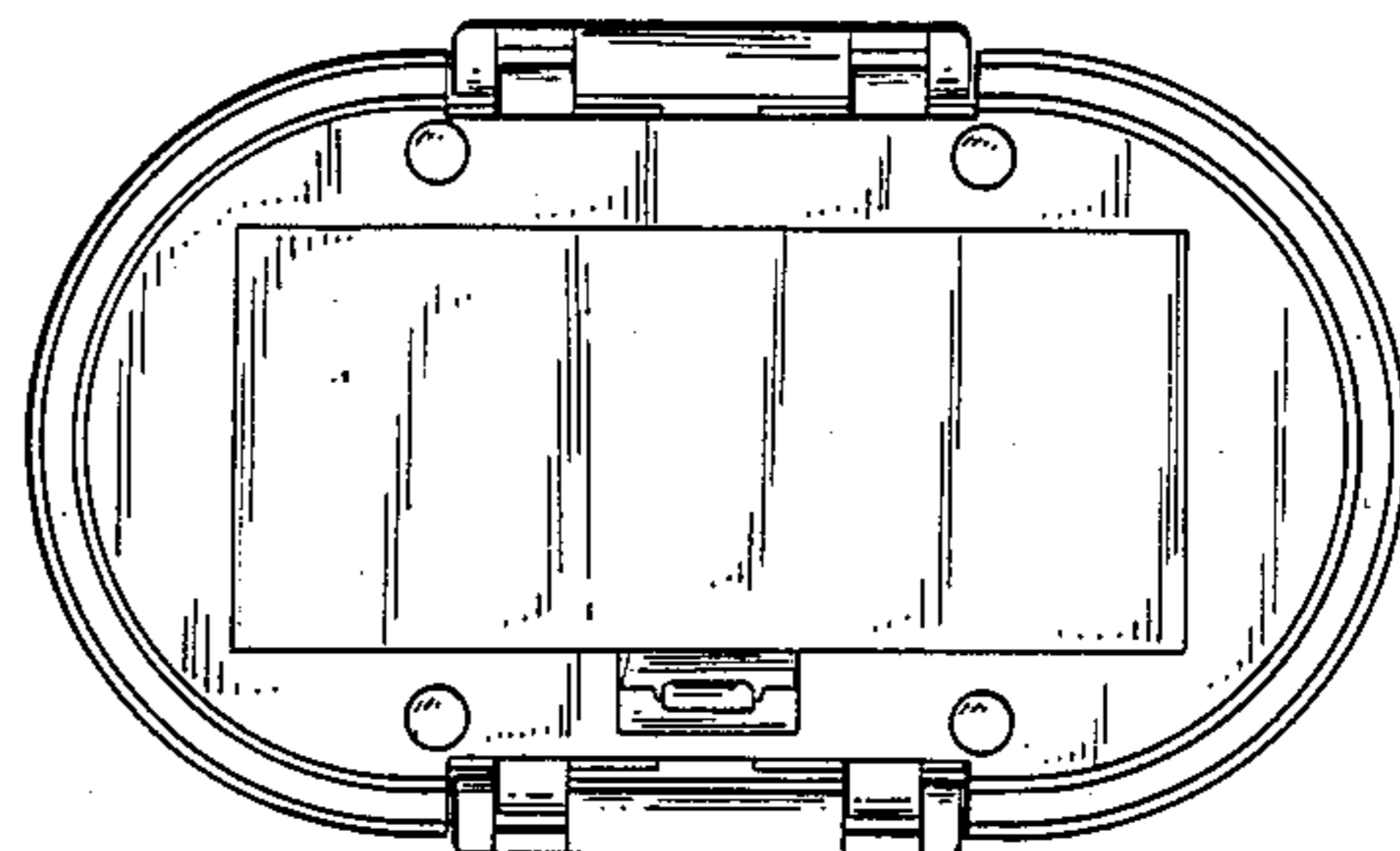
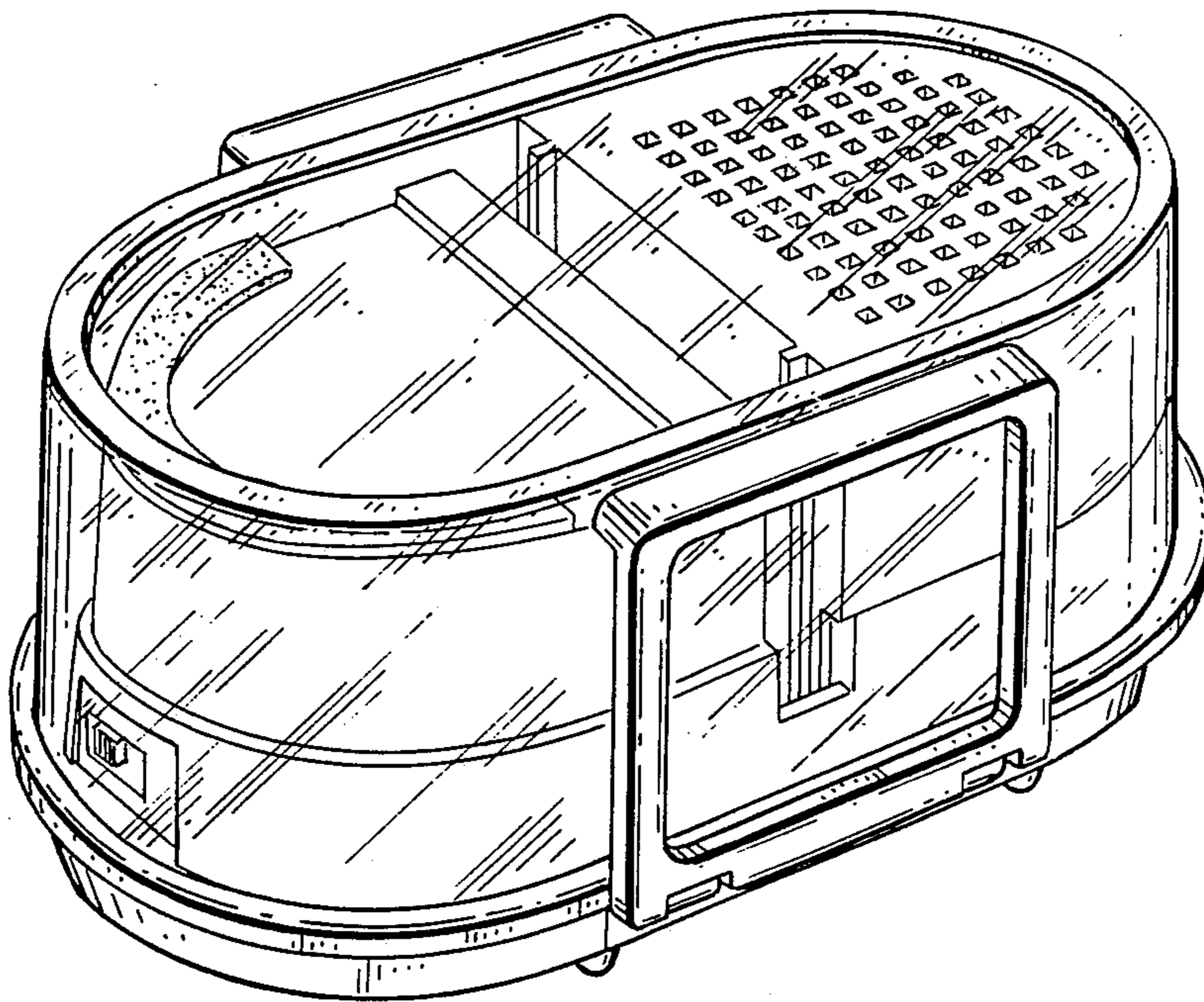


FIG. 1.

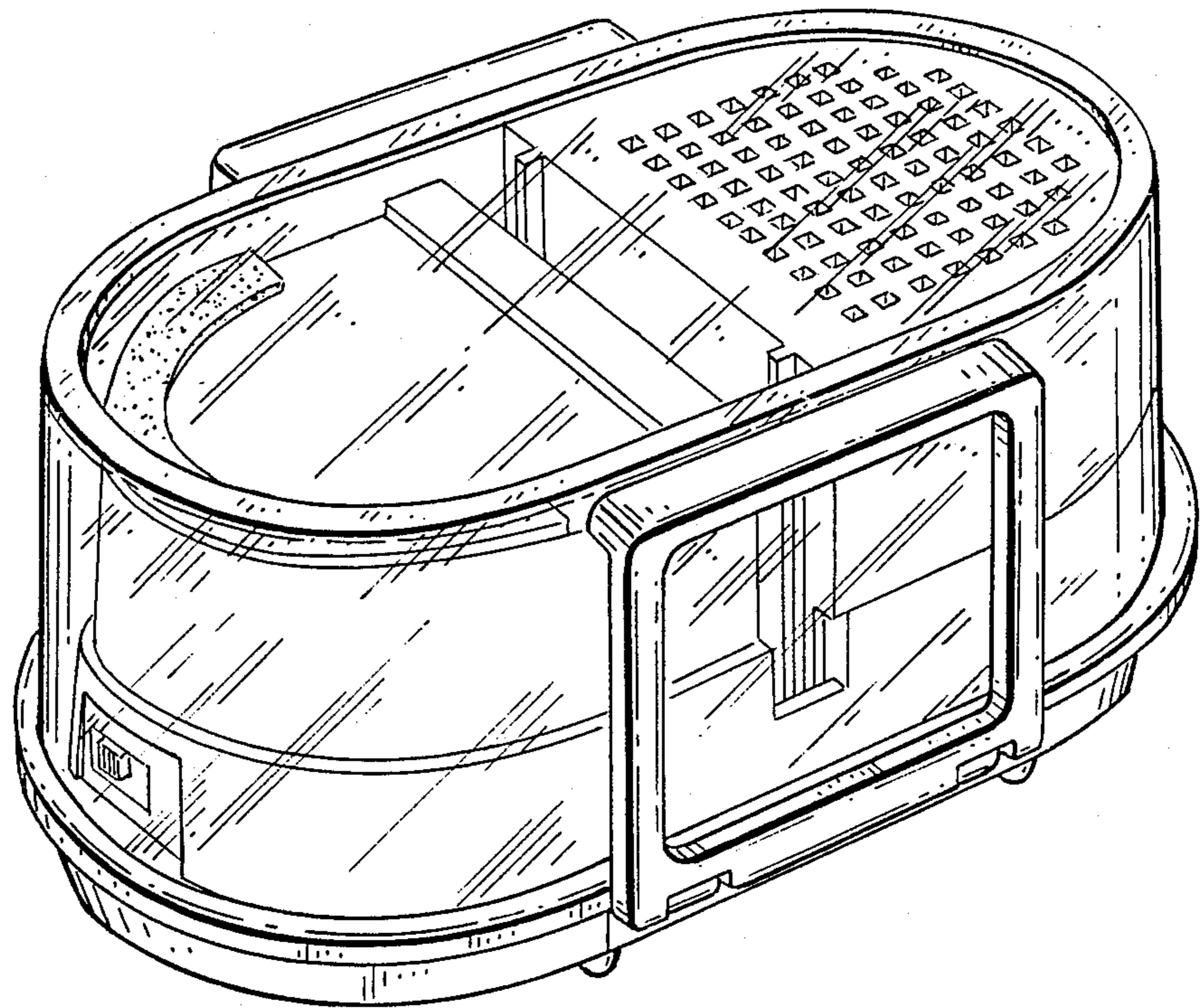


FIG. 3.

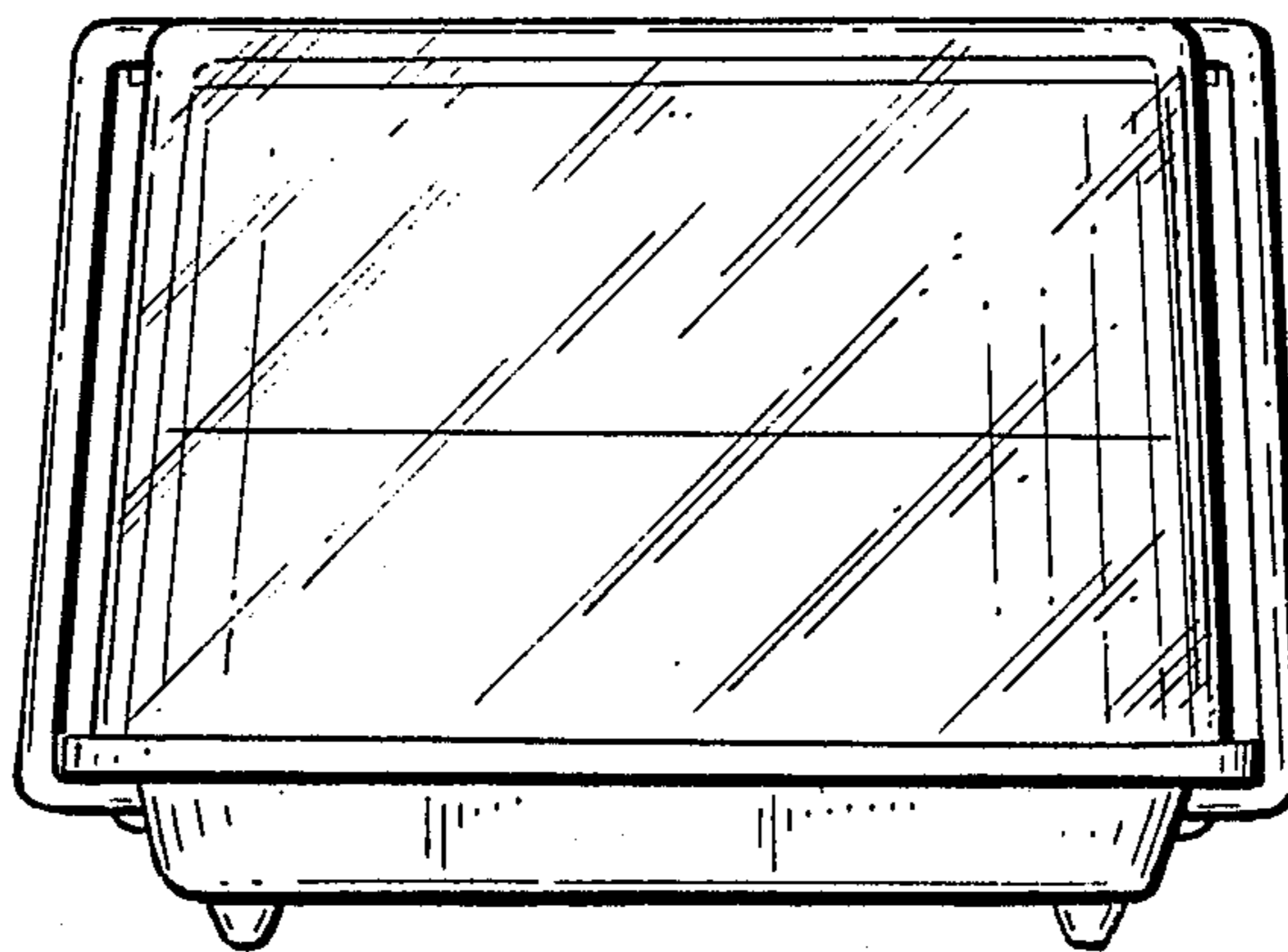


FIG. 2.

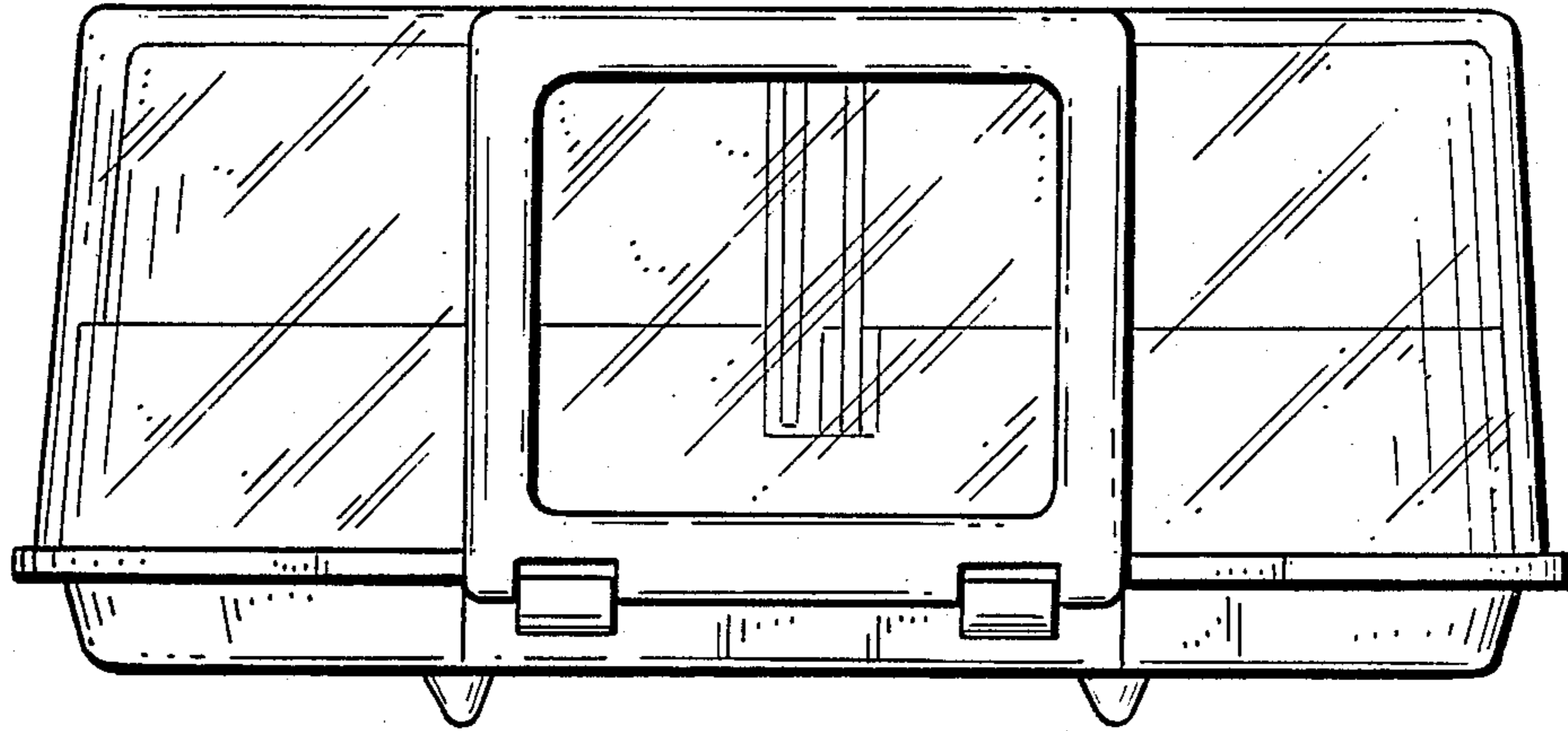


FIG. 4.

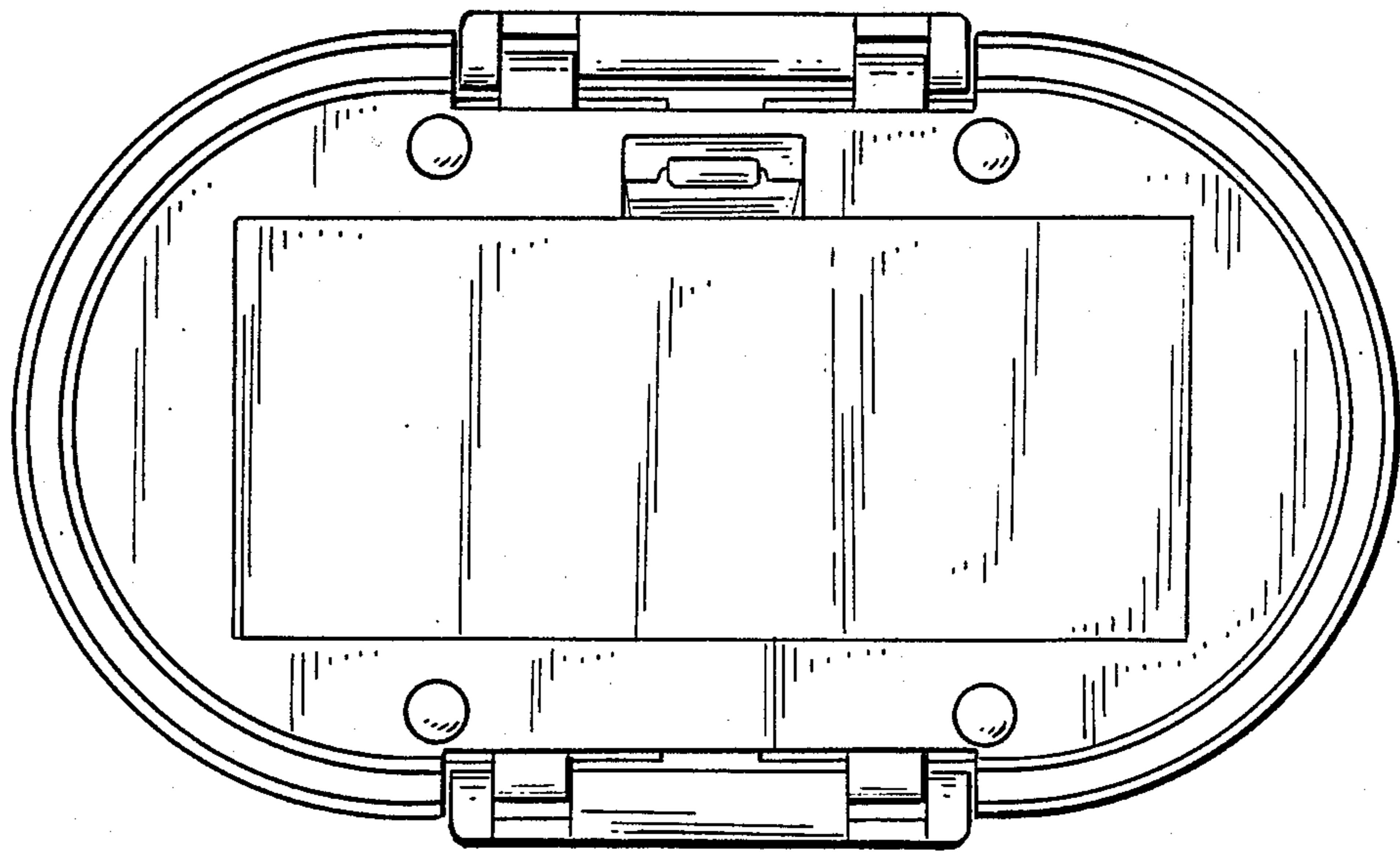


FIG. 6.

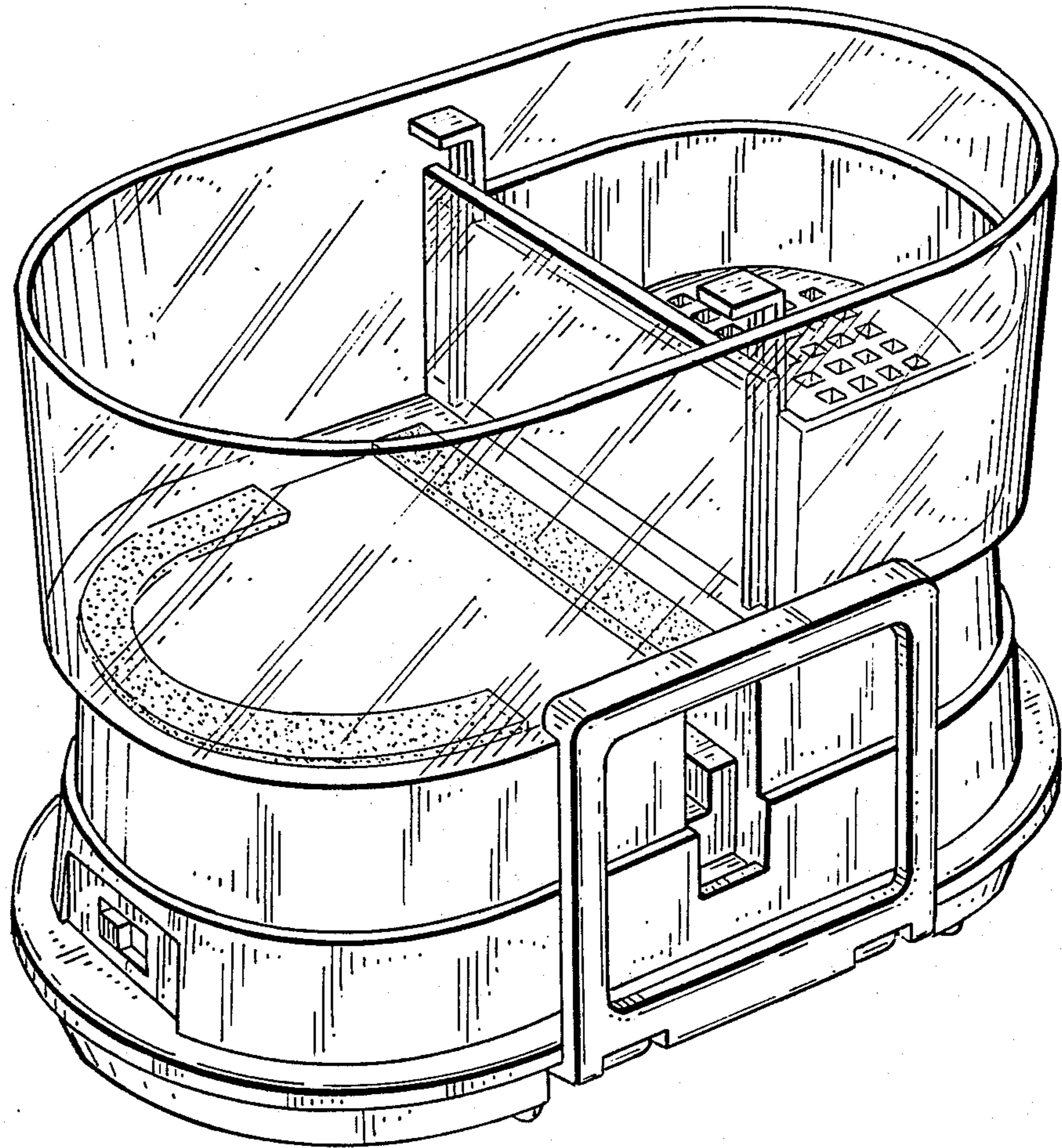


FIG. 7.

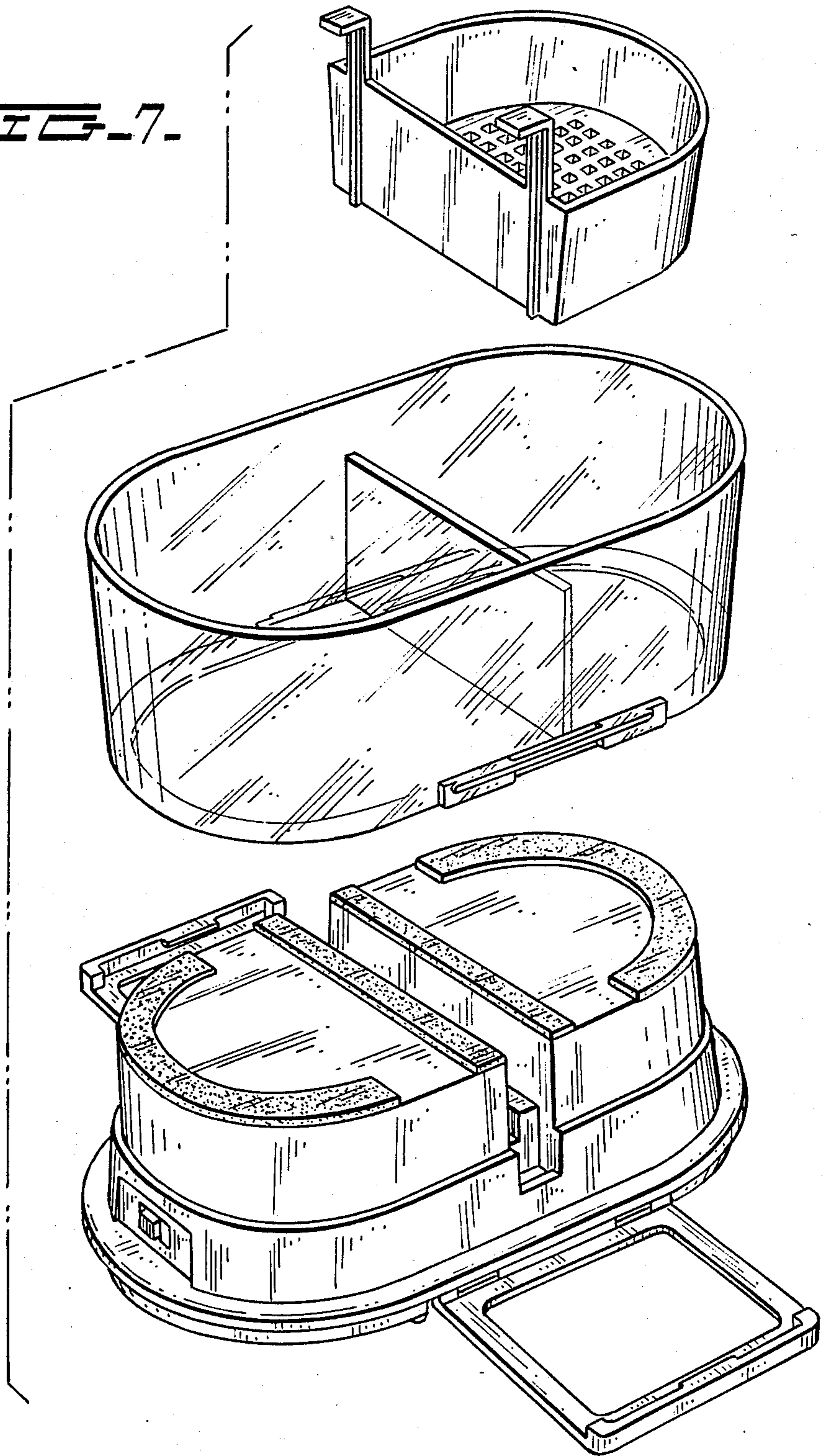


FIG. 5

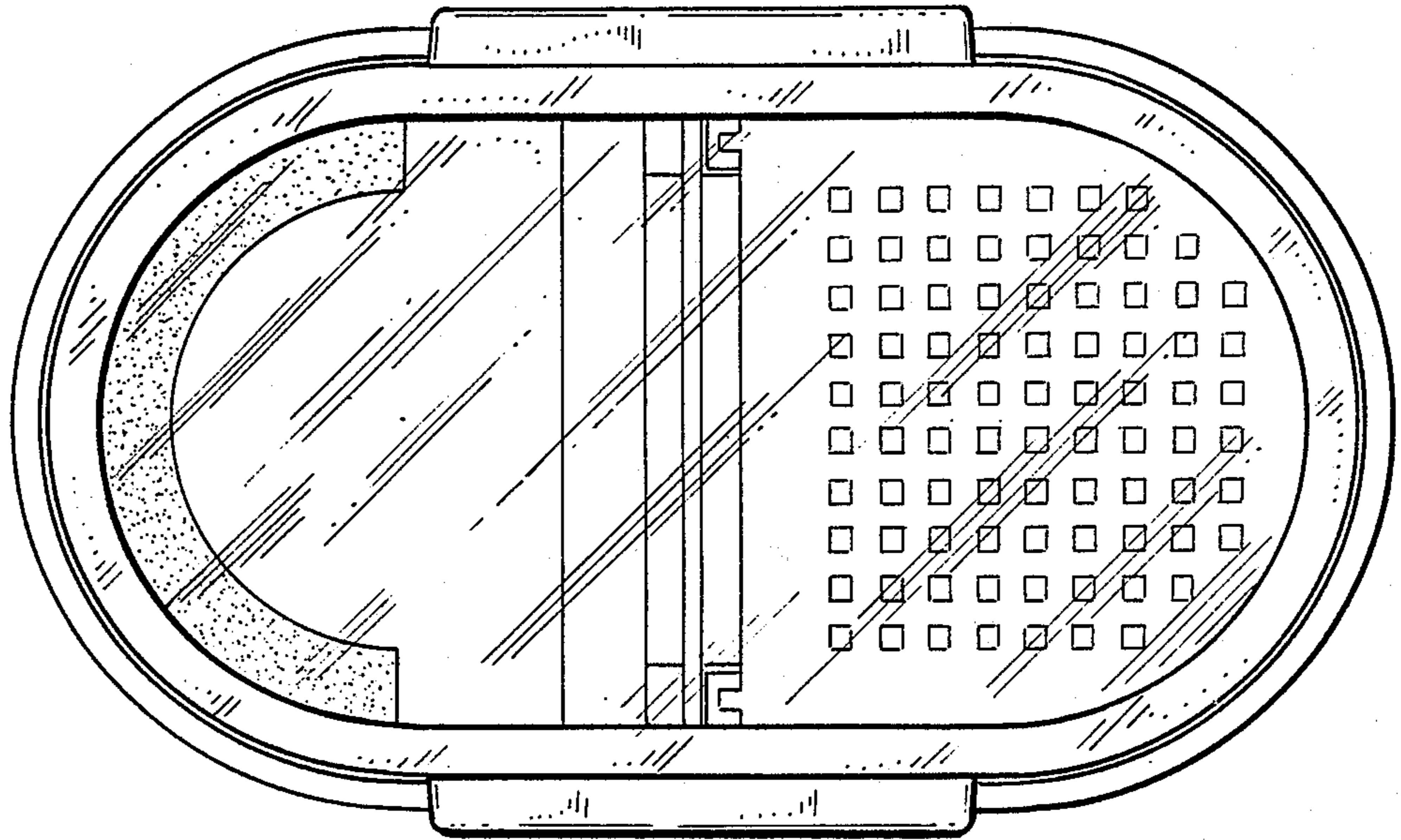
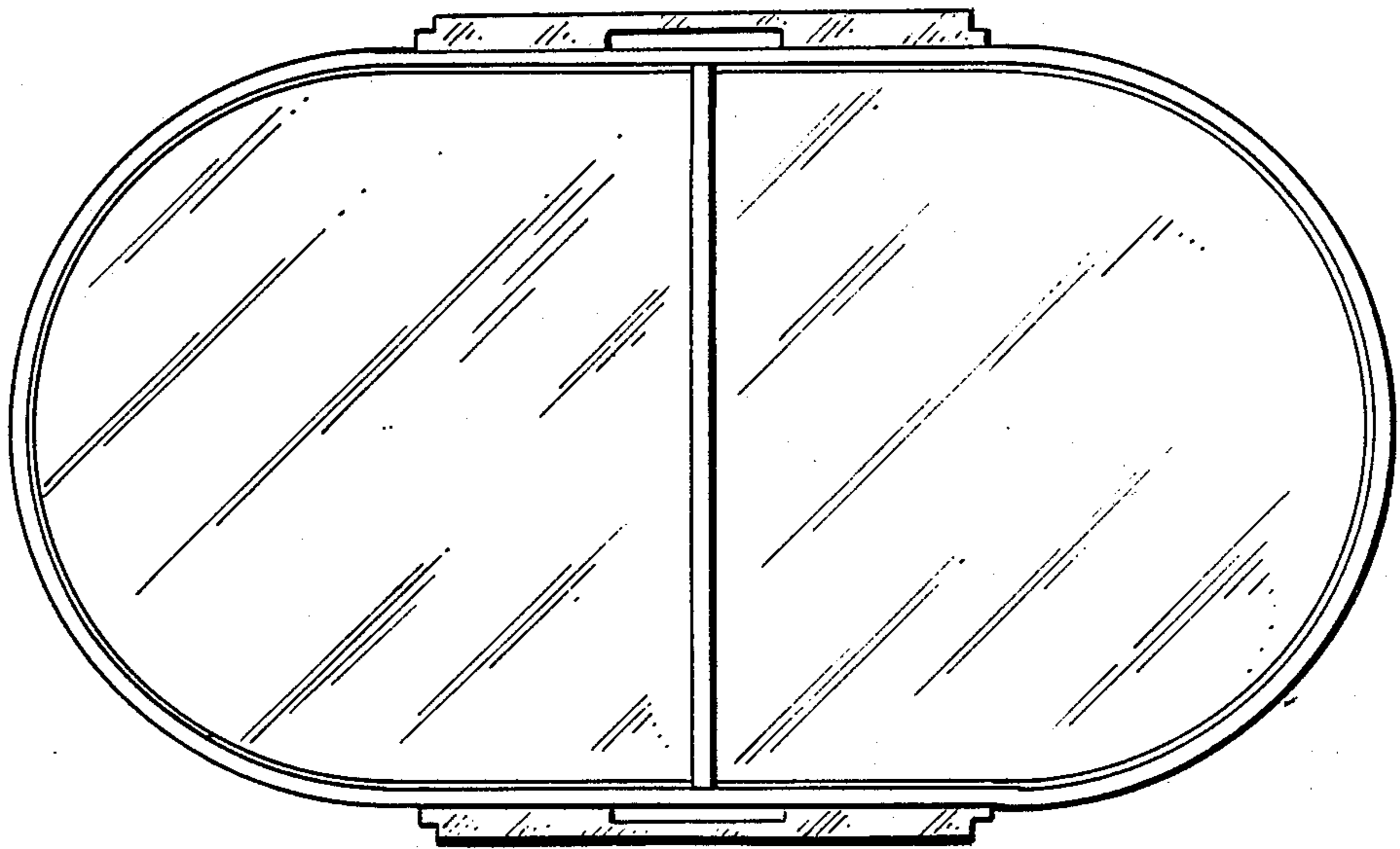
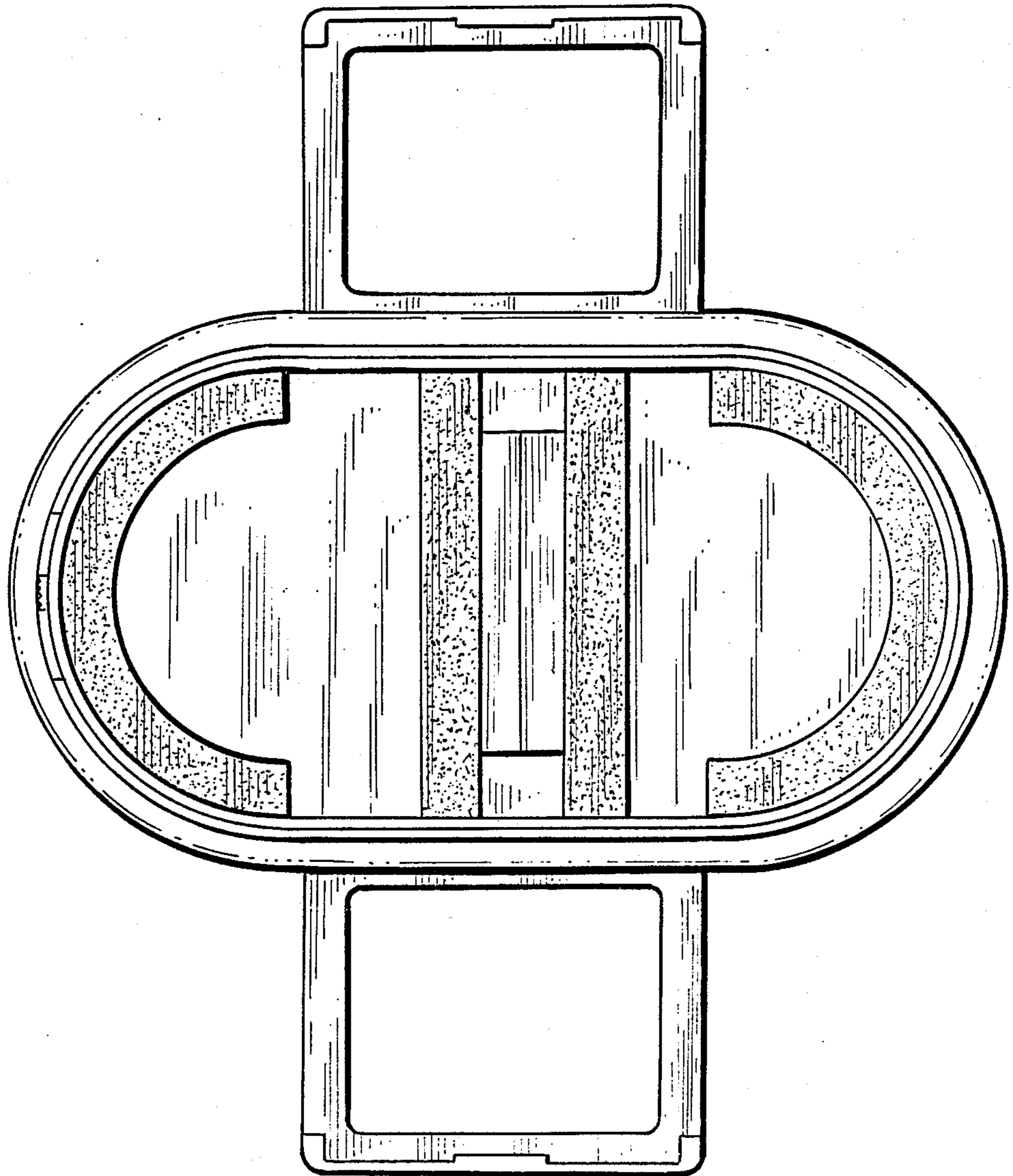


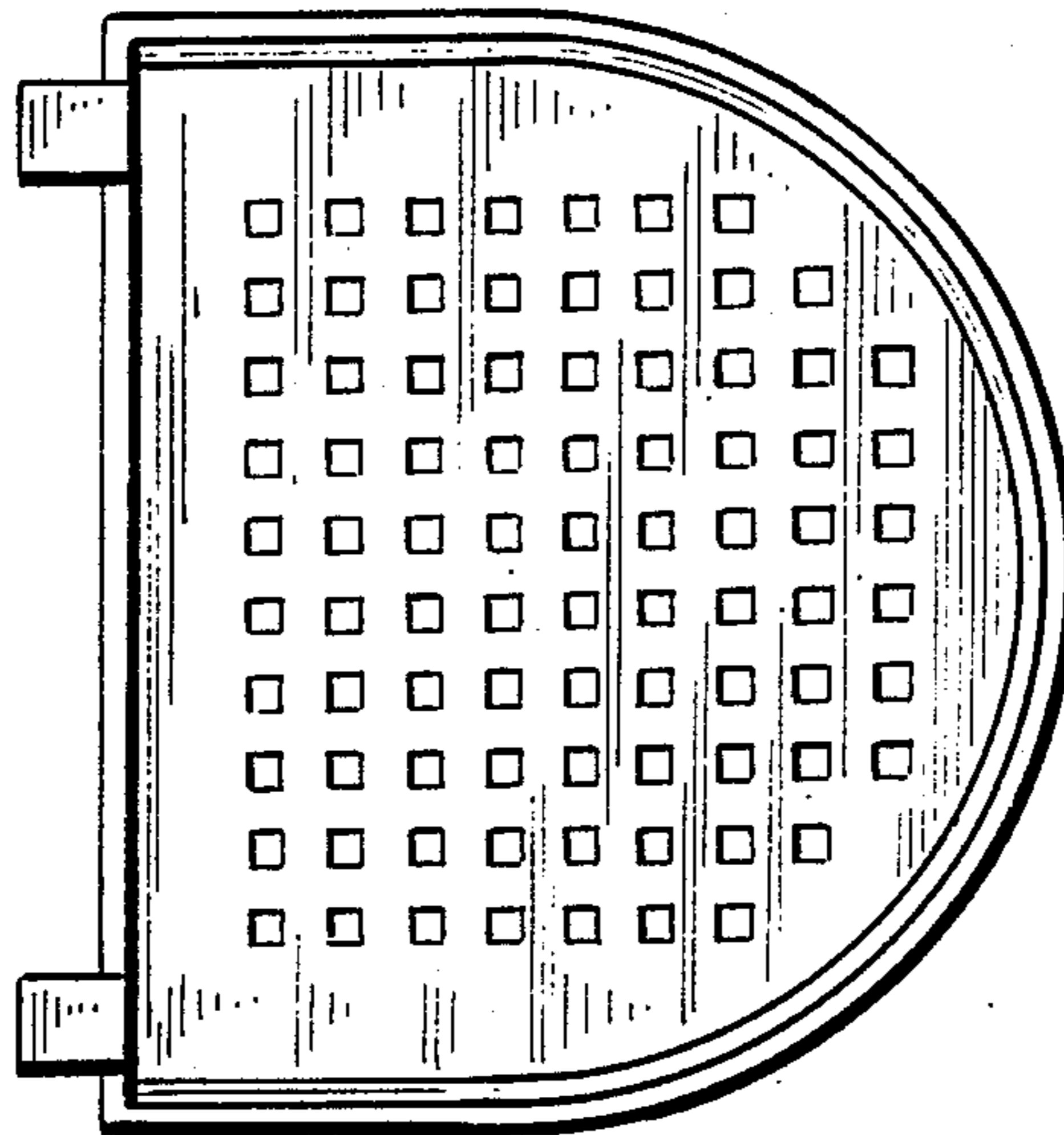
FIG. 9



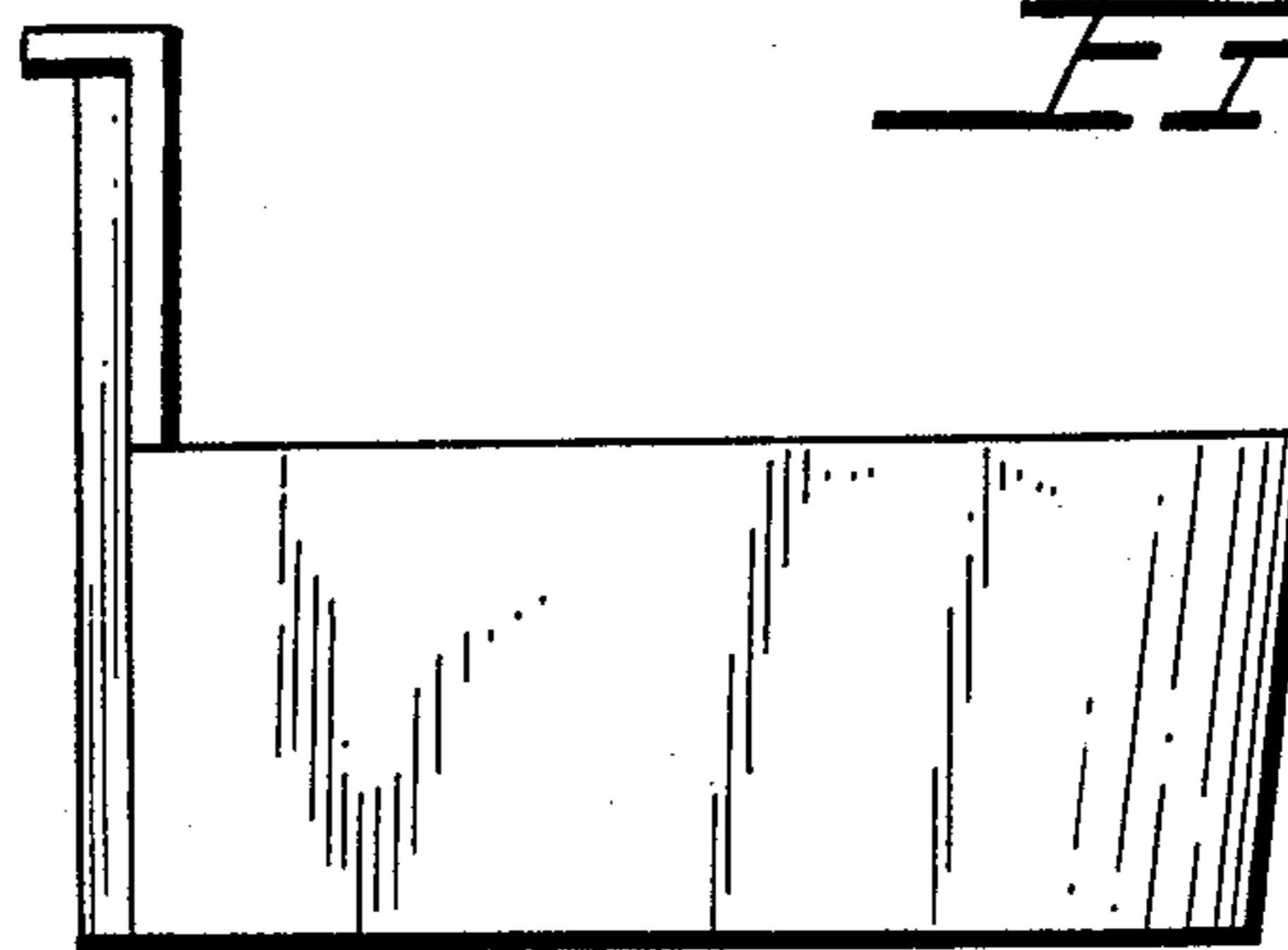
*FIG. 6.*



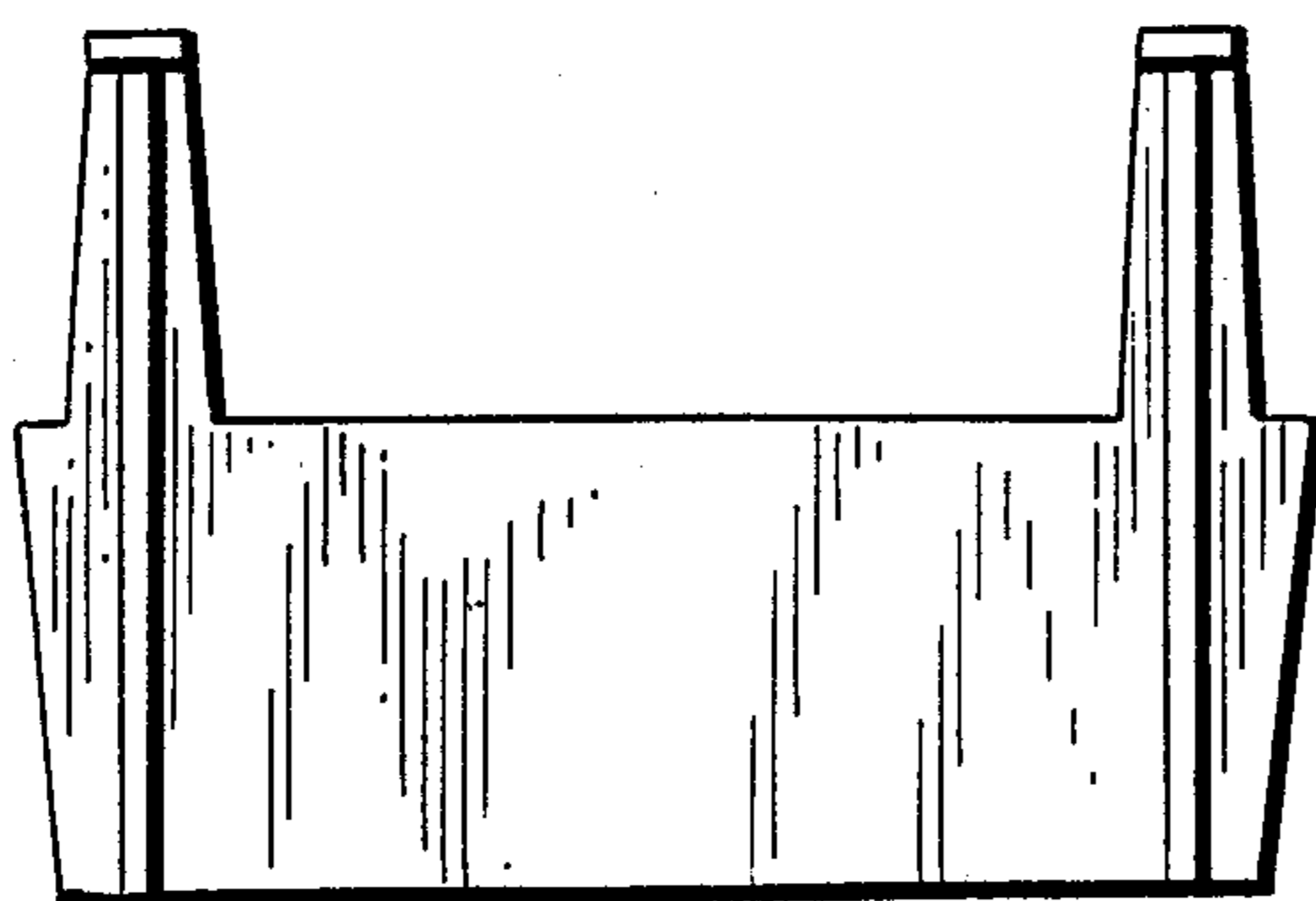
*FIG. 10.*



*FIG. 11.*



*FIG. 12.*



*FIG. 13.*

