

[54] VISOR

[76] Inventor: Leif Palmaer, Kristinavägen 14,  
S-331 00 Värnamo, Sweden

[\*\*] Term: 14 Years

[21] Appl. No.: 946,247

[22] Filed: Dec. 24, 1986

[30] Foreign Application Priority Data

Jul. 16, 1986 [SE] Sweden ..... 86-1699

[52] U.S. Cl. .... D29/16

[58] Field of Search ..... D16/104, 110, 112, 123;  
D2/509, 244, 246-248; D29/14-18; 2/9, 10,  
12-13, 15, 195, 197-198, 209.1, 171, 171.1,  
171.4, 171.7, 178, 435, 452; 351/47-48

[56] References Cited

U.S. PATENT DOCUMENTS

D. 280,994 10/1985 Abate ..... D16/112

D. 294,833 3/1988 Holden ..... D16/112  
2,359,435 10/1944 Miller, Jr. .... 2/12  
2,560,669 7/1951 Vaca ..... D29/16  
2,574,749 11/1951 Mendelsohn ..... 351/48  
2,758,308 8/1956 Ellis ..... 2/452

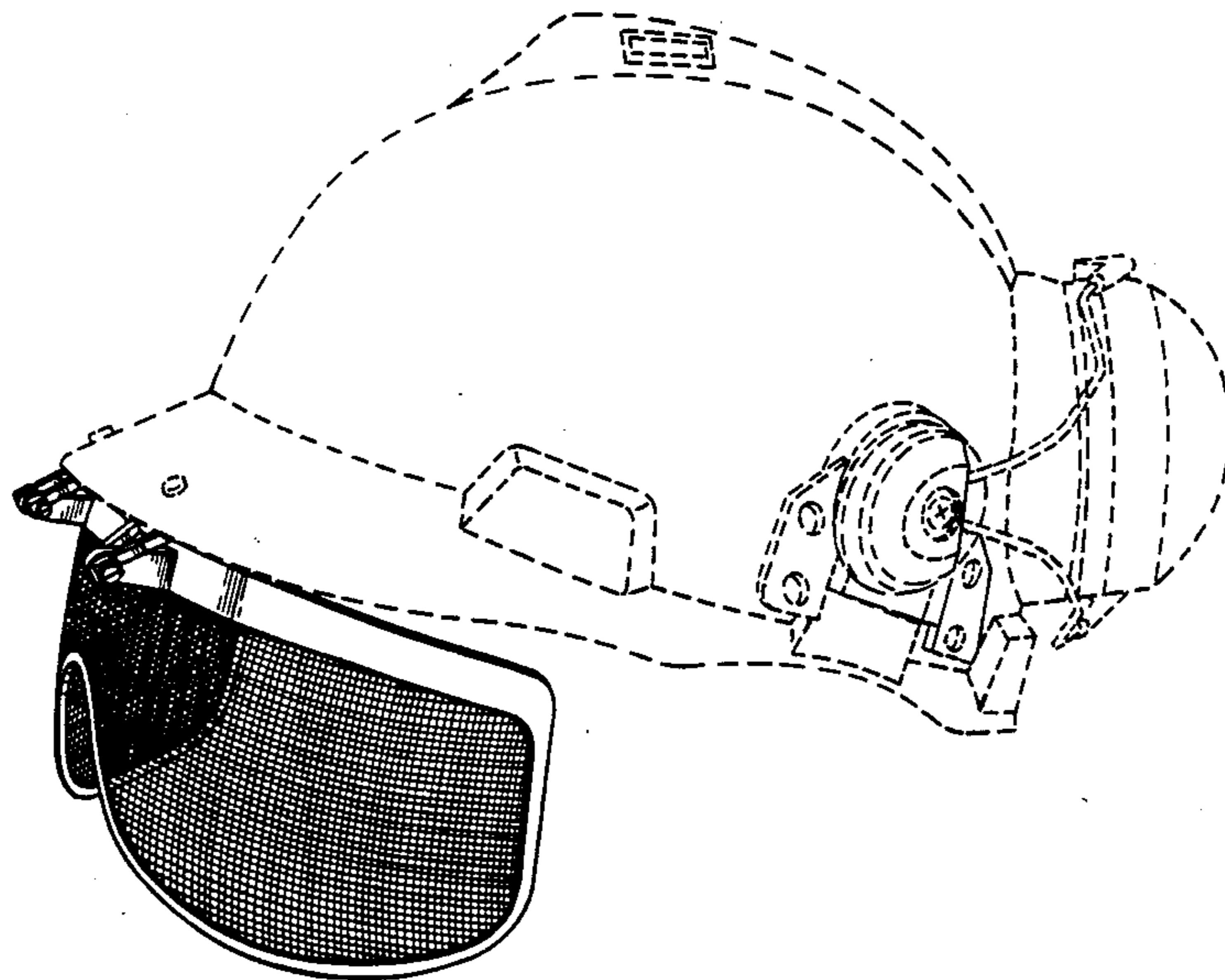
Primary Examiner—Nelson C. Holtje  
Assistant Examiner—Ruth Takemoto  
Attorney, Agent, or Firm—Armstrong, Nikaido,  
Marmelstein, Kubovcik & Murray

[57] CLAIM

The ornamental design for a visor, as shown and de-  
scribed.

DESCRIPTION

FIG. 1 is a perspective view of a visor showing my new  
design;  
FIG. 2 is a front elevational view thereof; and  
FIG. 3 is a rear elevational view thereof.  
The helmet shown in broken lines in FIG. 1 is for illus-  
trative purposes only and forms no part of the claimed  
design.



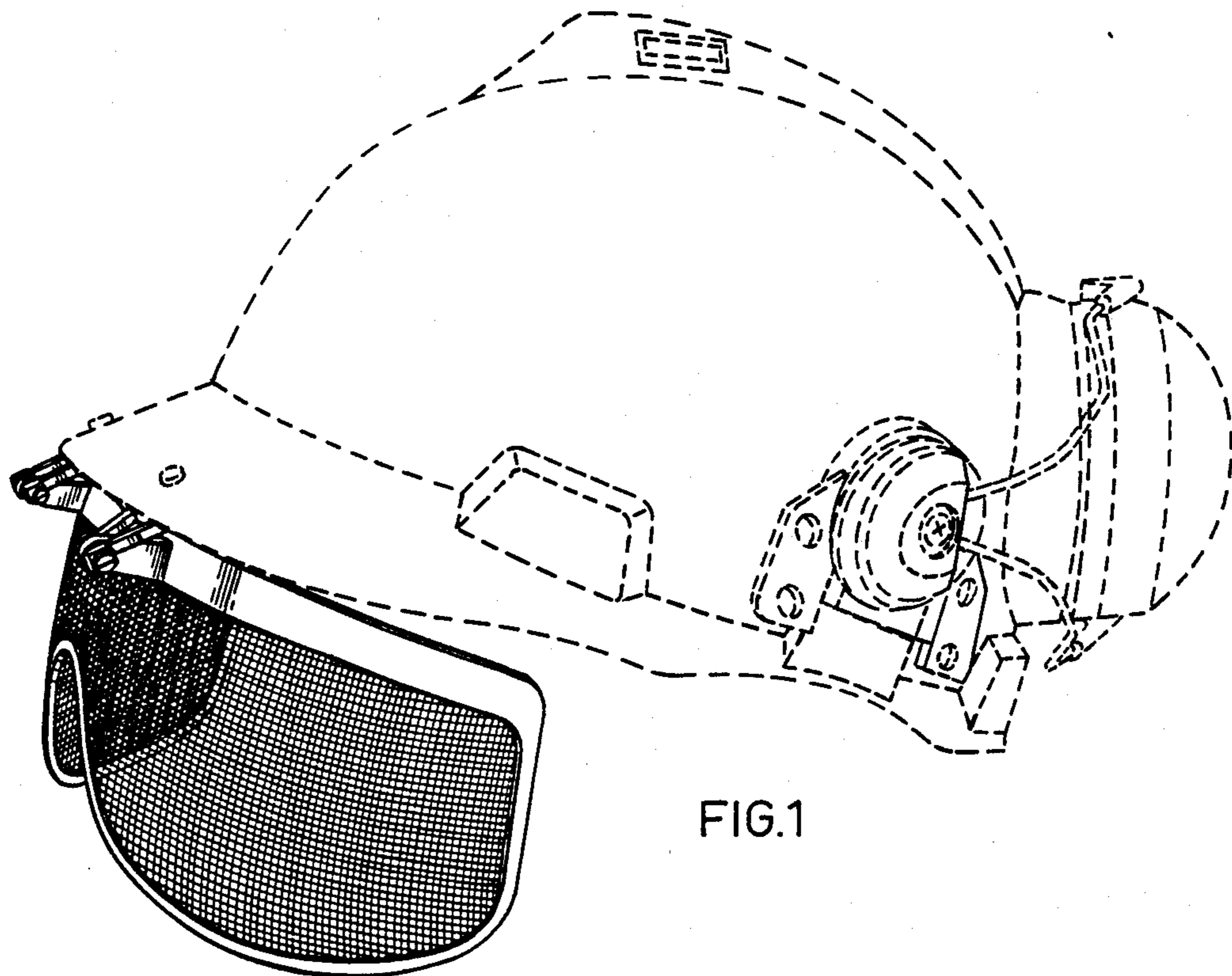


FIG.1

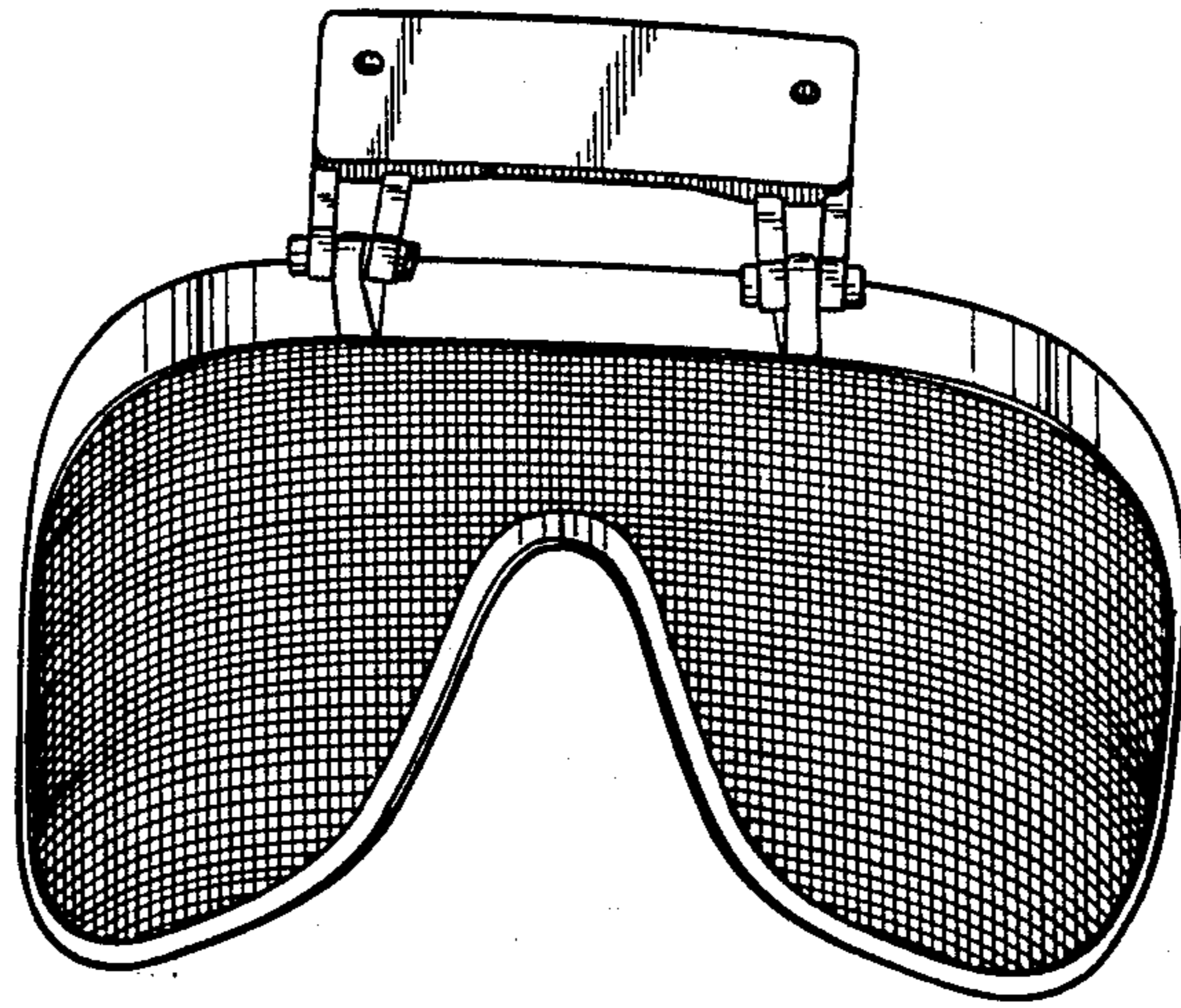


FIG. 2

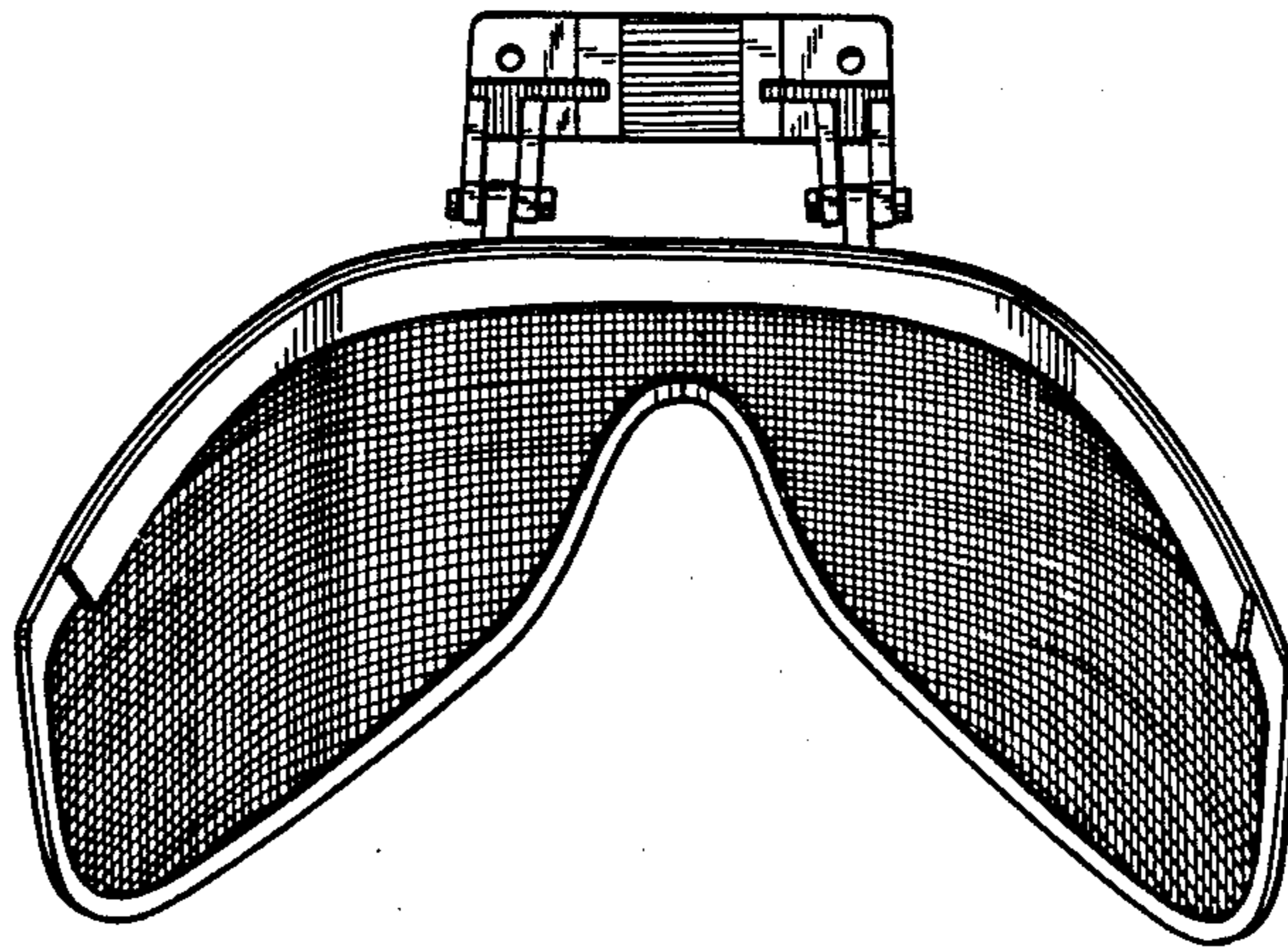


FIG. 3