

[54] **FLUORESCENT LIGHTING FIXTURE**

[75] **Inventor: James E. Roulstone, Spring, Tex.**

[73] **Assignee: Innovative Controls, Inc., Houston, Tex.**

[**] **Term: 14 Years**

[21] **Appl. No.: 65,718**

[22] **Filed: Jun. 24, 1987**

[52] **U.S. Cl. D26/78**

[58] **Field of Search D26/75-79;
362/216, 217, 218, 221, 222, 223, 362, 341, 343,
345, 346, 347, 349**

[56] **References Cited**

U.S. PATENT DOCUMENTS

- D. 131,199 1/1942 Mitchell D26/76
- D. 133,216 7/1942 Parlato D26/78
- D. 257,894 1/1981 DiBernardo D26/75

- D. 284,110 6/1986 Mullins D26/76
- 2,795,692 6/1957 Lemmers 362/221
- 4,799,134 1/1989 Pinch et al. 362/221 X

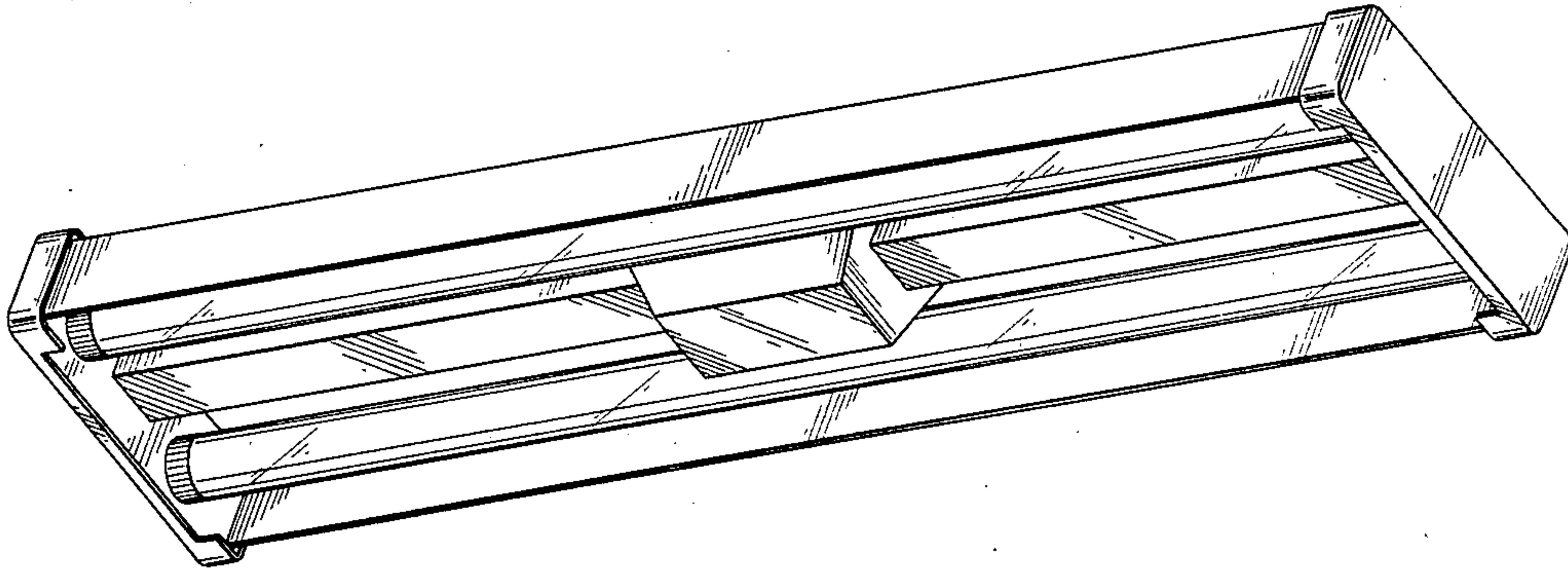
Primary Examiner—Susan J. Lucas
Attorney, Agent, or Firm—Vaden, Eickenroht,
Thompson & Boulware

[57] **CLAIM**

The ornamental design for a fluorescent lighting fixture, as shown and described.

DESCRIPTION

FIG. 1 is a bottom, end and side perspective view of a fluorescent lighting fixture showing my new design; FIG. 2 is a bottom plan view thereof; FIG. 3 is a top plan view thereof; FIG. 4 is an elevational view thereof taken from the side opposite that shown in FIG. 1; and FIG. 5 is an elevational view thereof taken from the end opposite that shown in FIG. 1.



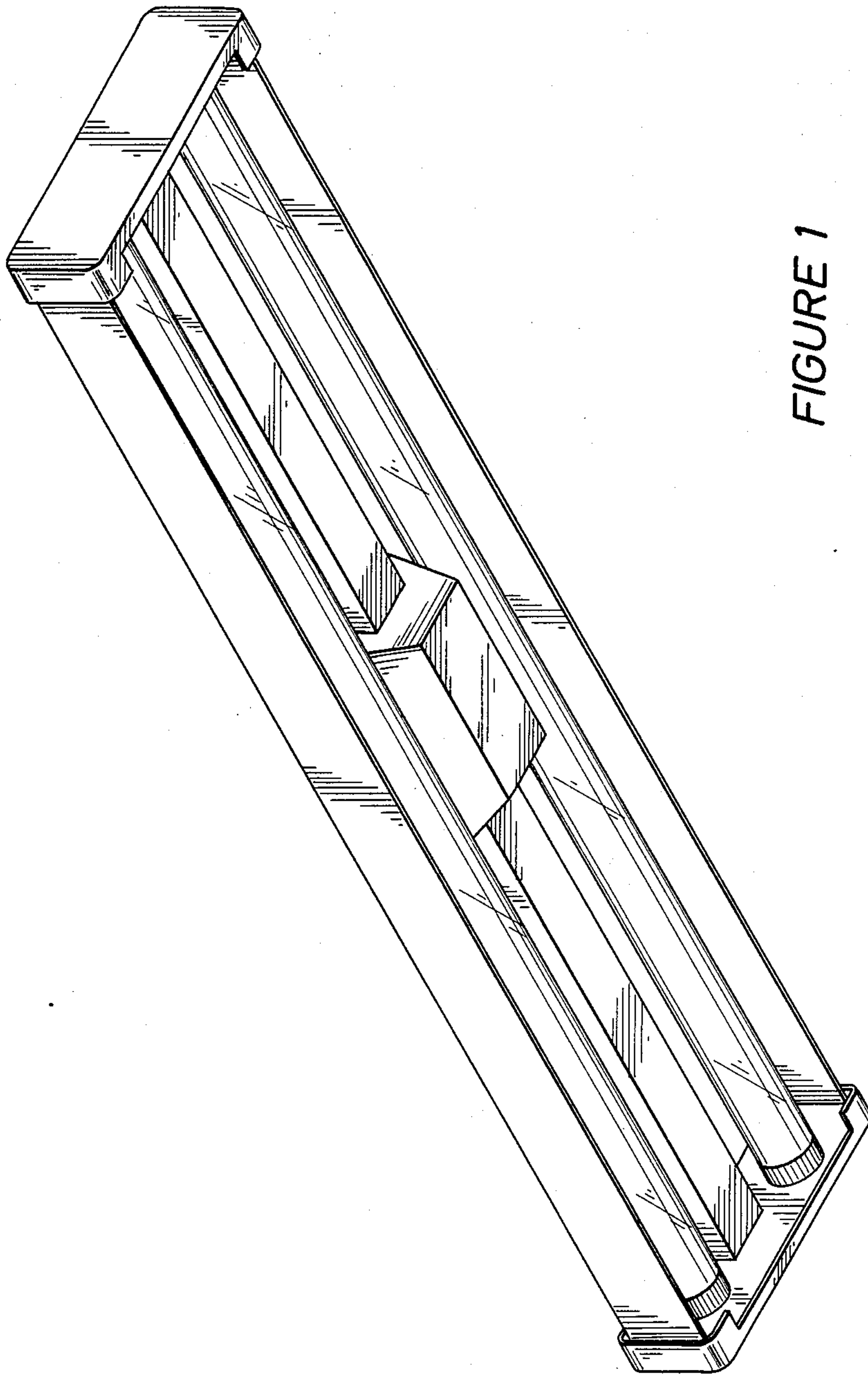


FIGURE 1

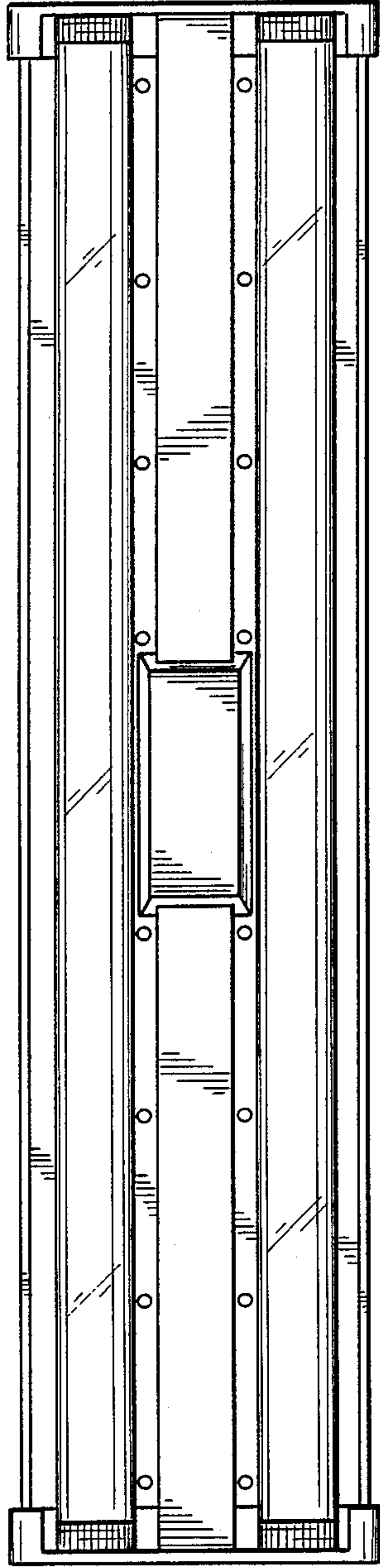


FIGURE 2

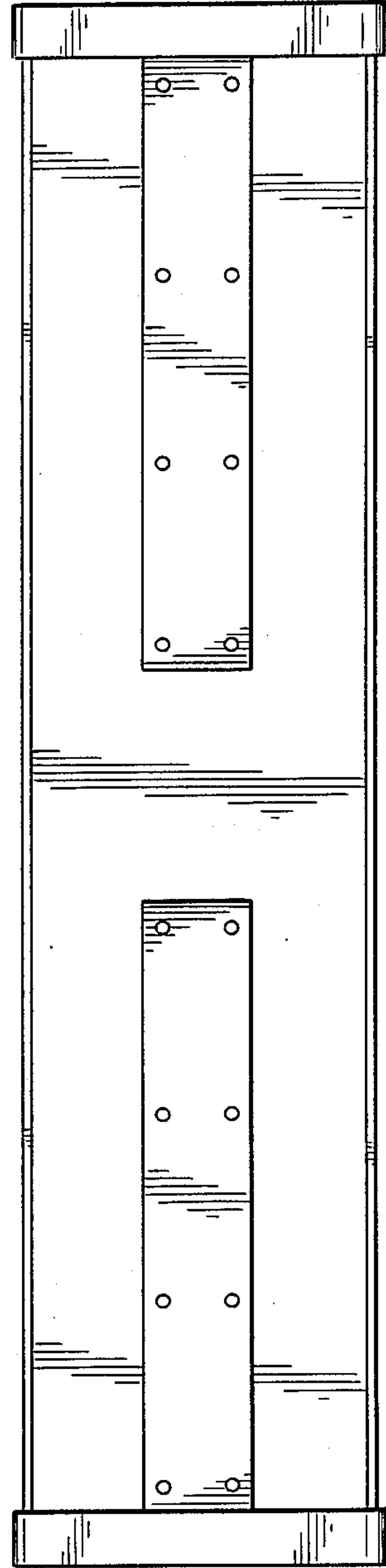


FIGURE 3

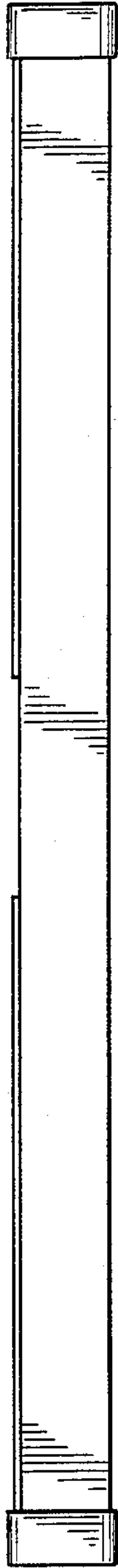


FIGURE 4

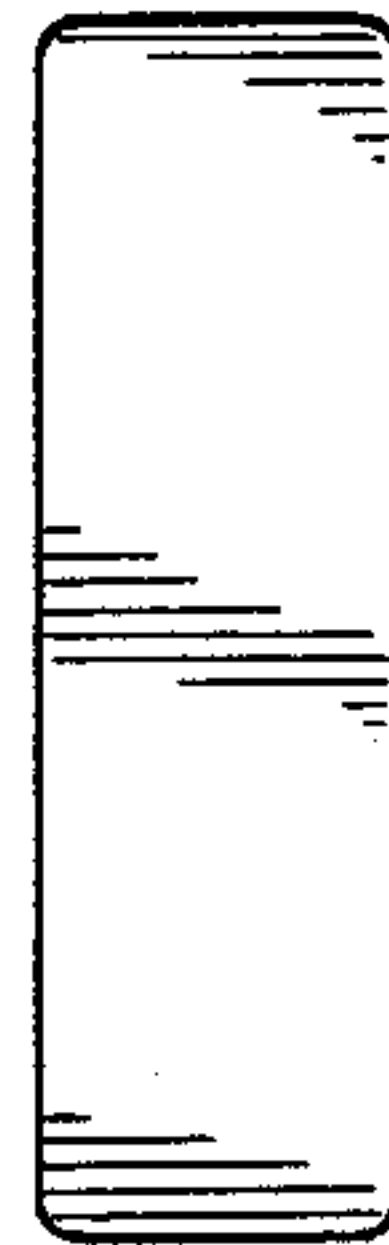


FIGURE 5