

[54] **HOUSING FOR FLUORESCENT LIGHTING  
FIXTURE**

[75] **Inventor: Bruno Gecchelin, Milan, Italy**

[73] **Assignee: iGuzzini Illuminazione S.p.A.,  
Recanati, Italy**

[\*\*] **Term: 14 Years**

[21] **Appl. No.: 25,775**

[22] **Filed: Mar. 13, 1987**

[30] **Foreign Application Priority Data**

Sep. 16, 1986 [IT] Italy ..... 23075/86[U]  
[52] **U.S. Cl.** ..... **D26/75; D25/119;  
D25/123; D26/72**  
[58] **Field of Search** ..... **D26/118, 128-137,  
D26/60, 75-79; 362/216, 217, 218, 220, 221,  
222, 223, 347, 346, 343, 349, 432, 147, 249, 250,  
252**

[56] **References Cited**

**U.S. PATENT DOCUMENTS**

4,338,653 7/1982 Marrero ..... 362/432 X  
4,535,393 8/1985 Aspenwall ..... 362/221 X  
4,554,619 11/1985 Bansbach et al. .... 362/217 X  
4,598,341 7/1986 Brackhahn et al. .... 362/249 X

**FOREIGN PATENT DOCUMENTS**

542125 11/1955 Belgium ..... 362/217

*Primary Examiner*—Susan J. Lucas  
*Attorney, Agent, or Firm*—Hedman, Gibson, Costigan &  
Hoare

[57] **CLAIM**

The ornamental design for a housing for fluorescent lighting fixture, as shown and described.

**DESCRIPTION**

FIG. 1 is a top front and left side perspective view of a housing for a fluorescent lighting fixture showing my new design, the view from the top, rear, and right side being a mirror image;  
FIG. 2 is an end elevational view thereof on an enlarged scale, the opposite end being a mirror image.

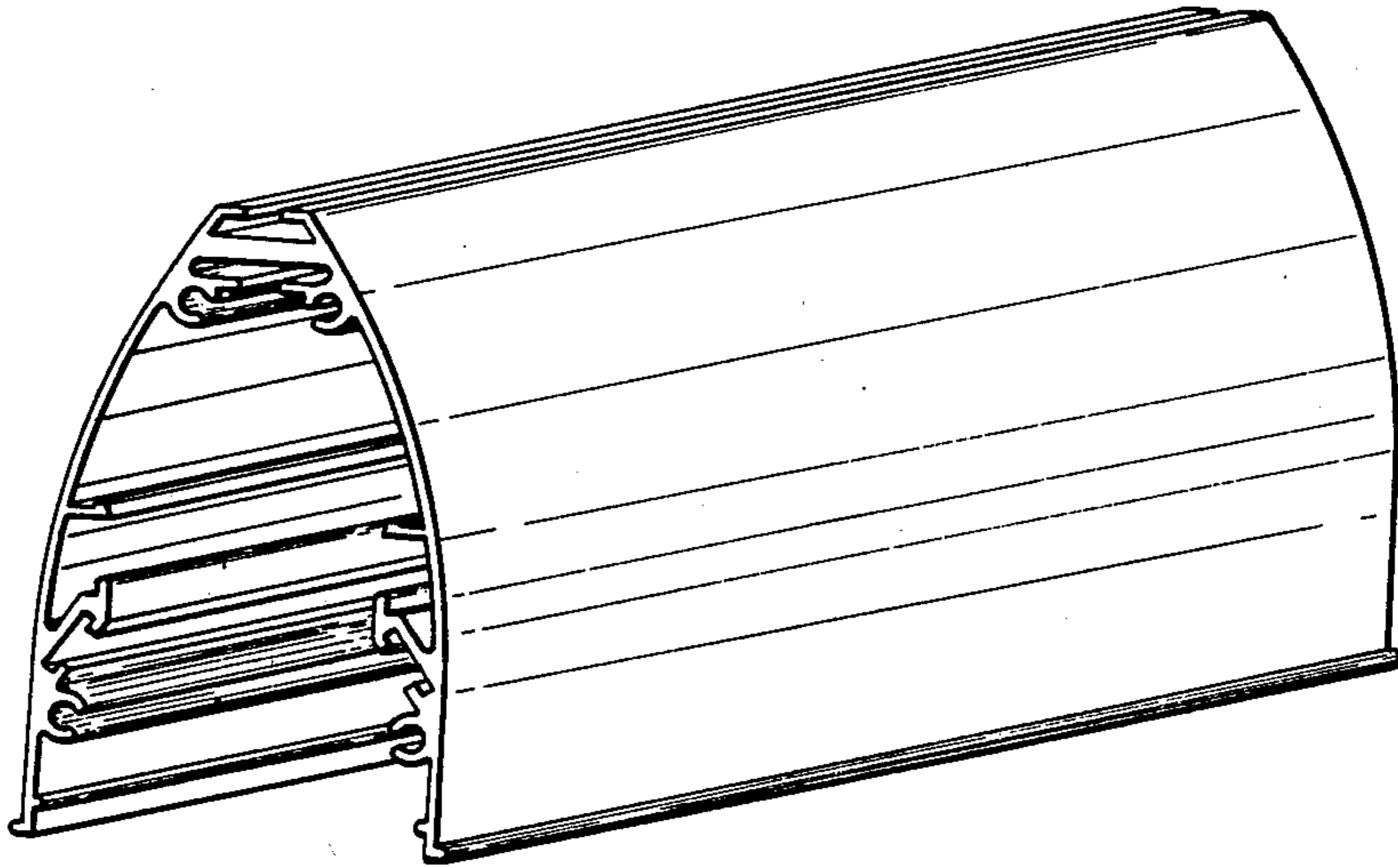


Fig. 1

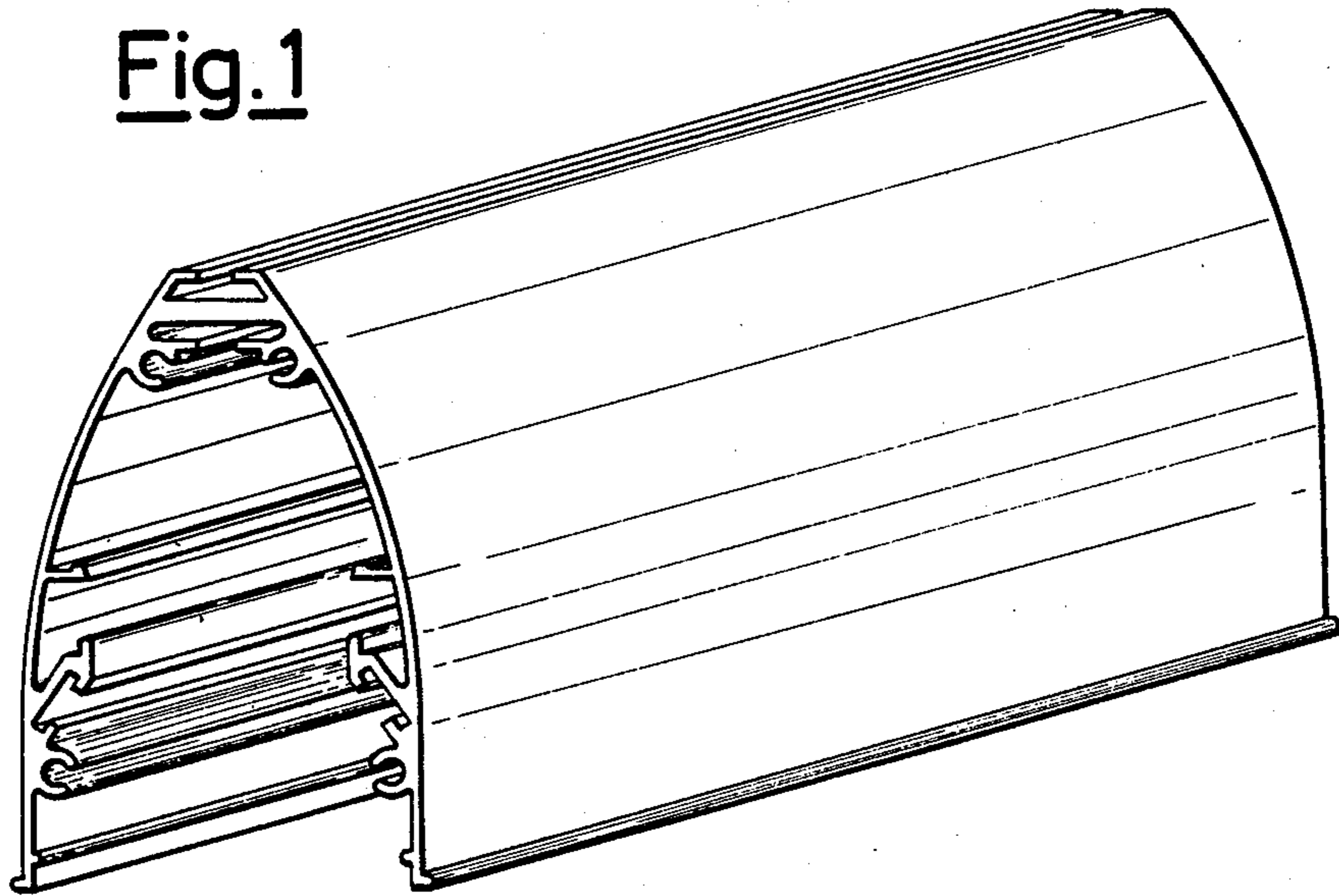


Fig. 2

