

[54] ADJUSTABLE LAMP

[76] Inventor: Bruce Miller, 421 Hudson St., New York, N.Y. 10014

[**] Term: 14 Years

[21] Appl. No.: 919,874

[22] Filed: Oct. 16, 1986

[52] U.S. Cl. D26/63

[58] Field of Search D26/93, 102-112, D26/60-66; 362/410-414, 401, 402; 369/269, 275, 285, 371, 419, 427, 428, 33, 418

[56] References Cited

U.S. PATENT DOCUMENTS

- D. 204,793 5/1966 Rodriguez D26/93
- D. 235,915 7/1975 Desrochers D26/63

OTHER PUBLICATIONS

- Abitare, 9-1983, p. 247, Adjustable Lamp.
- Abitare, 7-8-1984, p. 43, "Mira" Floor Lamp.

Primary Examiner—Susan J. Lucas

Attorney, Agent, or Firm—Cohen, Pontani & Lieberman

[57] CLAIM

The ornamental design for an adjustable lamp, as shown.

DESCRIPTION

FIG. 1 is a top, front perspective view of an adjustable lamp showing my new design;

FIG. 2 is a side elevational view of the adjustable lamp with the arm pivoted to a horizontal position looking from the left toward the right in FIG. 4;

FIG. 3 is a view like FIG. 2 but looking from the right to the left in FIG. 4;

FIG. 4 is a front elevational view thereof;

FIG. 5 is a top plan view thereof;

FIG. 6 is a rear elevational view thereof;

FIG. 7 is a bottom plan view thereof; and

FIG. 8 is a sectional view taken along the line 8—8 in FIG. 4.

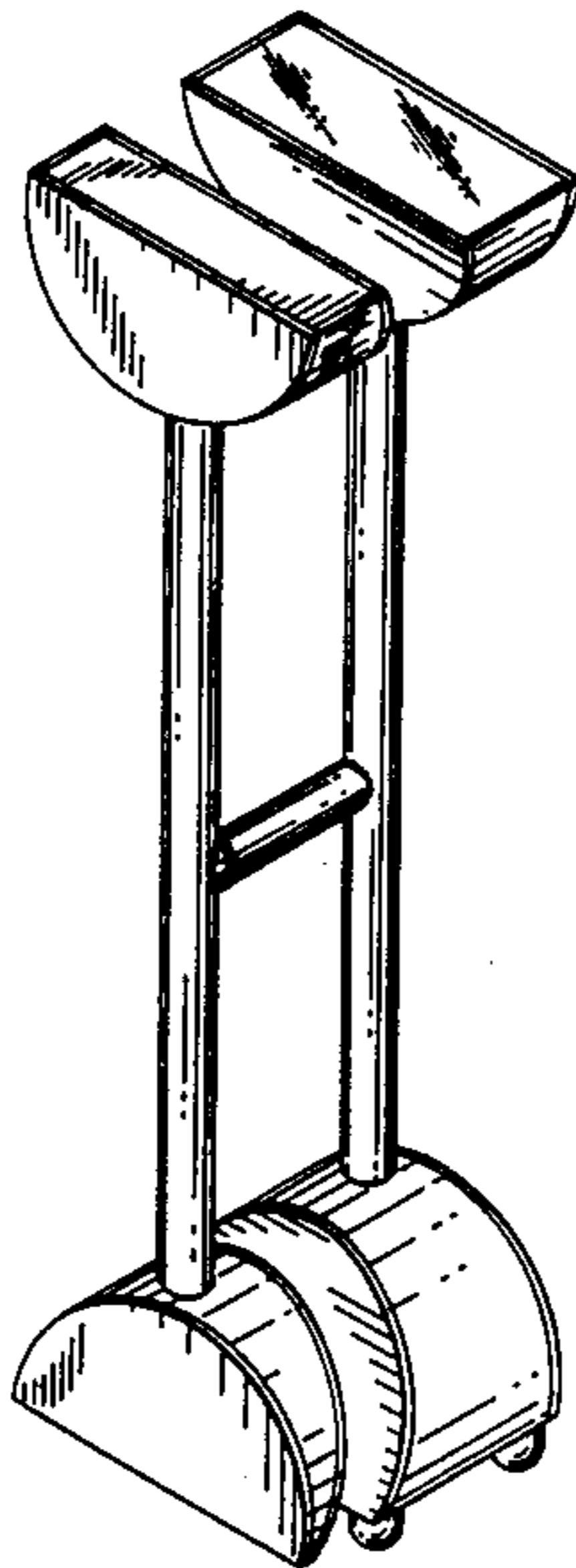


FIG. 1

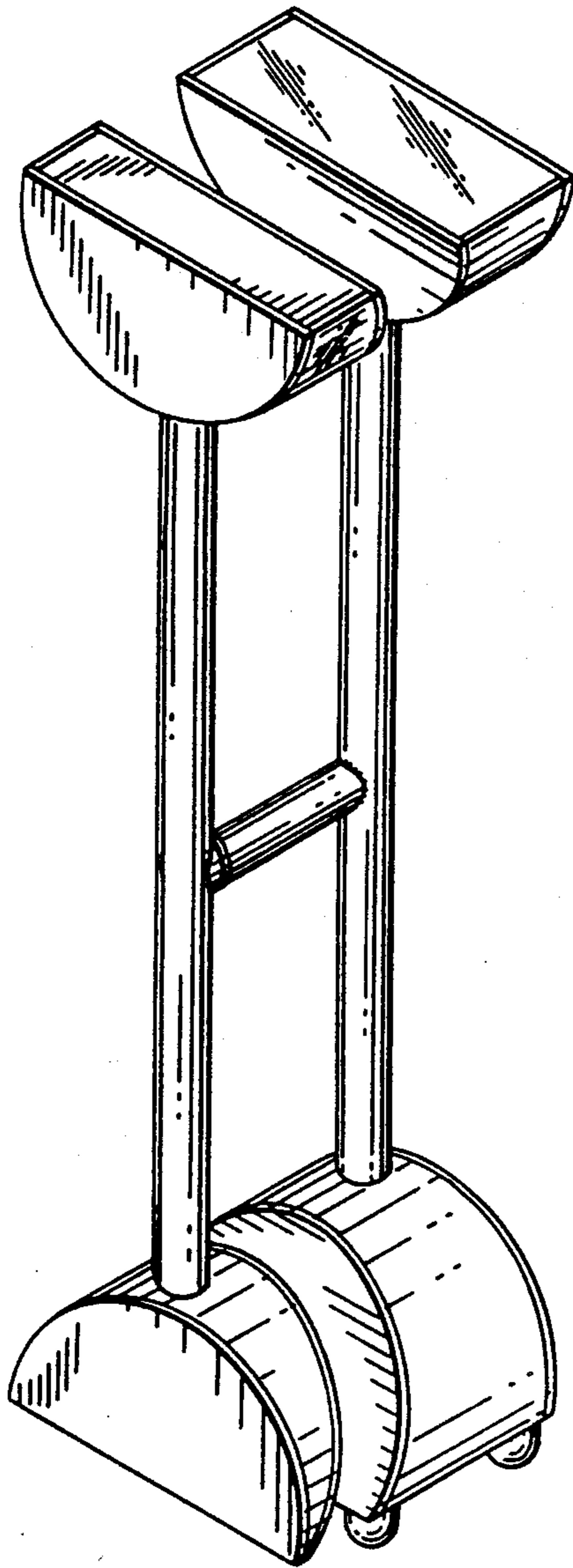


FIG. 2

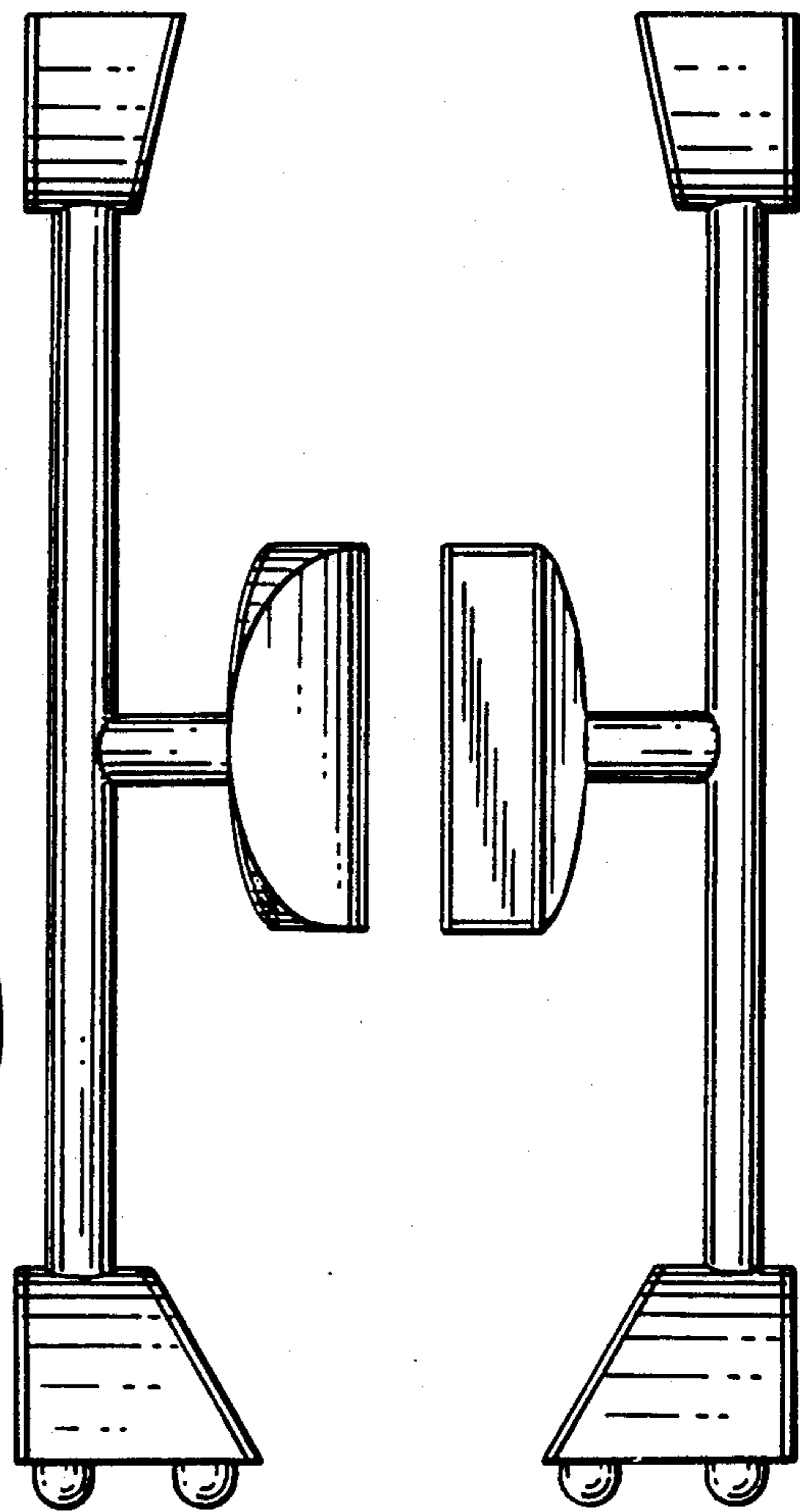
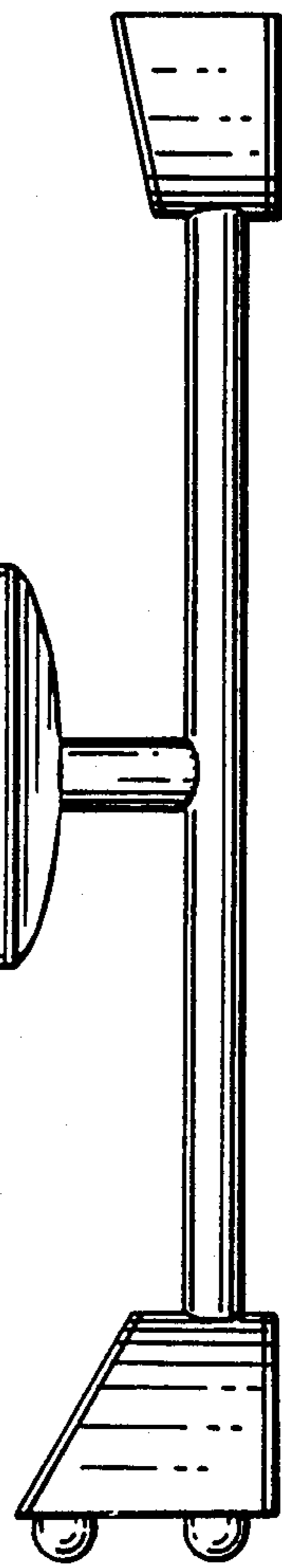


FIG. 3



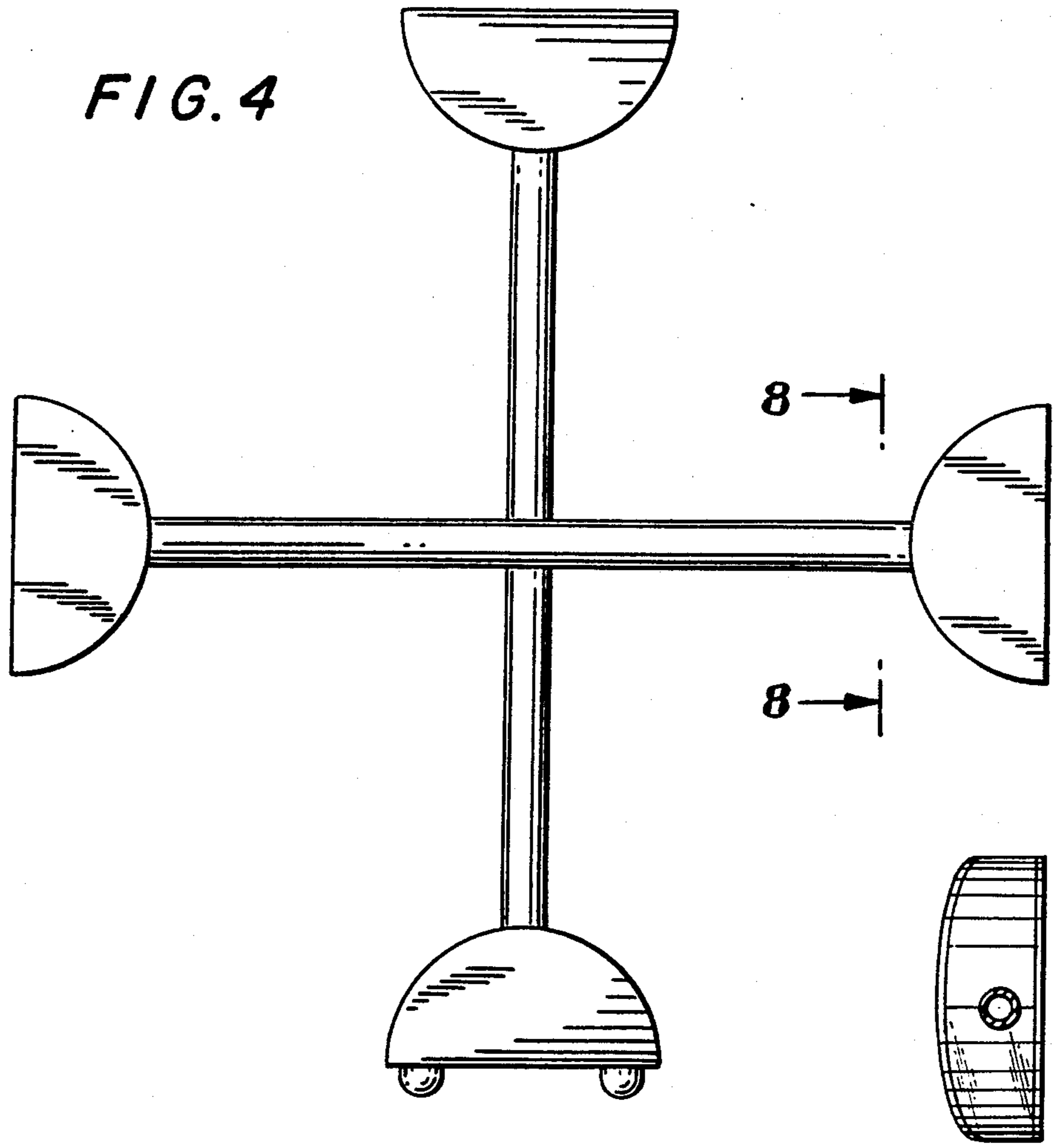


FIG. 5

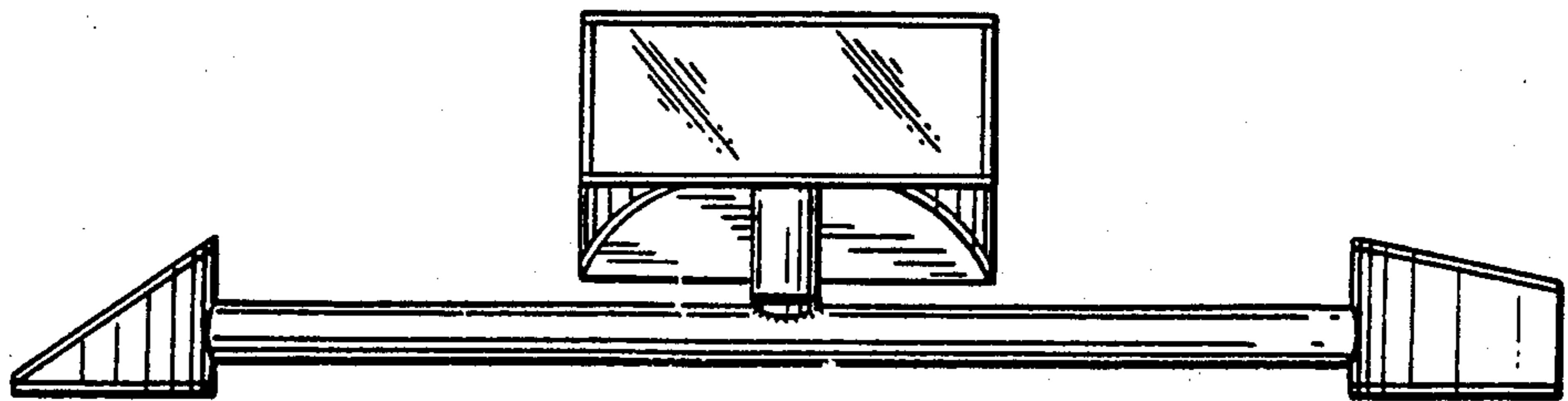


FIG. 8

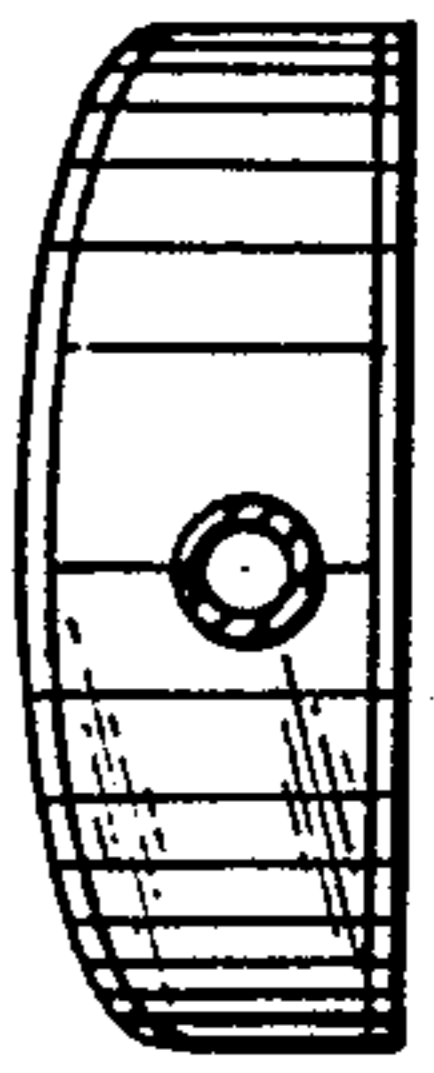


FIG. 6

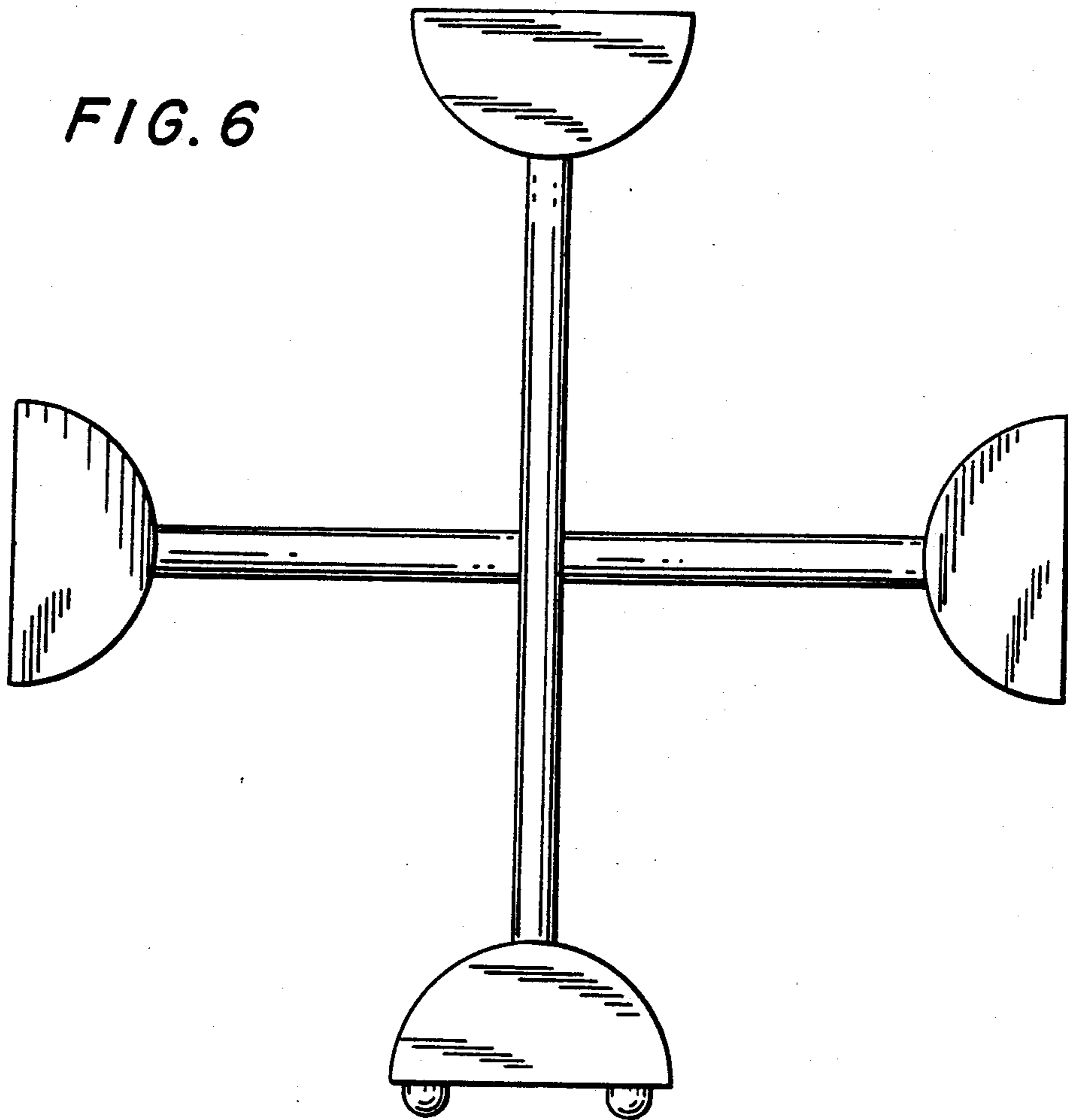


FIG. 7

