

United States Patent [19]

Anderson

[11] Patent Number: Des. 306,760

[45] Date of Patent: ** Mar. 20, 1990

[54] SHELTER

[76] Inventor: Charles Anderson, 8217 E. 60th St.,
Tulsa, Okla. 74155

[**] Term: 14 Years

[21] Appl. No.: 64,931

[22] Filed: Jun. 22, 1987

[52] U.S. Cl. D25/16

[58] Field of Search D25/1, 16, 7, 11, 18,
D25/19, 31; D22/199; 43/1

[56] References Cited

U.S. PATENT DOCUMENTS

D. 229,828 1/1974 Hinkley D25/16
D. 237,964 12/1975 Choponis D25/16
302,463 7/1884 Alexander .
465,900 12/1891 Walker .
488,451 12/1892 Quatermass .

490,779 1/1893 Zimmerman .
503,689 8/1893 Walker .
2,363,765 11/1944 Fleming-Williams 109/1
2,704,983 3/1955 Van Dronkelaar 109/1
3,129,531 4/1964 Connor .
3,889,698 6/1975 Roessl D25/16

Primary Examiner—A. Hugo Word
Attorney, Agent, or Firm—Richards, Medlock &
Andrews

[57] CLAIM

The ornamental design for a shelter, as shown.

DESCRIPTION

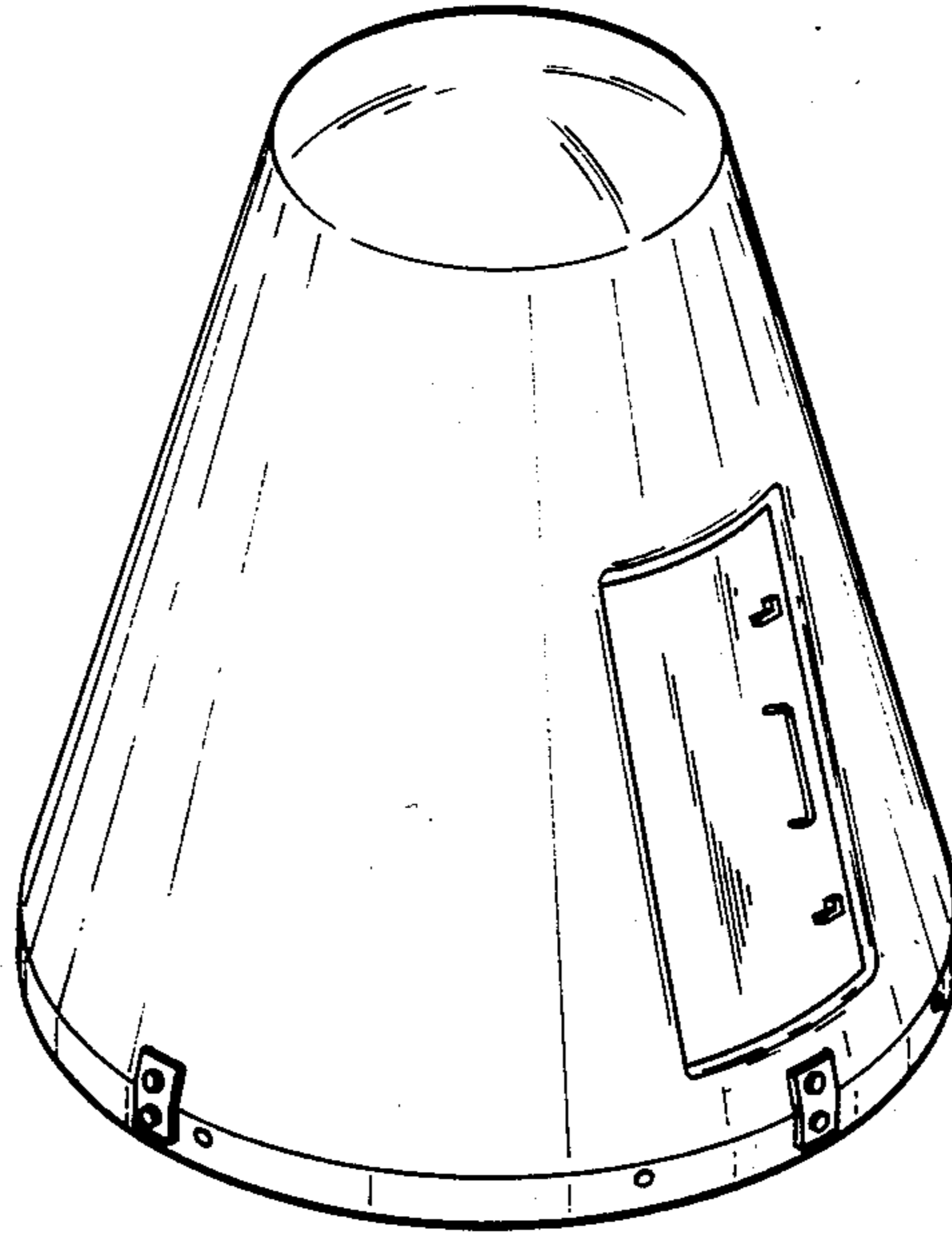
FIG. 1 is a perspective view of a shelter showing my new design;

FIG. 2 is a front elevational view thereof;

FIG. 3 is a side elevational view thereof;

FIG. 4 is a top plan view thereof; and

FIG. 5 is a bottom plan view thereof.



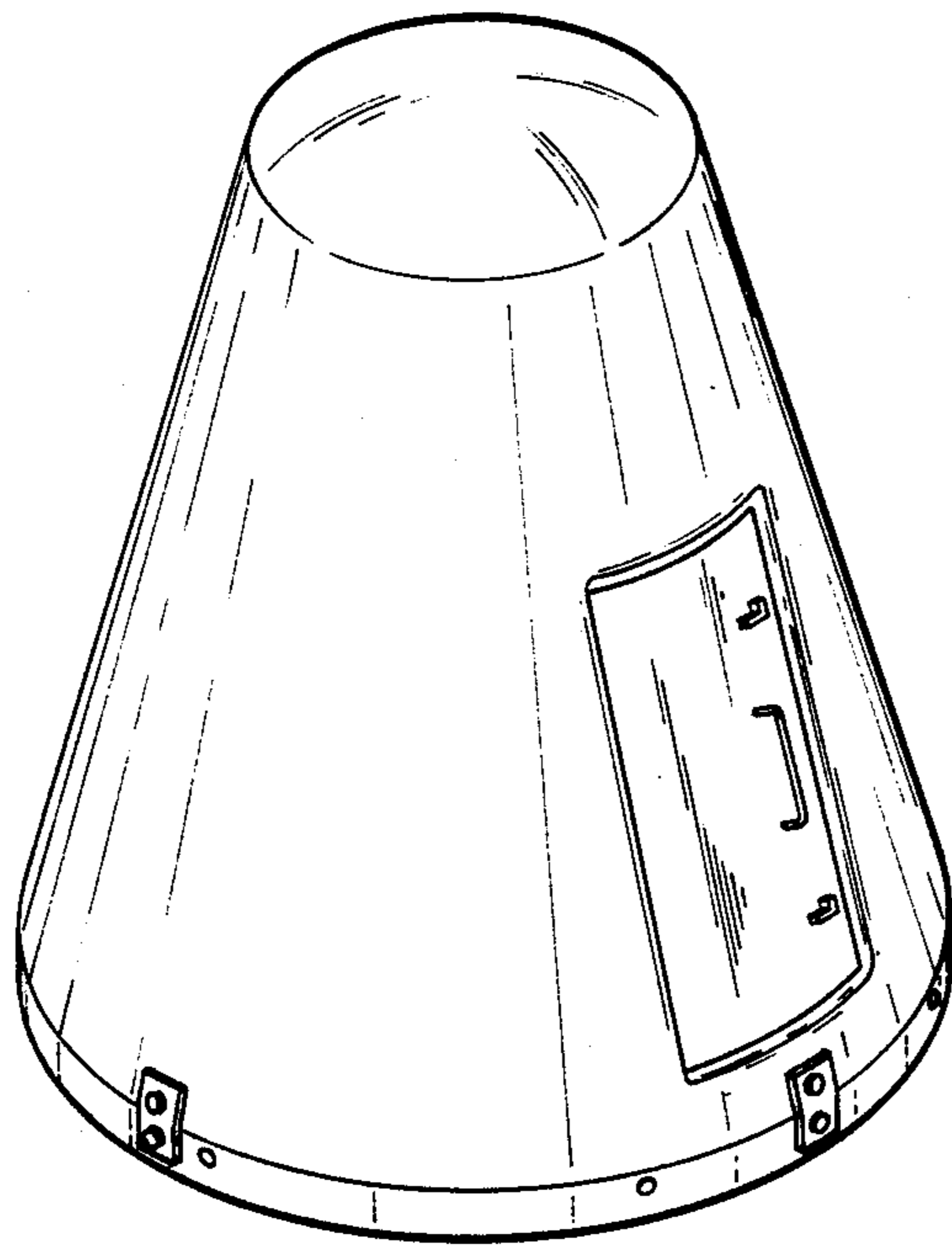


FIG. 1

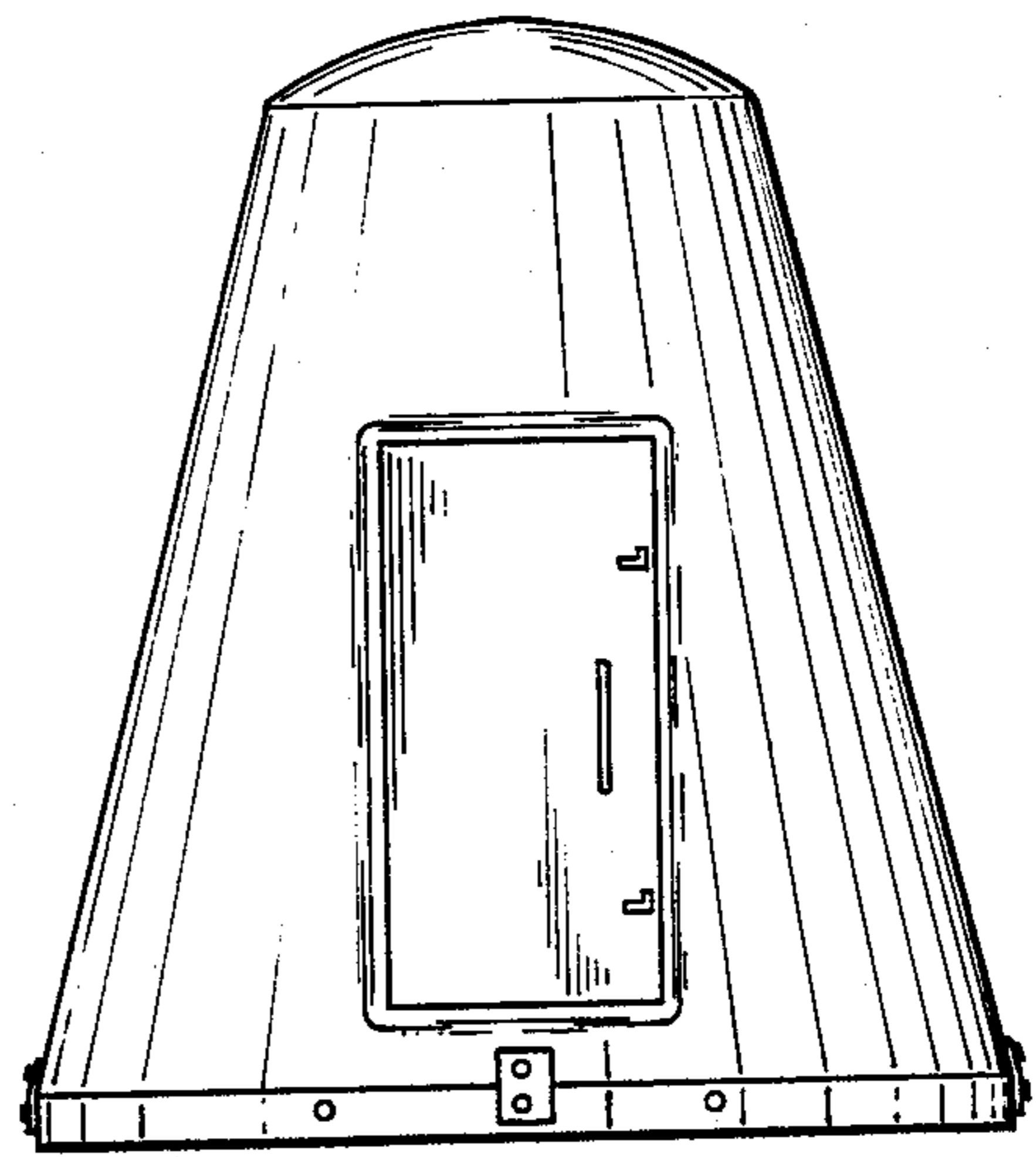


FIG. 2

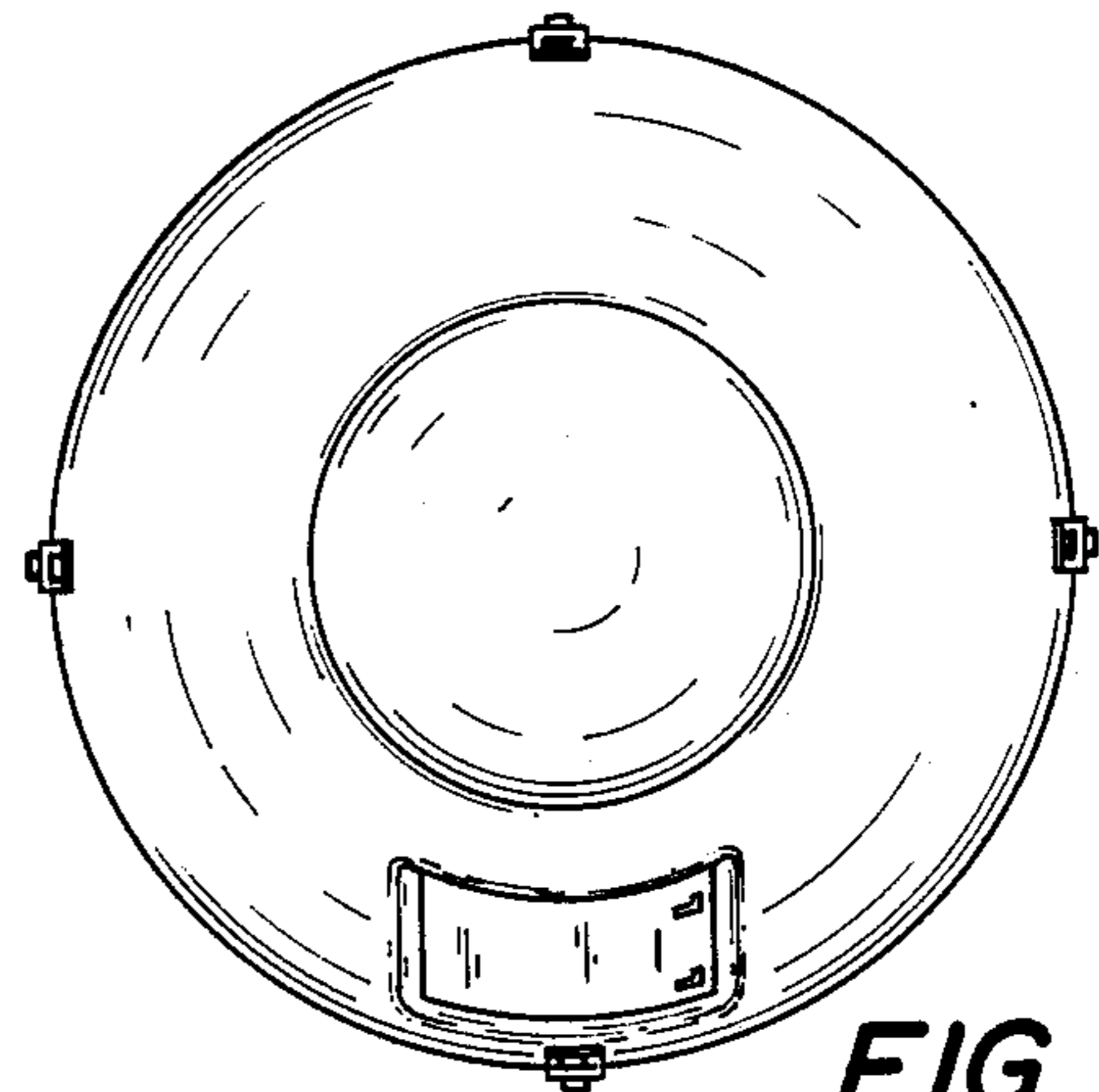


FIG. 4

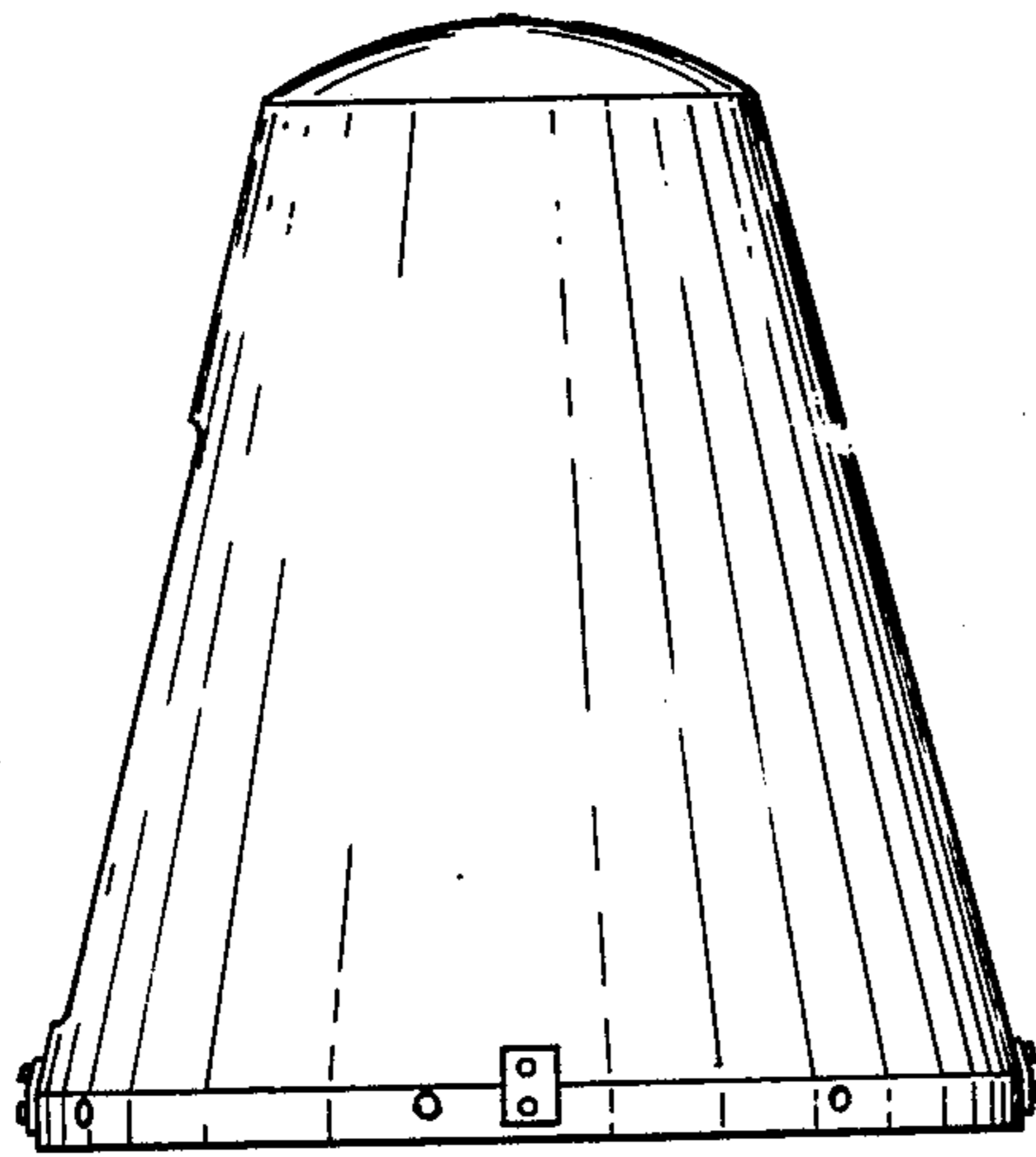


FIG. 3

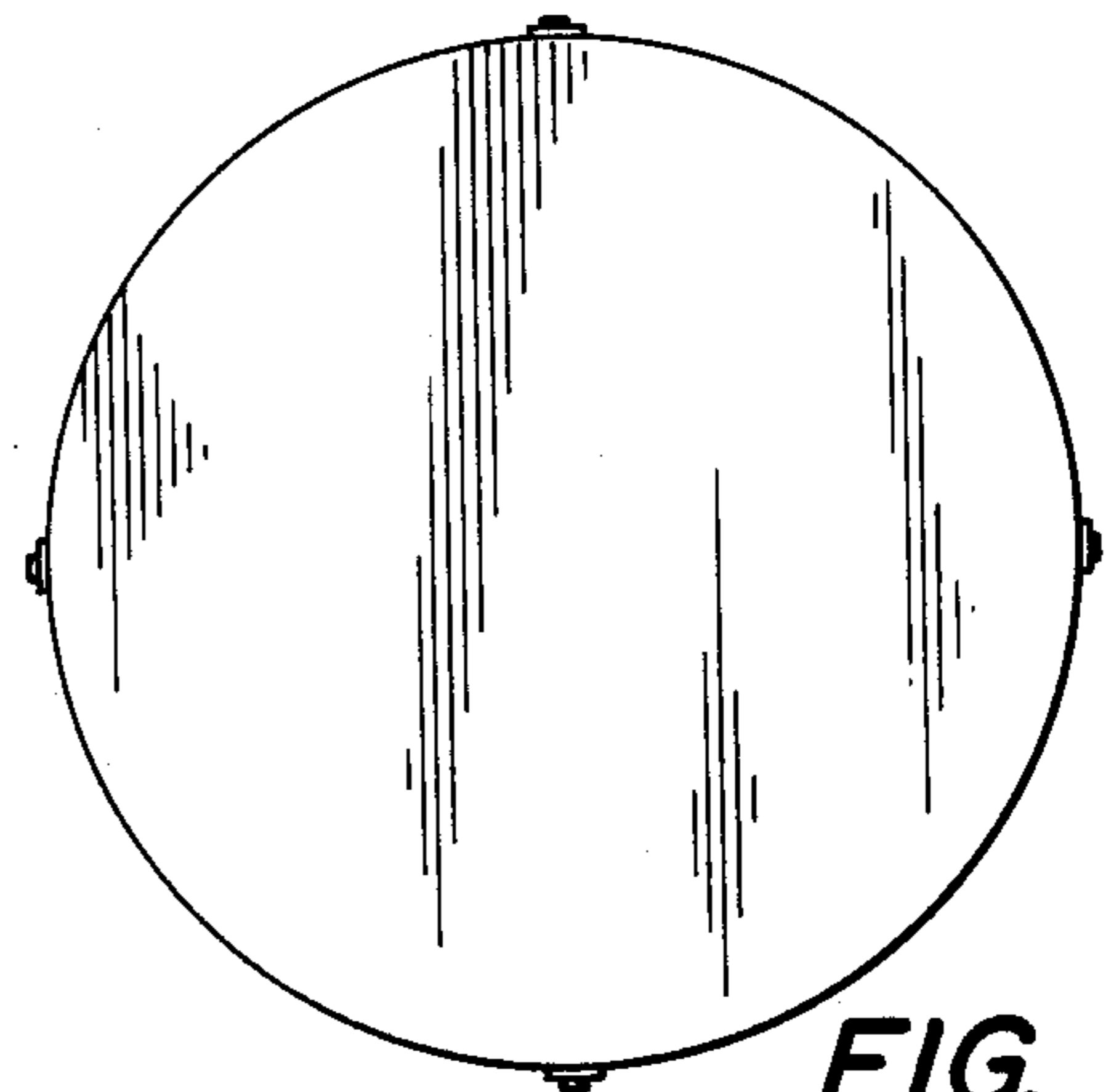


FIG. 5