

[54] HEAD FOR A QUICK-CHANGE FILTER CARTRIDGE

[75] Inventors: Raymond M. Petrucci, Middlebury; Bruce G. Taylor, Kensington; Edward C. Giordano, Manchester, all of Conn.; James M. Padilla, Covina Heights; Carl Palmer, La Habra Heights, both of Calif.

[73] Assignee: Cuno, Incorporated, Meriden, Conn.

[\*\*] Term: 14 Years

[21] Appl. No.: 128,505

[22] Filed: Dec. 3, 1987

Related U.S. Application Data

[63] Continuation-in-part of Ser. No. 822,549, Jan. 27, 1986, abandoned.

[52] U.S. Cl. .... D23/209

[58] Field of Search ..... D23/207-210; 210/136, 238, 282, 234, 440, 444, 446, 448, 457, 492

[56] References Cited

U.S. PATENT DOCUMENTS

- D. 199,075 9/1964 Kudlaty ..... D23/209
D. 199,139 9/1964 Kudlaty ..... D23/209
D. 220,263 3/1971 Hughes ..... D23/209

- D. 250,415 11/1978 Rosaen et al. .... D23/209
D. 295,438 4/1988 Bray et al. .... D23/207
1,624,526 4/1927 Bohmsack ..... D23/209 X
2,955,712 10/1960 Gutkowski ..... 210/234
3,237,770 3/1966 Humbert, Jr. .... 210/94
4,192,750 3/1980 Elfes et al. .... 210/232

Primary Examiner—Susan J. Lucas
Assistant Examiner—M. H. Tung
Attorney, Agent, or Firm—Weingram & Zall

[57] CLAIM

The ornamental design for a head for a quick-change filter cartridge, as shown and described.

DESCRIPTION

FIG. 1 is a top rear perspective view of a head for a quick-change filter cartridge showing our new design; FIG. 2 is a top front perspective view thereof; FIG. 3 is a bottom front perspective view thereof; FIG. 4 is a top plan view thereof; FIG. 5 is a rear elevational view thereof; FIG. 6 is a front elevational view thereof; FIG. 7 is a left side elevational view thereof; FIG. 8 is a right side elevational view thereof; FIG. 9 is a bottom plan view thereof; FIG. 10 is a cross-sectional view thereof, taken on line 10-10 of FIG. 4; FIG. 11 is a cross-sectional view thereof, taken on line 11-11 of FIG. 10; and FIG. 12 is a cross-sectional view thereof, taken on line 12-12 of FIG. 10.

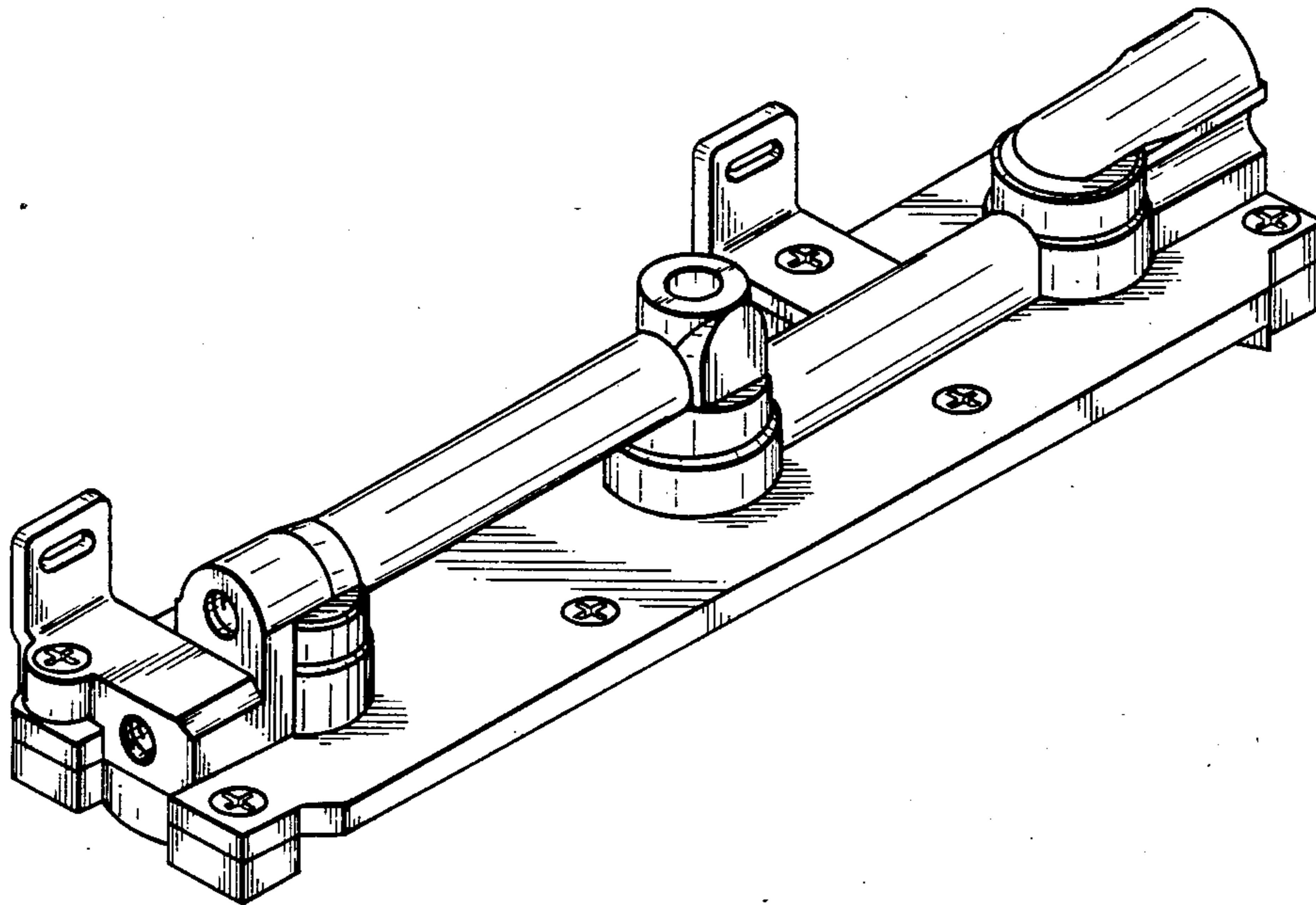


FIG-1

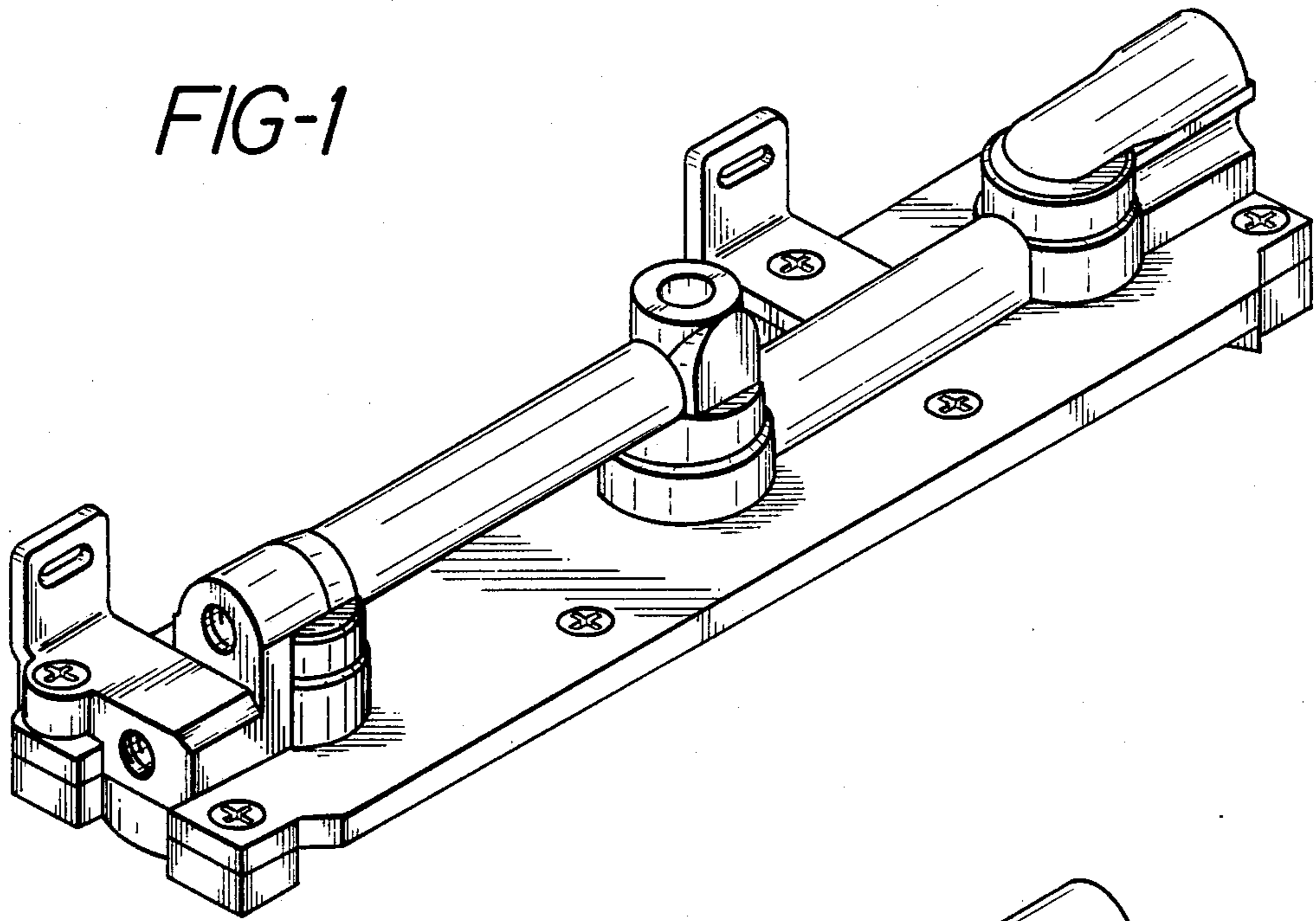


FIG-2

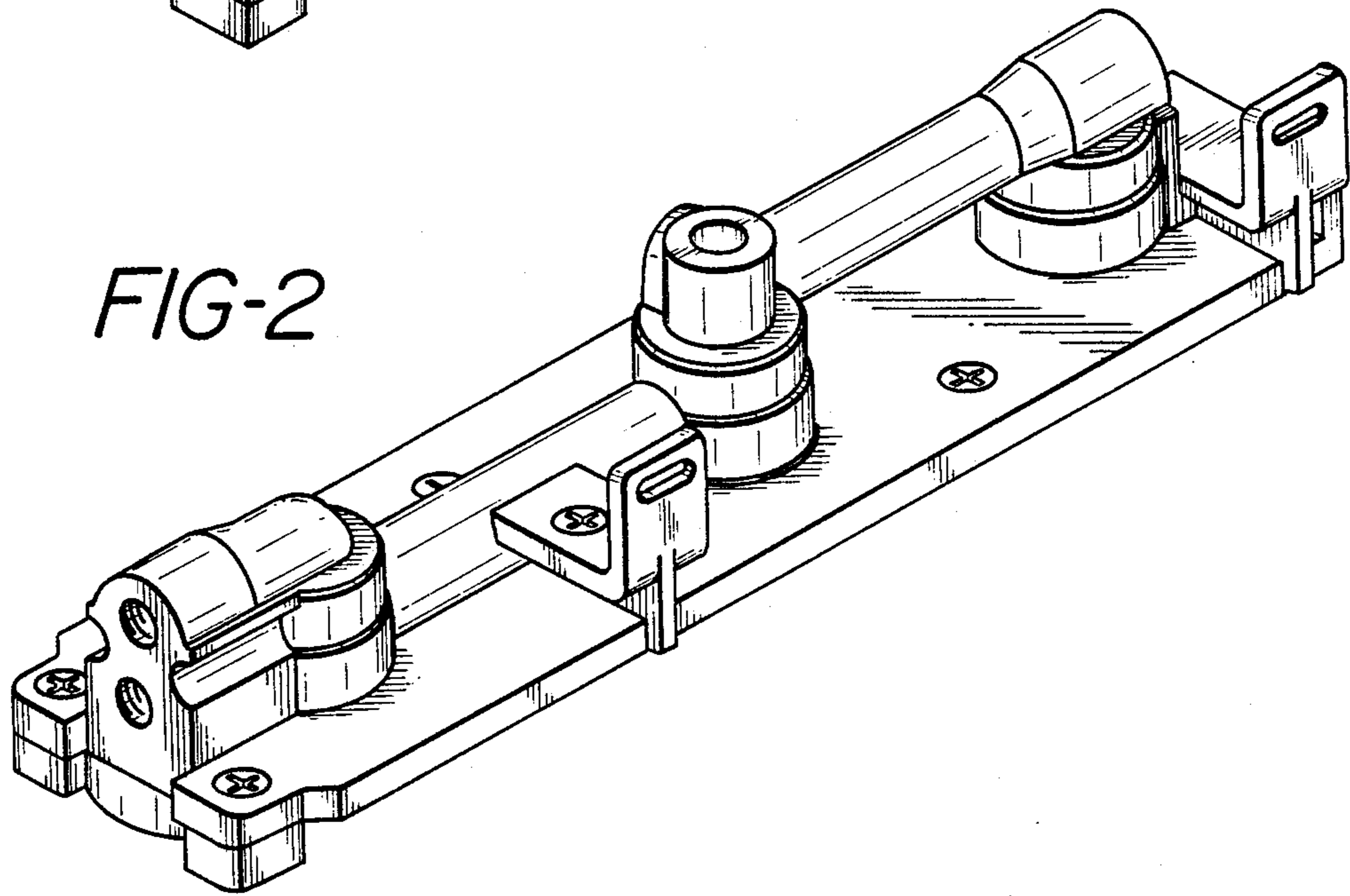


FIG-3

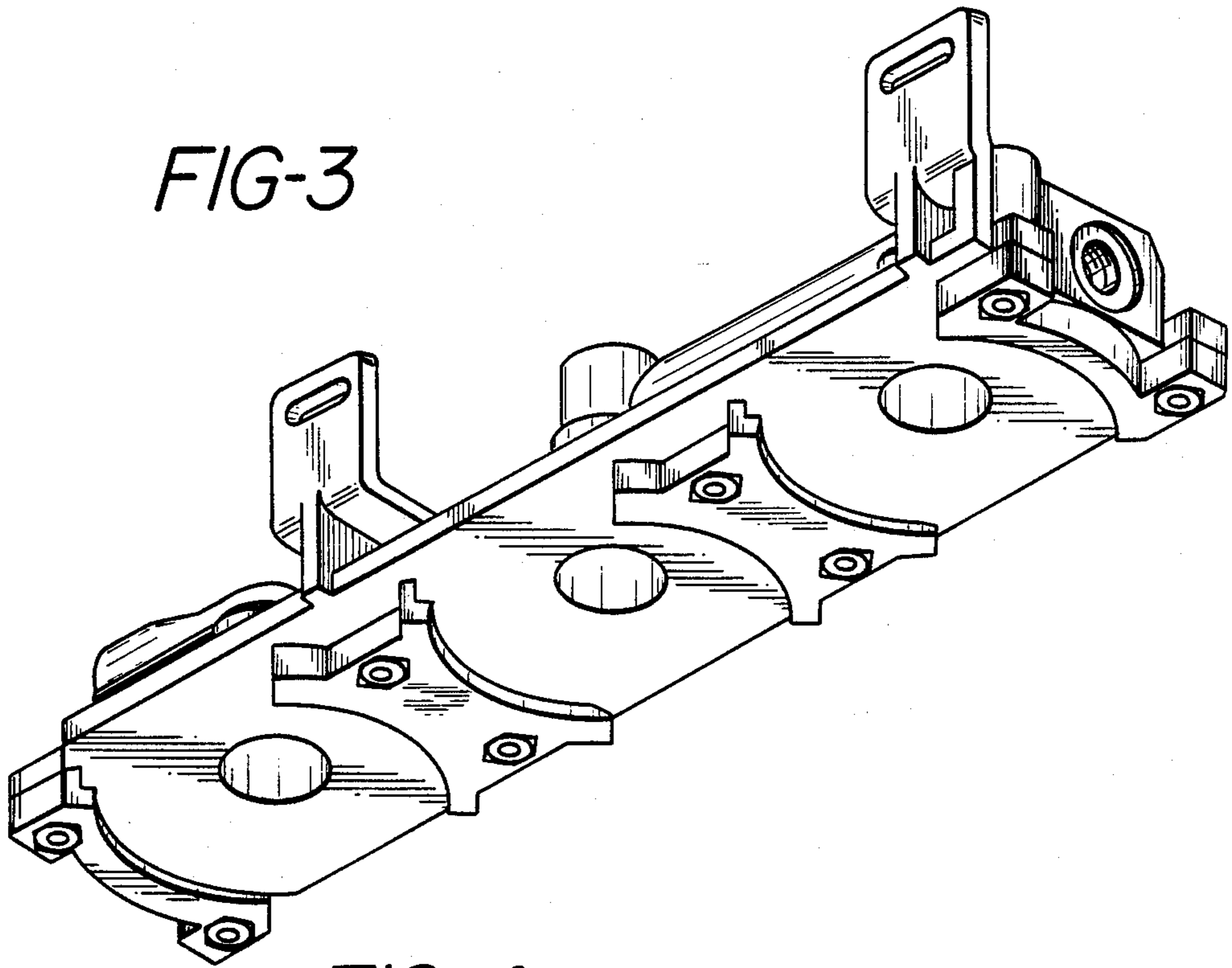


FIG-4

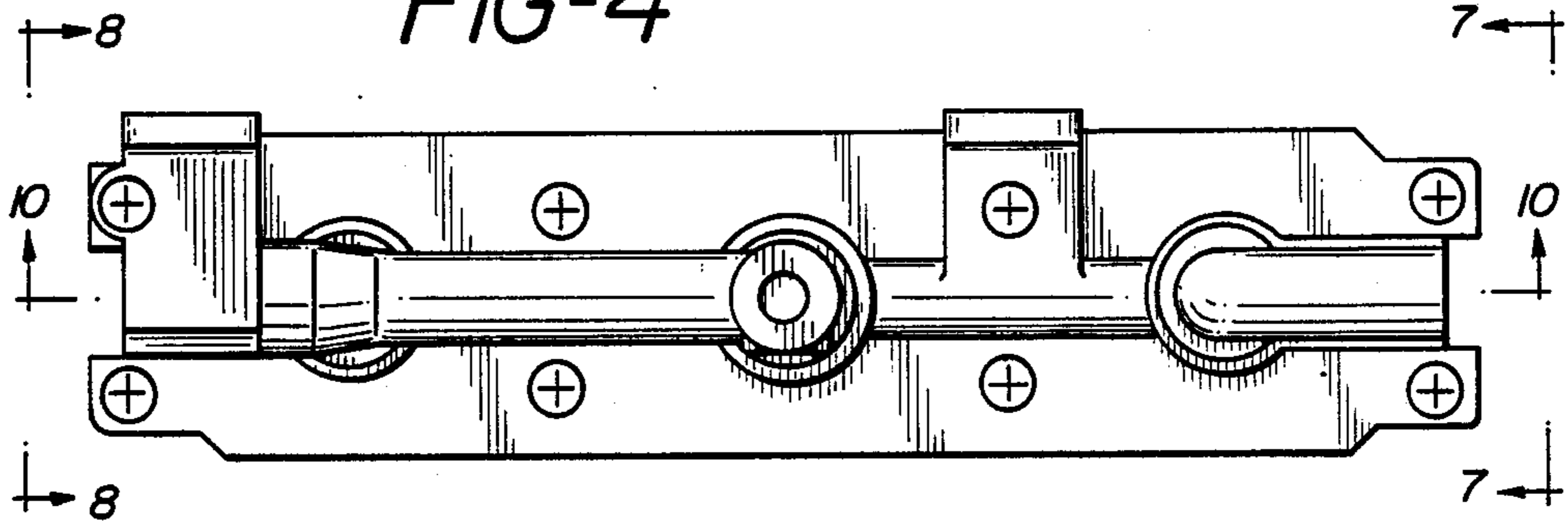


FIG-5

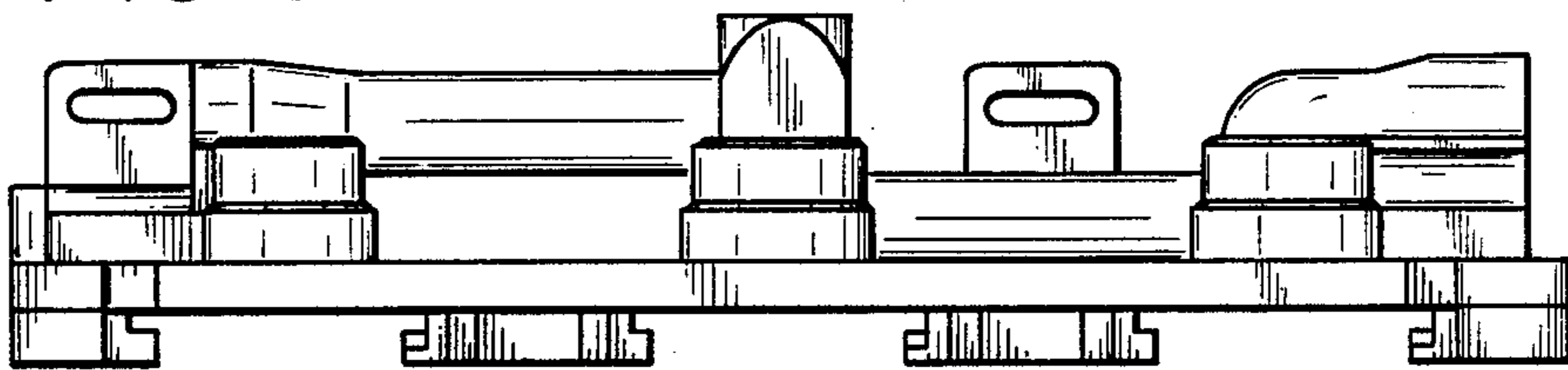




FIG-6

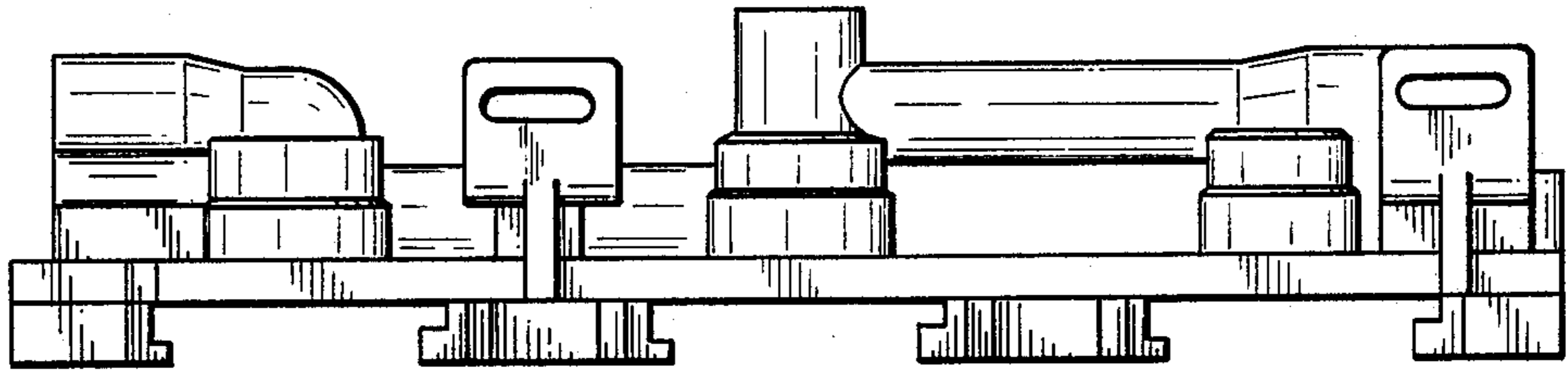


FIG-7

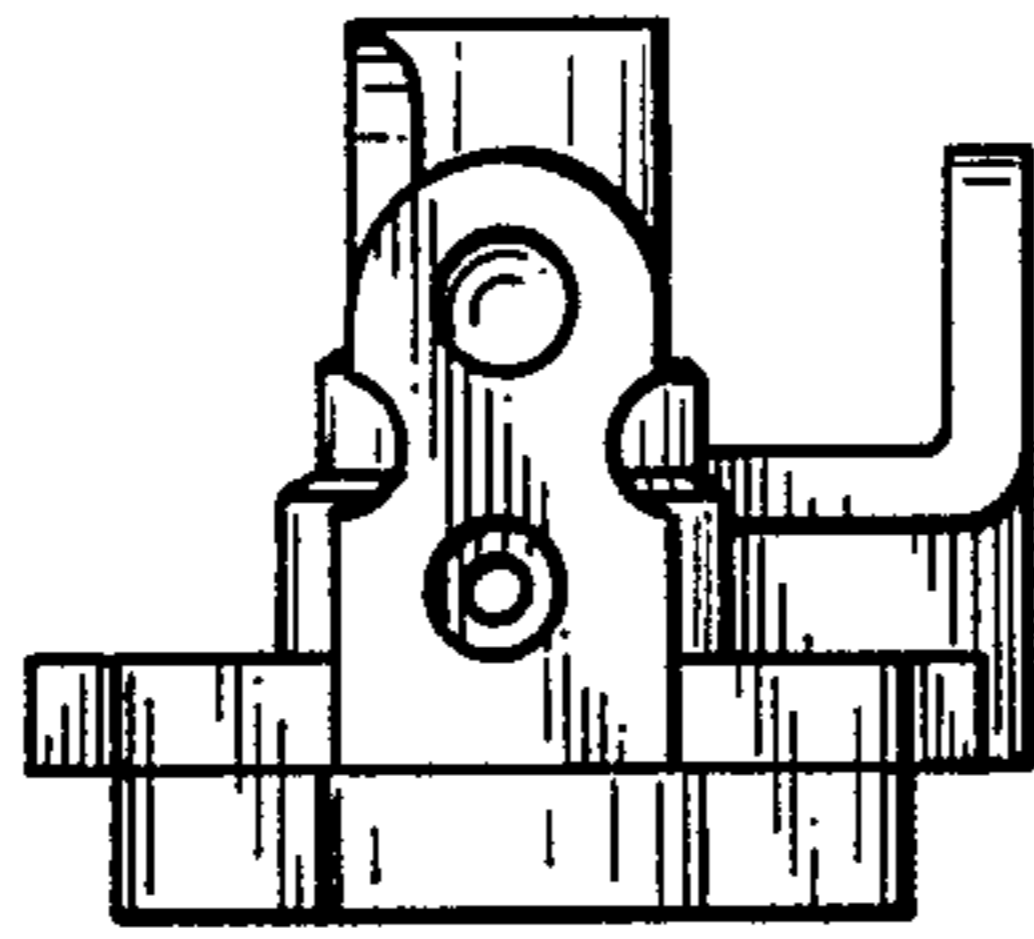


FIG-8

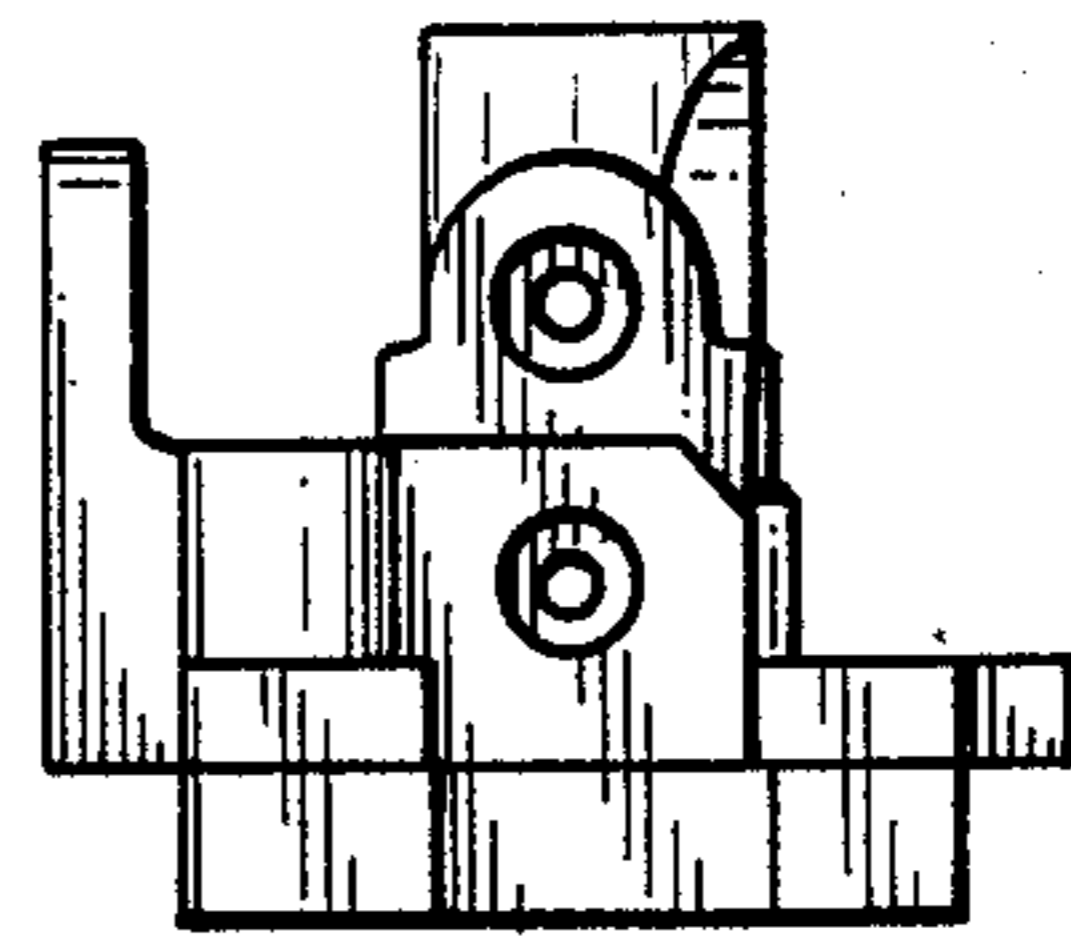


FIG-9

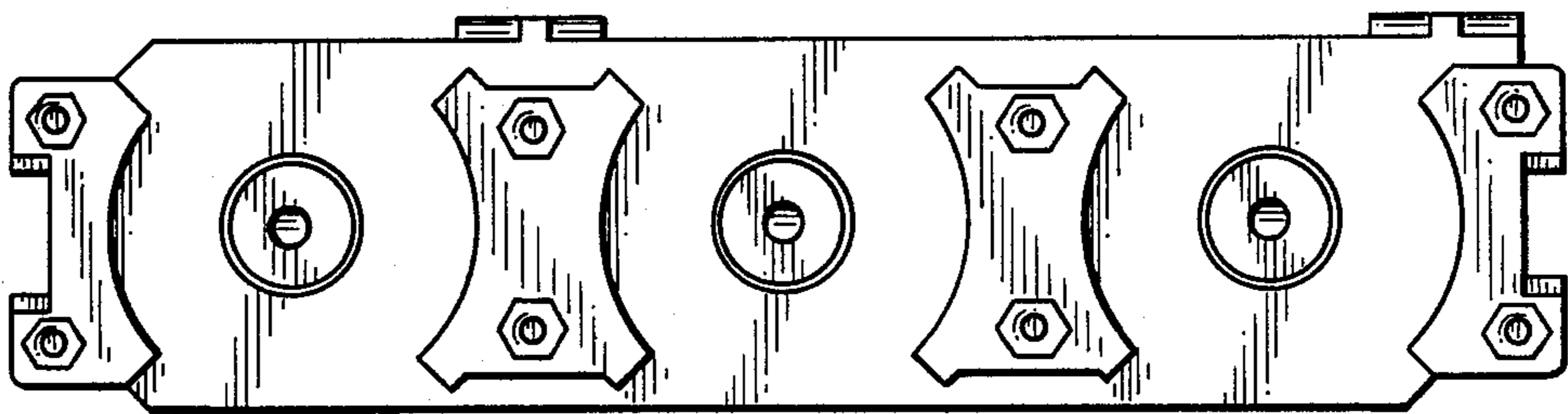


FIG-10

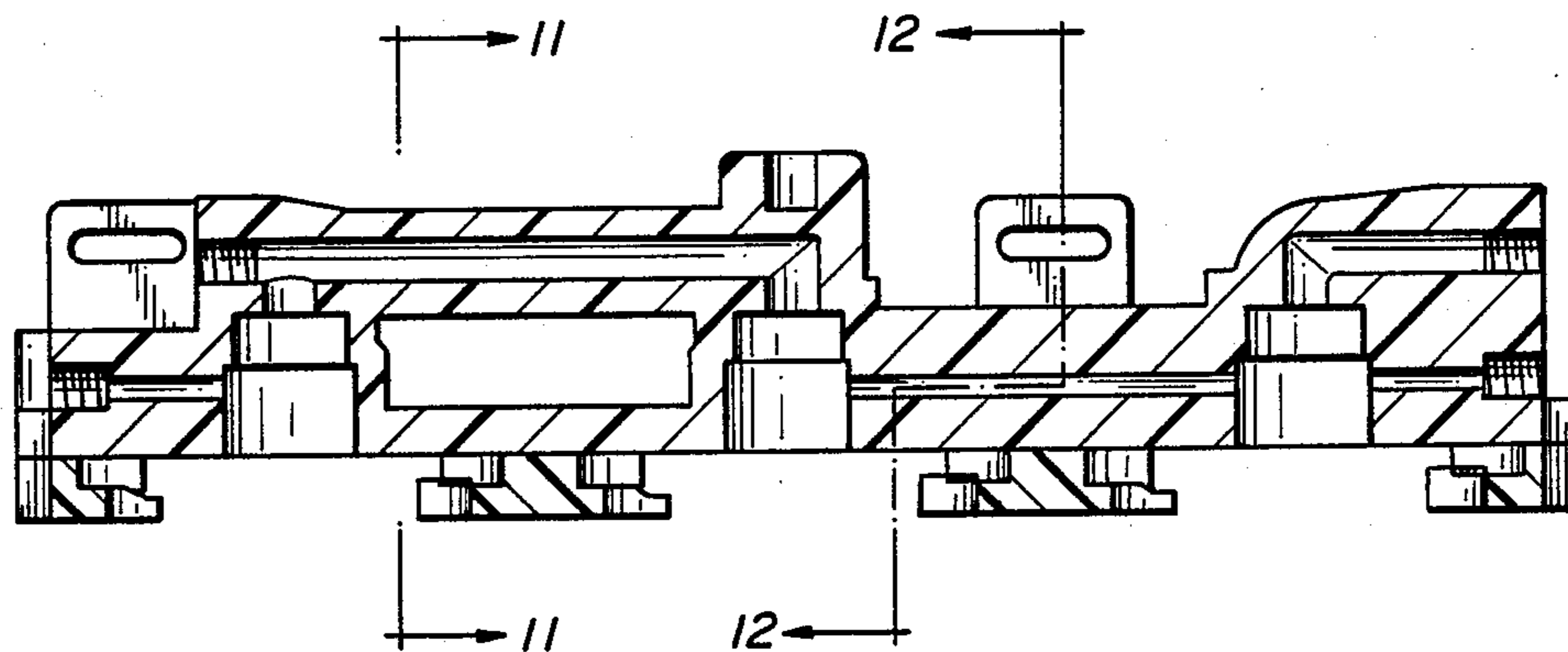


FIG-11

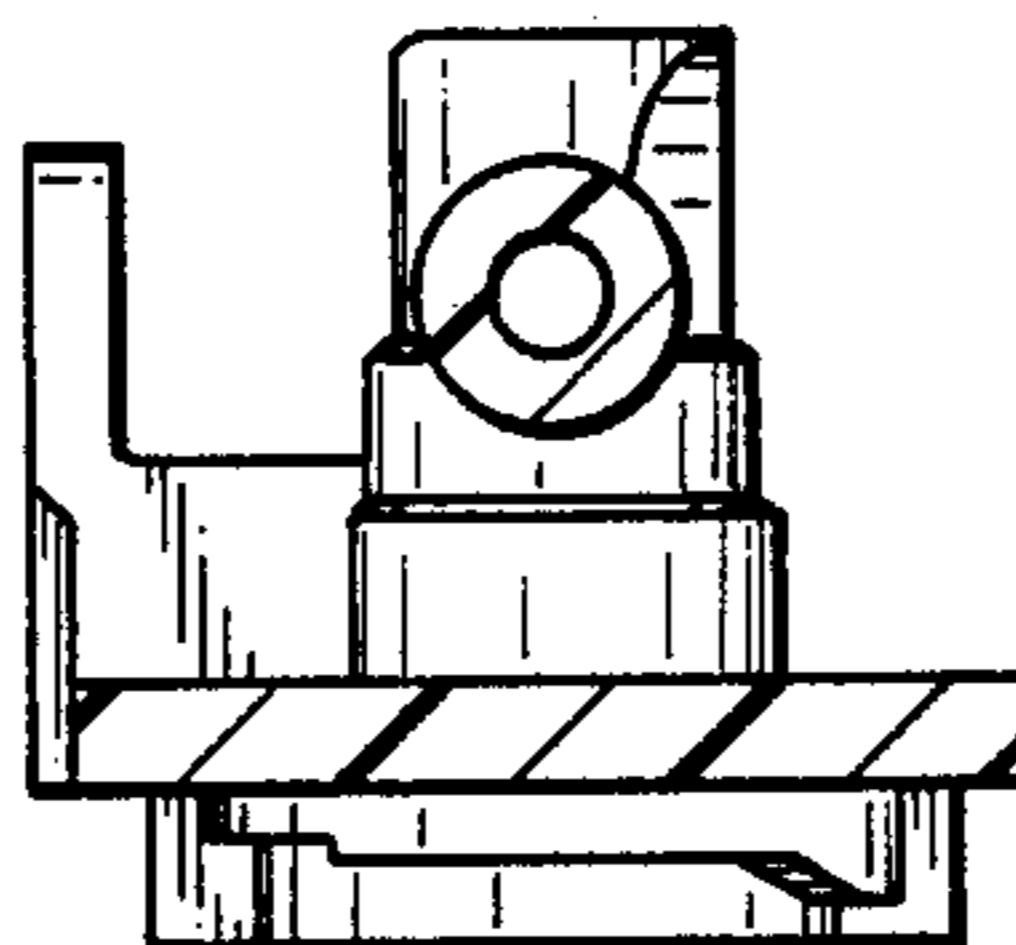


FIG-12

