

[54] ROWING MACHINE

[75] Inventor: Heikki Kiiski, Turku, Finland

[73] Assignee: Tunturipyörä Oy, Turku, Finland

[**] Term: 14 Years

[21] Appl. No.: 62,568

[22] Filed: Jun. 16, 1987

[30] Foreign Application Priority Data

Feb. 25, 1987 [FI] Finland 129/87

[52] U.S. Cl. D21/195

[58] Field of Search D21/191-199;
272/72, 130, 134, 137, 140, 145, 143, 141, 142

[56] References Cited

U.S. PATENT DOCUMENTS

- D. 268,194 3/1983 Smith D21/195
- D. 268,278 3/1983 Smith D21/195
- D. 283,530 4/1986 Smith D21/195
- D. 286,311 10/1986 Martinell et al. D21/195

- D. 288,951 3/1987 Kiiski D21/195
- D. 289,539 4/1987 Brentham D21/195
- D. 291,823 9/1987 Smith et al. D21/195
- D. 297,853 9/1988 Ostrom D21/195
- 4,995,147 1/1989 Seal 272/134

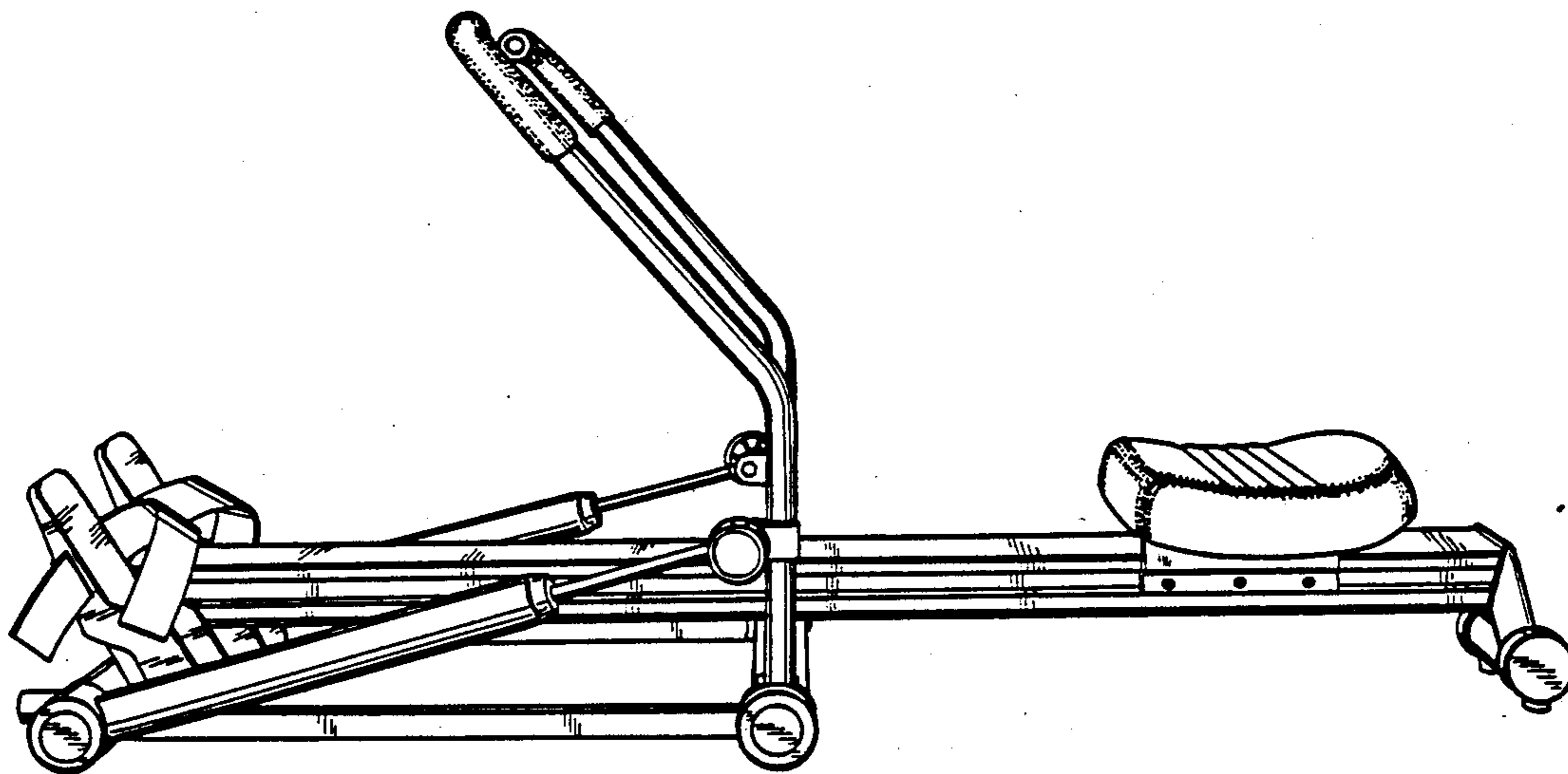
Primary Examiner—Charles A. Rademaker
Attorney, Agent, or Firm—Fleit, Jacobson, Cohn, Price,
Holman & Stern

[57] CLAIM

The ornamental design for a rowing machine, as shown and described.

DESCRIPTION

FIG. 1 is a side perspective view of a rowing machine showing my new design;
 FIG. 2 is a perspective view of the side opposite that shown in FIG. 1;
 FIG. 3 is a top plan view thereof;
 FIG. 4 is a bottom perspective view thereof;
 FIG. 5 is a front perspective view thereof; and,
 FIG. 6 is a rear perspective view thereof.



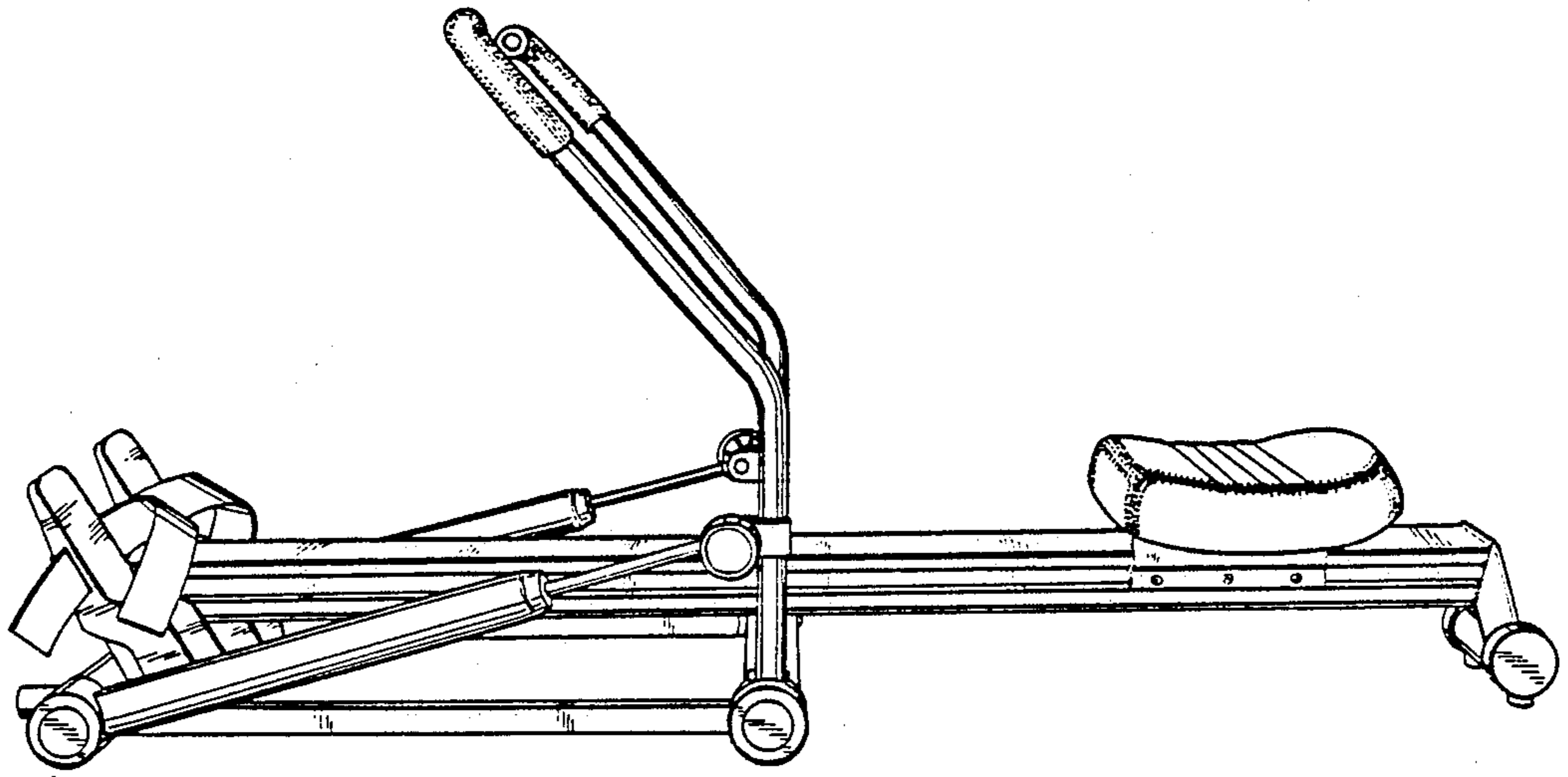


FIG. 1

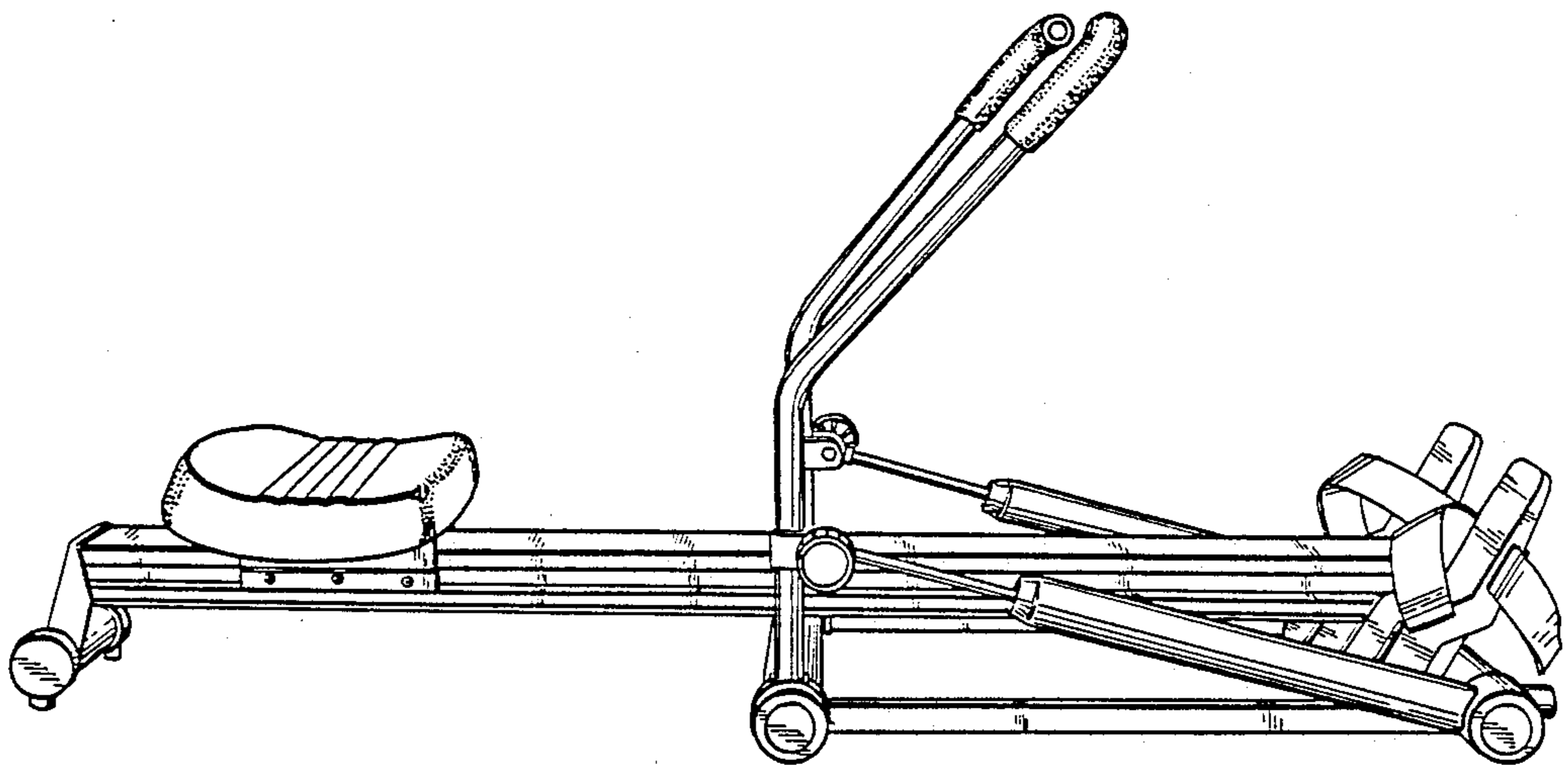


FIG. 2