

[54] COMBINED CAMERA AND FILM CARTRIDGE

D. 287,976 1/1987 Nakazawa et al. .... D16/211  
D. 295,526 5/1988 Baba ..... D16/218  
3,938,170 2/1976 Winkler ..... 354/187

[76] Inventor: Kwok Y. Chan, 981 King's Road, North Point, 7th Floor, Hong Kong, Hong Kong

Primary Examiner—Bernard Ansher  
Assistant Examiner—Adir Aronovich

[\*\*] Term: 14 Years

[57] CLAIM

The ornamental design for combined camera and film cartridge, as shown and described.

[21] Appl. No.: 882,087

DESCRIPTION

[22] Filed: Jul. 3, 1986

[52] U.S. Cl. .... D16/208; D16/211

[58] Field of Search ..... D16/200, 208, 209, 218, D16/219, 220; 354/83, 84, 85, 86, 149.11, 152, 173.1, 173.11, 288, 187

FIG. 1 is a perspective view of a combined camera and film cartridge showing my new design;  
FIG. 2 is a front elevational view thereof;  
FIG. 3 is a top plan view thereof;  
FIG. 4 is a bottom plan view thereof;  
FIG. 5 is a rear elevational view thereof;  
FIG. 6 is a side elevational view thereof; and  
FIG. 7 is an elevation as seen from the opposite side of FIG. 6.

[56] References Cited

U.S. PATENT DOCUMENTS

D. 217,304 4/1970 Doblin ..... D16/218

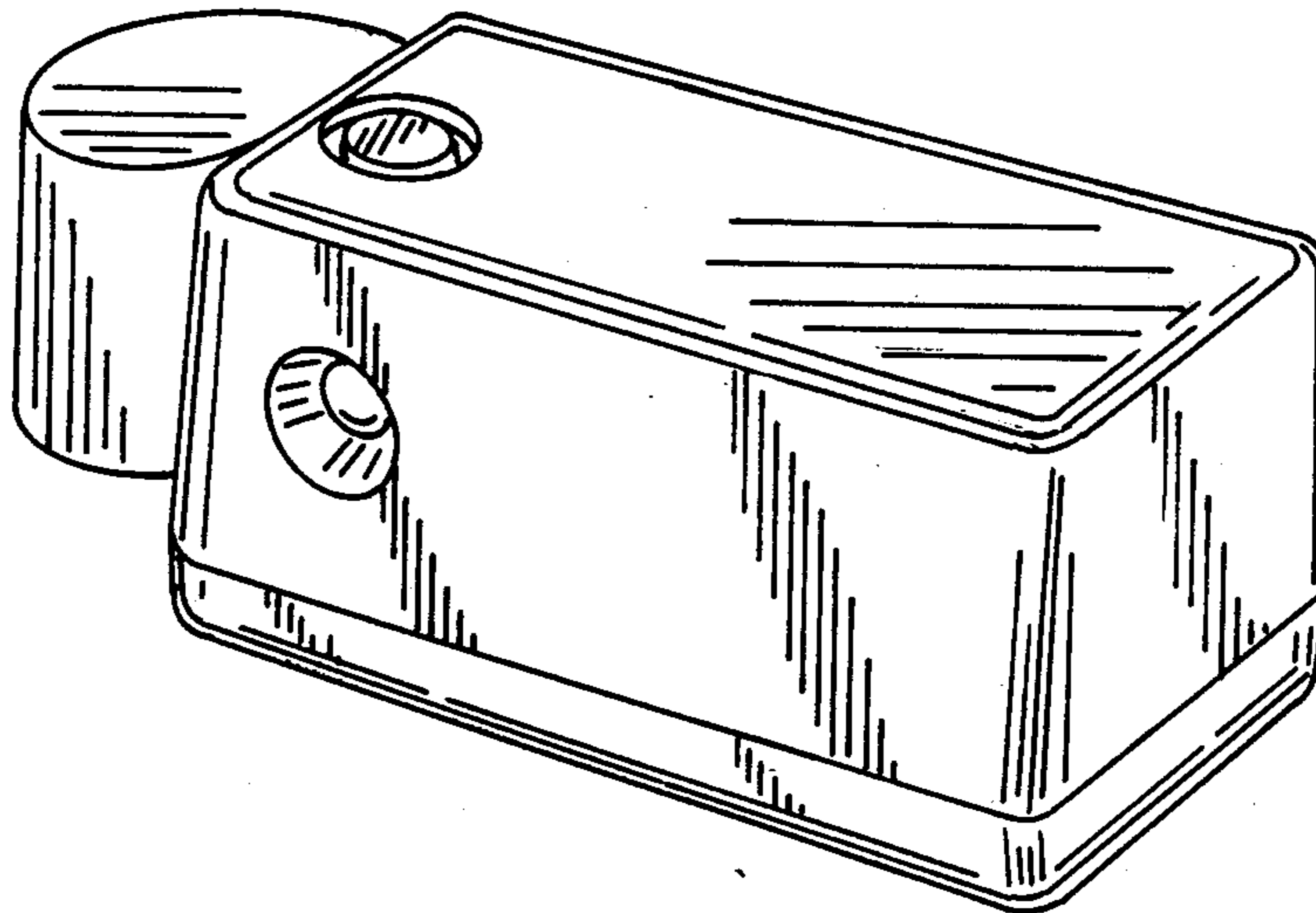


FIG-1-

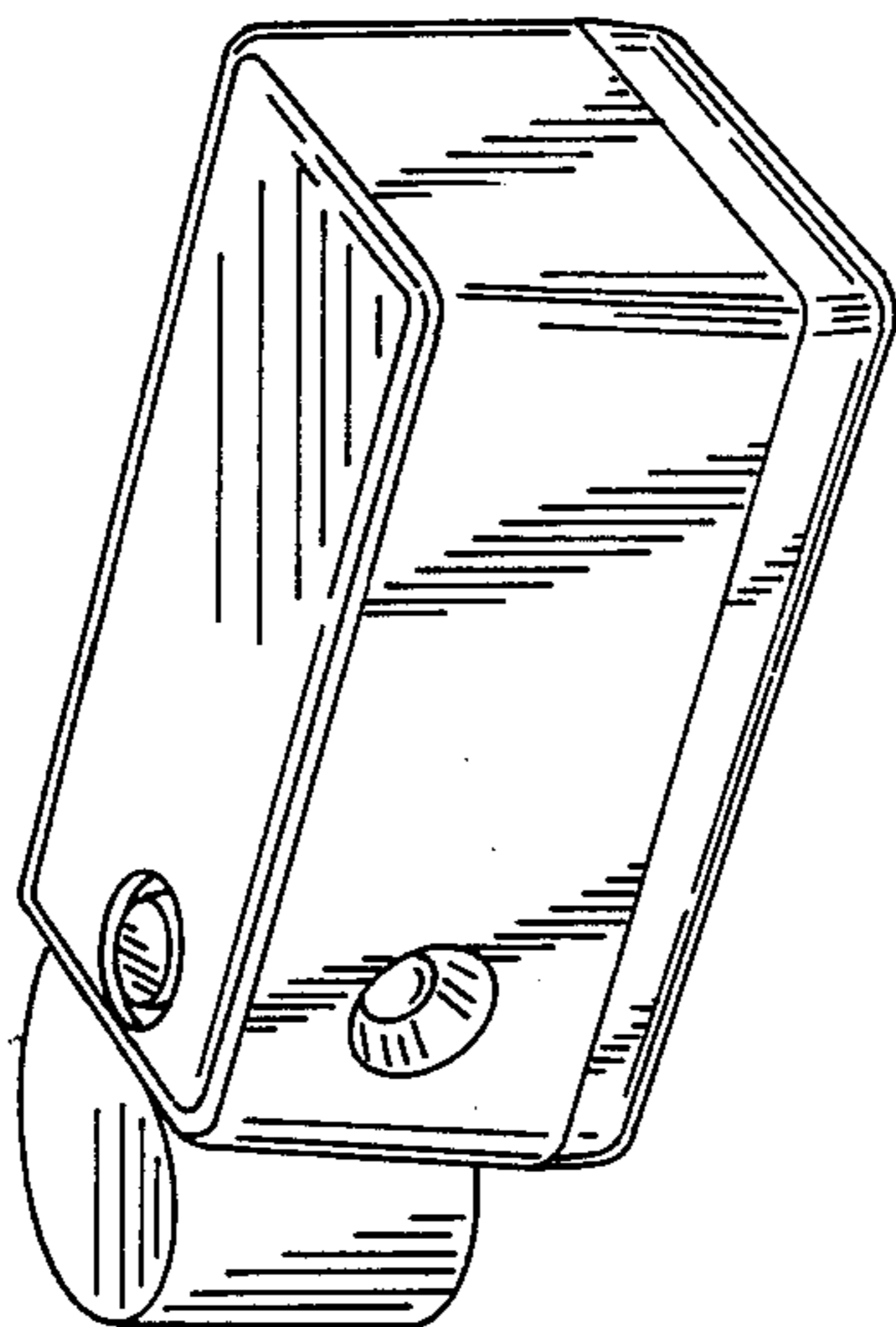


FIG-2-

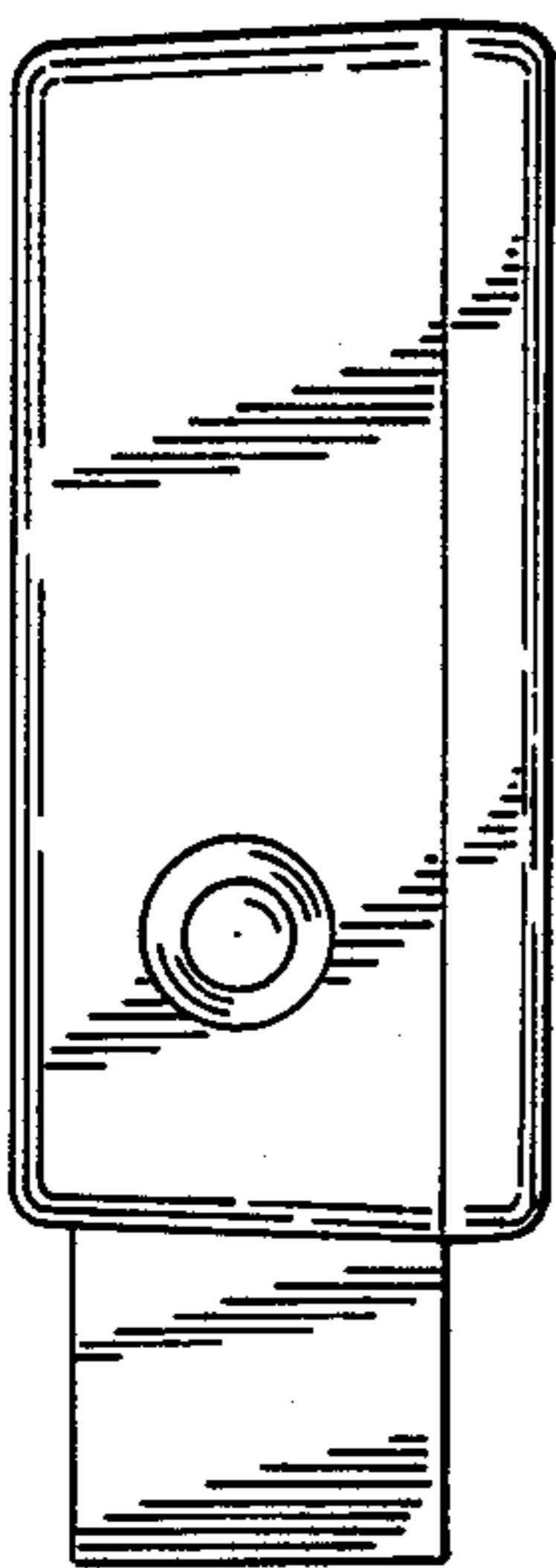


FIG-6-

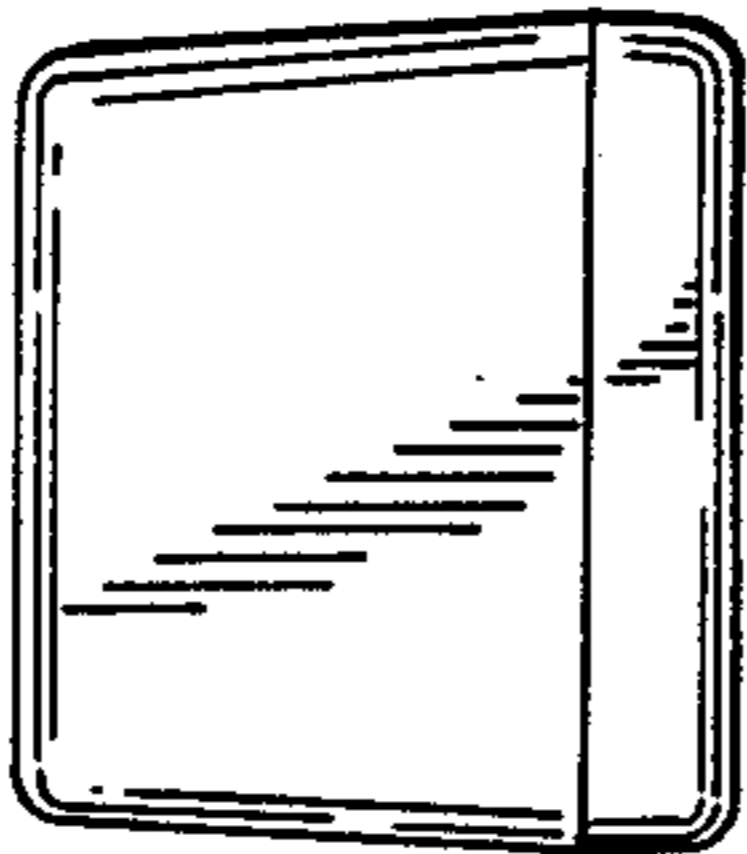


FIG-4-

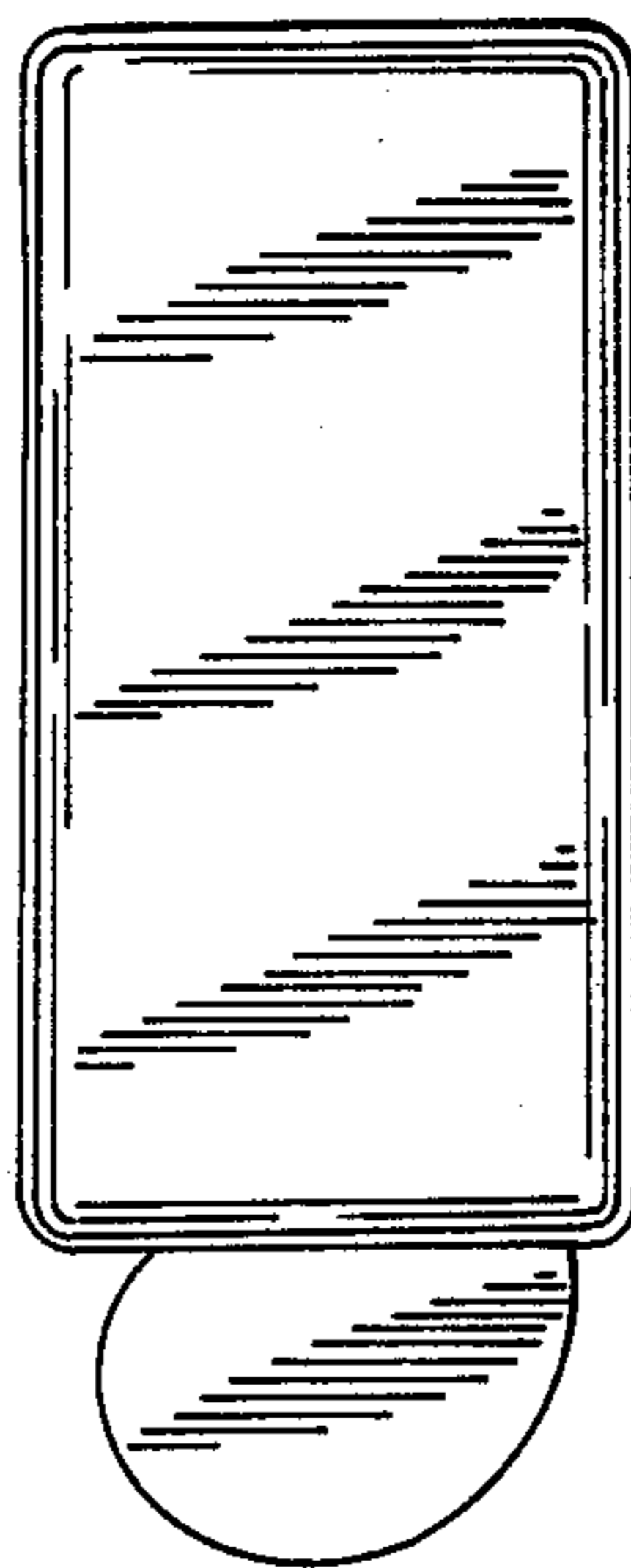


FIG-7-

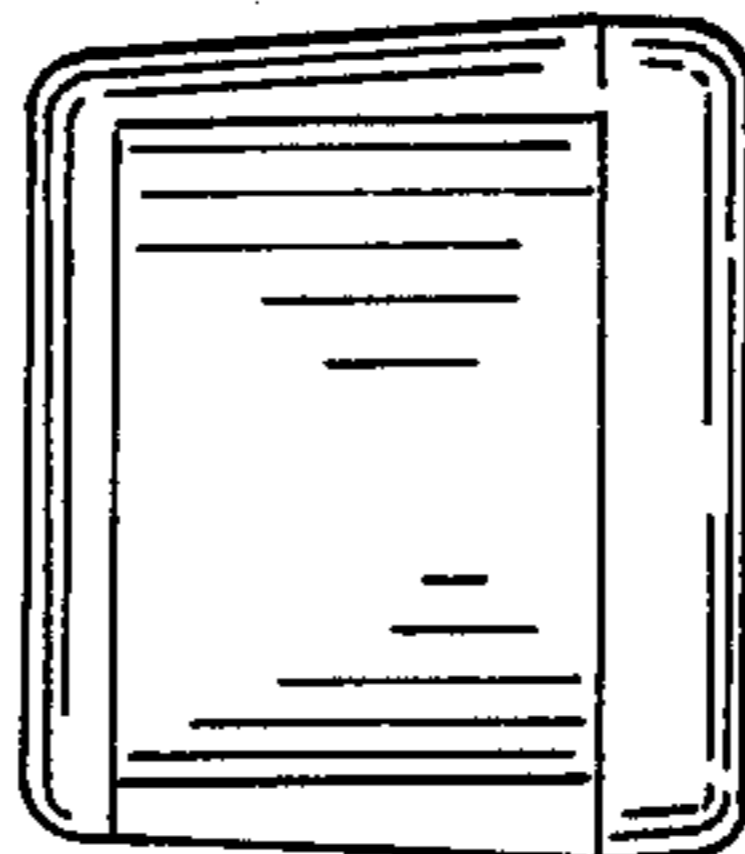


FIG-3-

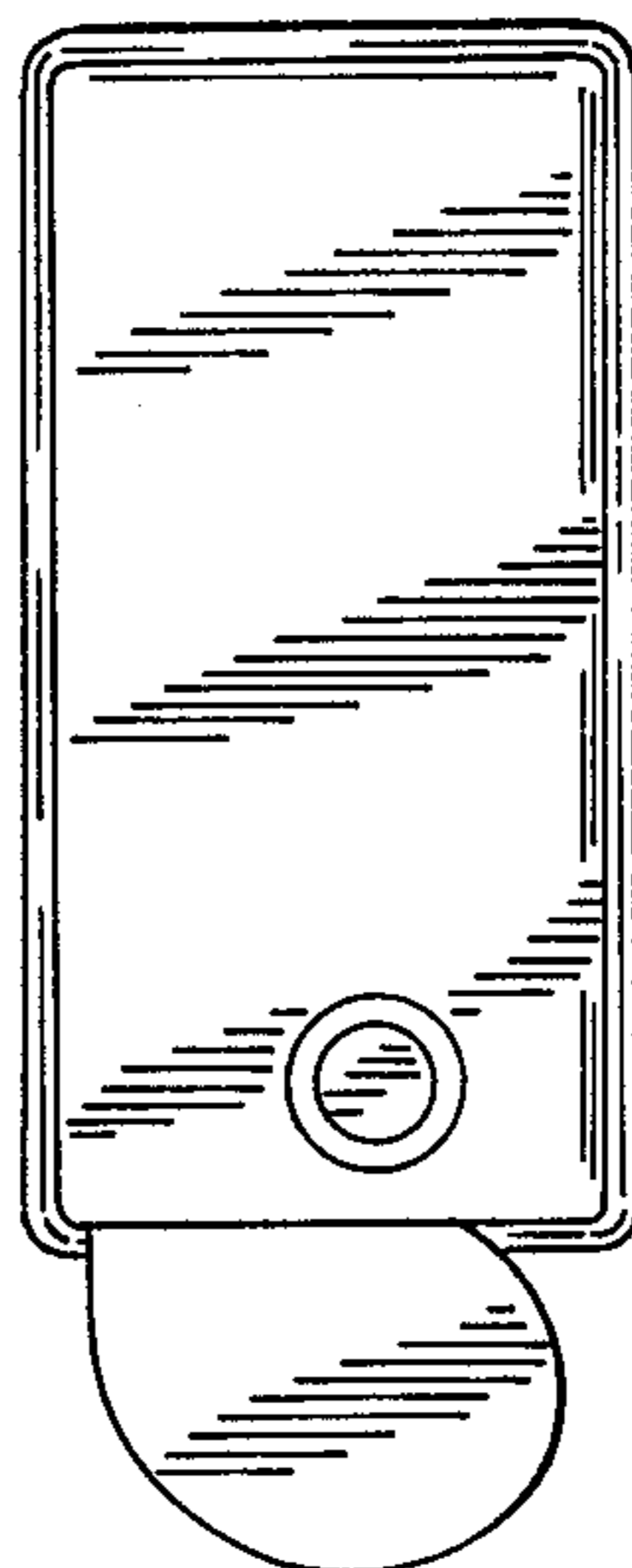


FIG-5-

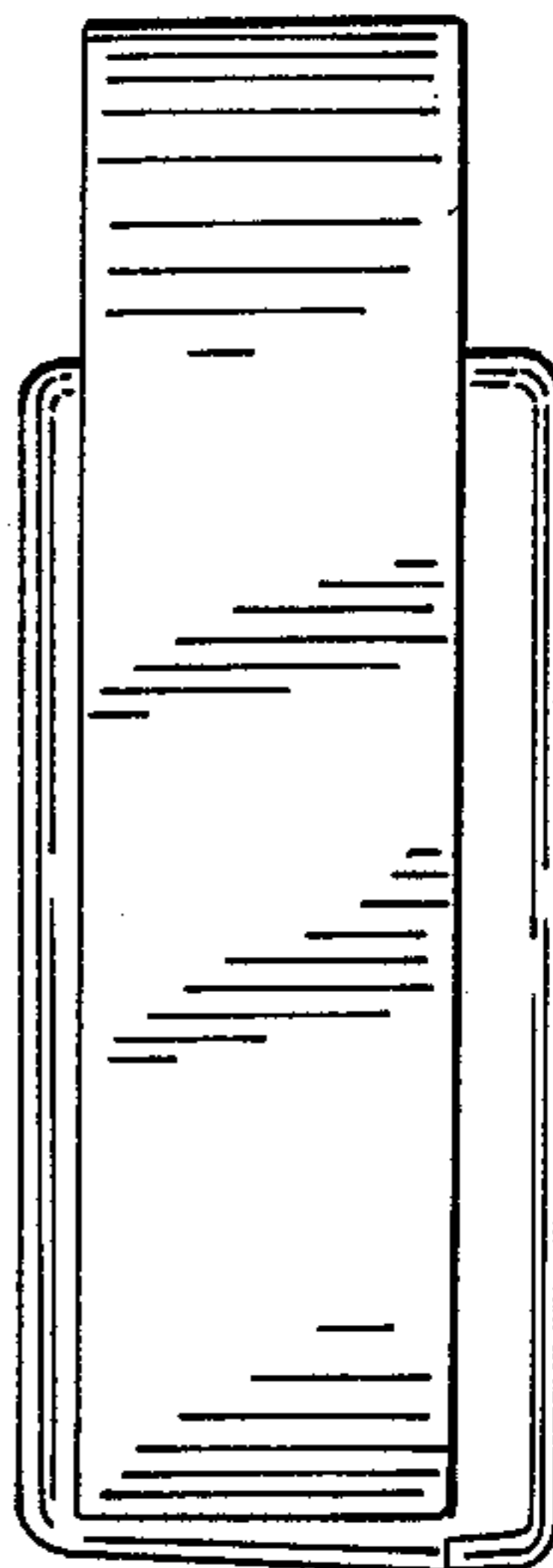
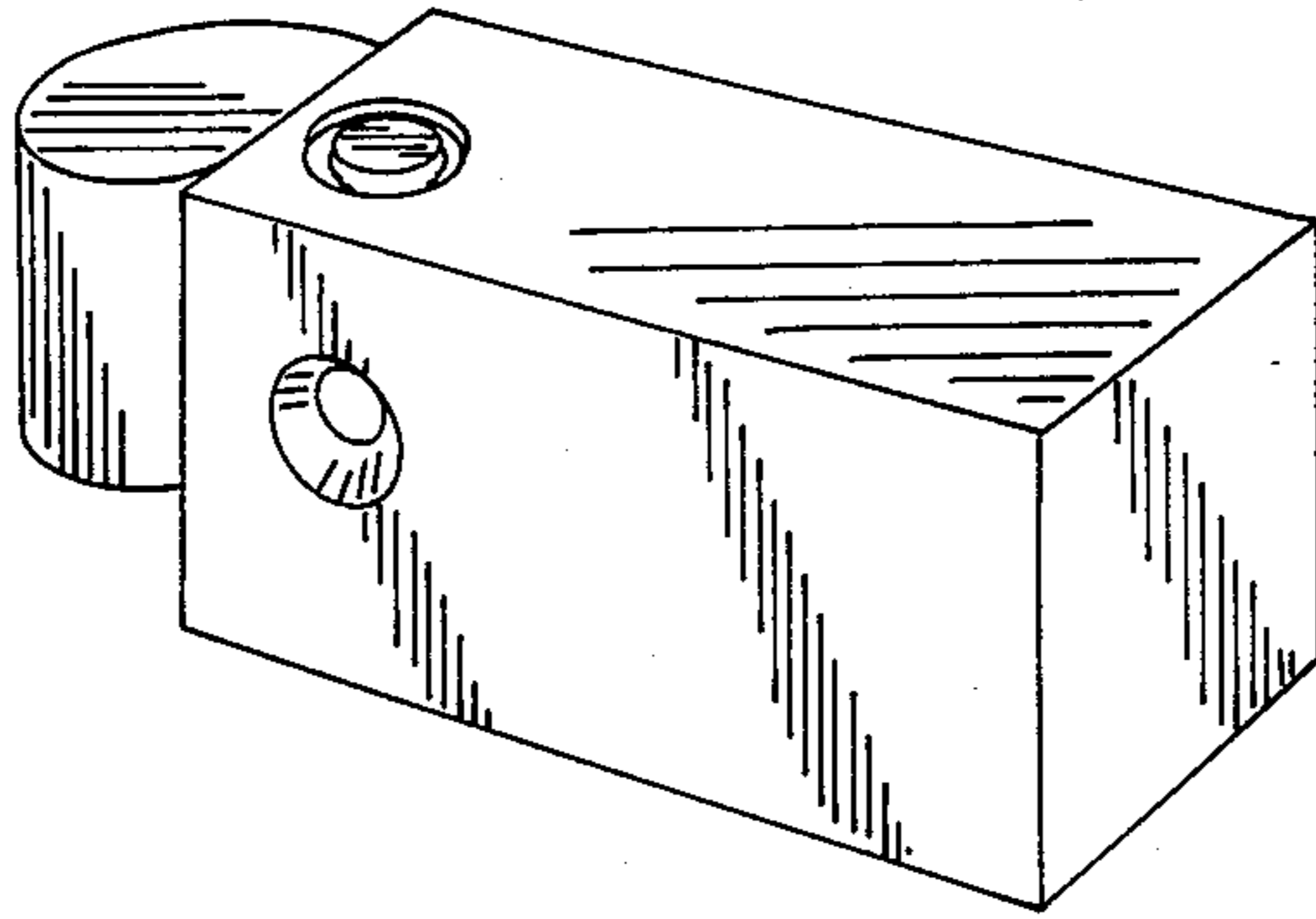


FIG. 8



UNITED STATES PATENT AND TRADEMARK OFFICE  
**CERTIFICATE OF CORRECTION**

PATENT NO. : Des. 306,741  
DATED : March 20, 1990  
INVENTOR(S) : Kwok Y. Chan, Assignor to W. Haking Enterprises  
Limited

It is certified that error appears in the above-identified patent and that said Letters Patent is hereby corrected as shown below:

On the title page: Item [73]  
The Assignee should read "W.Haking Enterprises Limited  
Hong Kong"

Signed and Sealed this  
Twenty-fourth Day of May, 1994

Attest:



BRUCE LEHMAN

Attesting Officer

Commissioner of Patents and Trademarks