

[54] ELECTRONIC GUN SIGHT

[75] Inventors: Joseph W. Nichols, Mehoopany, Pa.; Willis H. Wamsley, Jr., Portland, Oreg.

[73] Assignee: American Advantage Corporation, Portland, Oreg.

[**] Term: 14 Years

[21] Appl. No.: 140,432

[22] Filed: Jan. 4, 1988

[52] U.S. Cl. D16/132; D16/130

[58] Field of Search D16/132, 130; D22/109, D22/110; 33/233, 241, 244, 250, 245, 258; 42/100, 101, 103; 362/110, 113; 356/251, 252

[56] References Cited

U.S. PATENT DOCUMENTS

- 3,880,529 4/1975 Althause et al. 356/251
- 3,897,158 7/1975 Steck, III 356/251

- 3,942,901 3/1976 Ekstrand .
- 3,960,453 6/1976 Svensson et al. 356/252
- 3,963,356 6/1976 Wiklund .
- 4,279,191 7/1981 Johansson .
- 4,402,605 9/1983 Ekstrand .

Primary Examiner—A. Hugo Word
Assistant Examiner—Doris V. Coles
Attorney, Agent, or Firm—Seed and Berry

[57] CLAIM

The ornamental design for an electronic gun sight, as shown and described.

DESCRIPTION

FIG. 1 is a front perspective view of an electronic gun sight showing our new design;
FIG. 2 is a top plan view thereof;
FIG. 3 is a right side elevational view thereof;
FIG. 4 is a front elevational view thereof;
FIG. 5 is a left side elevational view thereof;
FIG. 6 is a rear elevational view thereof;
FIG. 7 is a bottom plan view thereof.

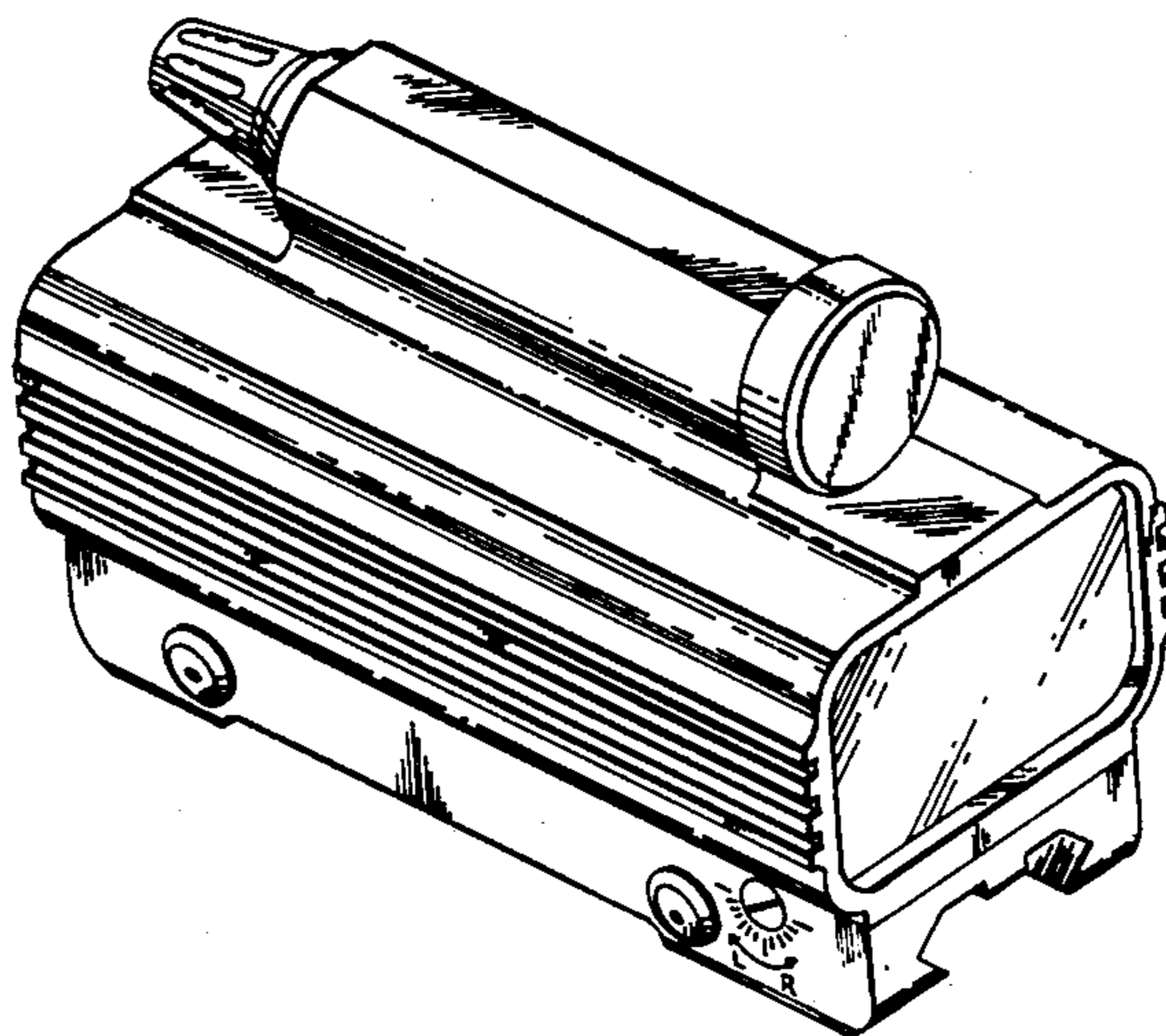


FIG. 1

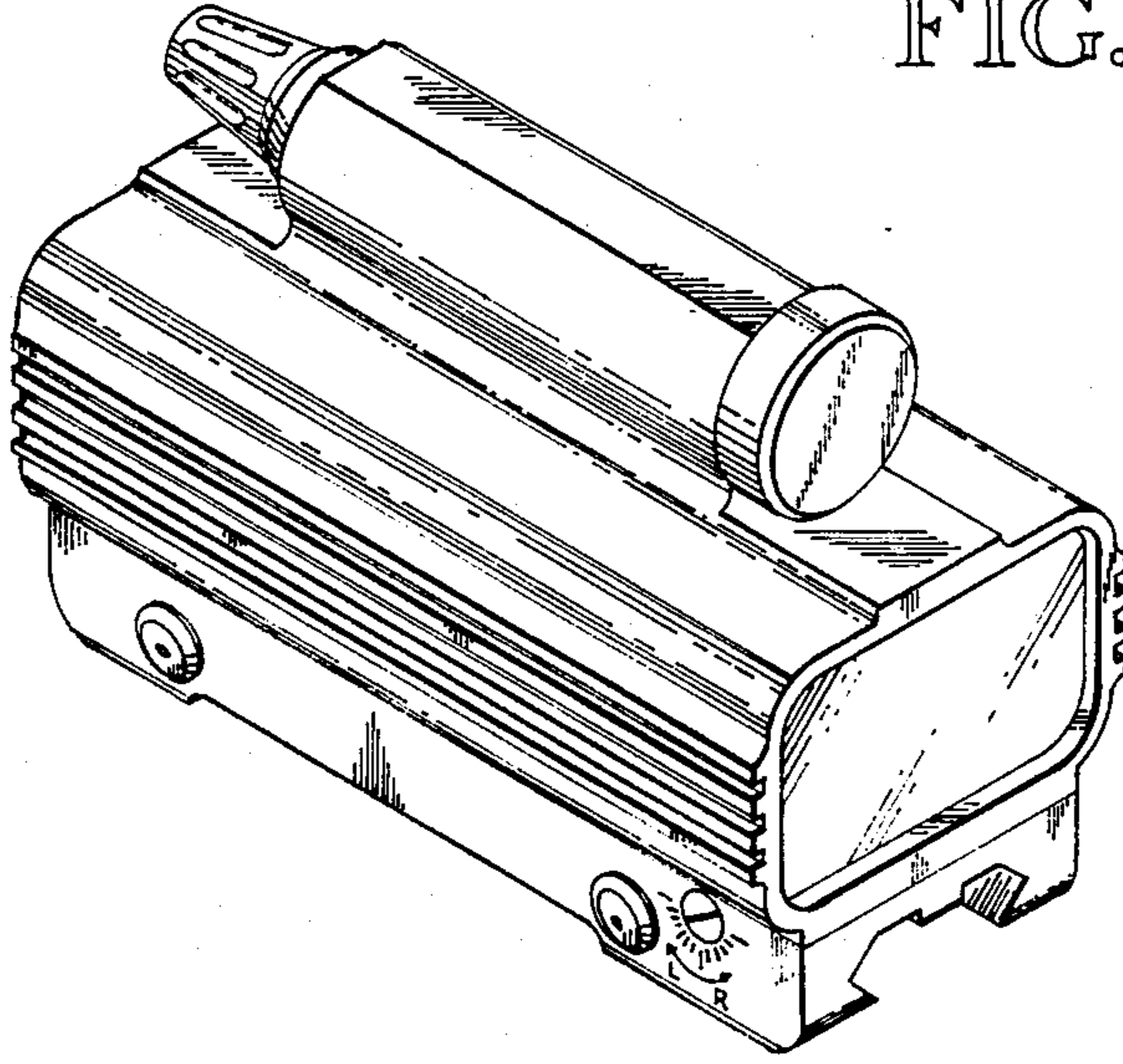


FIG. 2

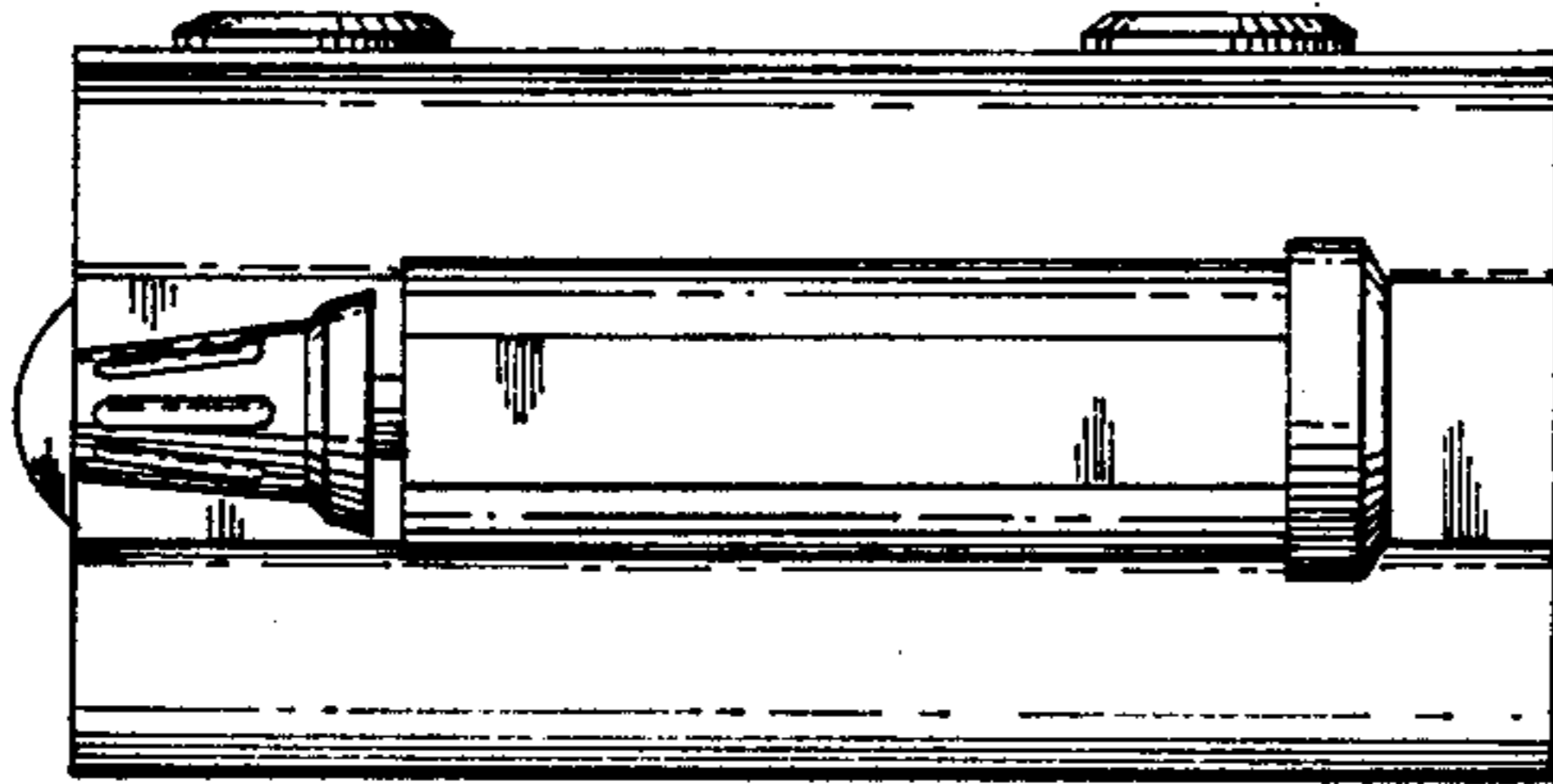


FIG. 3

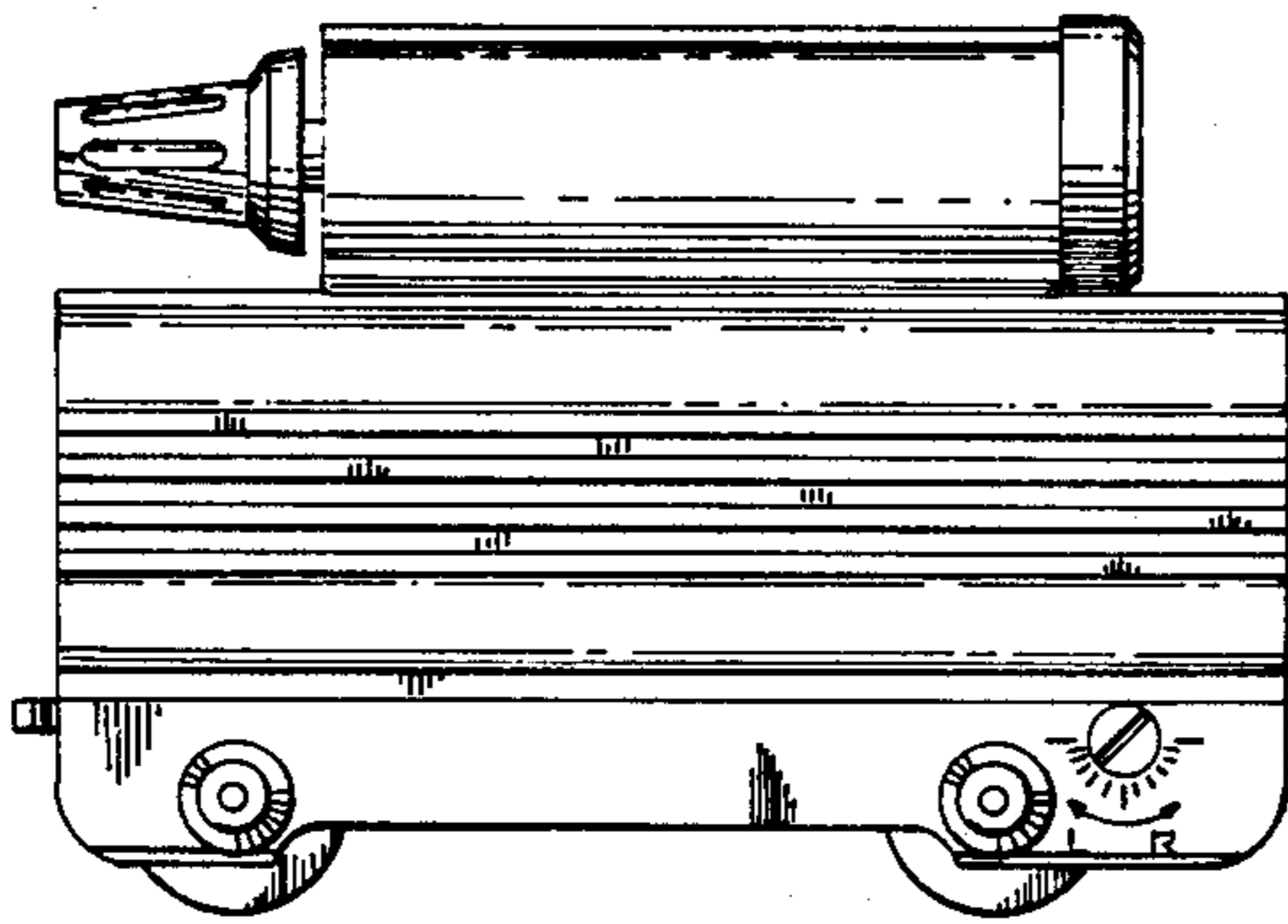
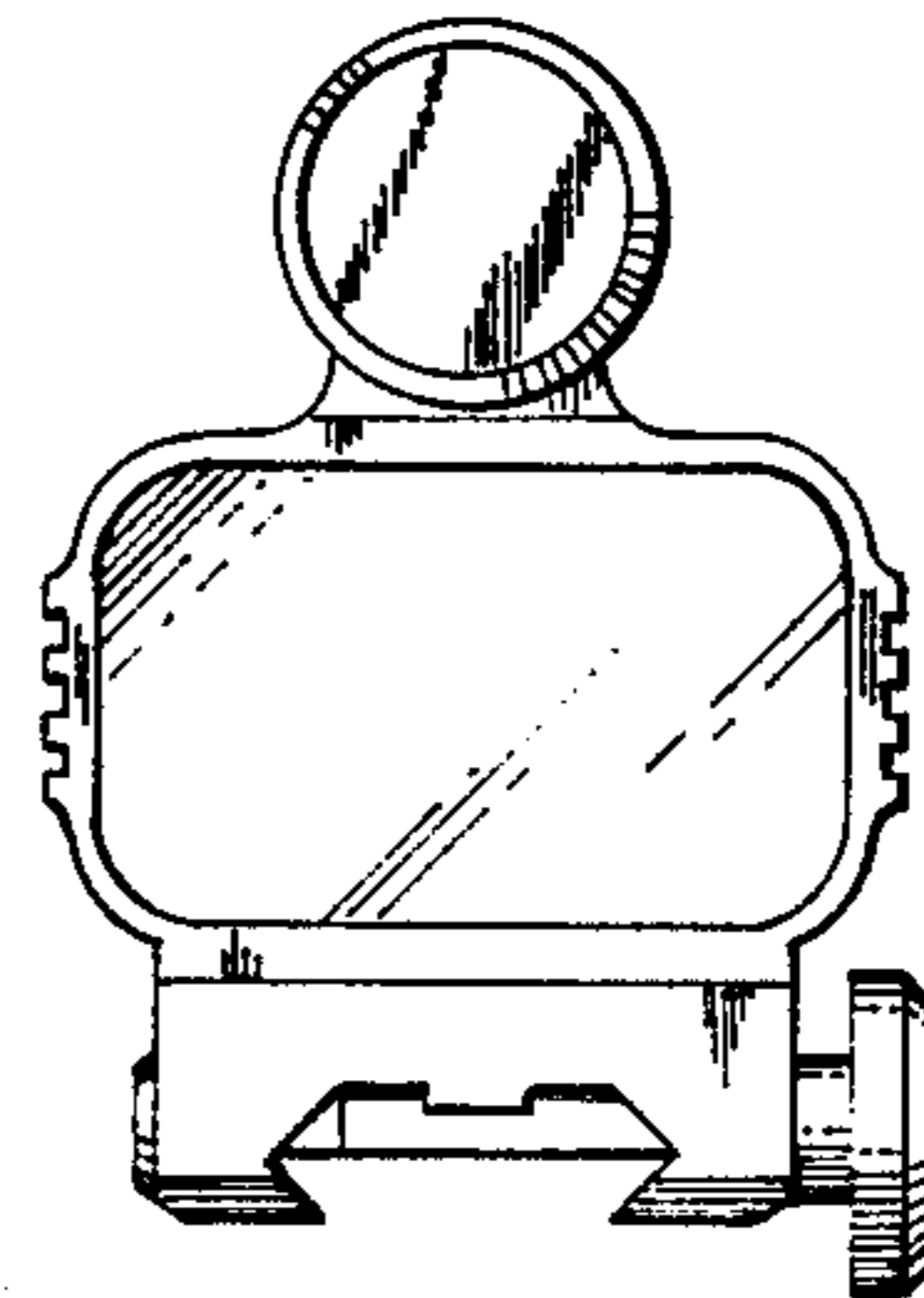


FIG. 4



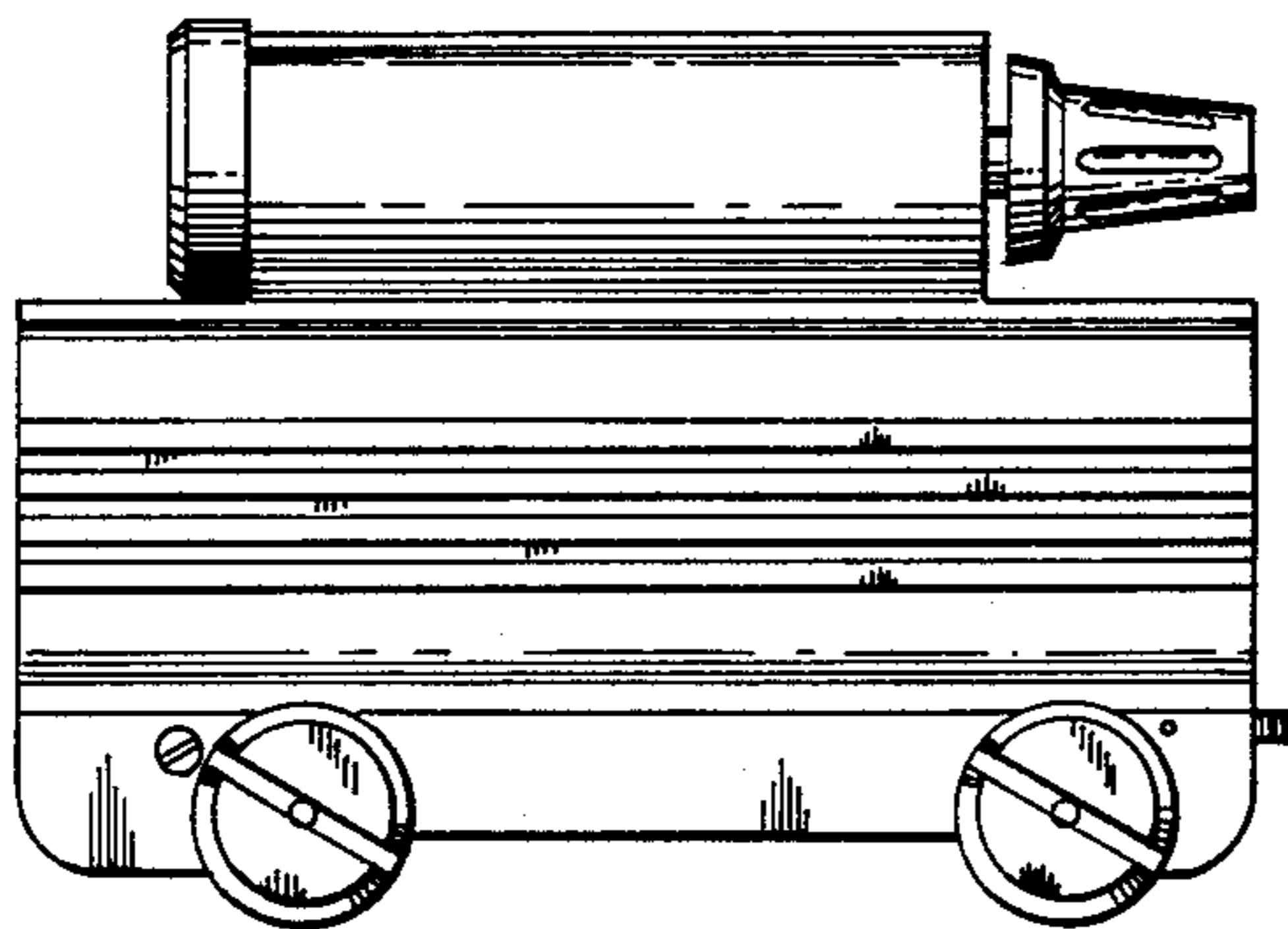


FIG. 5

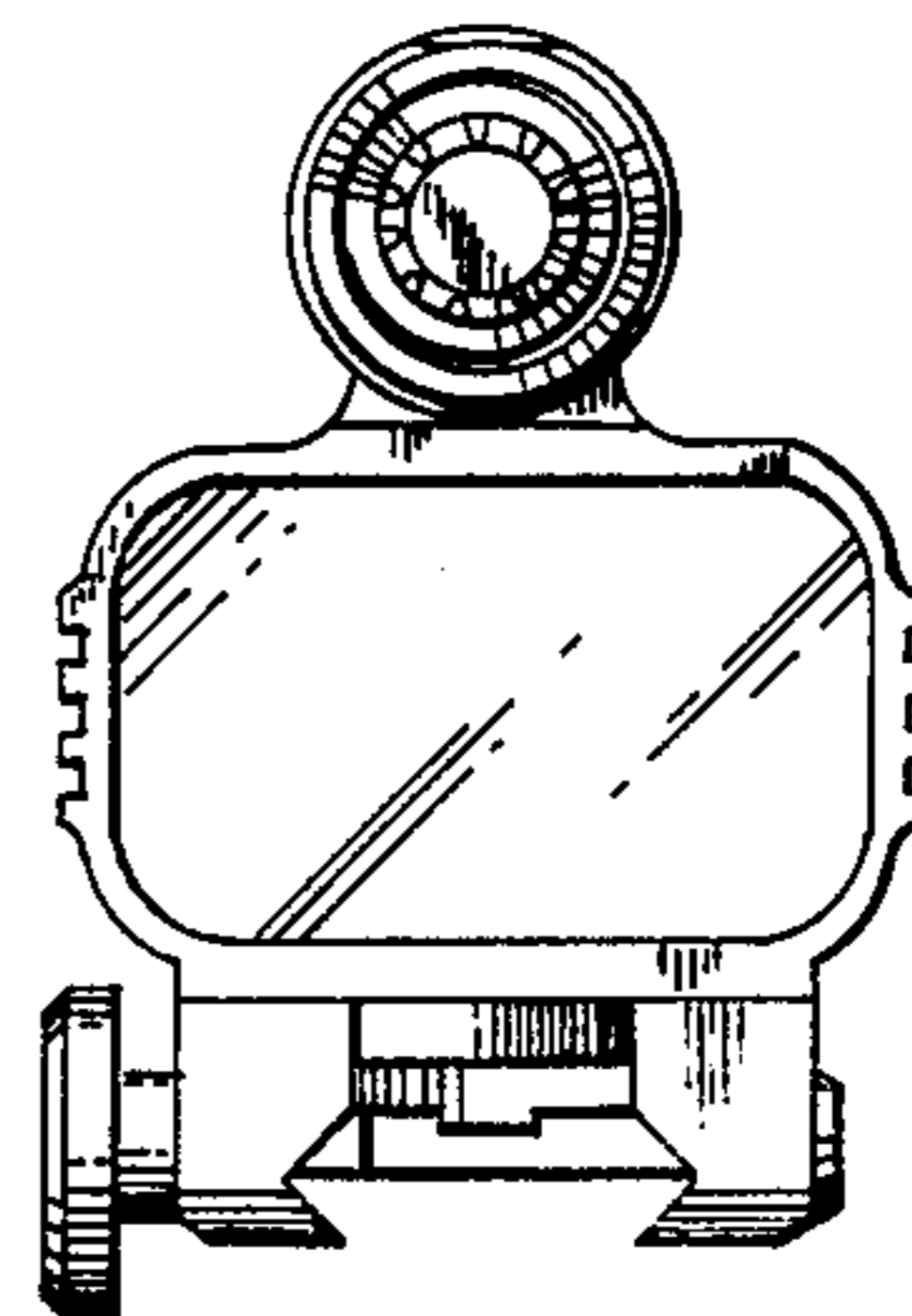


FIG. 6

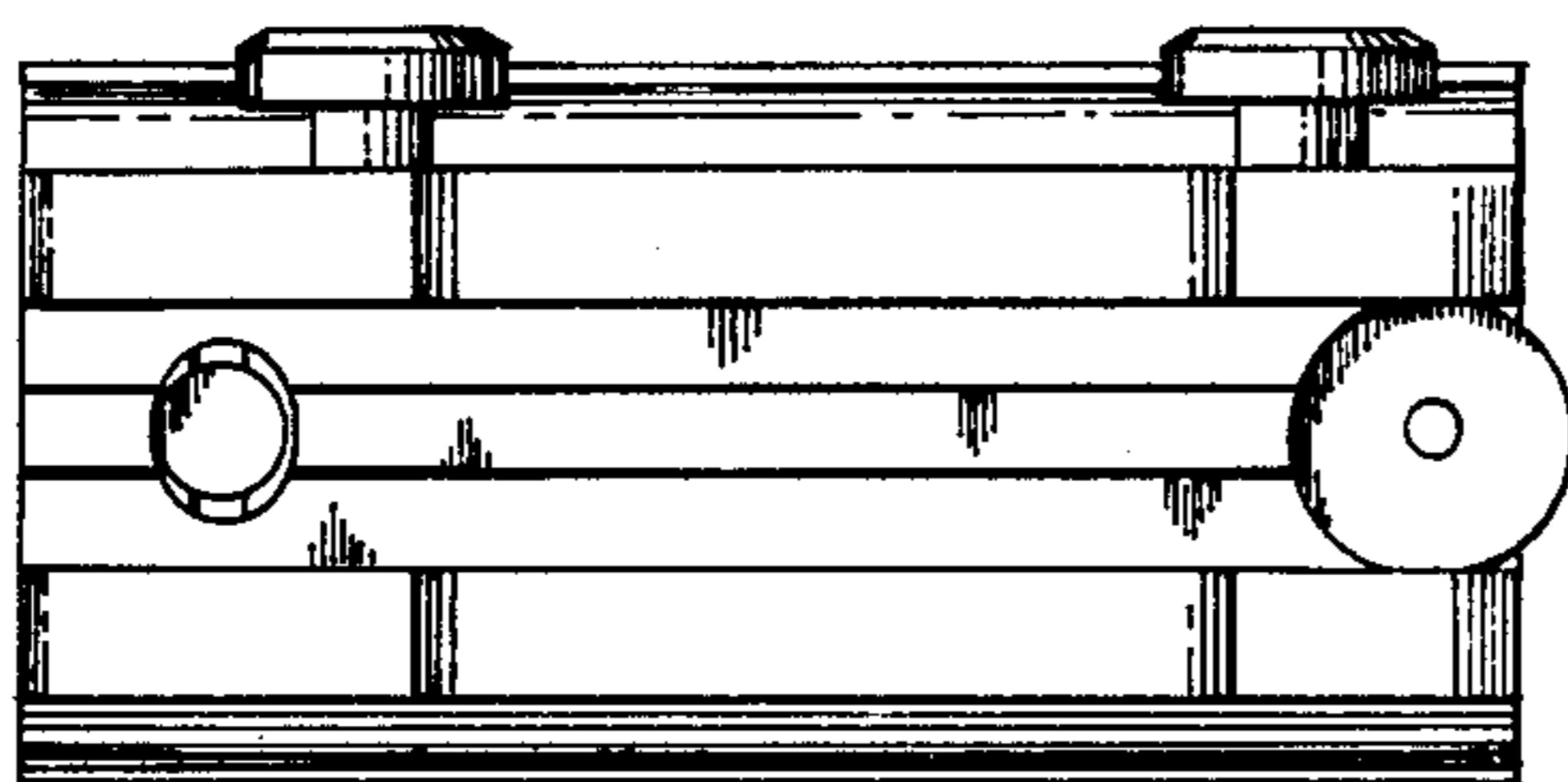


FIG. 7