

[54] WINDROW INVERTER

[75] Inventors: Robert M. VanGinhoven, Lancaster; Philip J. Ehrhart, Narvon; Bryant F. Webb, Ephrata; Kenneth R. Underhill, Strasburg, all of Pa.

[73] Assignee: Ford New Holland, Inc., New Holland, Pa.

[\*\*] Term: 14 Years

[21] Appl. No.: 100,133

[22] Filed: Sep. 23, 1987

[52] U.S. Cl. .... D15/27

[58] Field of Search ..... D15/10, 27, 26; 56/14.4, 192, 370, 372, DIG. 1

[56] References Cited

U.S. PATENT DOCUMENTS

- D. 211,958 8/1968 Long et al. .... D15/27
- D. 261,889 11/1981 Cicci et al. .... D15/27
- 2,390,375 12/1945 Kucera .
- 2,391,427 12/1945 Kucera .
- 2,529,577 11/1950 Schempp et al. .
- 2,609,651 9/1952 Cymara .
- 2,636,335 4/1953 Whitney .
- 2,761,270 9/1956 Blaser et al. .
- 2,815,636 12/1957 Reilly ..... 56/192
- 3,496,713 2/1970 Reinhardt et al. .

- 3,570,231 3/1971 McCary et al. .
- 3,884,022 5/1975 Landolt .
- 4,471,605 9/1984 Ender, Sr. .
- 4,738,092 4/1988 Jennings ..... 56/372
- 4,748,803 6/1988 MacMaster et al. .... 56/372
- 4,793,125 12/1988 Ehrhart et al. .... 56/370
- 4,793,129 12/1988 Ehrhart et al. .... 56/370

FOREIGN PATENT DOCUMENTS

69059 9/1982 European Pat. Off. .

OTHER PUBLICATIONS

Pequea Machine Company, Haymaker Model 466, brochure.

Primary Examiner—Charles A. Rademaker

Assistant Examiner—Sandra Morris

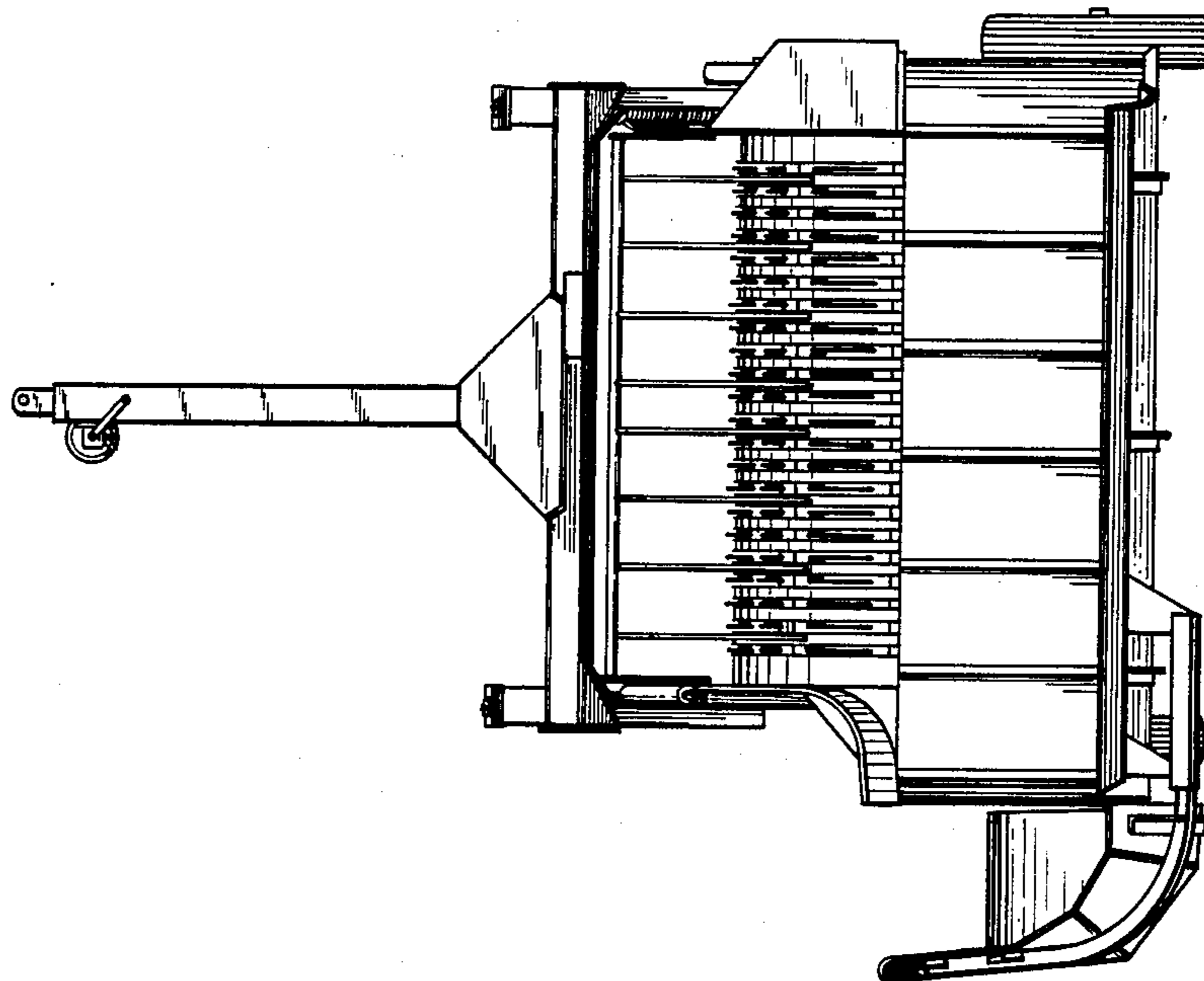
Attorney, Agent, or Firm—Larry W. Miller; Frank A. Seemar; Darrell F. Marquette

[57] CLAIM

The ornamental design for windrow inverter, as shown.

DESCRIPTION

FIG. 1 is a top plan view of a windrow inverter, showing our new design;  
 FIG. 2 is a front elevational view thereof;  
 FIG. 3 is a rear elevational view thereof;  
 FIG. 4 is a right side elevational view thereof;  
 FIG. 5 is a left side elevational view thereof.



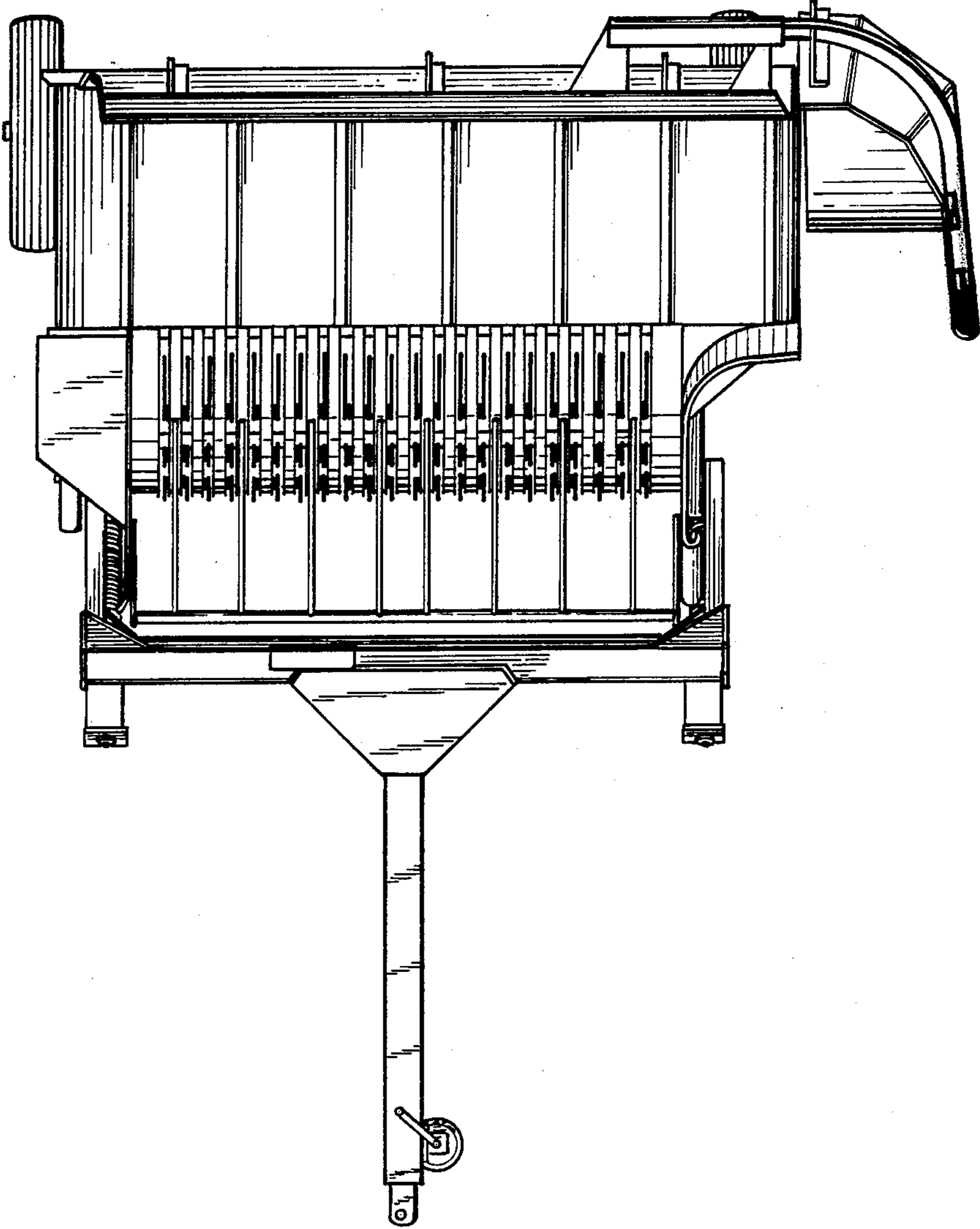
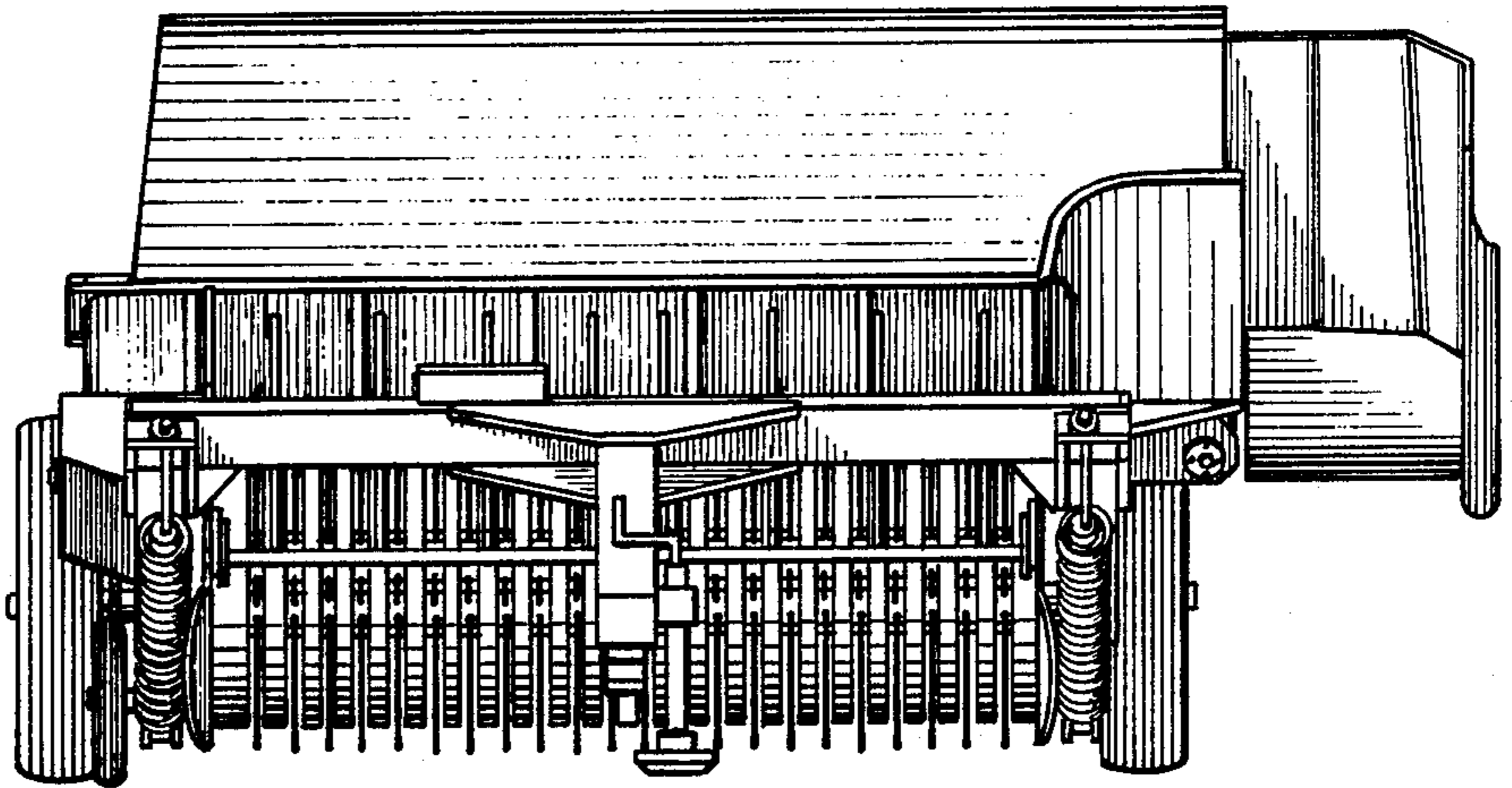
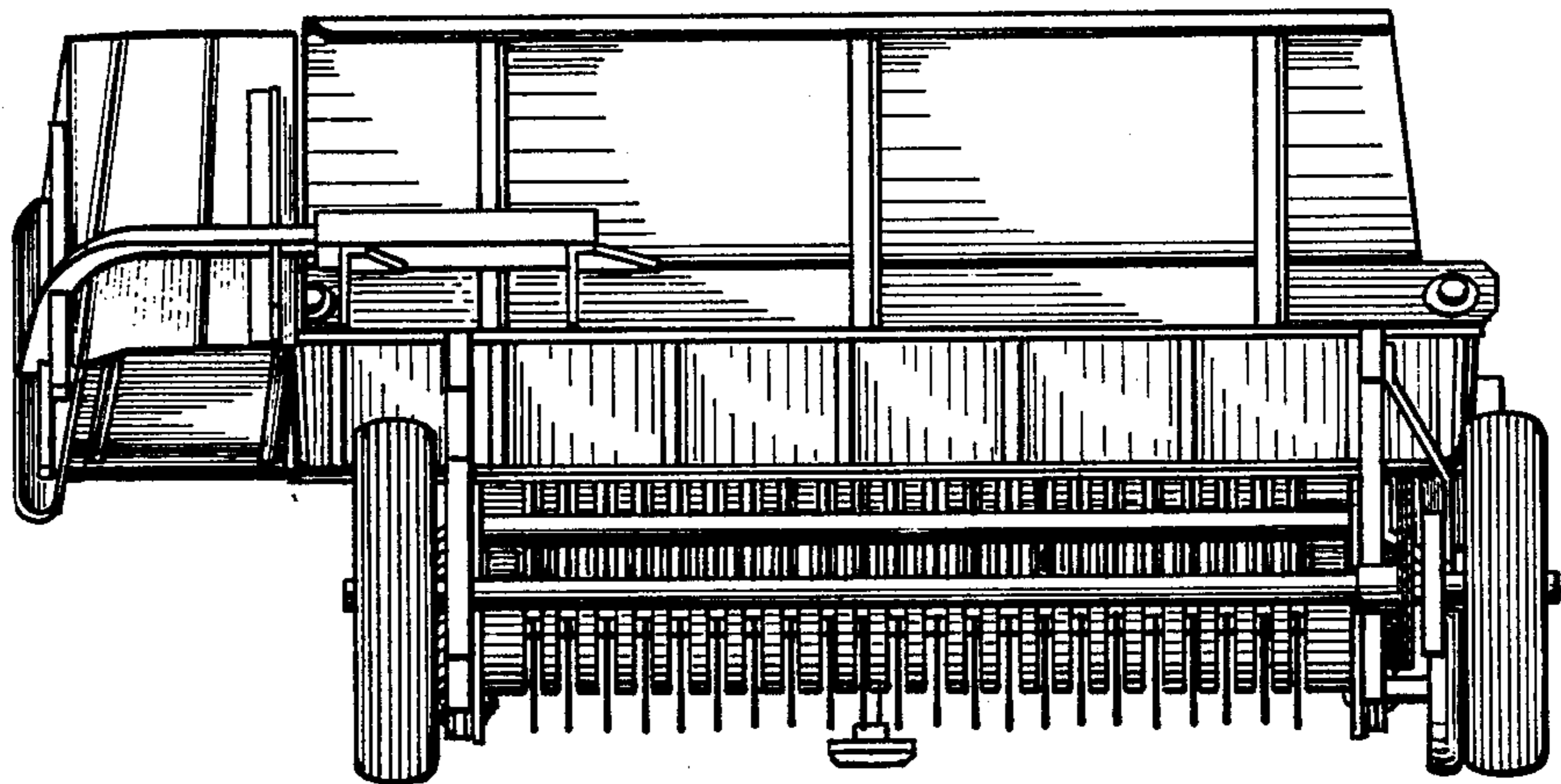


Fig. 1

*Fig. 2*



*Fig. 3*



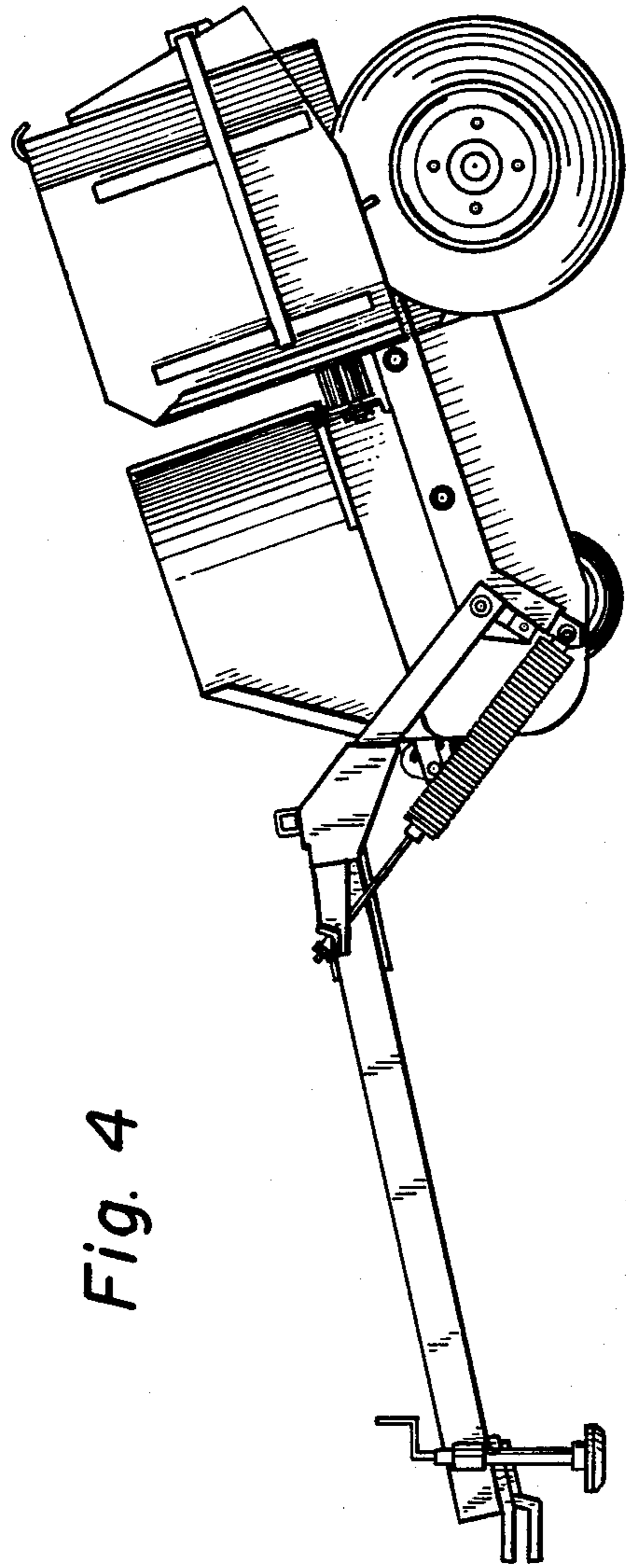


Fig. 4

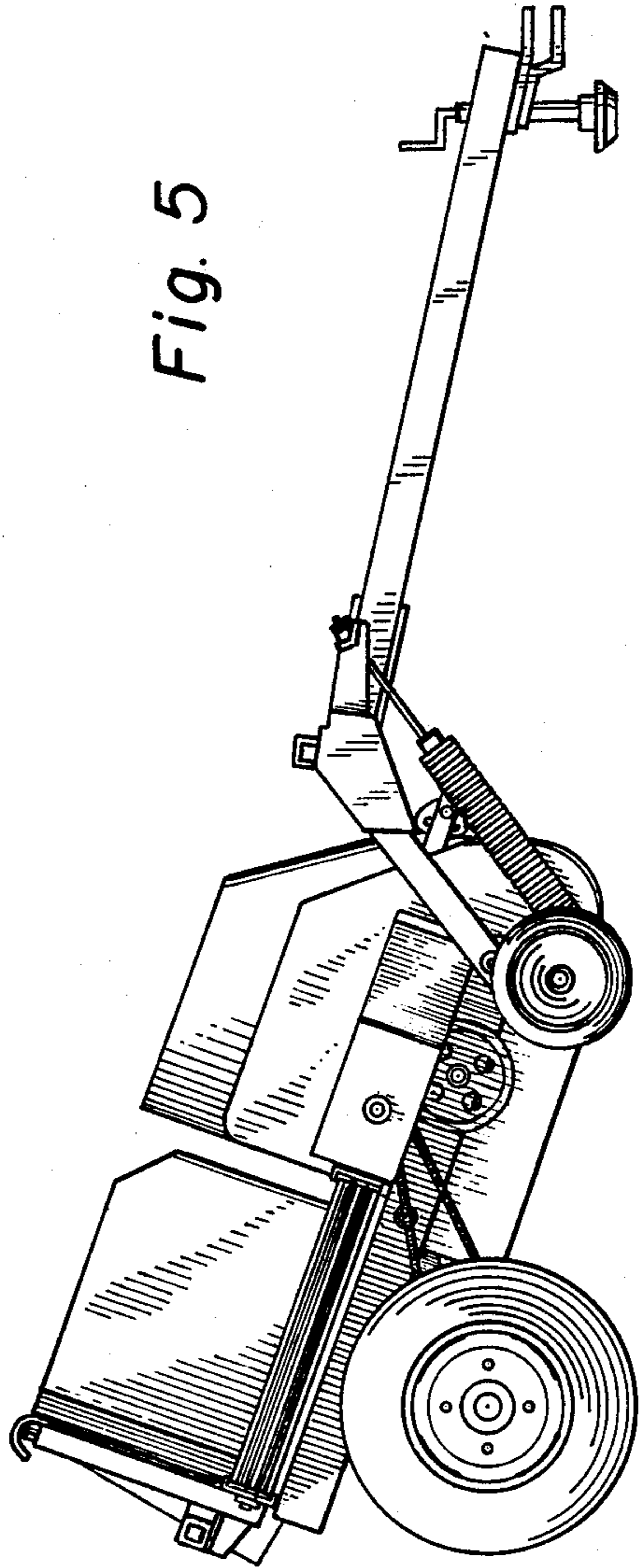


Fig. 5