

United States Patent [19]

Ziaylek et al.

[11] Patent Number: Des. 306,736

[45] Date of Patent: ** Mar. 20, 1990

[54] JET LINE PUMP

[76] Inventors: Michael P. Ziaylek; Theodore Ziaylek, Jr., both of 140 Riverview Dr., Yardley, Pa. 19067

[**] Term: 14 Years

[21] Appl. No.: 36,813

[22] Filed: Apr. 10, 1987

[52] U.S. Cl. D15/7

[58] Field of Search D15/7, 9; 417/65, 76, 417/87-88, 151, 181

[56] References Cited

U.S. PATENT DOCUMENTS

D. 229,235	11/1973	Bunch	D15/7
2,741,997	4/1956	Parker	417/181
3,043,104	7/1962	Maguus, Jr.	417/88 X
4,597,716	7/1986	Evenson	417/181

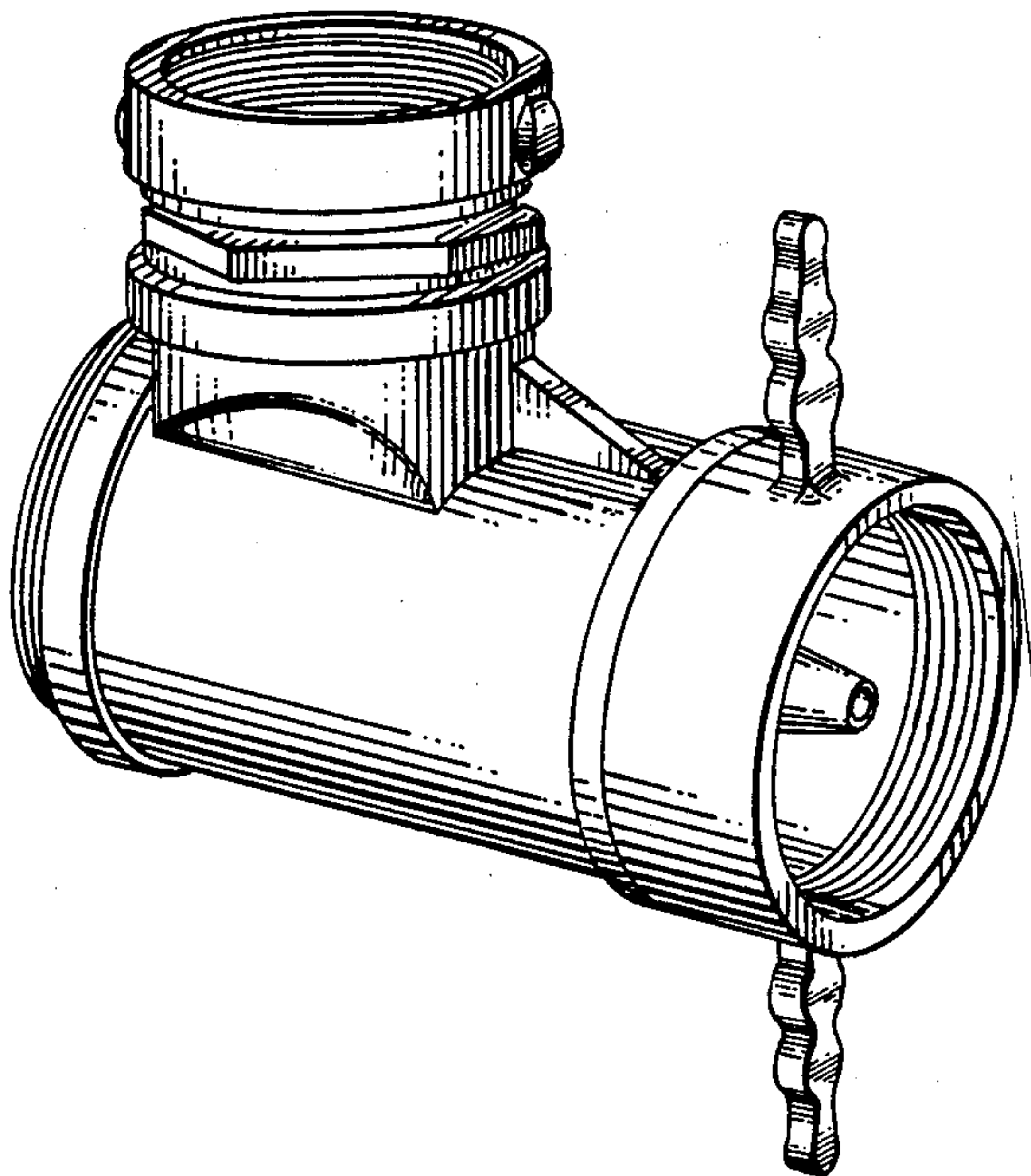
Primary Examiner—Wallace R. Burke
Assistant Examiner—Brian N. Vinson
Attorney, Agent, or Firm—Sperry, Zoda & Kane

[57] CLAIM

The ornamental design for a jet line pump, as shown.

DESCRIPTION

FIG. 1 is a top, front and right side perspective view of a jet line pump showing our new design; FIG. 2 is a left side elevational view thereof; and FIG. 3 is a bottom plan view thereof.



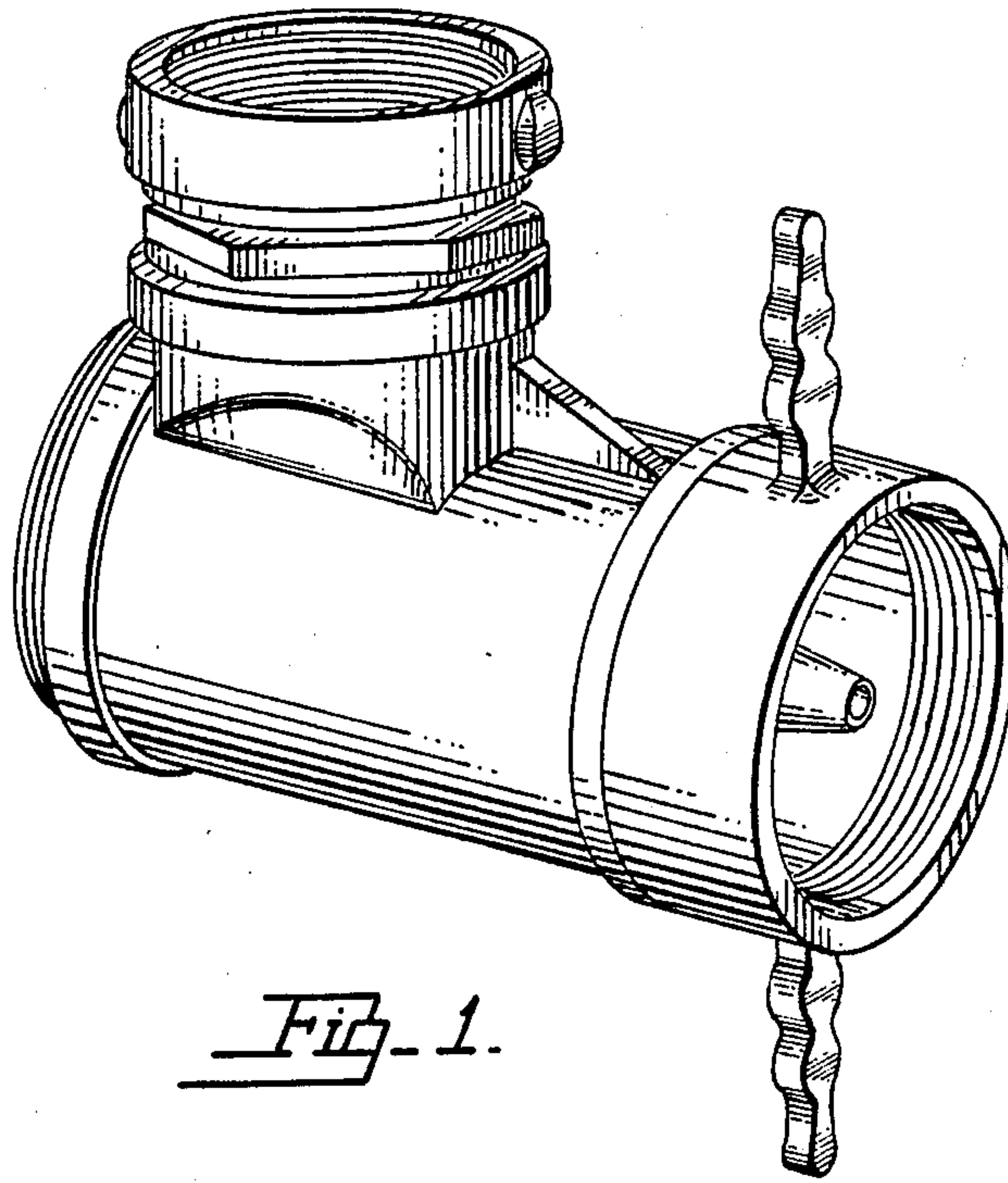


Fig. 1.

Fig. 2.

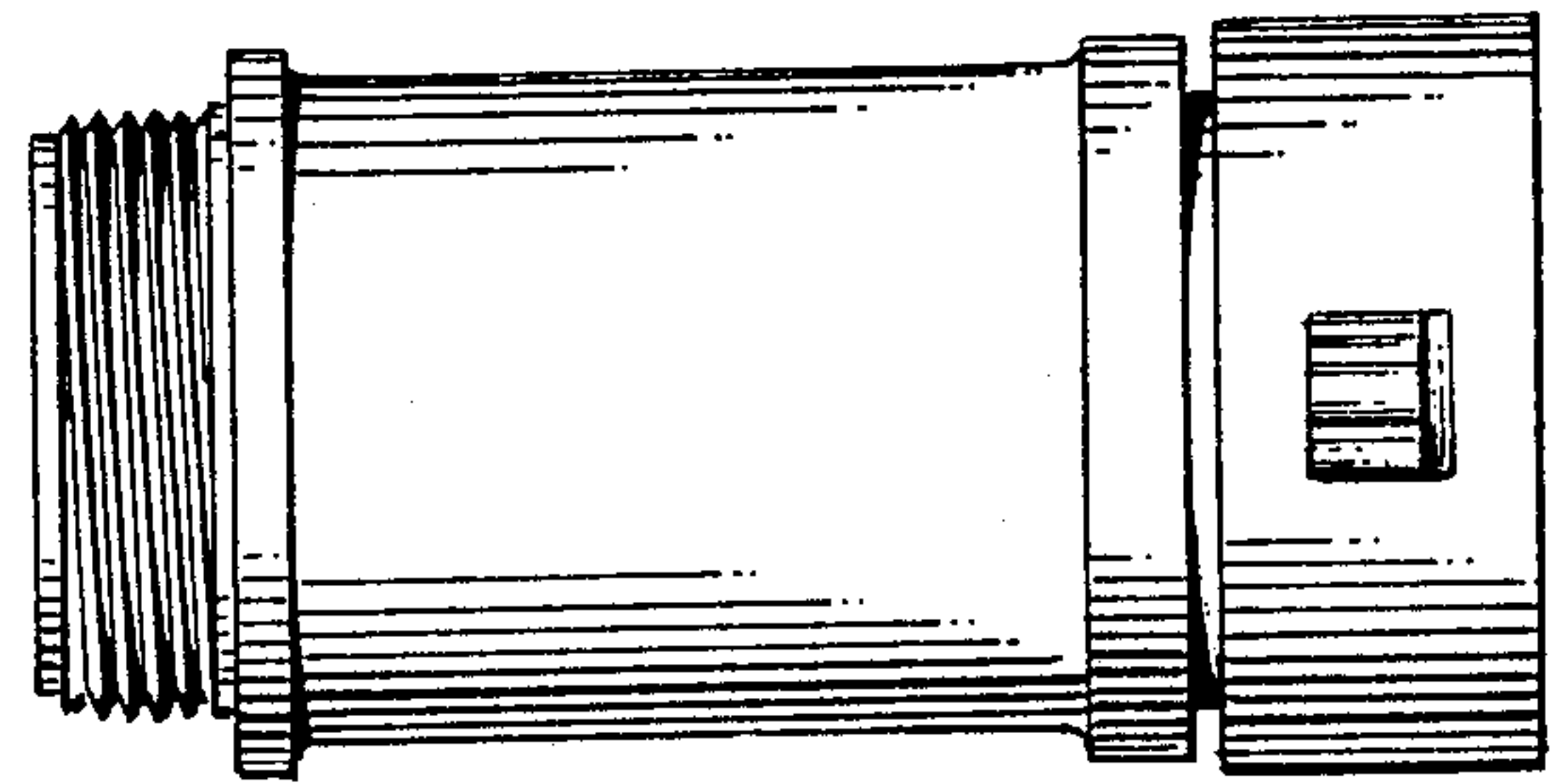
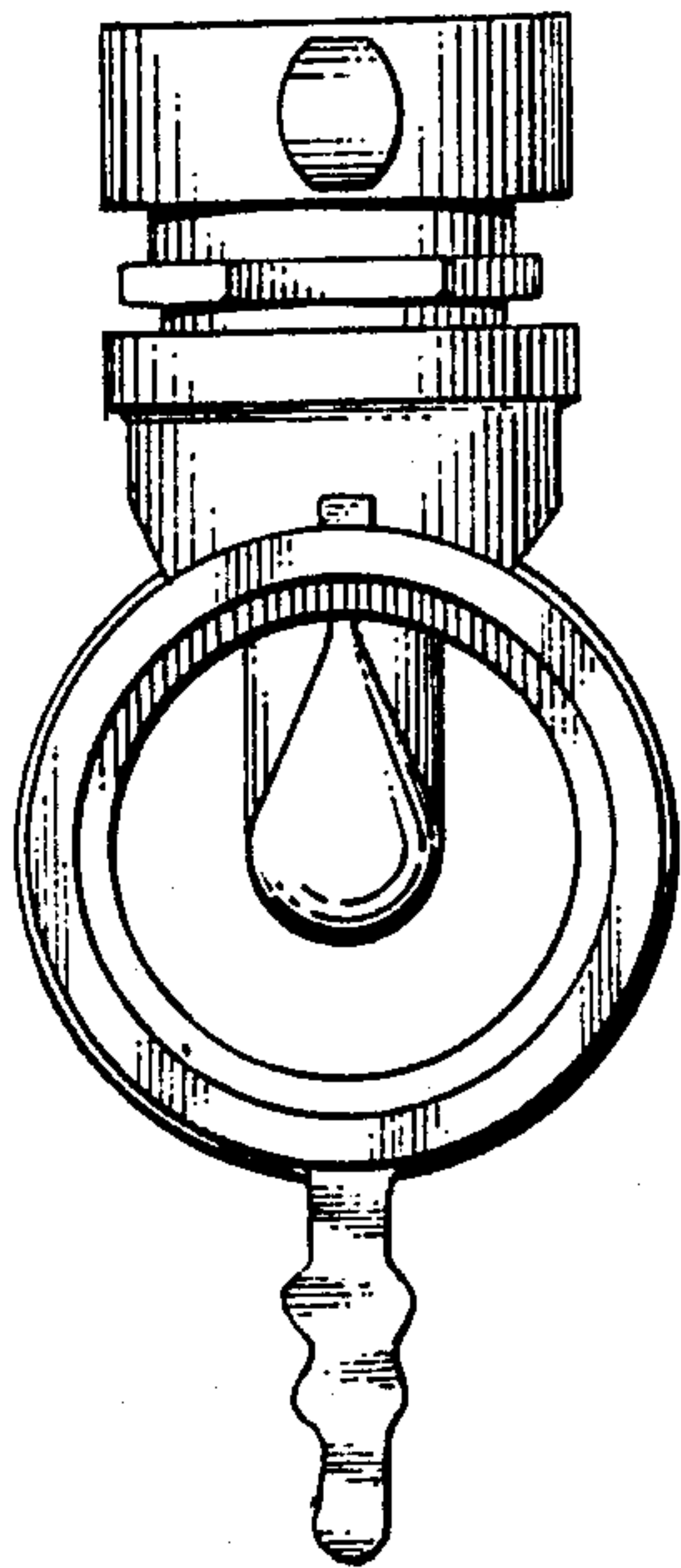


Fig. 3.

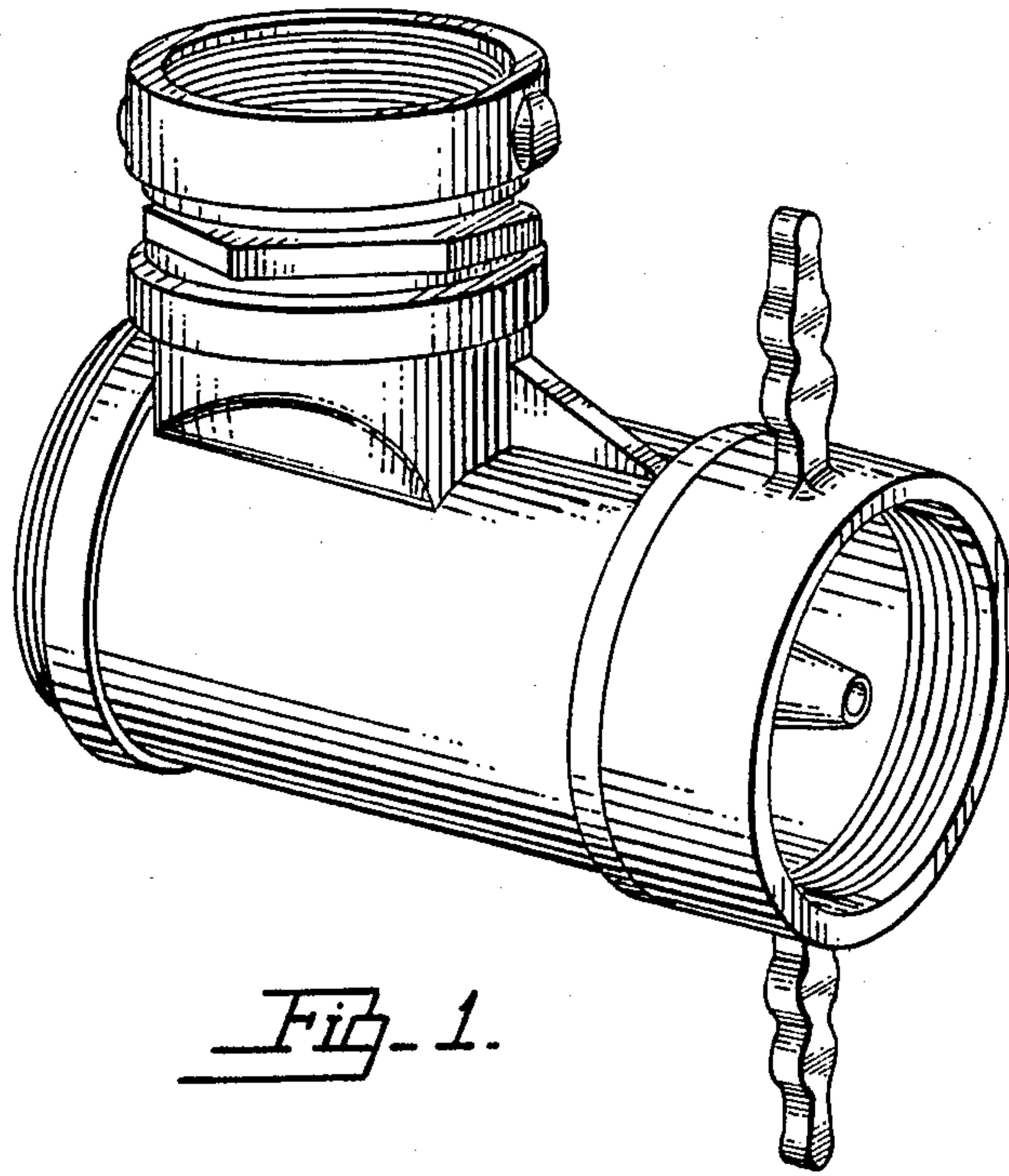


Fig. 1.

Fig. 2.

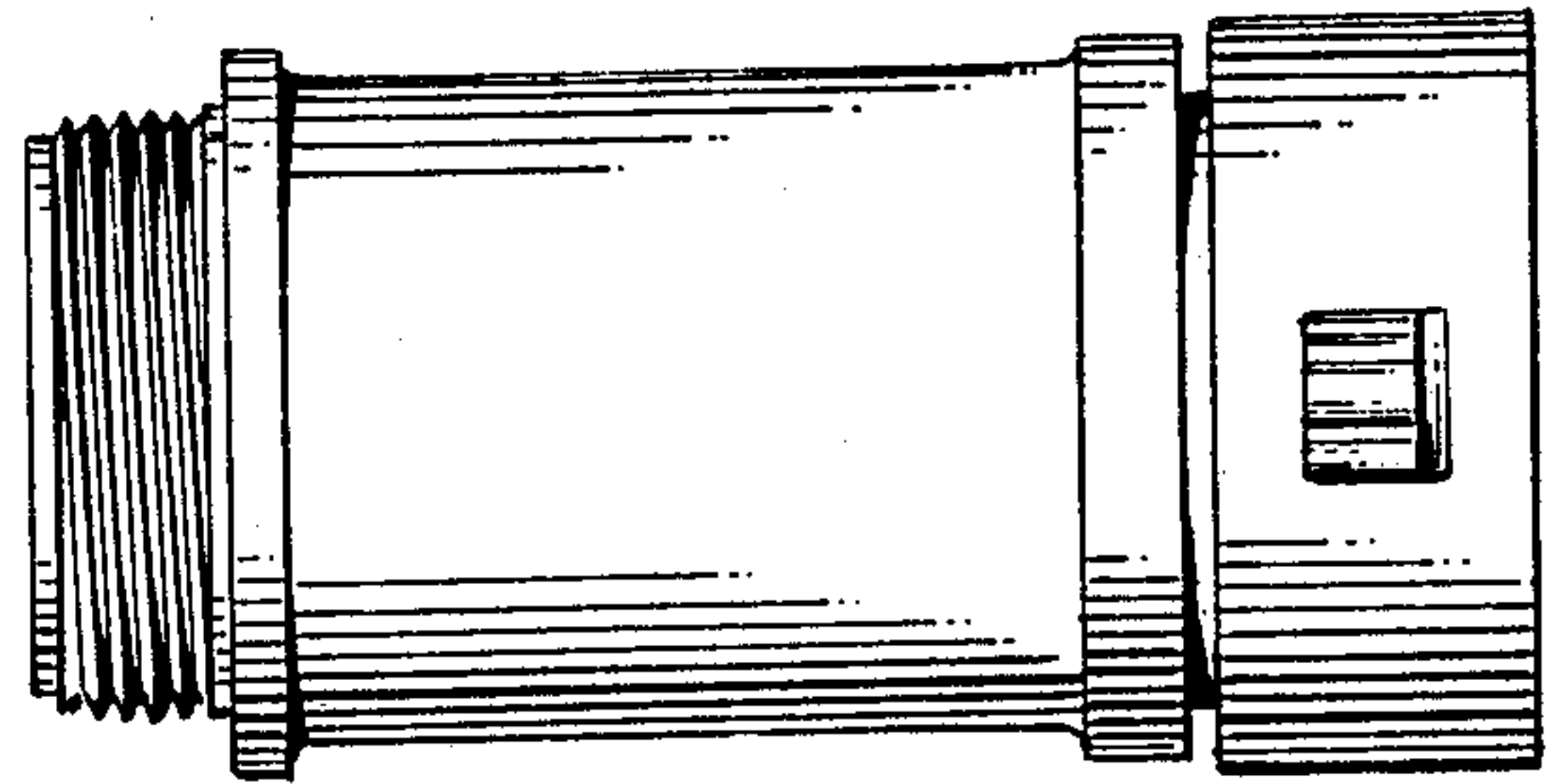
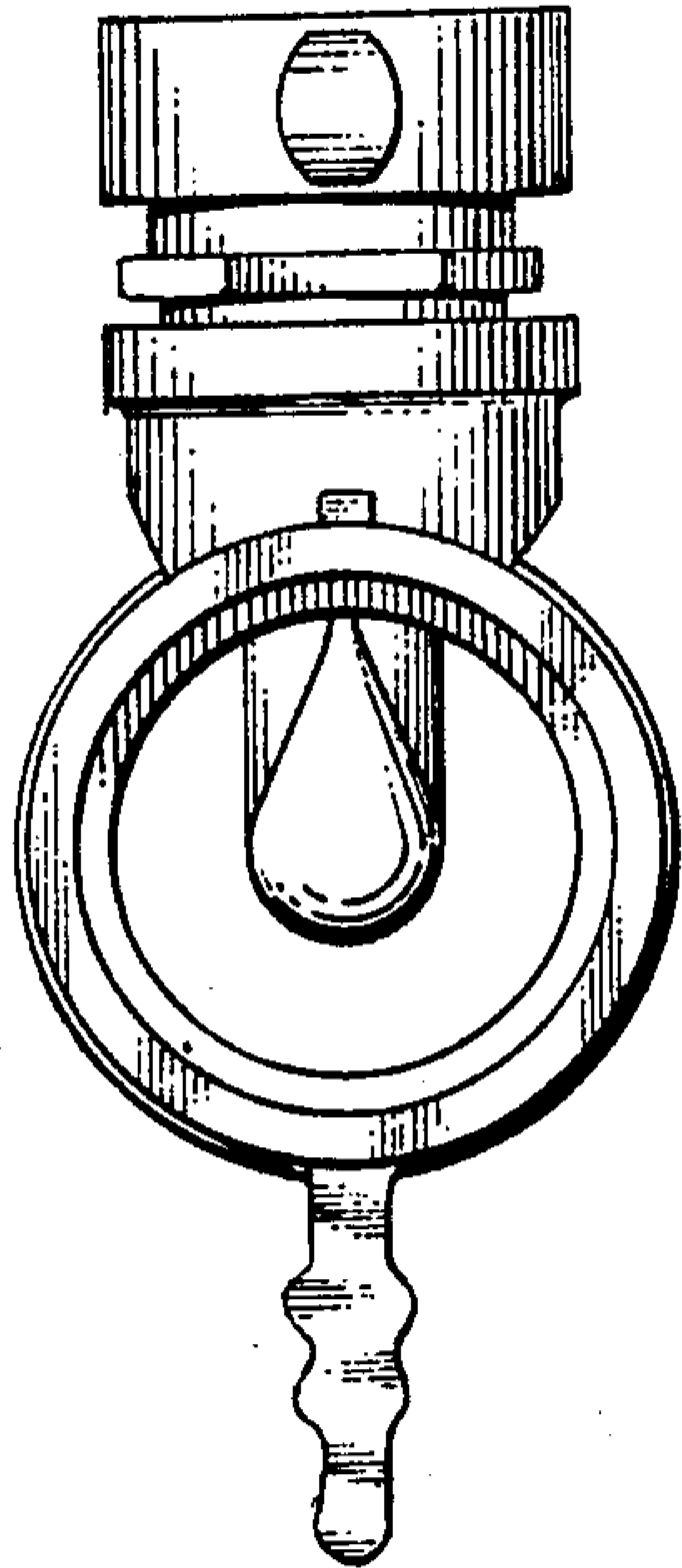


Fig. 3.

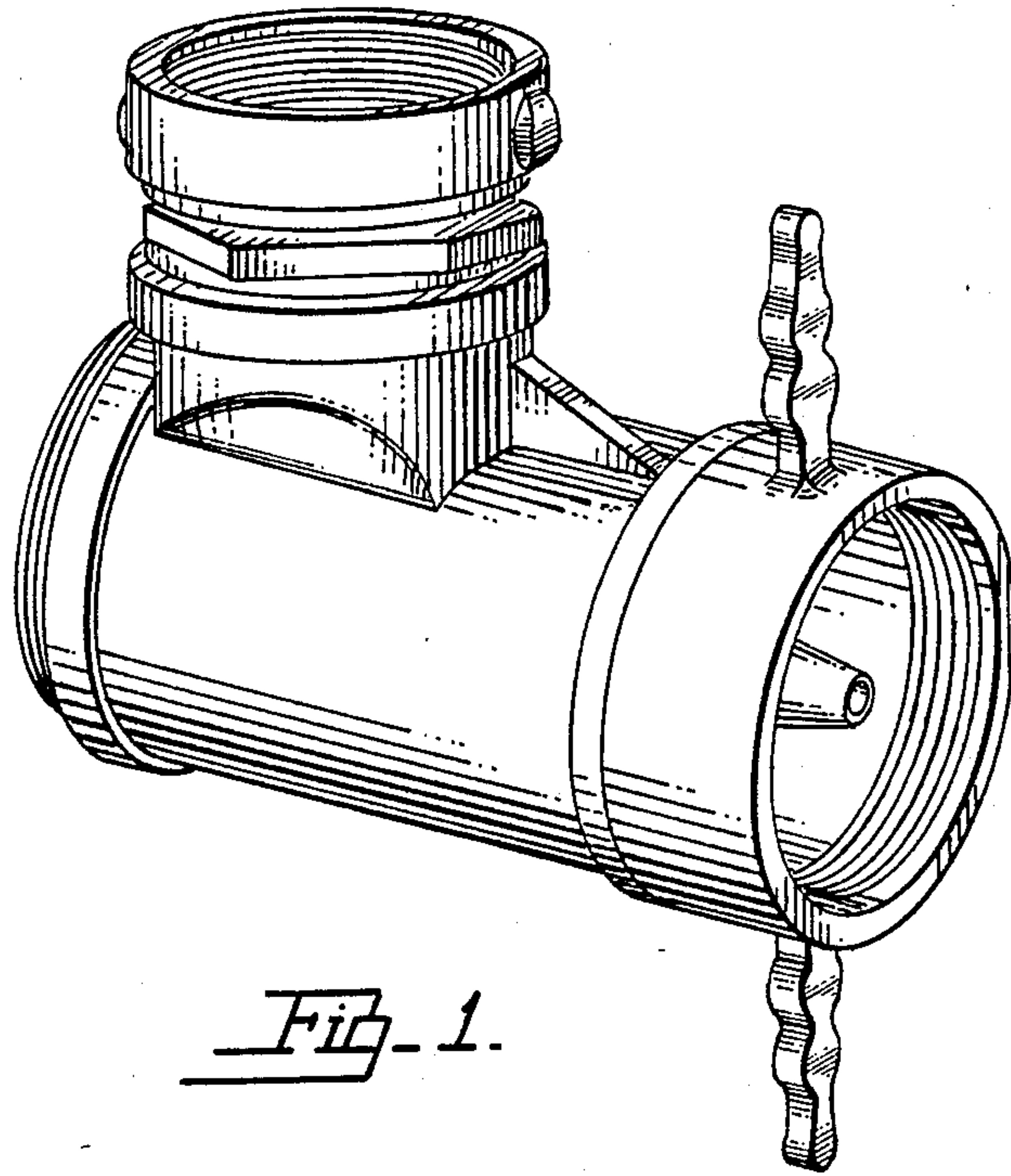


Fig. 1.

Fig. 2.

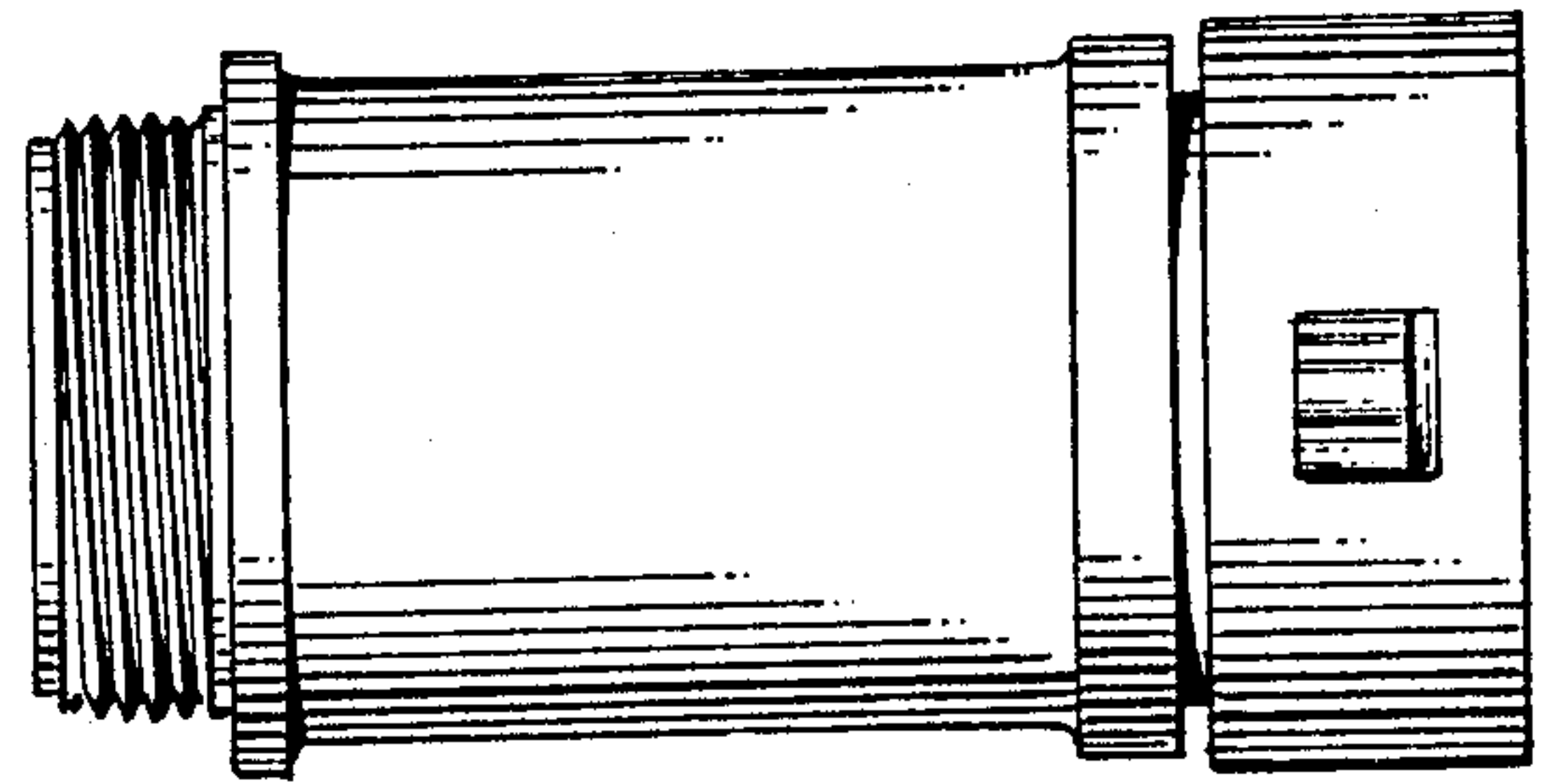
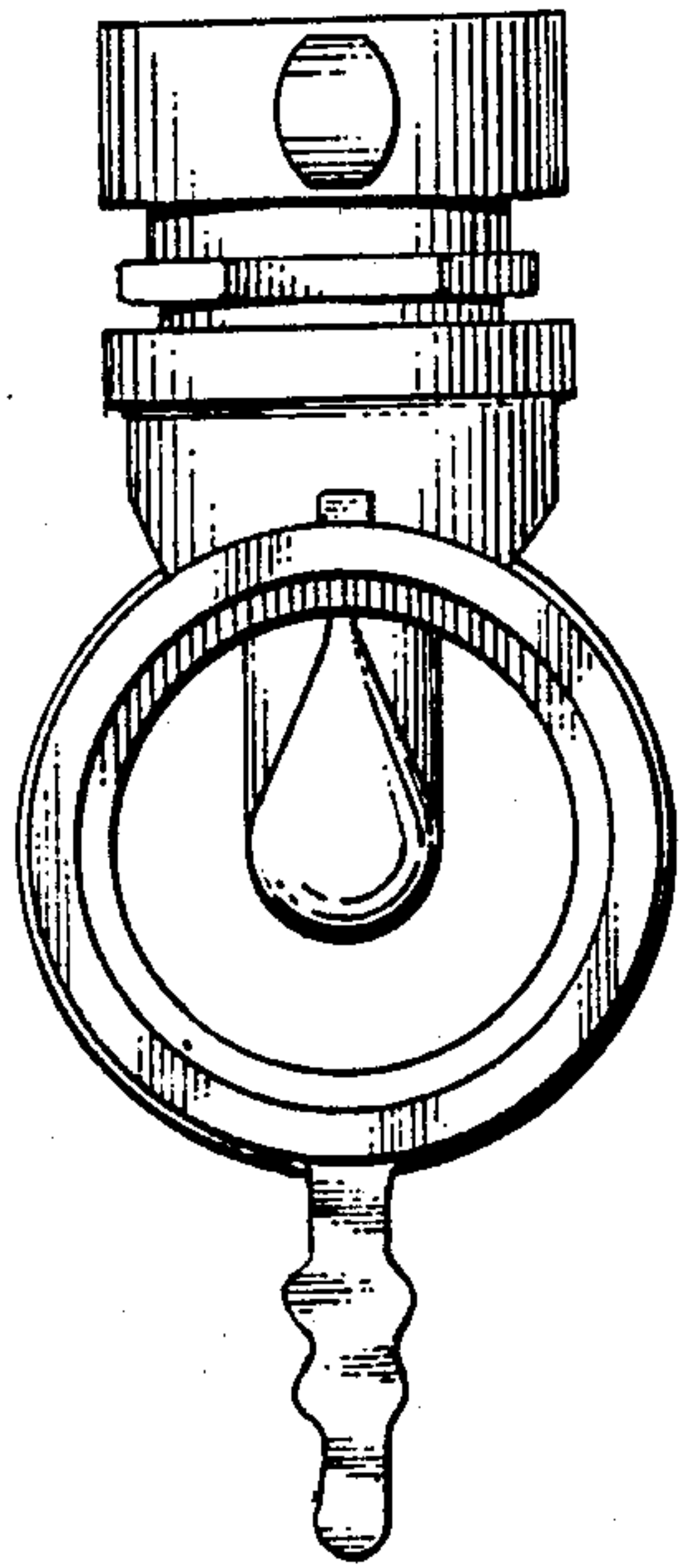


Fig. 3.