

[54] **QUICK RELEASE VALVE COVER**

[76] **Inventor: Ron Finley, Rte. 1, Box 399,
Wendell, Id. 83355**

[**] **Term: 14 Years**

[21] **Appl. No.: 95,251**

[22] **Filed: Sep. 11, 1987**

[52] **U.S. Cl. D15/5**

[58] **Field of Search D15/1, 3, 5; 123/90.38,
123/195 C, 198 E**

[56] **References Cited**

U.S. PATENT DOCUMENTS

D. 252,878 9/1979 Bellino et al. D15/5
2,724,378 11/1955 Wellman 123/198 C
3,396,712 8/1968 Sakraida et al. 123/198 C

OTHER PUBLICATIONS

J. C. Whitney Catalogue #466-C, 3/24/86, p. 191--
valve cover.

J. C. Whitney Catalogue #466-C, 3/24/86, p. 193--
Black Krinkle Cast Aluminum valve cover.

Primary Examiner—Wallace R. Burke

Assistant Examiner—Brian N. Vinson

Attorney, Agent, or Firm—Frank J. Dykas; Craig M.
Korfanta

[57] **CLAIM**

The ornamental design for a quick release valve cover,
as shown and described.

DESCRIPTION

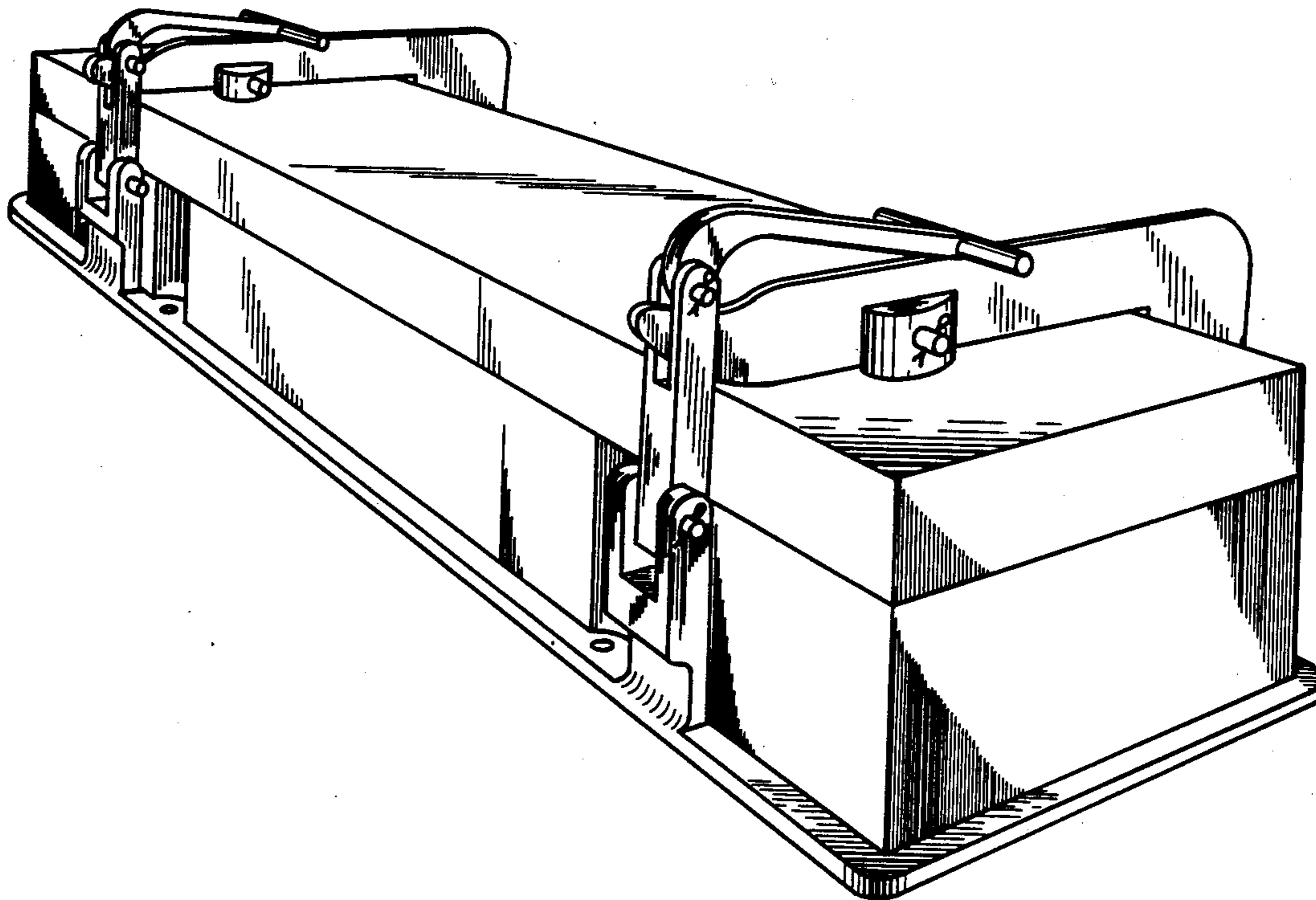
FIG. 1 is a perspective view of a quick reference valve cover showing my new design;

FIG. 2 is a perspective view thereof, shown in an open position;

FIG. 3 is an enlarged right side elevation view thereof, the left side being a mirror image of that shown;

FIG. 4 is a front elevational view thereof; and

FIG. 5 is a rear elevation view thereof.



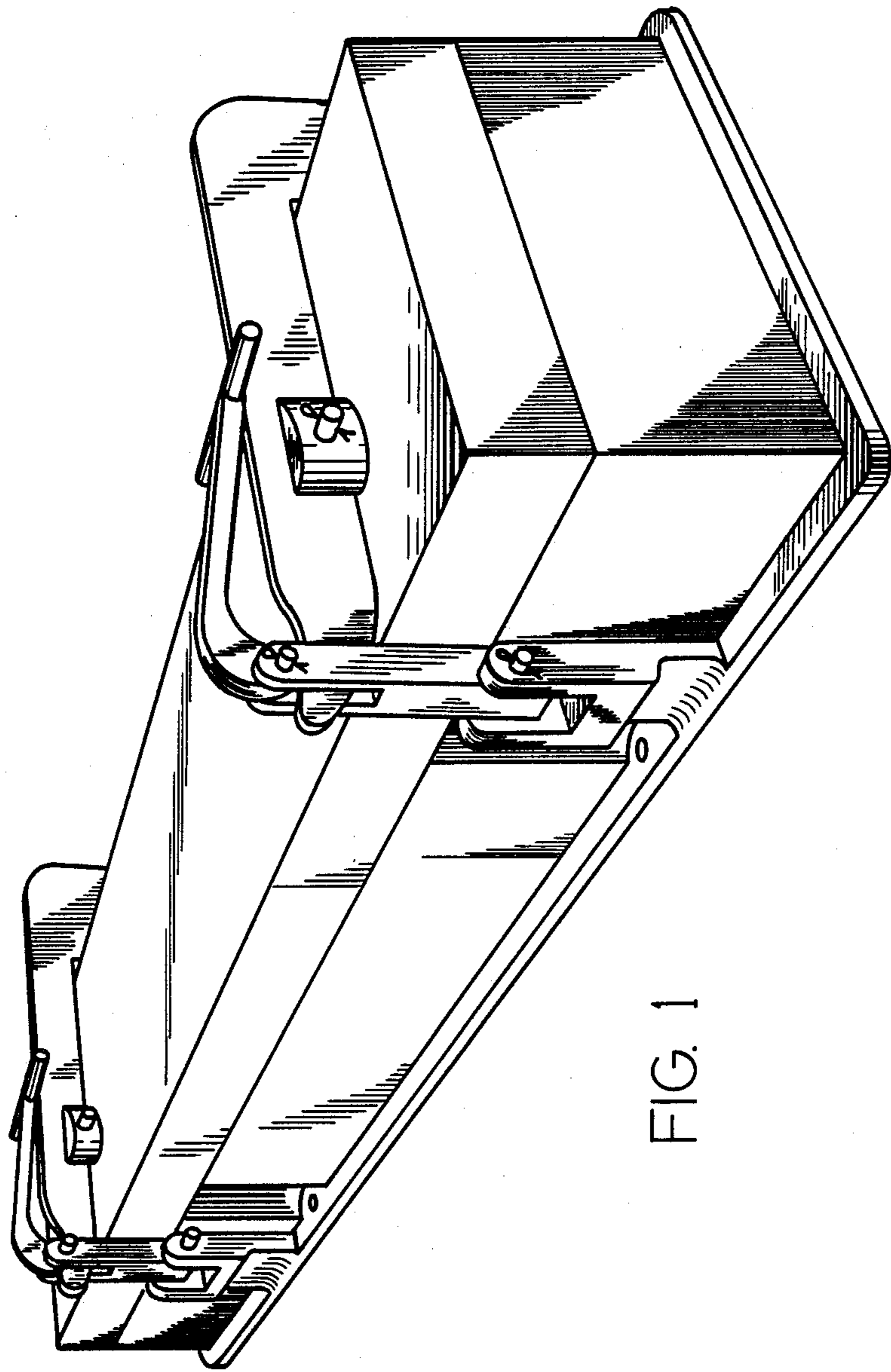


FIG. 1

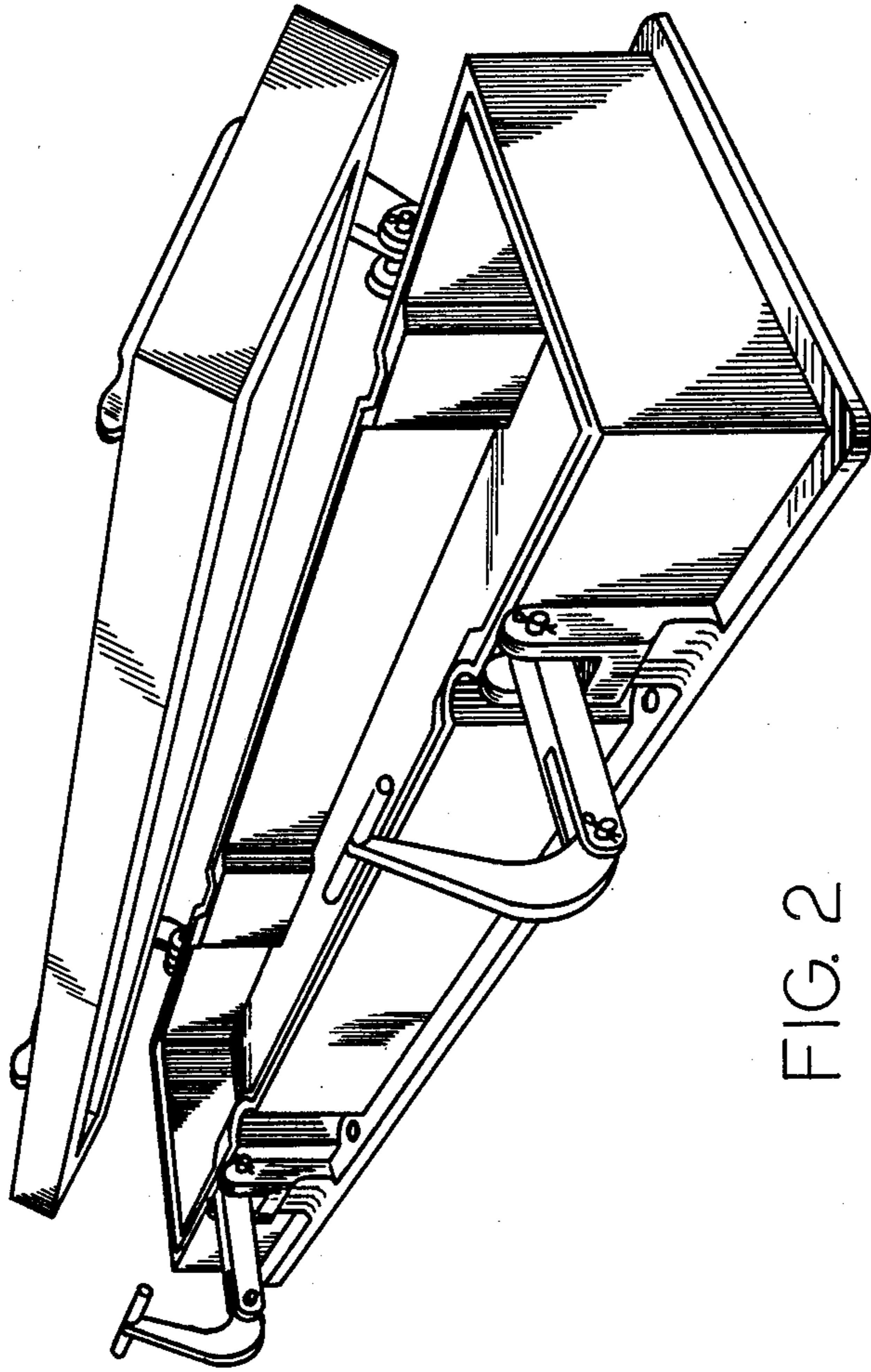


FIG. 2

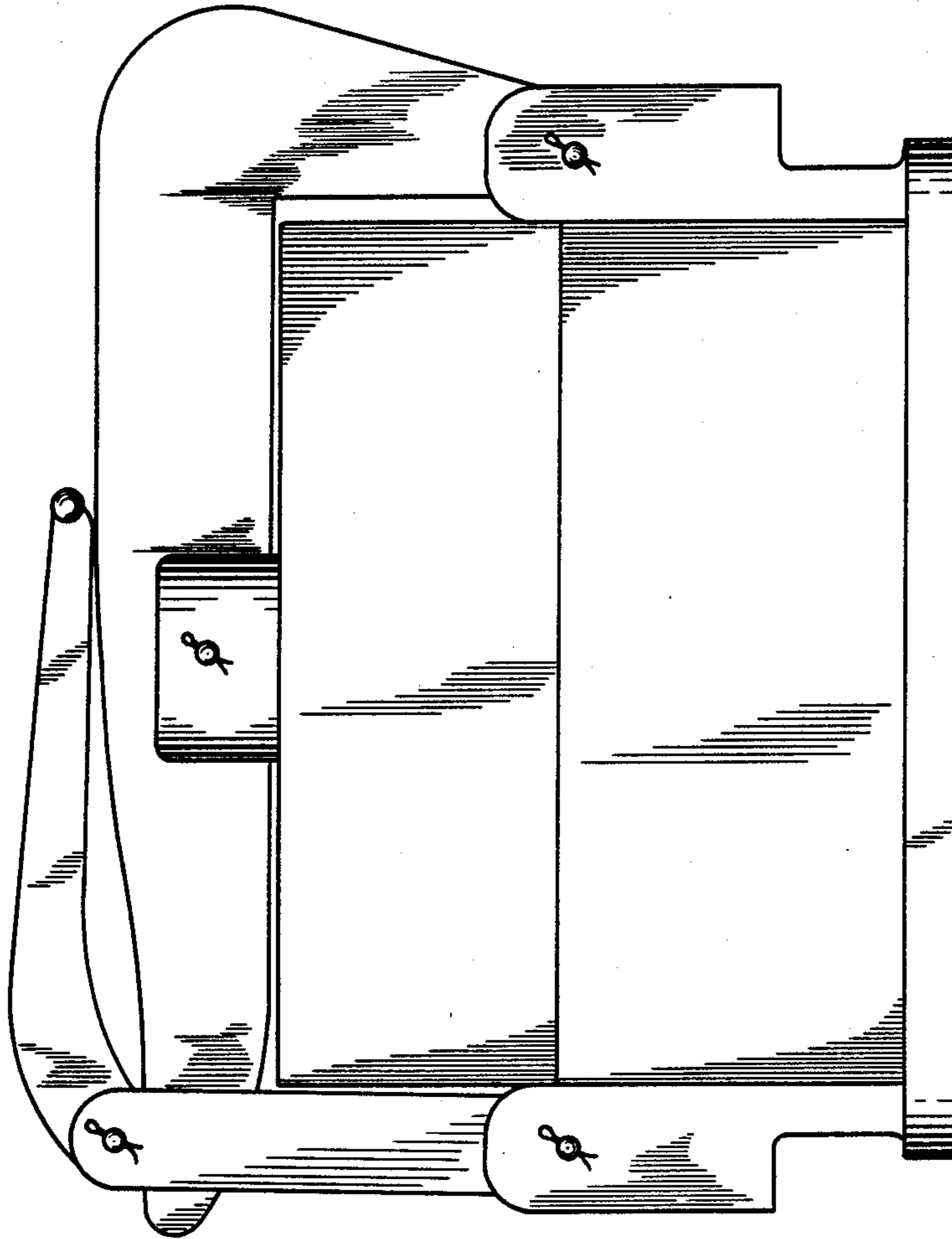


FIG. 3

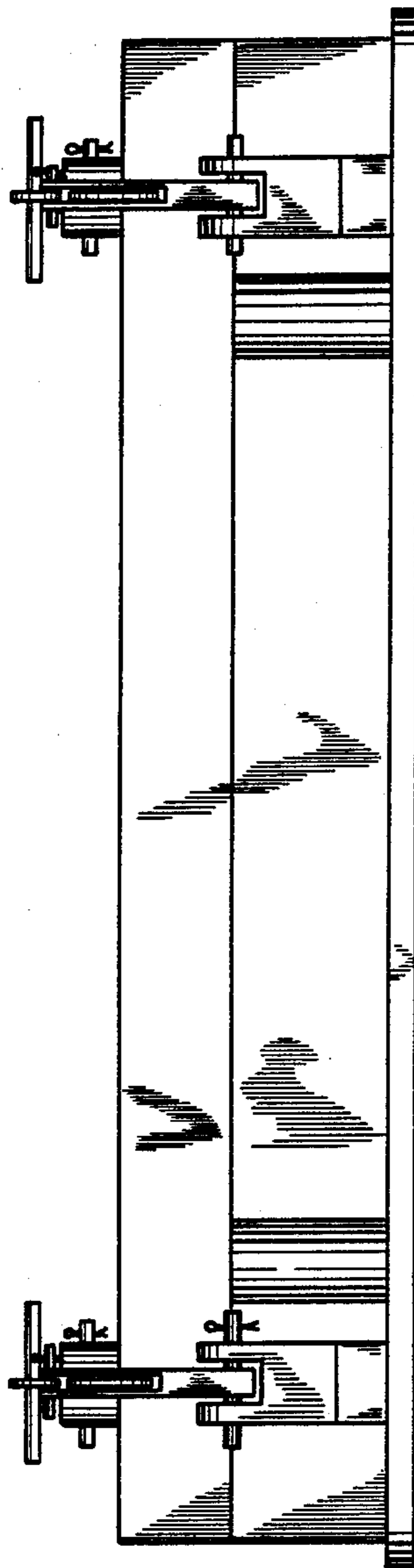


FIG. 4

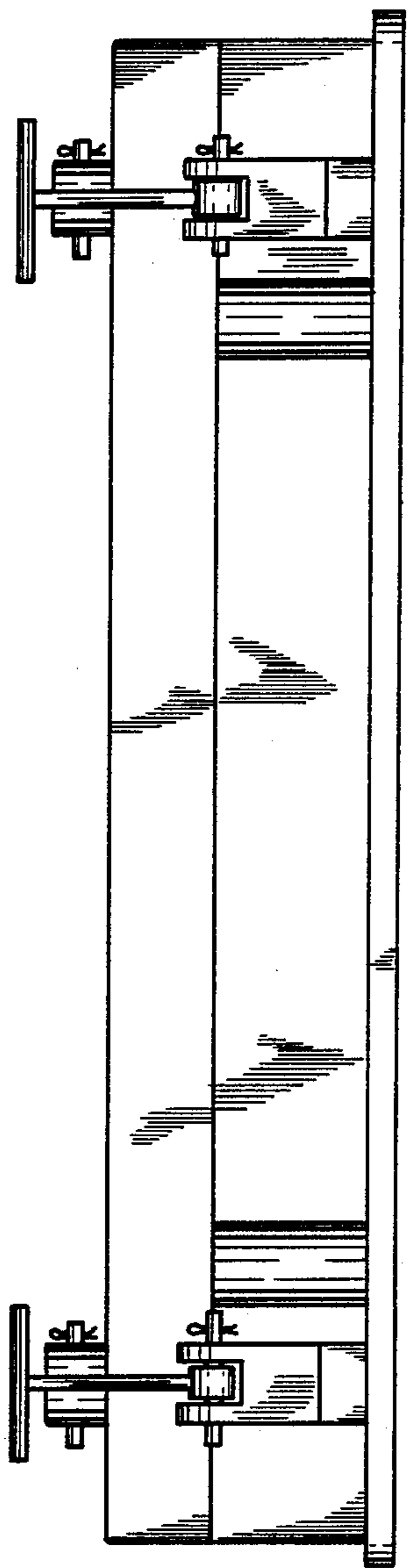


FIG. 5