

[54] LOCK GUARD COVER FOR A TELEPHONE HANDSET OR SIMILAR ARTICLE

[76] Inventor: Raymond F. Ward, 5225 E. Thomas Rd., Apt. 216, Phoenix, Ariz. 85018

[**] Term: 14 Years

[21] Appl. No.: 184,032

[22] Filed: Apr. 20, 1988

[52] U.S. Cl. D14/251; D14/250; 379/445; 70/DIG. 72

[58] Field of Search D14/250, 137, 251, 114, D14/252, 253, 254; 379/445, 446, 449, 440; D21/111; 70/DIG. 72; D8/336, 330, 338, 331, 341, 343, 346

[56] References Cited

U.S. PATENT DOCUMENTS

D. 291,315	8/1987	Belford	D14/114
D. 298,750	11/1988	Zaza	D14/254
1,938,259	12/1933	Jackson	379/445
2,194,521	3/1940	Engelson	379/445
2,841,658	7/1958	Dawkins	70/DIG. 72
3,184,548	5/1965	Krulovich	D14/253 X
3,469,041	9/1969	Winston	70/DIG. 72
4,471,409	9/1984	Dittrich	D14/114 X
4,750,204	6/1988	Bartley	70/DIG. 72
4,771,927	9/1988	Ventura	379/446 X

FOREIGN PATENT DOCUMENTS

0220684	4/1962	Austria	379/445
2916630	11/1980	Fed. Rep. of Germany	379/445
2919599	11/1980	Fed. Rep. of Germany	379/445
3205626	8/1983	Fed. Rep. of Germany	379/445
1168576	12/1958	France	379/449
2285765	4/1976	France	379/445

OTHER PUBLICATIONS

800-H1-Hello Catalog, May 1988; p. 11; The Scrambler 4004-A; Stop-A-Call, 1A2 Tone Dial Desk Phones. Dewey Mfg. Co. ad sheet: flyer ad sheet; "Protekt-A--Phone"Lock; Model D-A-1.

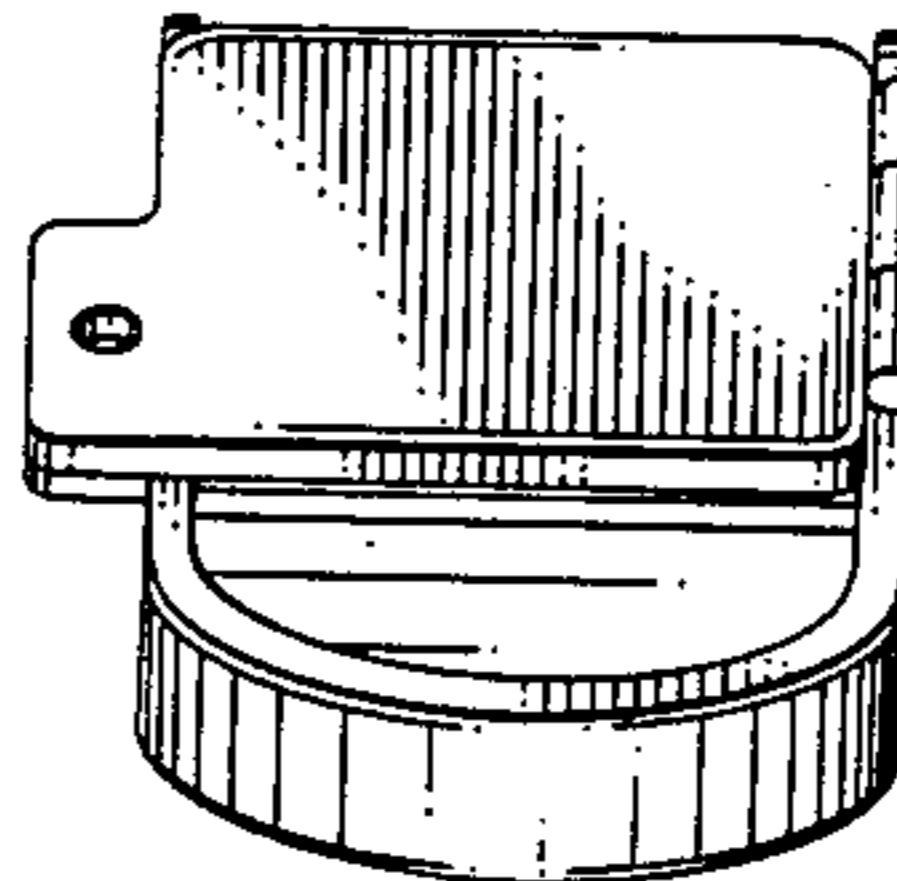
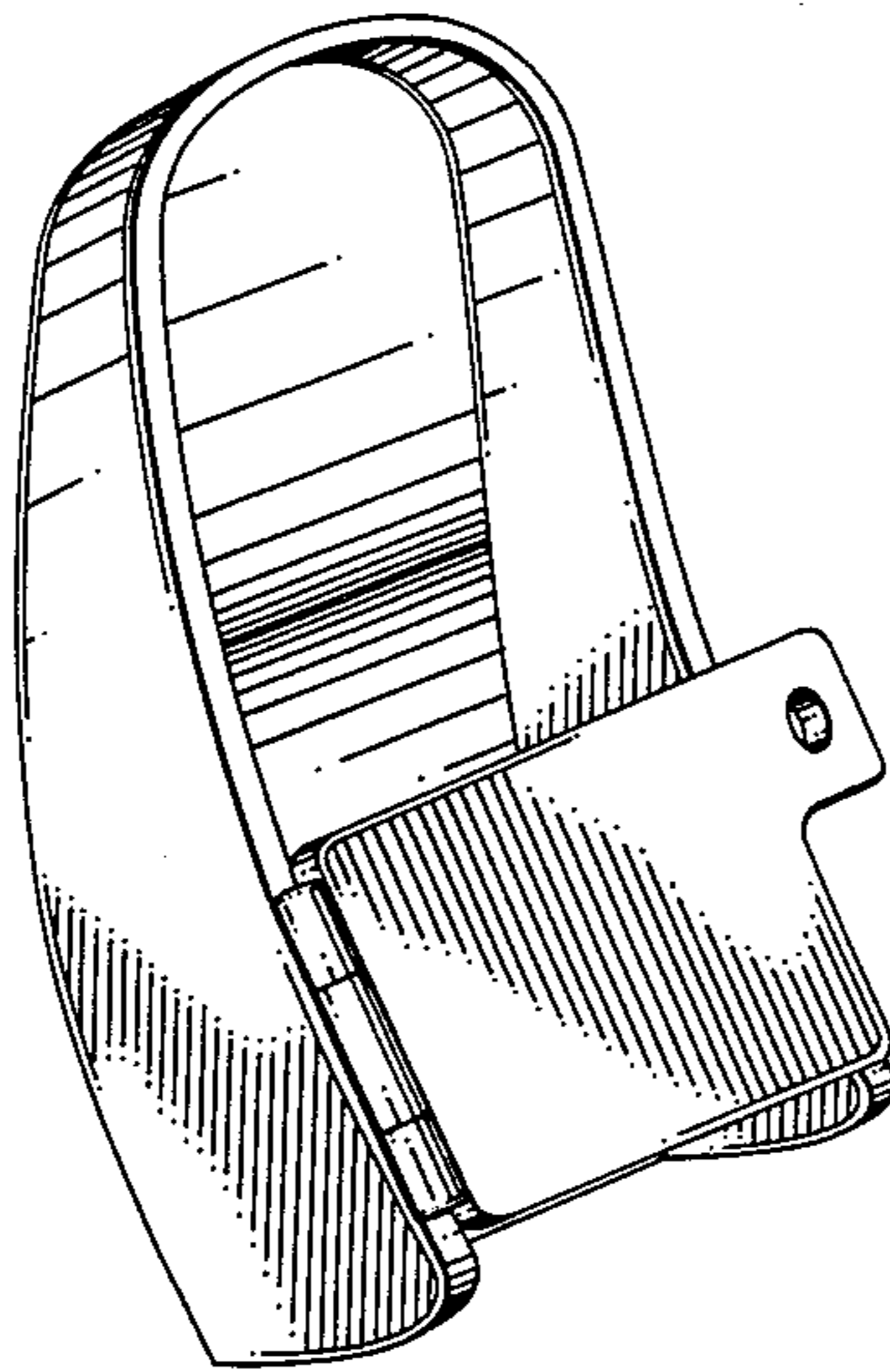
Primary Examiner—Horace B. Fay, Jr.
Attorney, Agent, or Firm—James F. Duffy

[57] CLAIM

The ornamental design for a lock guard cover for a telephone handset or similar article, as shown.

DESCRIPTION

FIG. 1 is a left side, front perspective view of a lock guard cover for a telephone handset showing my new design in a closed position; FIG. 2 is a right side elevational view thereof; FIG. 3 is a rear elevational view thereof; and FIGS. 4 and 5 are respectively top and bottom plan view thereof.



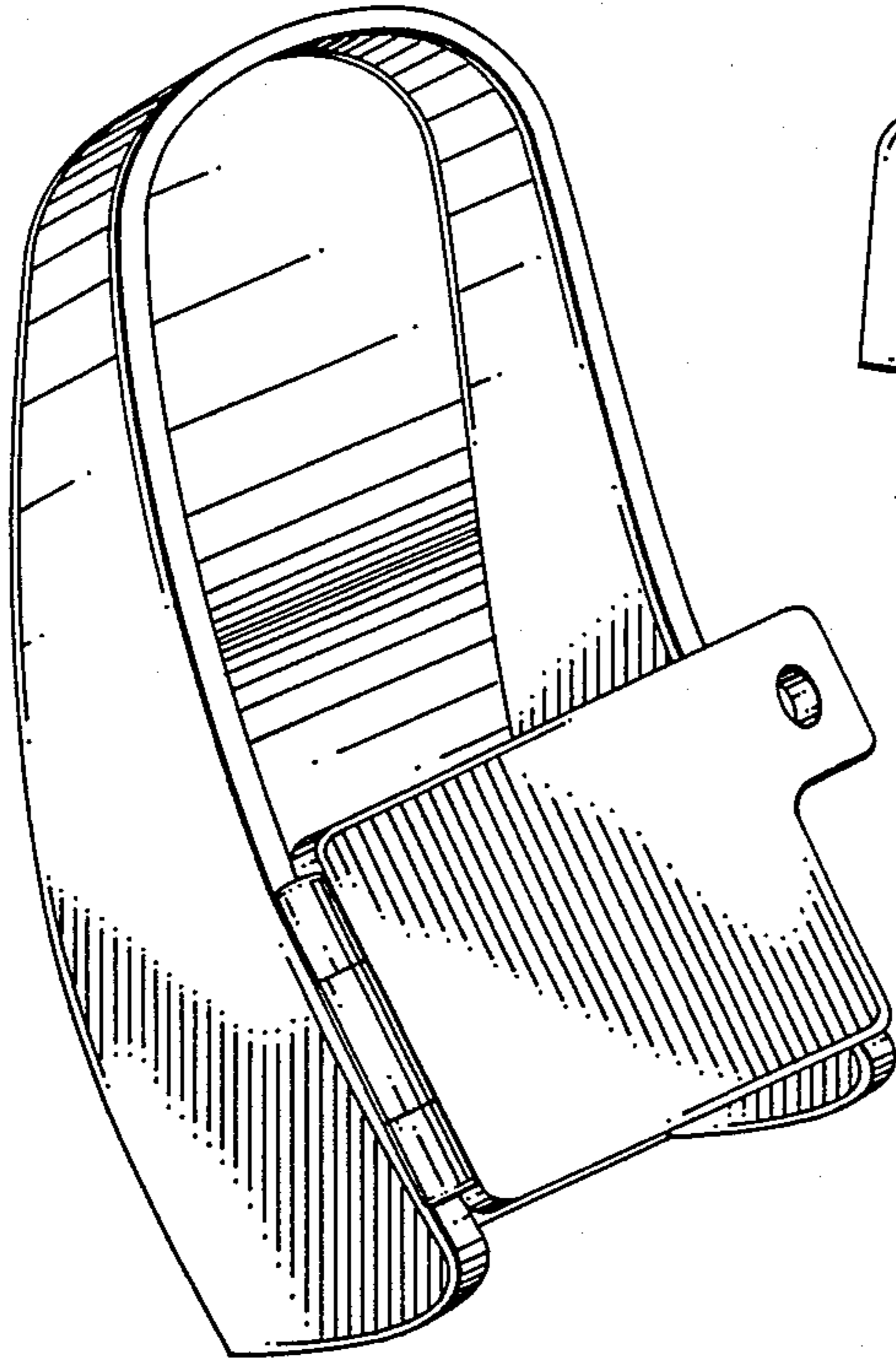


FIG. 1

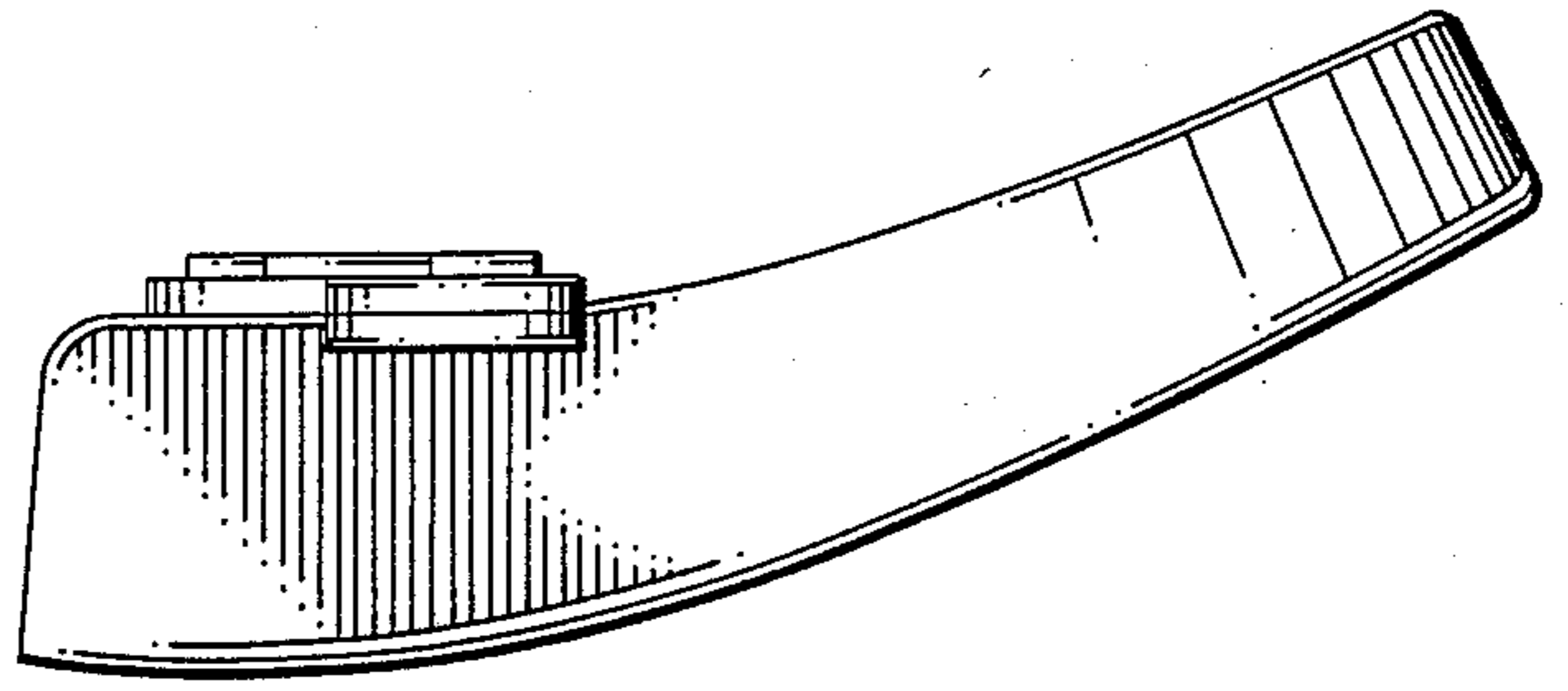


FIG. 2

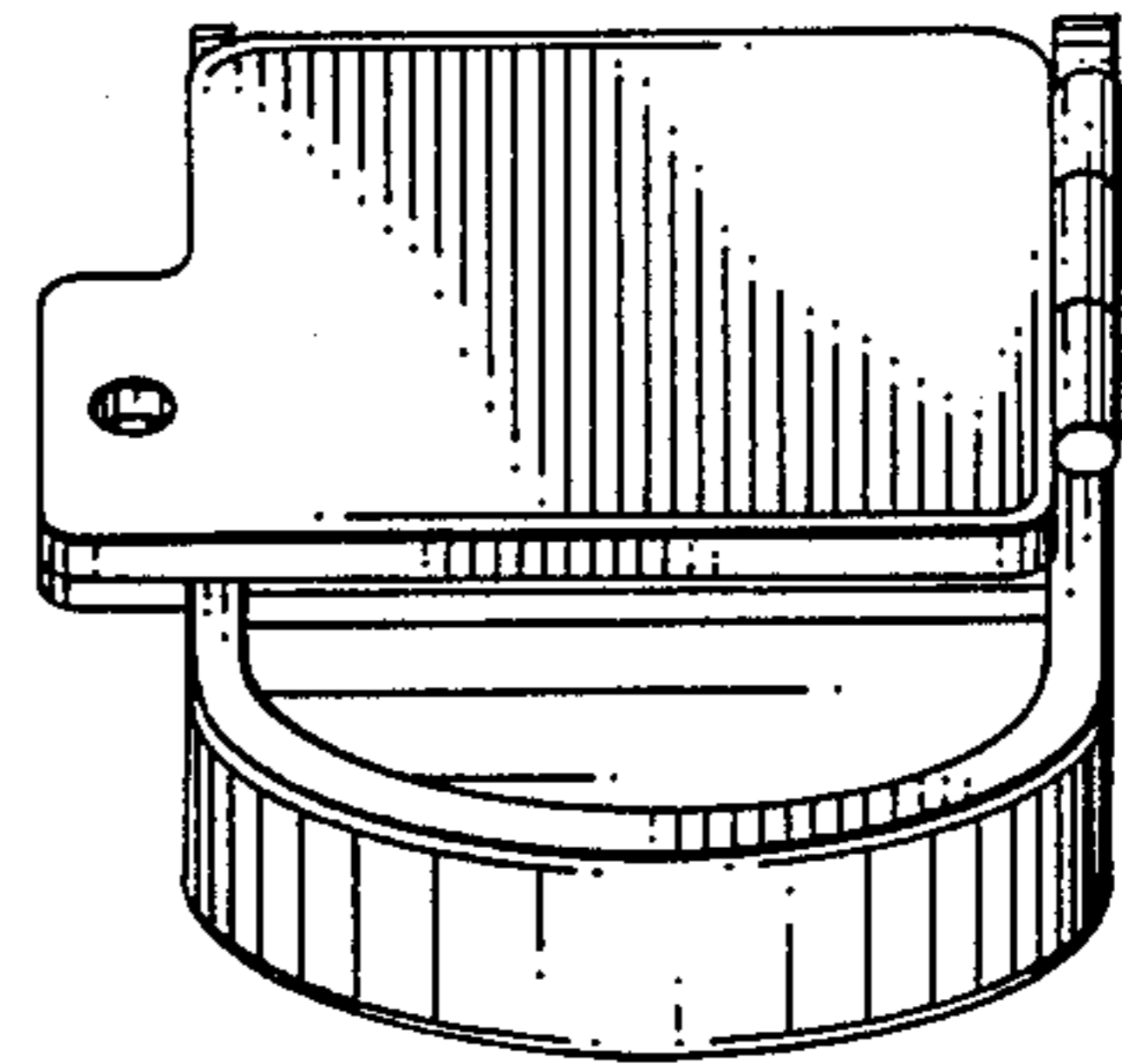


FIG. 4

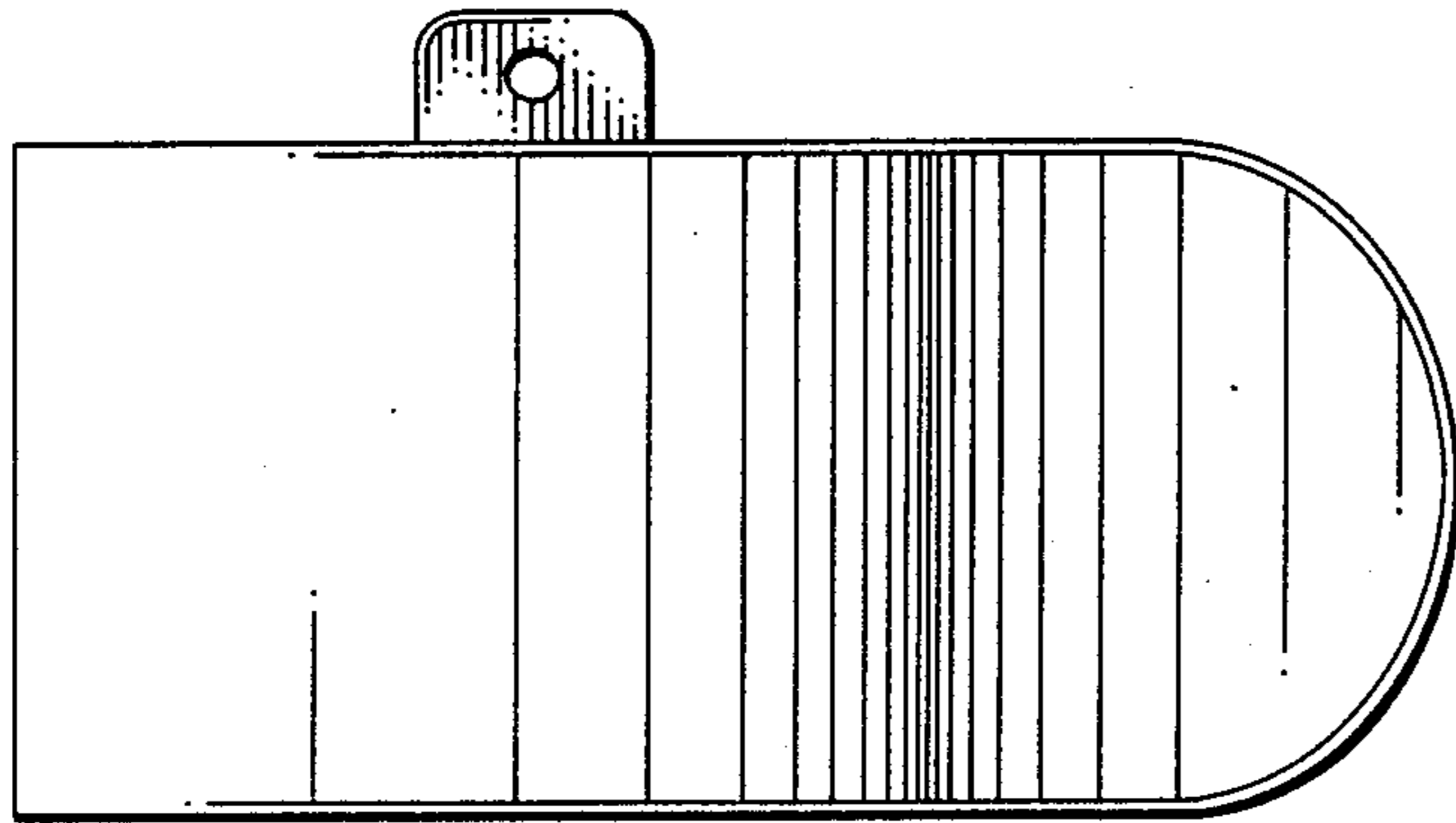


FIG. 3

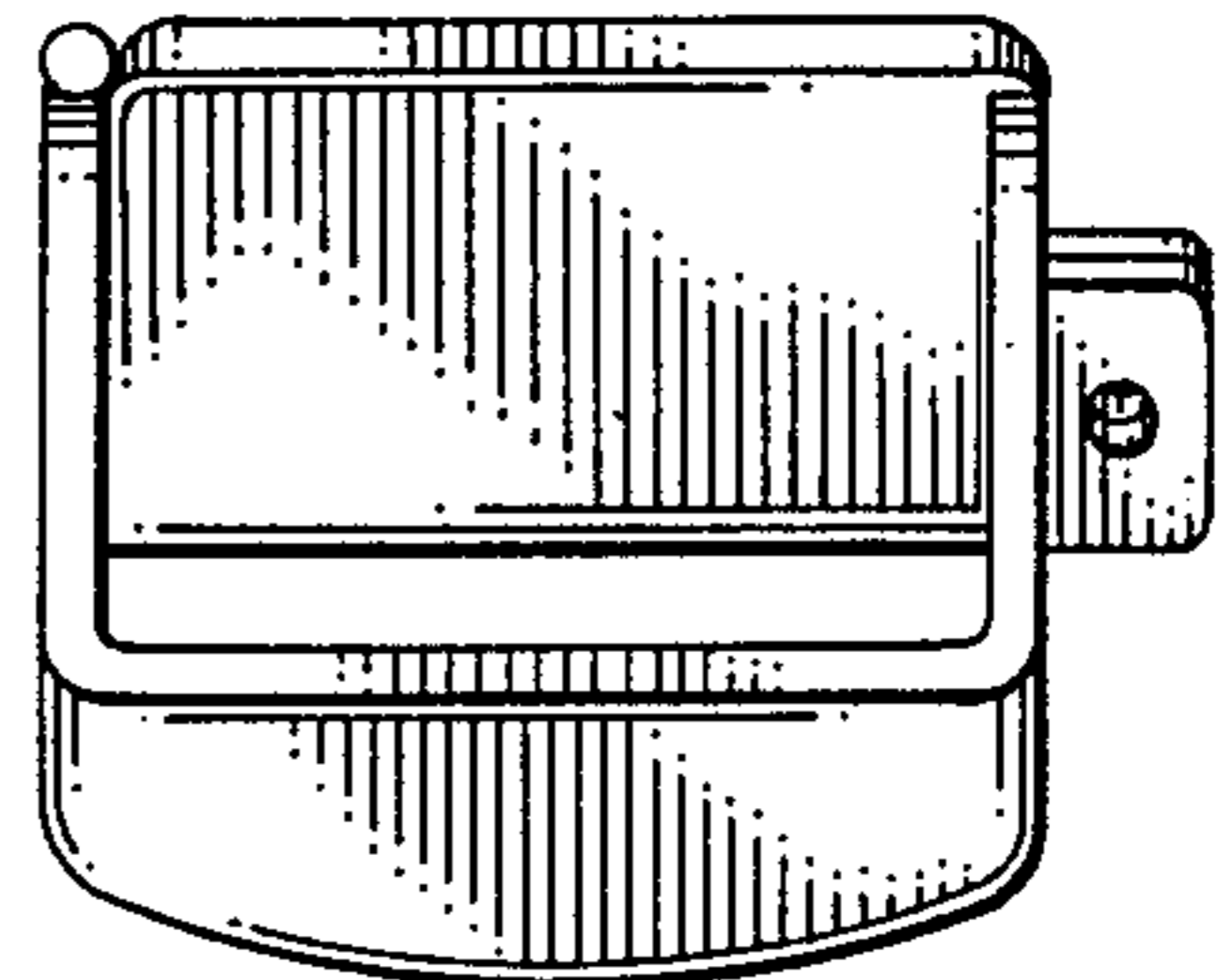


FIG. 5