

- [54] **BASE FOR A TELEPHONE SET**
- [75] **Inventors: Gad J. Shaanan, Westmount; Jerom Foy, Montreal, both of Canada**
- [73] **Assignee: Northern Telecom Limited, Montreal, Canada**
- [\*\*] **Term: 14 Years**
- [21] **Appl. No.: 305,358**
- [22] **Filed: Jan. 2, 1989**
- [52] **U.S. Cl. .... D14/151; D14/149**
- [58] **Field of Search ..... D14/149, 151, 142, 140; 379/440, 436, 429, 428, 417**

- D. 272,441 1/1984 Carr ..... D14/151
- D. 276,430 11/1984 Isaacs ..... D14/149
- D. 277,479 2/1985 Genaro et al. .... D14/149
- D. 279,289 6/1985 Ghanshyambhat et al. .... D14/149
- D. 293,440 12/1987 Britz ..... D14/149
- D. 297,325 8/1988 Engstrom et al. .... D14/149

*Primary Examiner*—Horace B. Fay, Jr.  
*Attorney, Agent, or Firm*—Robert C. Hogeboom

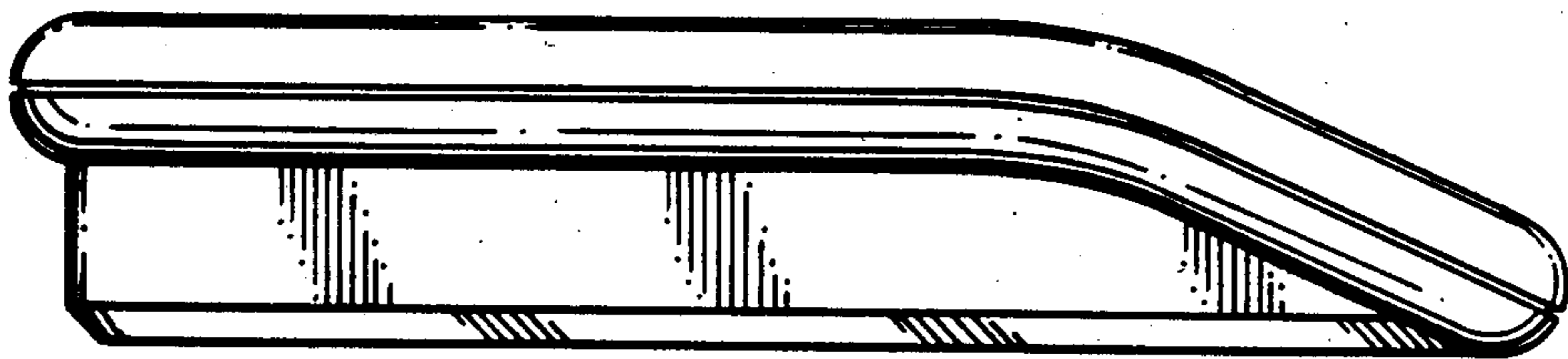
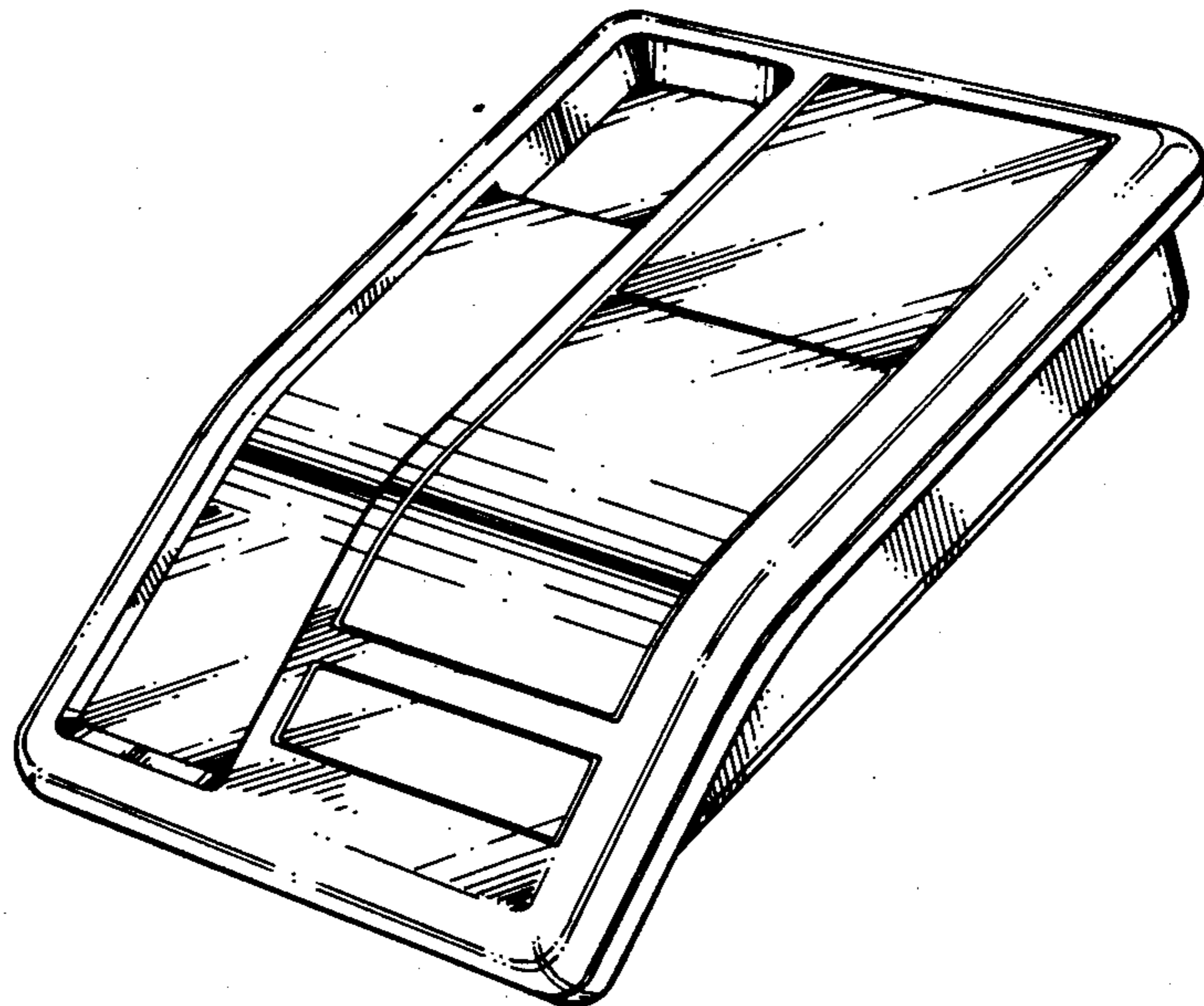
[57] **CLAIM**

The ornamental design for a base for a telephone set, as shown and described.

**DESCRIPTION**

FIG. 1 is a top, front, and side perspective view of a base for a telephone set, showing our new design;  
 FIG. 2 is a top plan view thereof;  
 FIG. 3 is a front elevational view thereof;  
 FIG. 4 is a back elevational view thereof;  
 FIG. 5 is a bottom plan view thereof;  
 FIG. 6 is a left side elevational view thereof;  
 FIG. 7 is a right side elevational view thereof.

- [56] **References Cited**
- U.S. PATENT DOCUMENTS**
- D. 231,650 5/1974 Eubank et al. .... D14/149
- D. 252,569 8/1979 Genaro et al. .... D14/149
- D. 255,680 7/1980 Read et al. .... D14/151
- D. 259,421 6/1981 Janda ..... D14/149



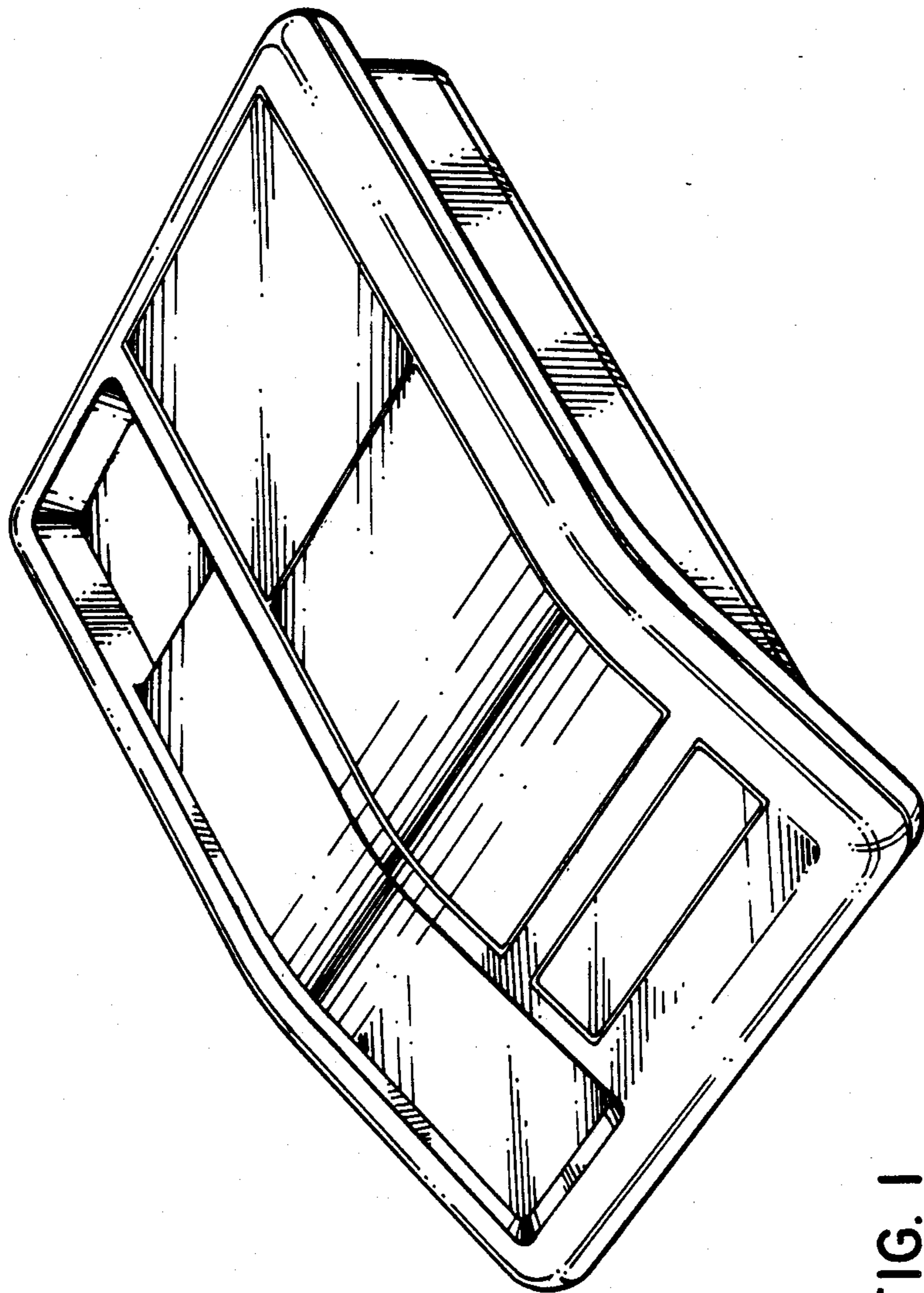


FIG. 1

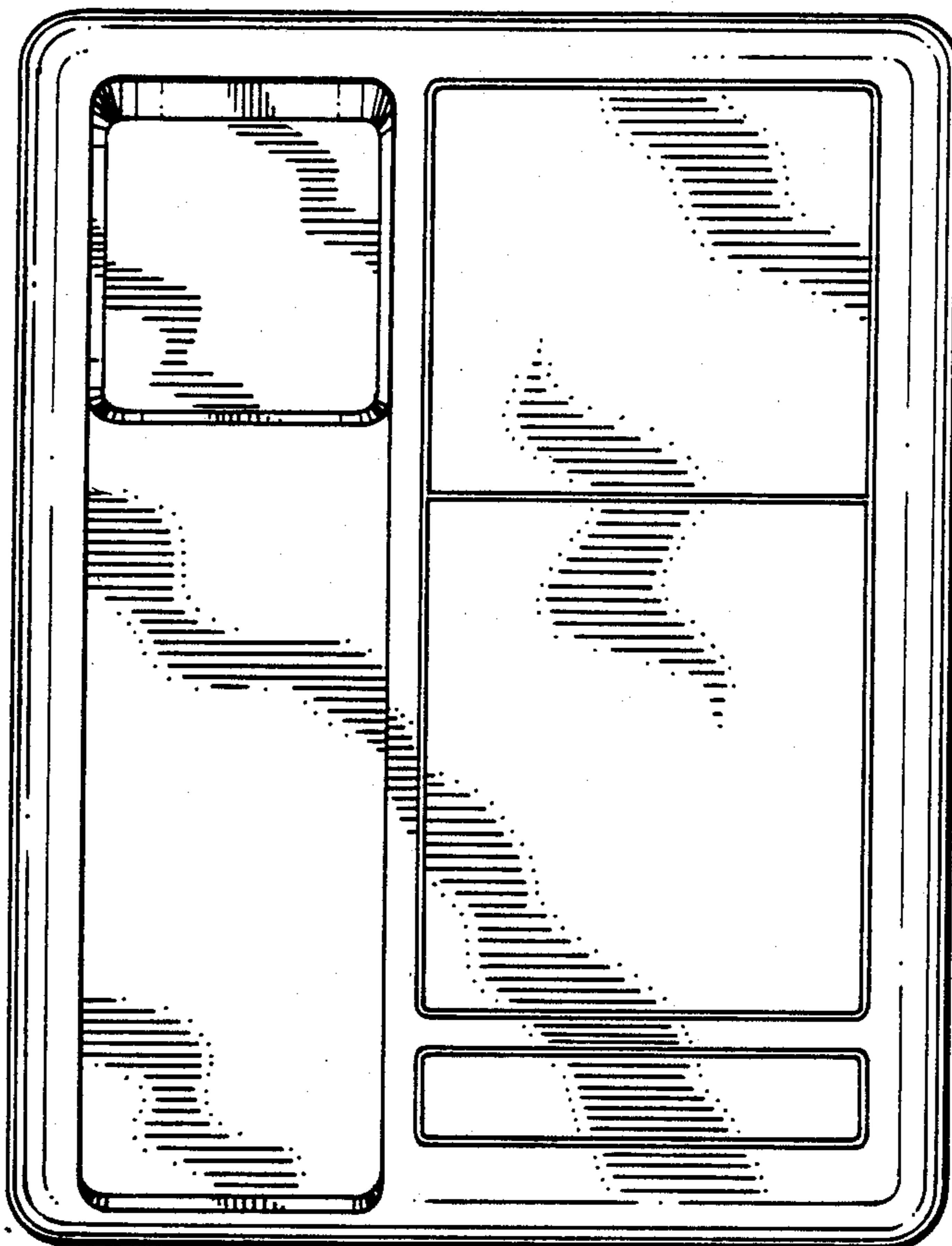


FIG. 2

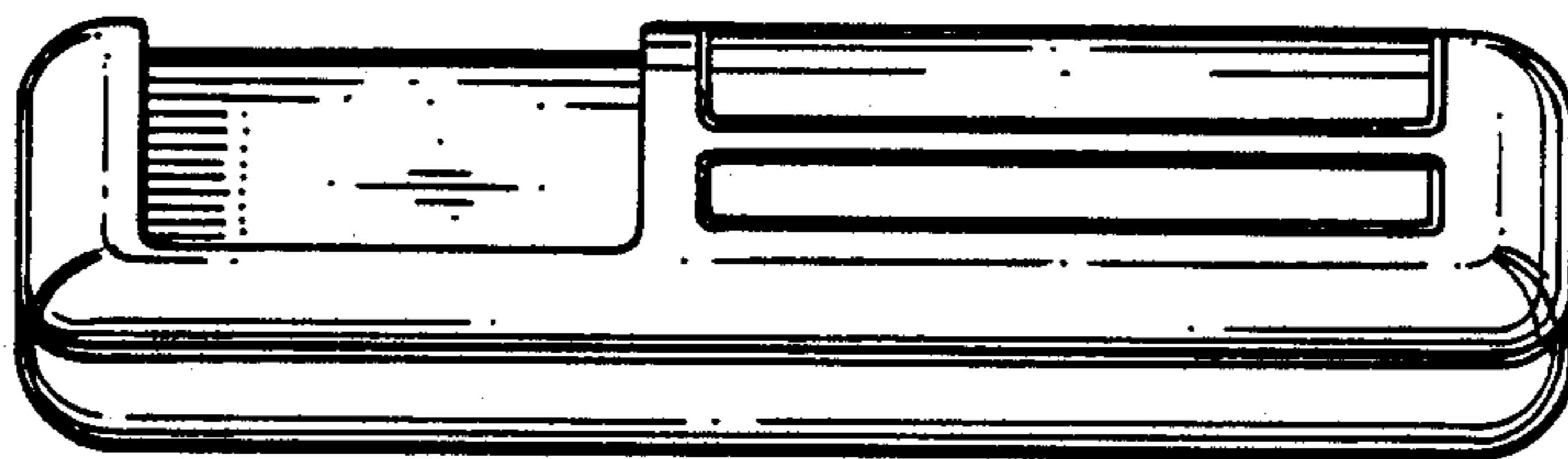


FIG. 3

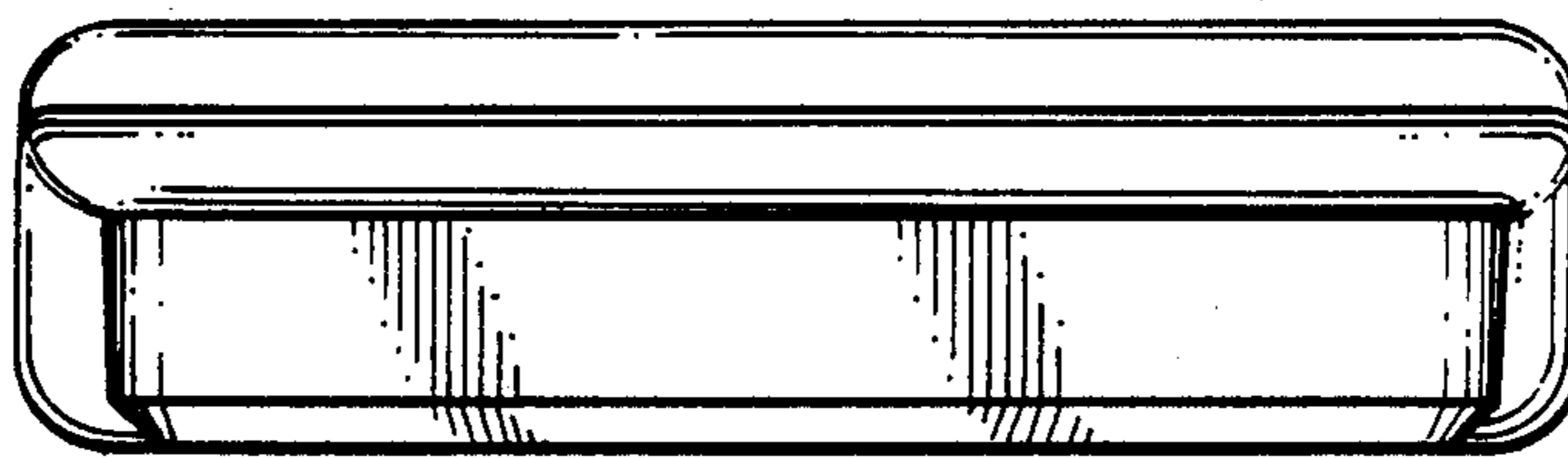


FIG. 4

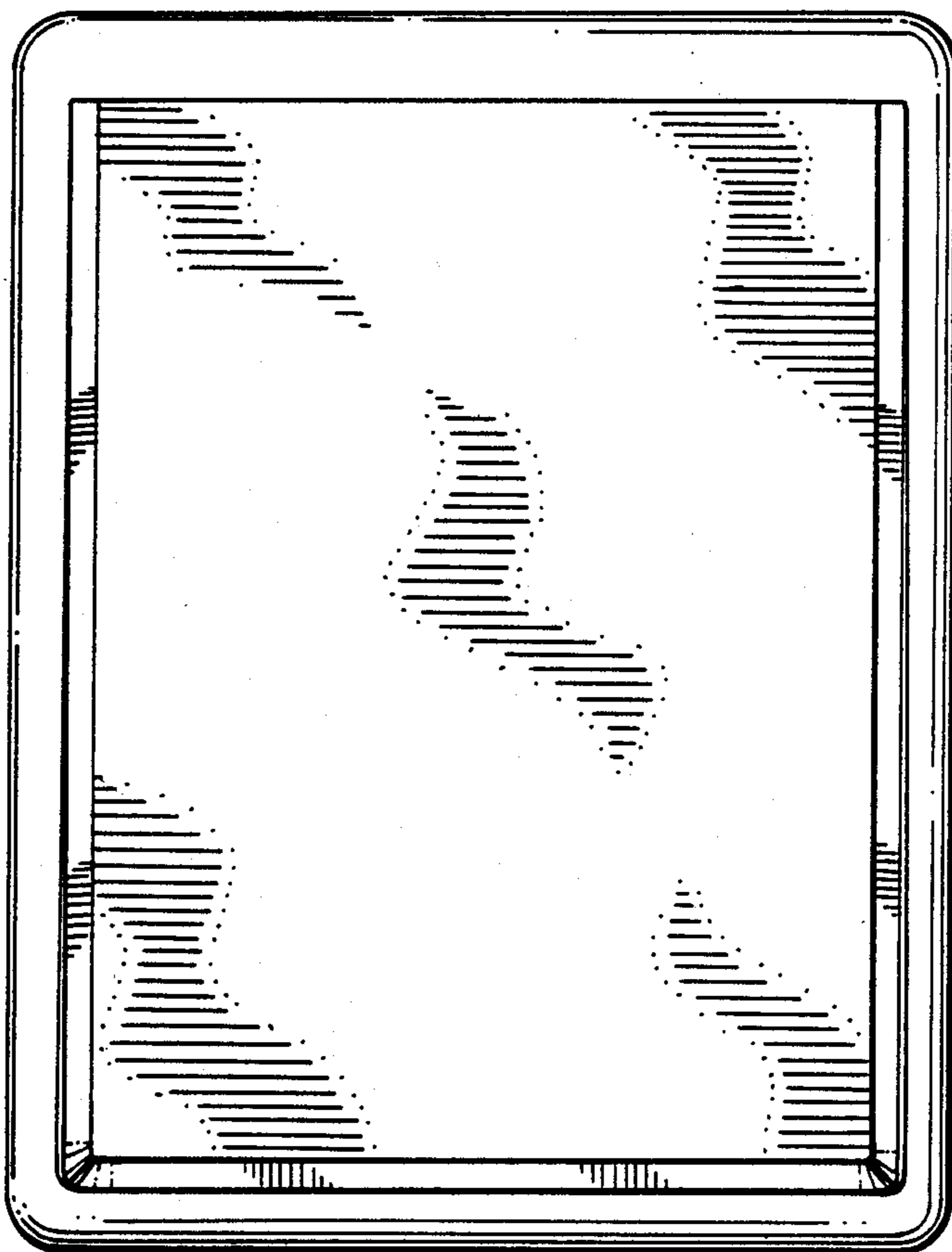


FIG. 5

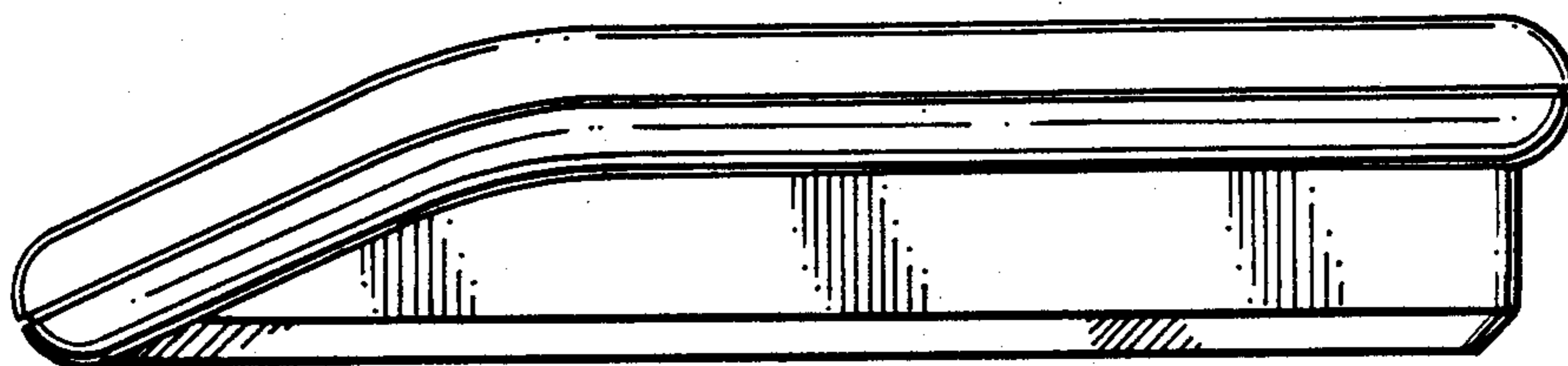


FIG. 6

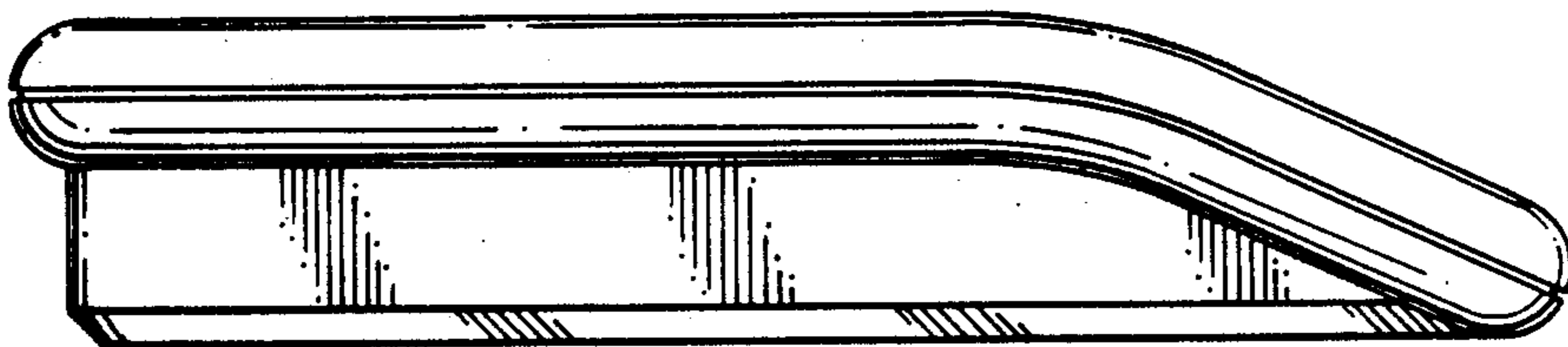


FIG. 7