

[54] **COMPUTER DISPLAY TERMINAL**
 [75] Inventor: **William P. Flies**, Burnsville, Minn.
 [73] Assignee: **Xata Corporation**, Burnsville, Minn.
 [**] Term: **14 Years**
 [21] Appl. No.: **57,838**
 [22] Filed: **Jun. 3, 1987**
 [52] U.S. Cl. **D14/113**
 [58] Field of Search **D14/100, 102, 104, 107, D14/113, 114; D18/1, 2, 6, 11, 12; 340/700, 706, 711, 712; 358/249, 254; 364/706-710, 130, 144, 189; 341/22, 23; 312/208; 400/677, 682, 472, 489, 492, 496; 235/145 A, 145 R**

D. 291,093 7/1987 Wang D18/12
 D. 291,695 9/1987 Sharp D14/113
 D. 296,770 7/1988 Lloyd D10/102
 4,683,465 7/1987 Lake, Jr. et al. 358/249 X

Primary Examiner—Susan J. Lucas
Assistant Examiner—Freda S. Nunn
Attorney, Agent, or Firm—Vidas & Arrett

[57] **CLAIM**

The ornamental design for a computer display terminal, as shown and described.

DESCRIPTION

FIG. 1 is a top, front, right side perspective view of a computer display terminal showing my new design;
 FIG. 2 is a bottom, rear, left side perspective view thereof;
 FIG. 3 is a left side elevational view thereof, on an enlarged scale;
 FIG. 4 is a right side elevational view thereof, on an enlarged scale;
 FIG. 5 is a front elevational view thereof, on an enlarged scale.

[56] **References Cited**

U.S. PATENT DOCUMENTS

D. 264,347 5/1982 Peroni D18/11
 D. 267,880 2/1983 Marshall D14/113
 D. 281,940 12/1985 Steventon et al. D14/113 X
 D. 289,873 5/1987 Gemmell et al. D14/113
 D. 290,702 7/1987 Stern et al. D14/113

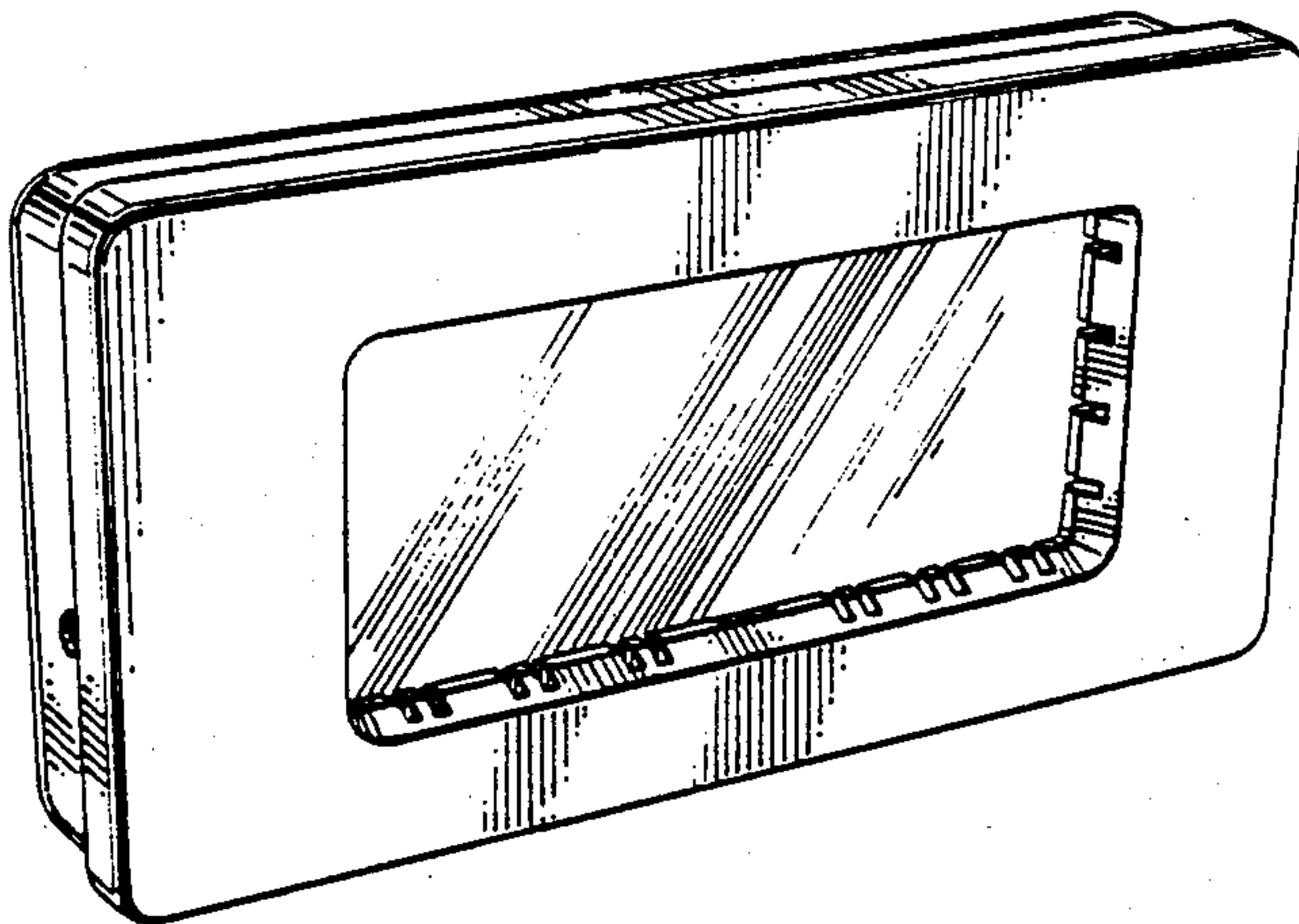


Fig. 1

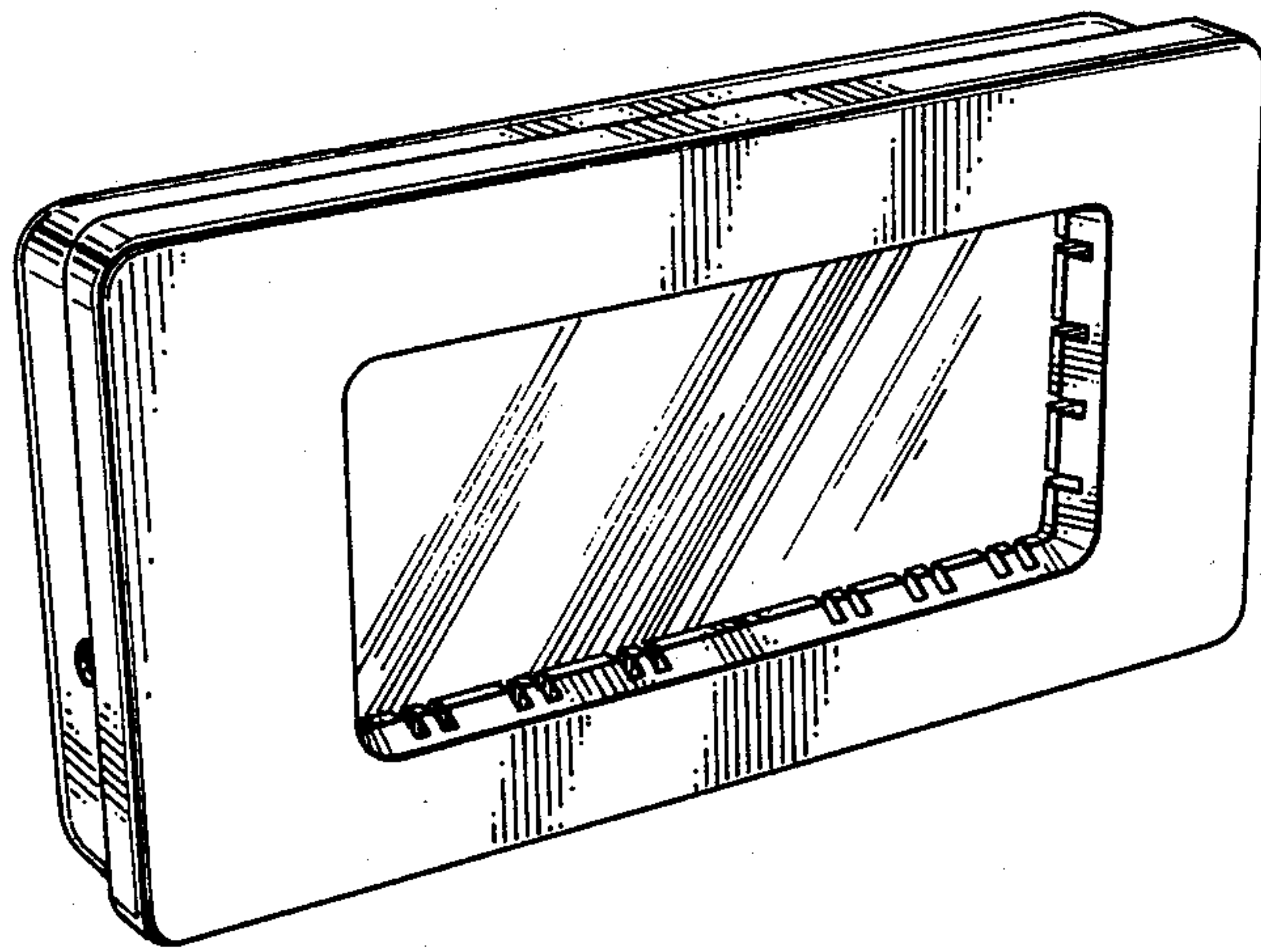


Fig. 2

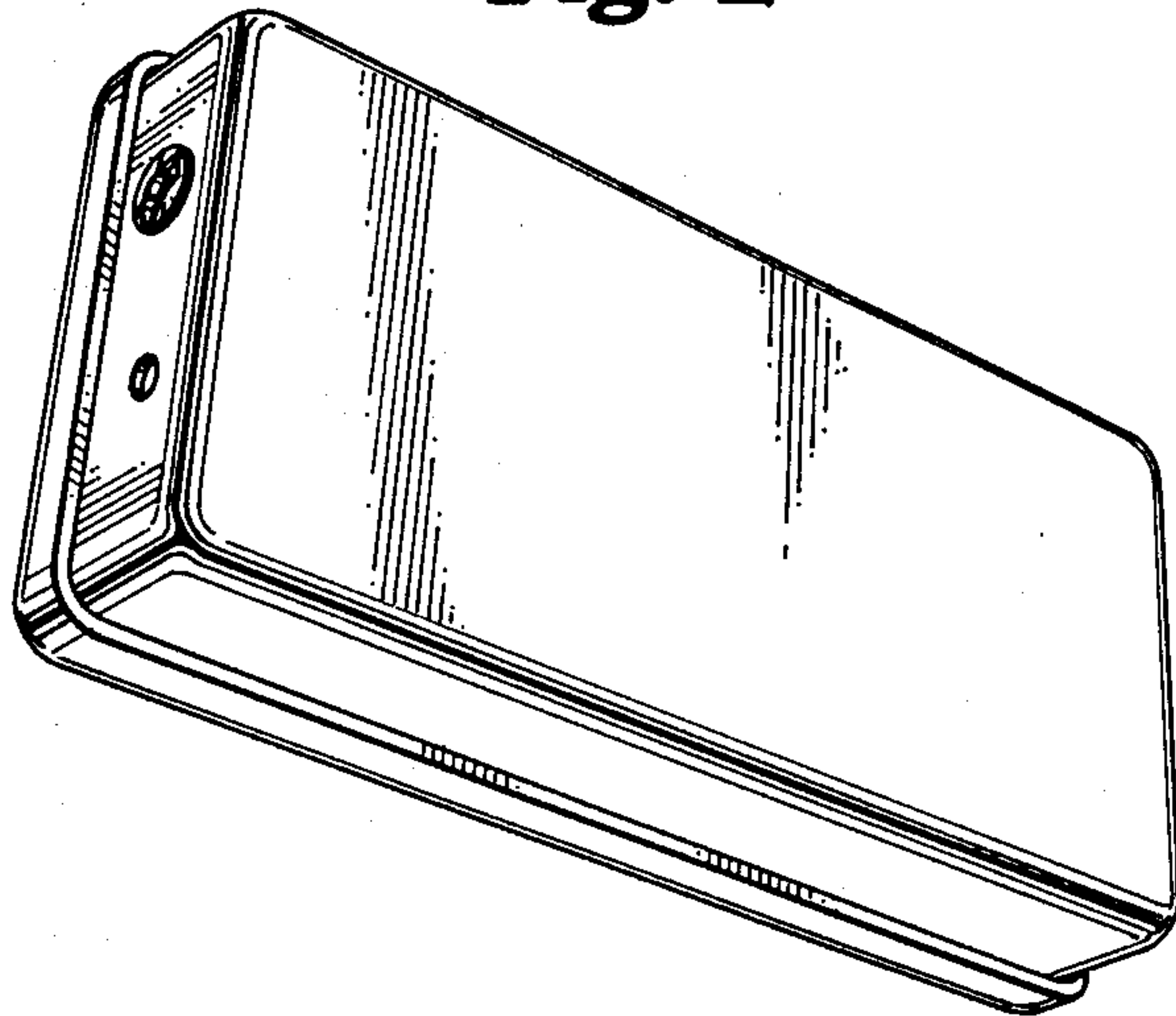


Fig. 3

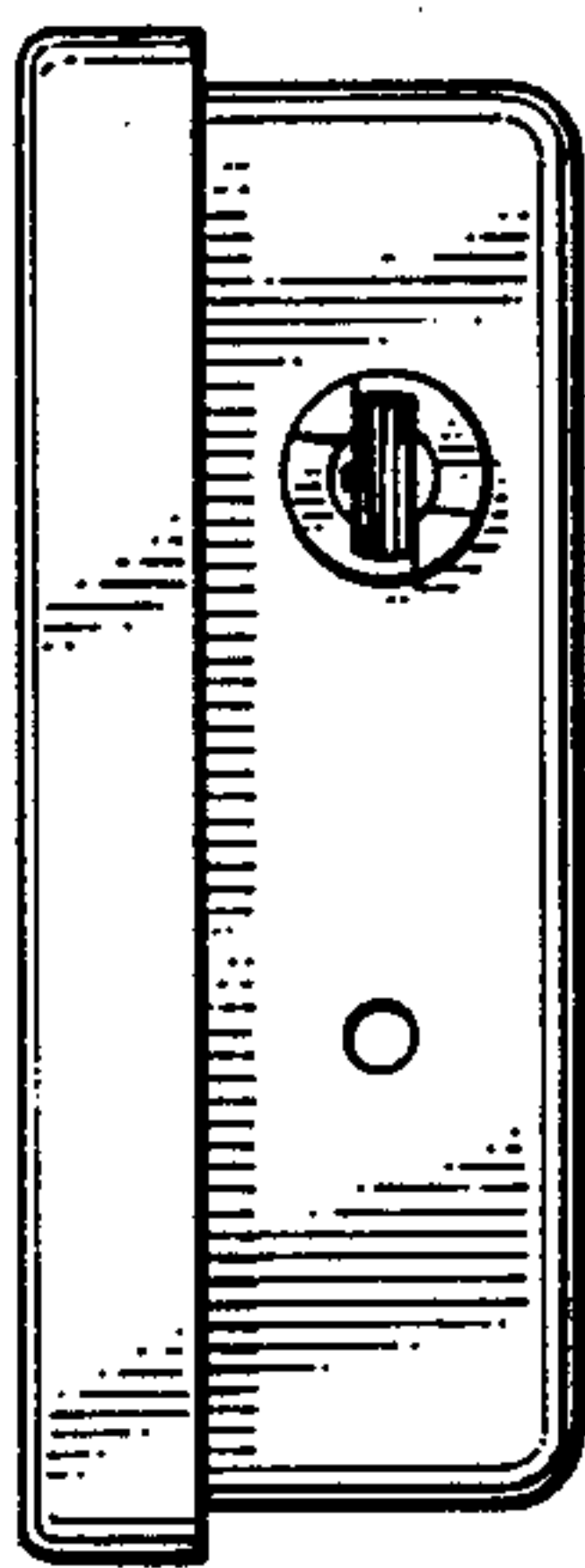


Fig. 4

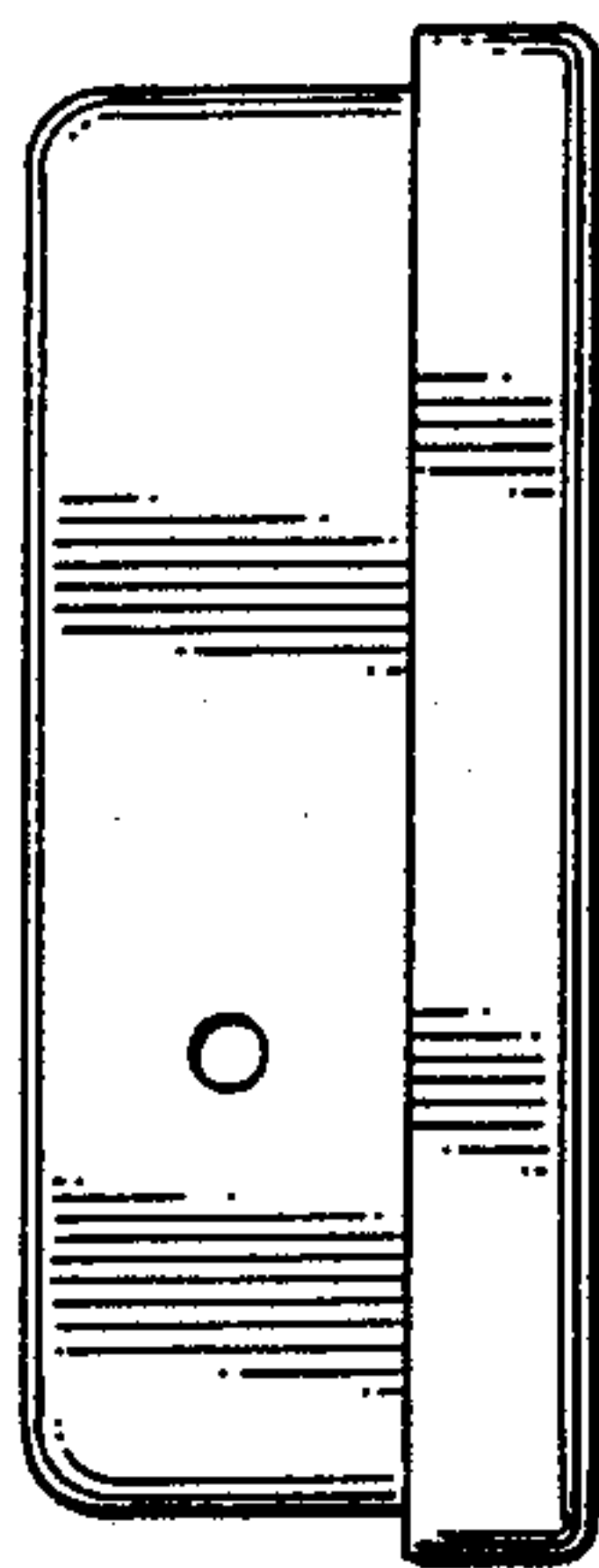


Fig. 5

