

[54] SHIELD FOR A SUPERCONDUCTING MAGNET

[75] Inventors: Kinya Matsutani, Yokohama; Hirotsugu Ohguma, Tokyo, both of Japan

[73] Assignee: Kabushiki Kaisha Toshiba, Kawasaki, Japan

[\*\*] Term: 14 Years

[21] Appl. No.: 101,164

[22] Filed: Sep. 25, 1987

[30] Foreign Application Priority Data

Mar. 27, 1987 [JP] Japan ..... 62-11244  
[52] U.S. Cl. .... D13/99; D24/1.1  
[58] Field of Search ..... D13/99; D24/1.1, 2; 335/301, 299

[56] References Cited

FOREIGN PATENT DOCUMENTS

0196511 10/1986 European Pat. Off. .... 335/301

Primary Examiner—Susan J. Lucas  
Assistant Examiner—Joel Sincavage  
Attorney, Agent, or Firm—Oblon, Spivak, McClelland, Maier & Neustadt

[57] CLAIM

The ornamental design for a shield for a superconducting magnet, as shown and described.

DESCRIPTION

FIG. 1 is a front and right side perspective view of a shield for a superconducting magnet showing our new design;  
FIG. 2 is a front elevational view thereof, the rear elevation being identical in appearance to the front elevation;  
FIG. 3 is a right side elevational view thereof, the left side being identical in appearance to the right side;  
FIG. 4 is a top plan view thereof;  
FIG. 5 is a bottom plan view thereof;  
FIG. 6 is a sectional view thereof taken on line 6—6' of FIG. 3; and  
FIG. 7 is a sectional view thereof taken on line 7—7' of FIG. 2.

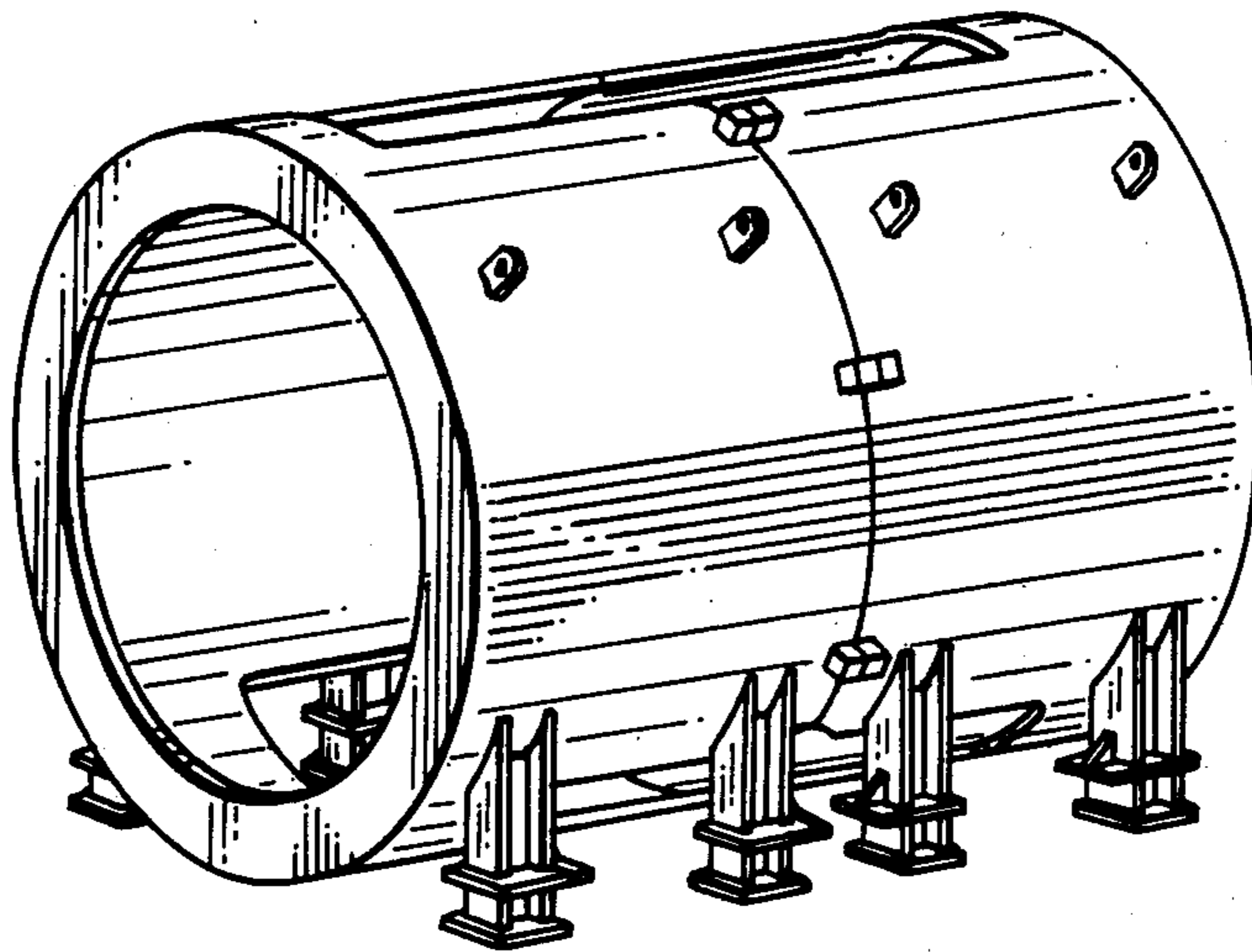


FIG. 1

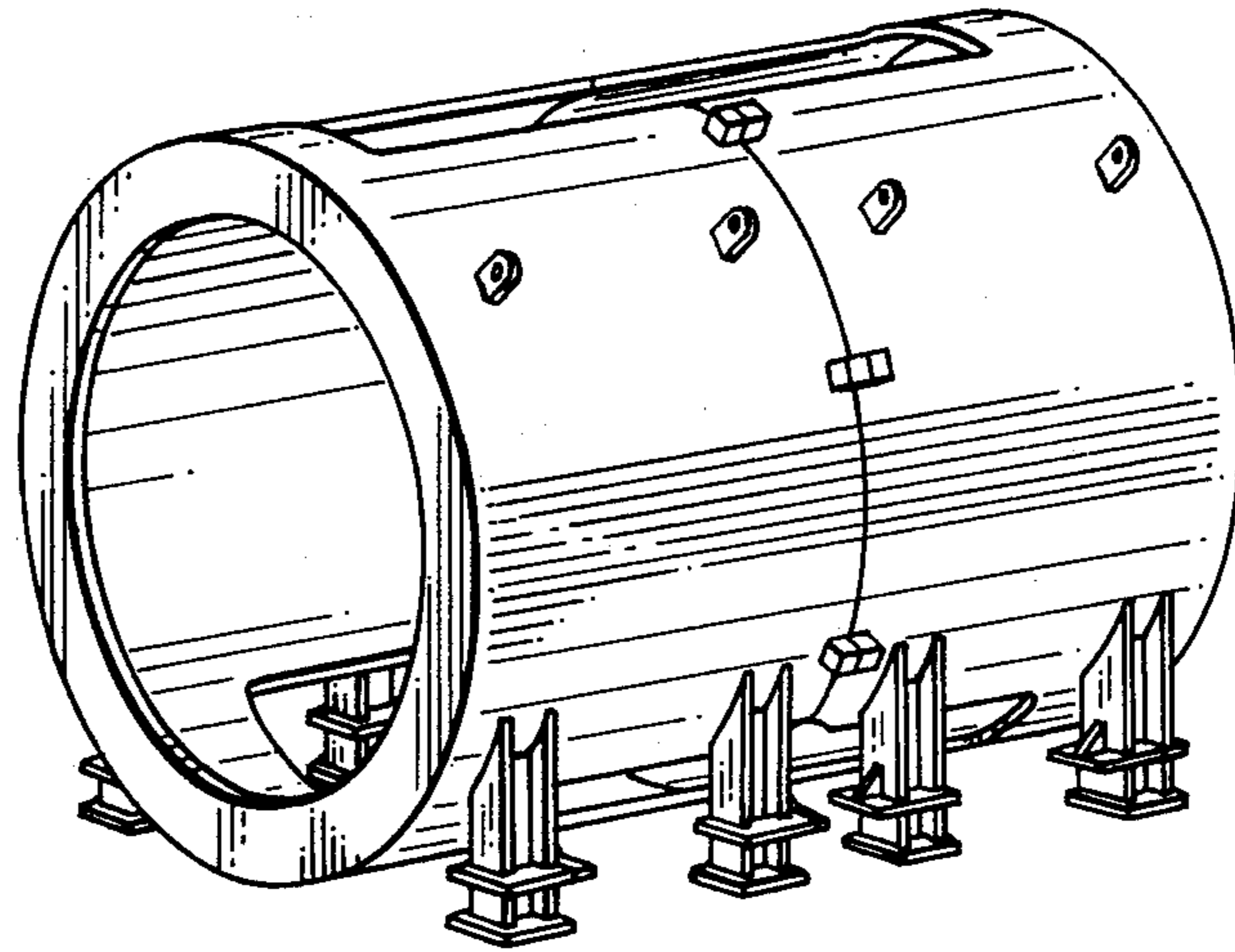


FIG. 2

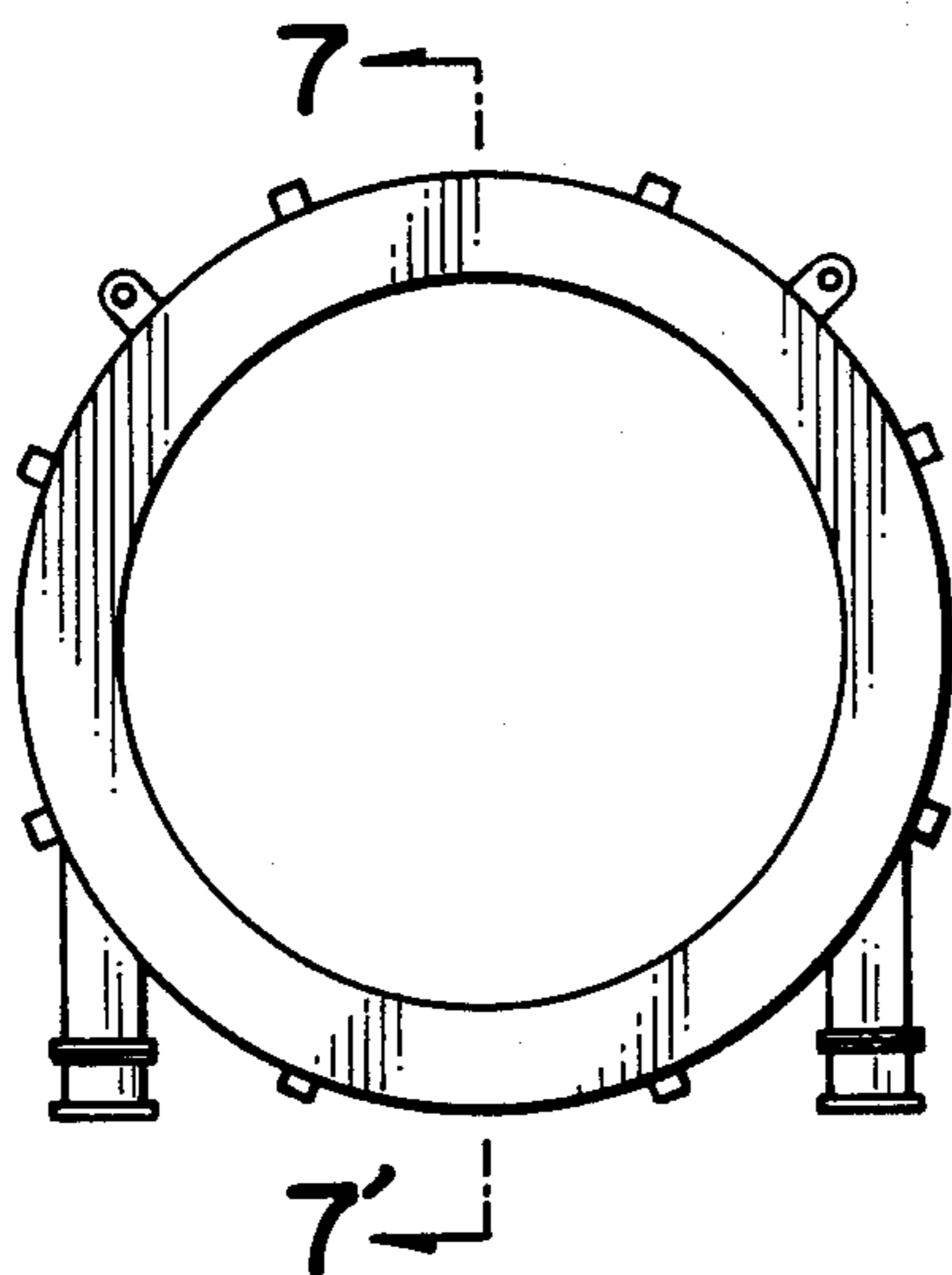


FIG. 3

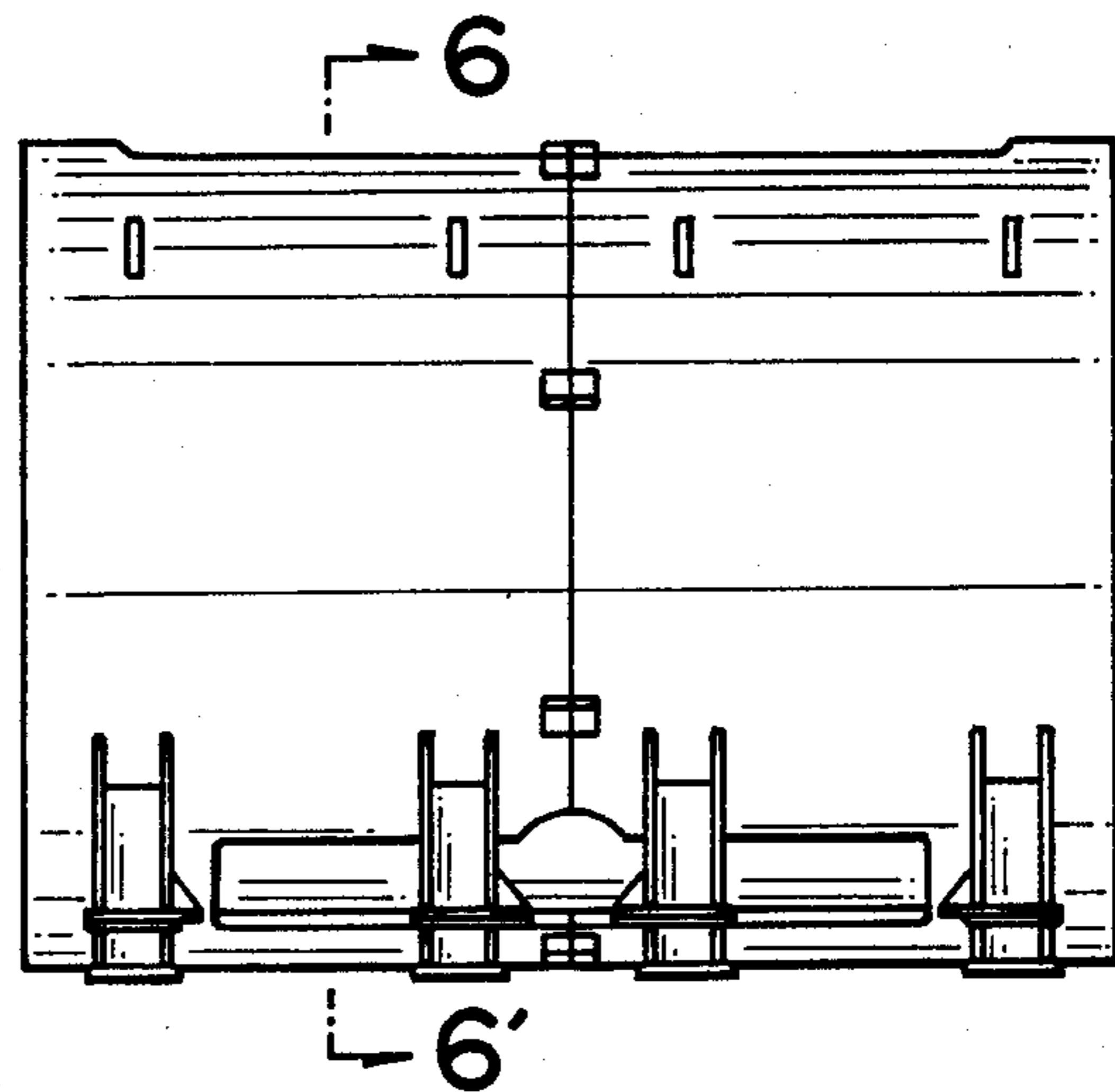


FIG. 4

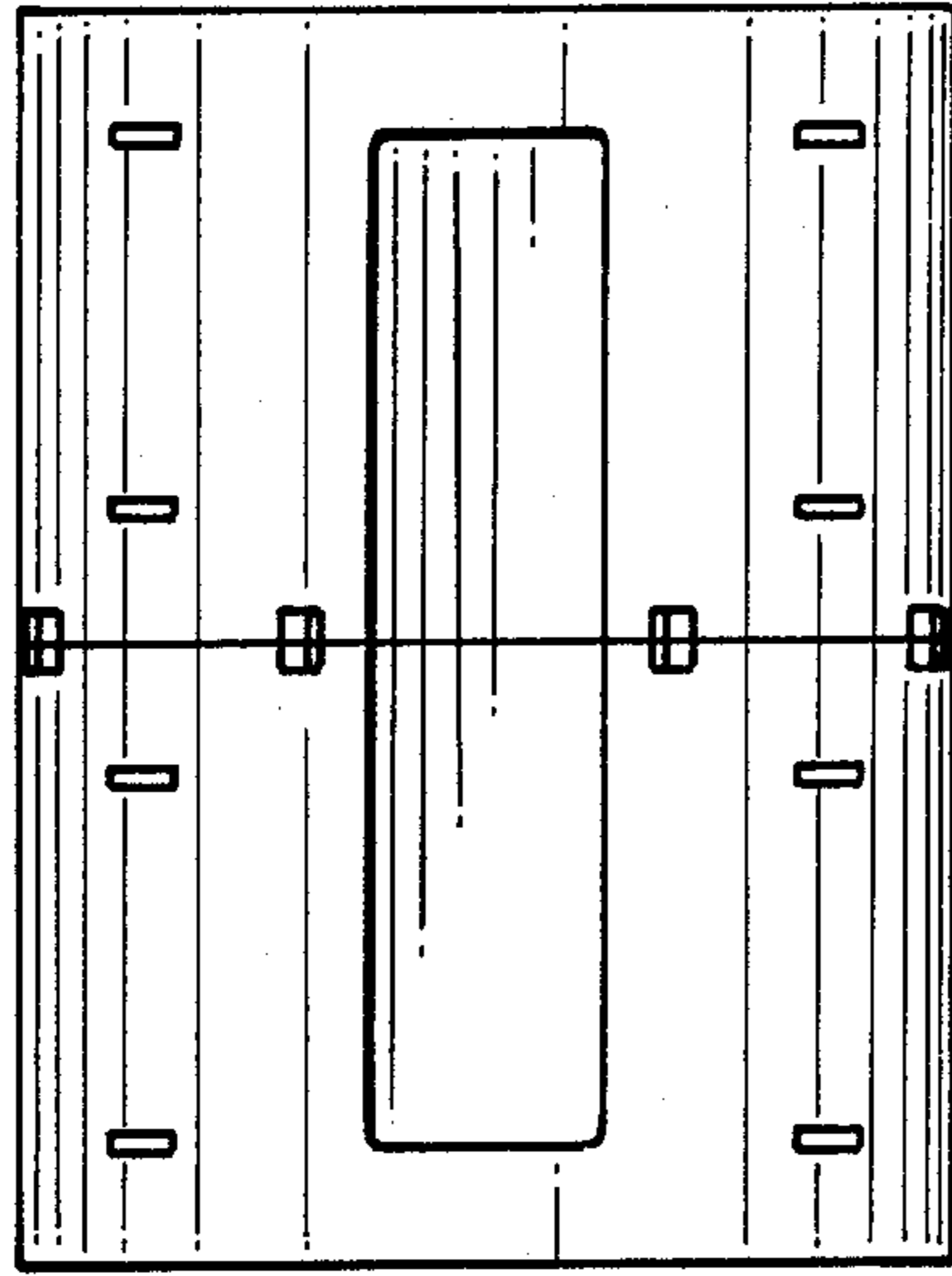


FIG. 5

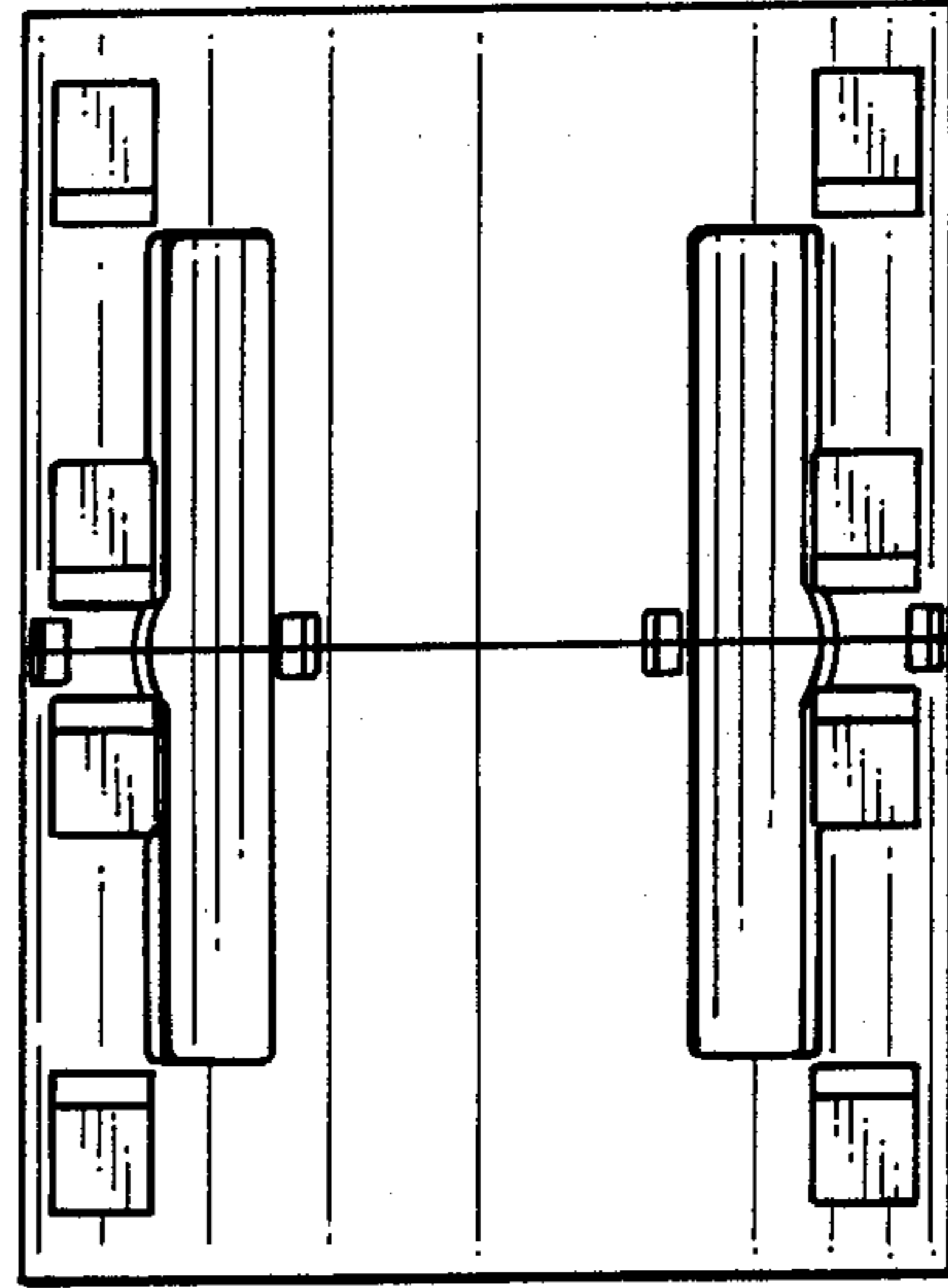


FIG. 6

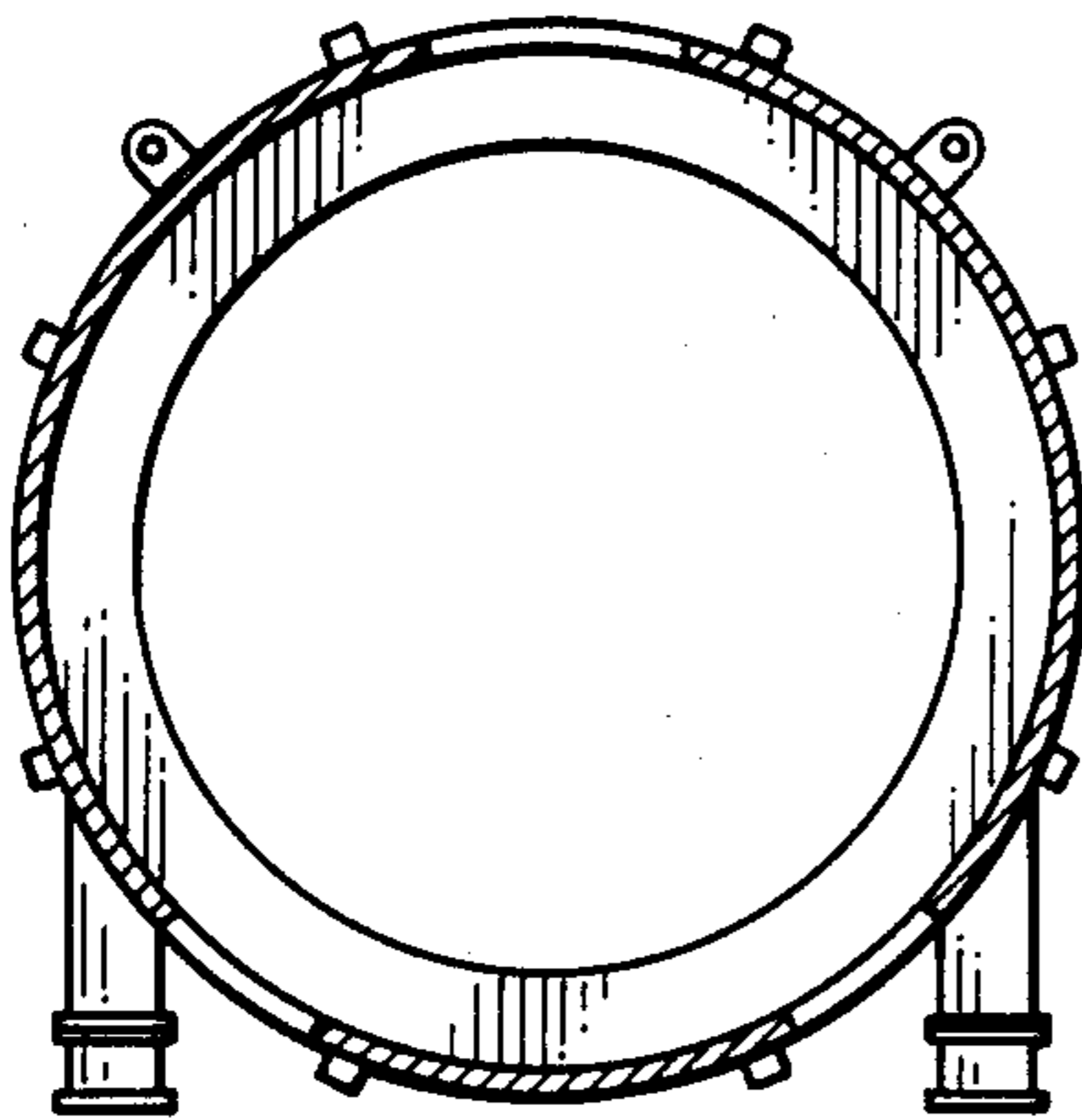


FIG. 7

