

[54] TERMINAL BLOCK

[75] Inventor: Gerald L. Shimirak, Apex, N.C.

[73] Assignee: Raychem Corporation, Menlo Park, Calif.

[\*\*] Term: 14 Years

[21] Appl. No.: 70,836

[22] Filed: Jul. 7, 1987

[52] U.S. Cl. .... D13/24

[58] Field of Search ..... D13/24, 27-31; 439/521, 578, 586-592, 595, 598, 709-712, 488

[56] References Cited

U.S. PATENT DOCUMENTS

- D. 220,569 4/1971 De Carlo ..... D13/24
- 3,078,438 2/1963 Szental ..... 439/710
- 3,467,768 9/1969 Shorey ..... 439/521 X

- 4,600,261 7/1986 Debbaut ..... 439/521
- 4,630,882 12/1986 Naylor et al. .... 439/709 X
- 4,734,061 3/1988 Randall, Jr. et al. .... 439/271 X

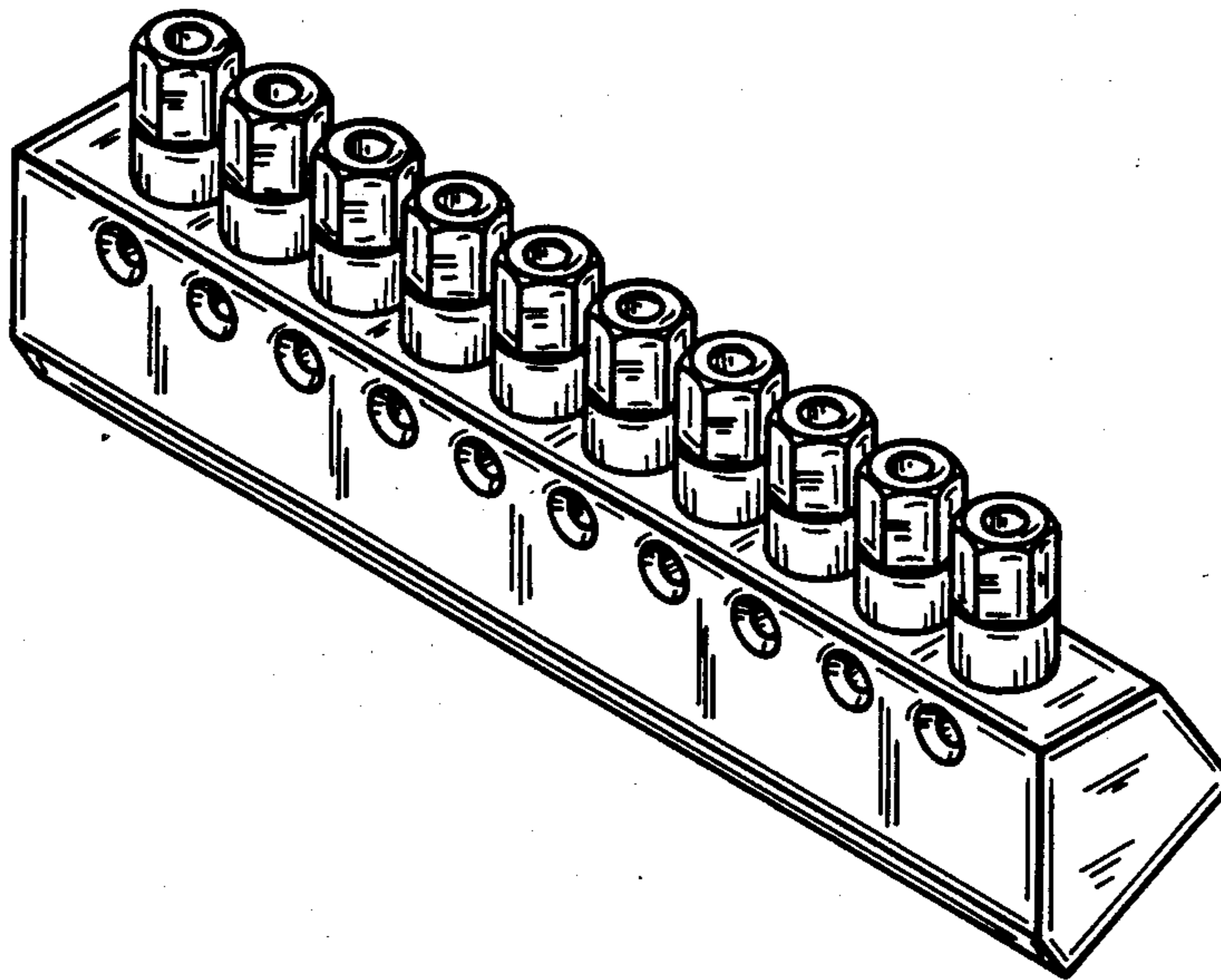
Primary Examiner—Susan J. Lucas  
Attorney, Agent, or Firm—A. Stephen Zavell; Herbert G. Burkard

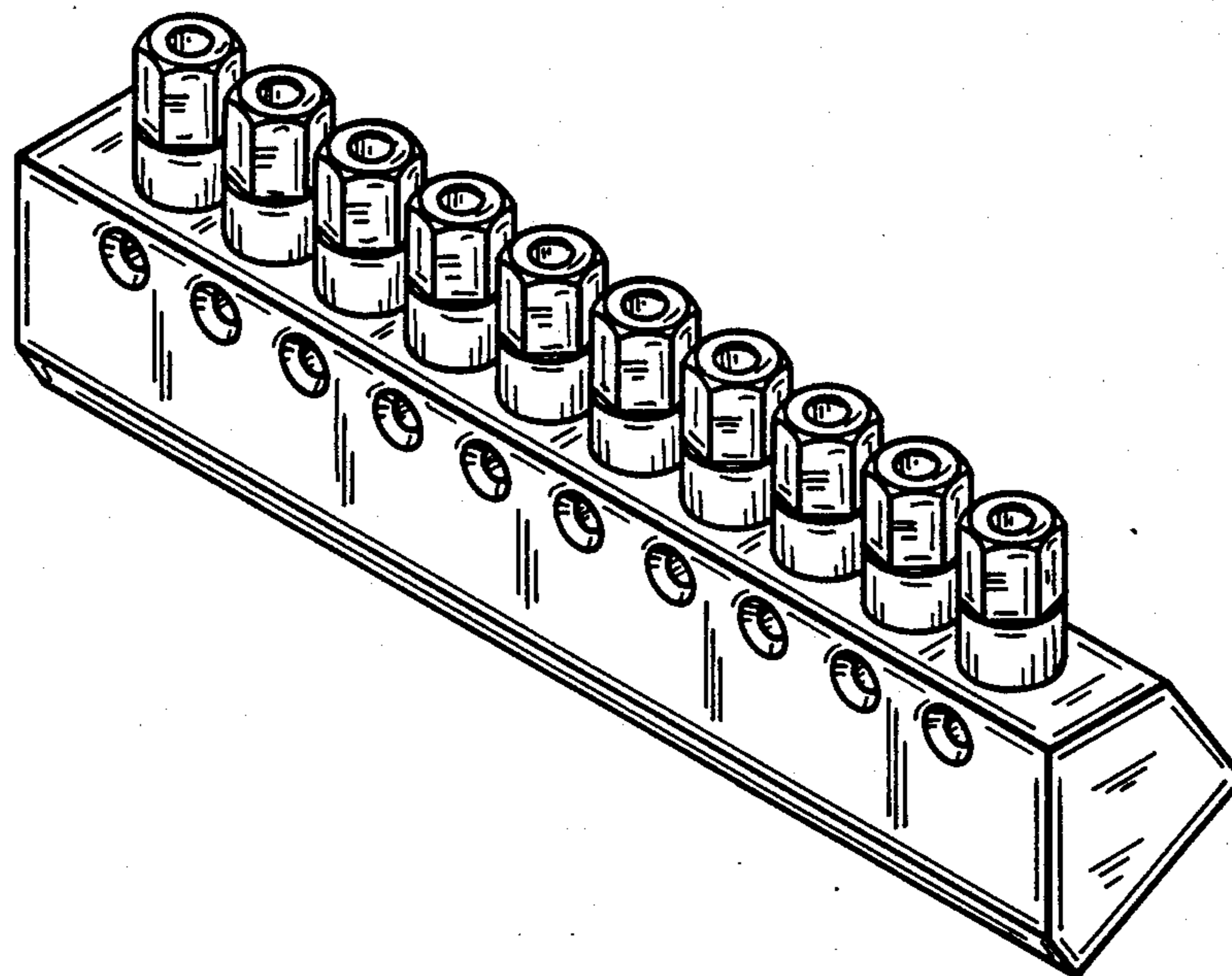
[57] CLAIM

The ornamental design for a terminal block, as shown and described.

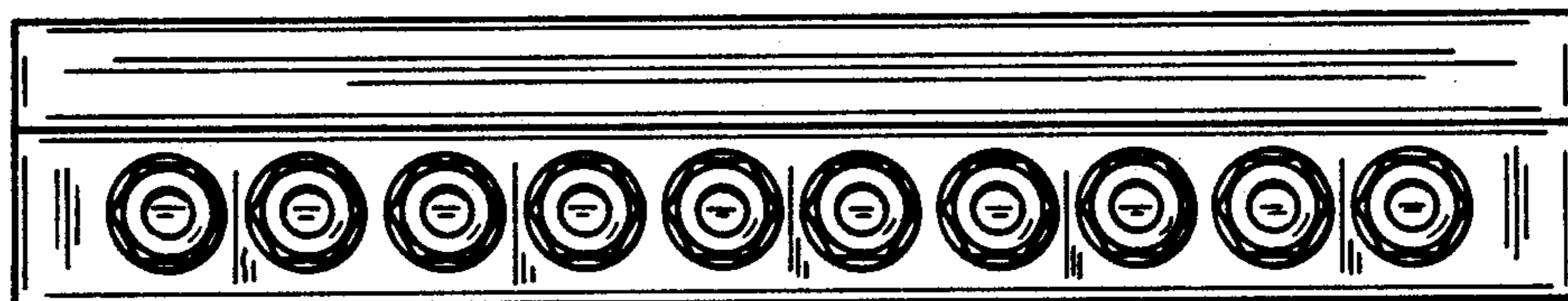
DESCRIPTION

FIG. 1 is a perspective view of the terminal block showing my new design;  
FIG. 2 is a top plan view thereof;  
FIG. 3 is a bottom plan view thereof;  
FIG. 4 is a front elevational view thereof;  
FIG. 5 is a rear elevational view thereof;  
FIG. 6 is a right side elevational view thereof; and  
FIG. 7 is a left side elevational view thereof.

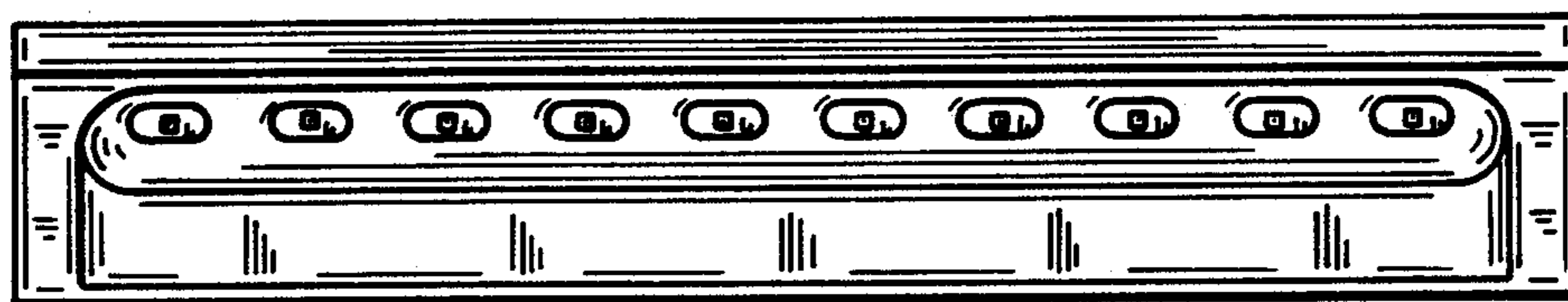




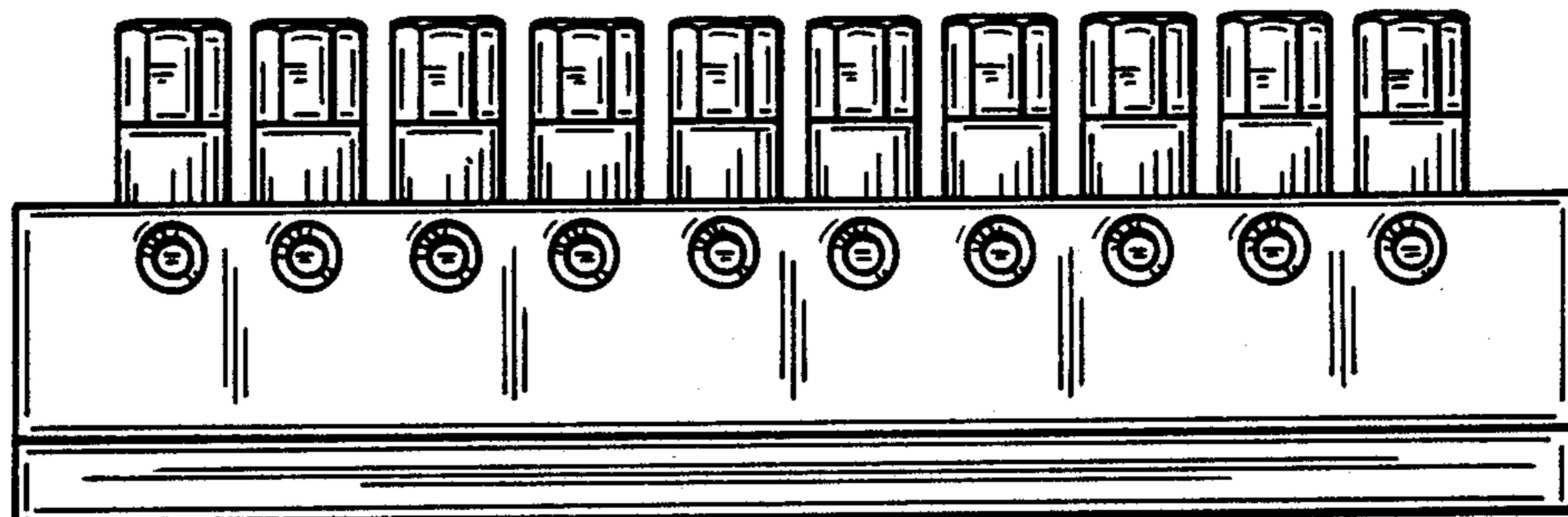
*FIG\_1*



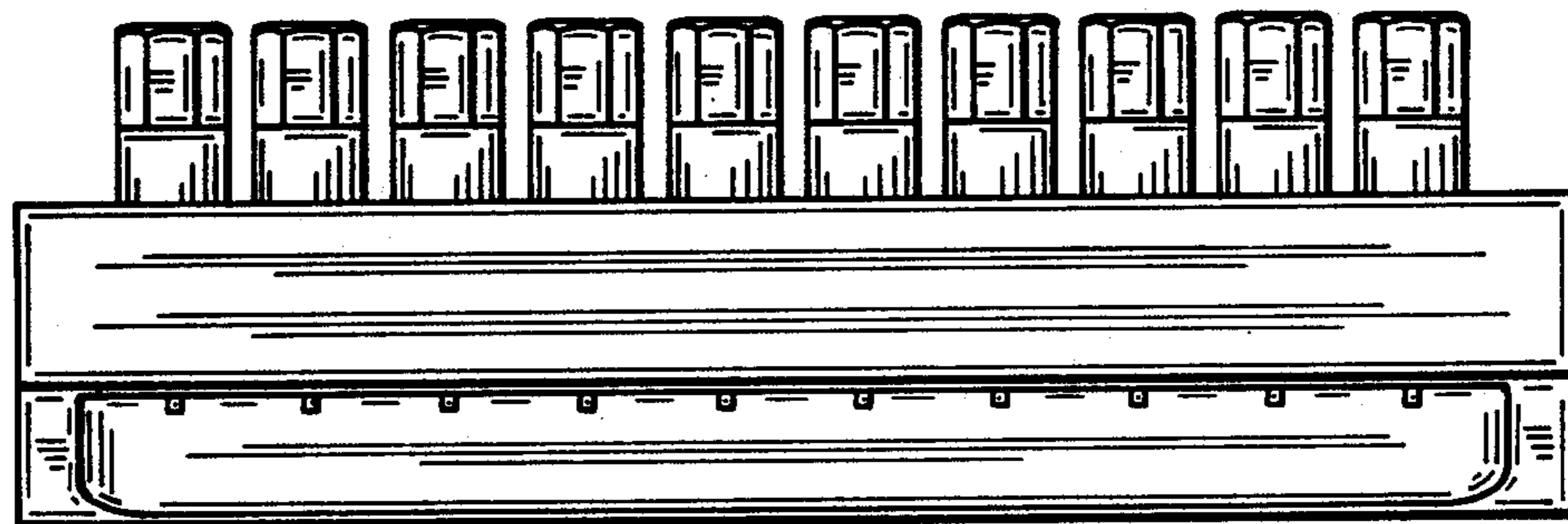
*FIG\_2*



*FIG\_3*



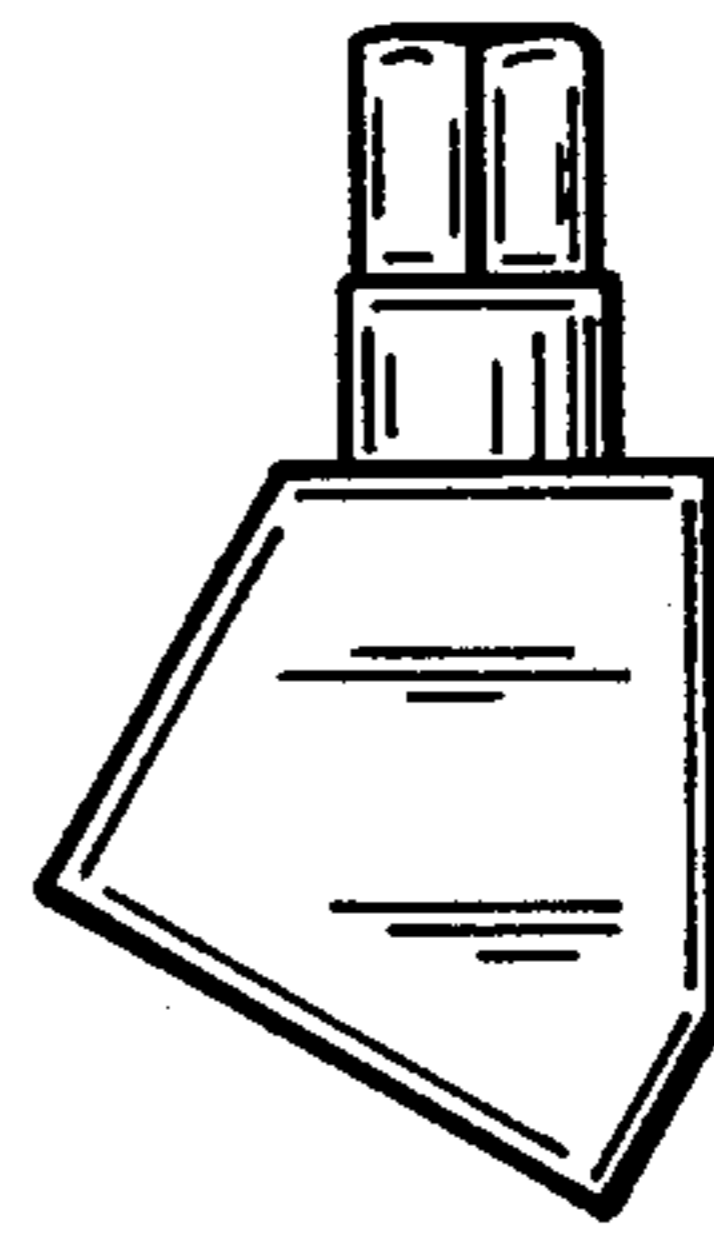
**FIG\_4**



**FIG\_5**



**FIG\_6**



**FIG\_7**