

[54] **COMBINED CAR SEAT AND STROLLER**

[76] **Inventors: Lionel Bolanos; Sandra Bolds, both of P.O. Box 16885, Lubbock, Tex. 79490**

[\*\*] **Term: 14 Years**

[21] **Appl. No.: 84,741**

[22] **Filed: Aug. 13, 1987**

[52] **U.S. Cl. .... D12/129**

[58] **Field of Search ..... D12/128, 129; 280/30, 280/47.37 R, 643, 47.4, 43.24; 297/250, 253, 254, 255, 256; D6/333**

4,763,911 8/1988 Gebhard et al. .... D12/129

4,768,795 9/1988 Mar ..... D12/129

4,822,064 4/1989 Hunter ..... 280/643

4,828,281 5/1989 Sanchas ..... 280/30

*Primary Examiner*—Wallace R. Burke  
*Assistant Examiner*—Kay H. Chin  
*Attorney, Agent, or Firm*—Jerry T. Kearns

[57] **CLAIM**

The ornamental design for a combined car seat and stroller, as shown and described.

**DESCRIPTION**

FIG. 1 is a front elevational view of a combined car seat and stroller showing our new design;  
 FIG. 2 is a rear elevational view thereof;  
 FIG. 3 is a right side elevational view thereof;  
 FIG. 4 is a left side elevational view thereof;  
 FIG. 5 is a top plan view thereof; and,  
 FIG. 6 is a bottom plan view thereof.

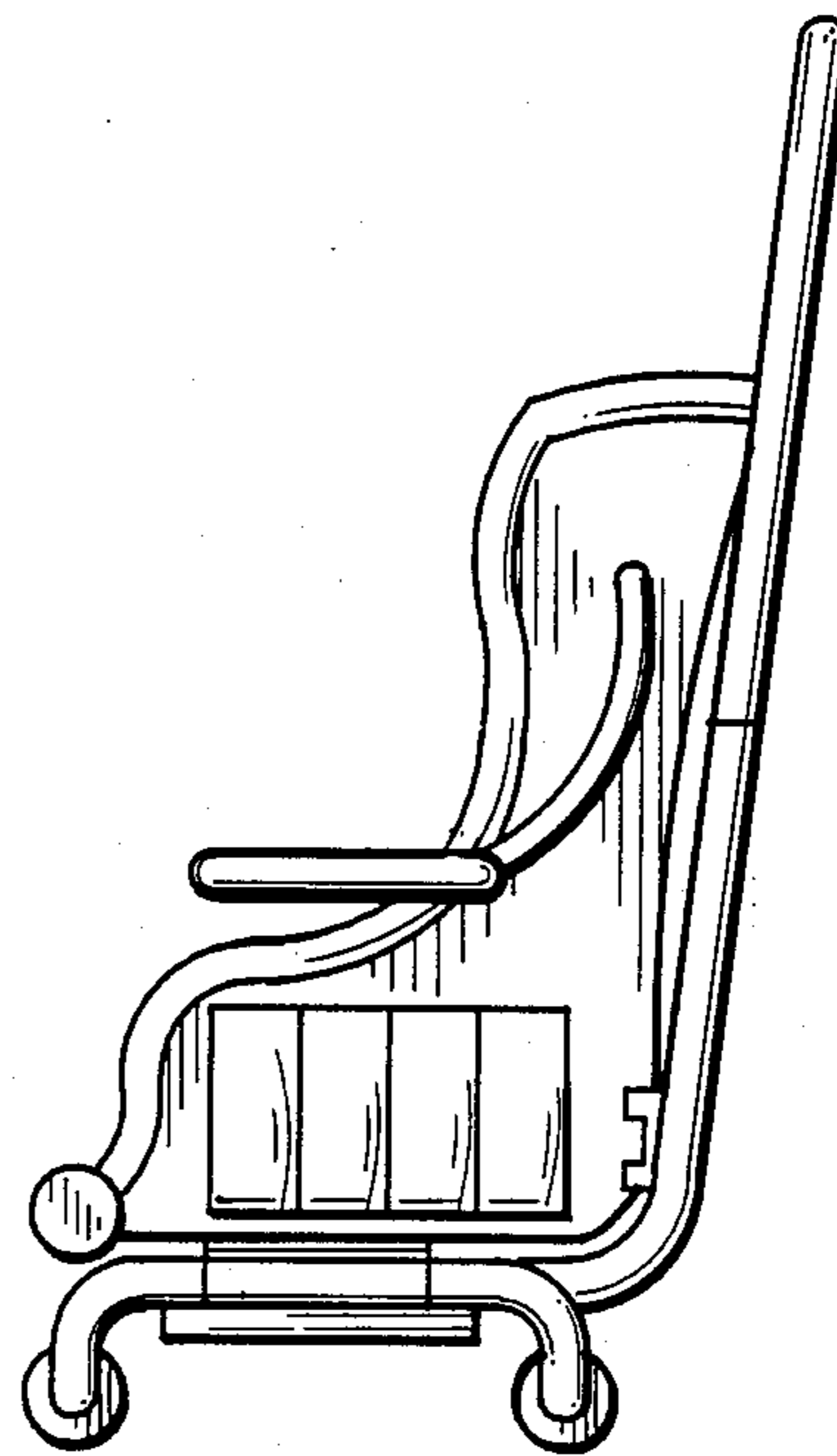
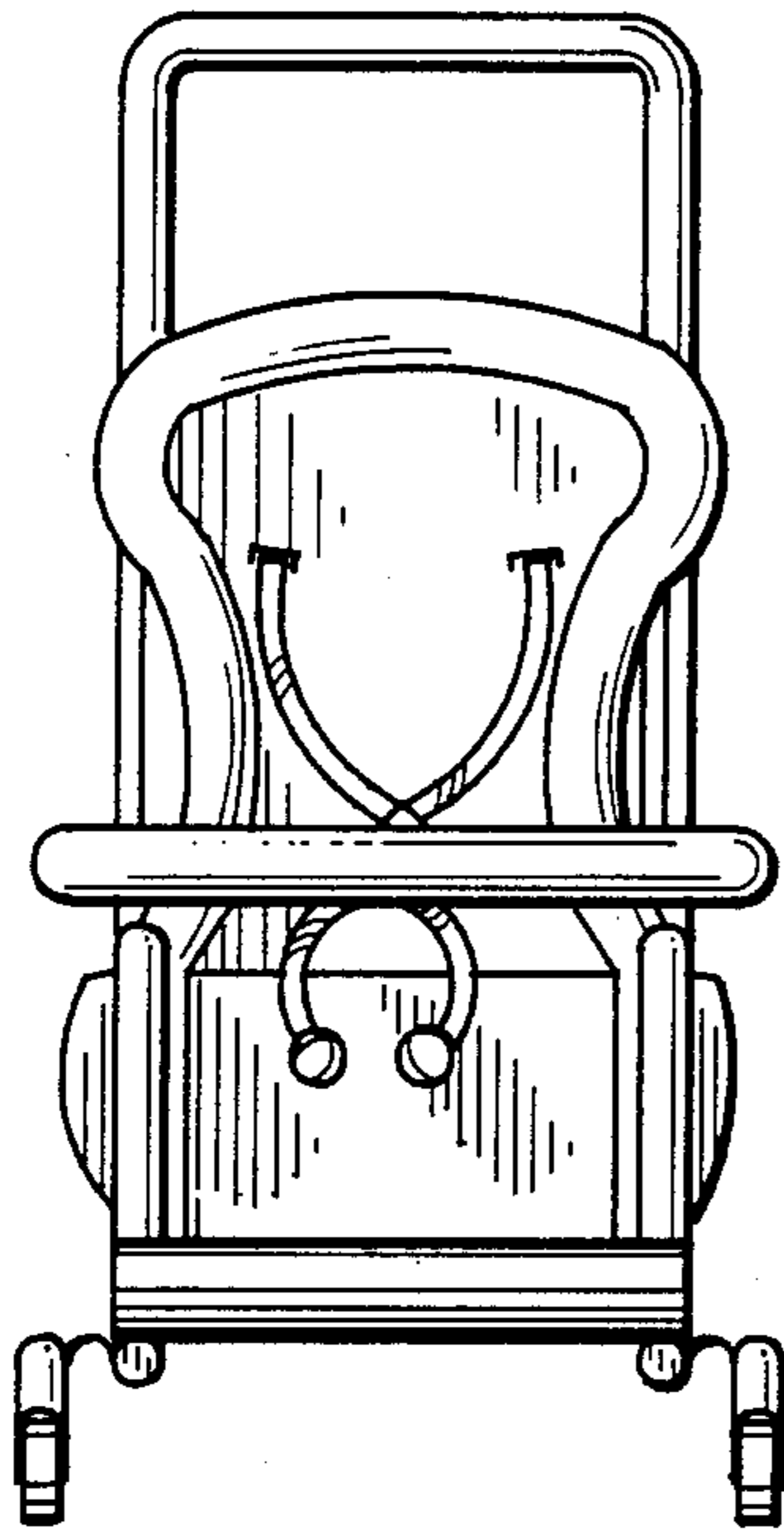
[56] **References Cited**

**U.S. PATENT DOCUMENTS**

D. 298,019 10/1988 McMillen ..... D12/129

3,829,113 8/1974 Epelbaum ..... D12/129

4,685,688 8/1987 Edwards ..... 280/30



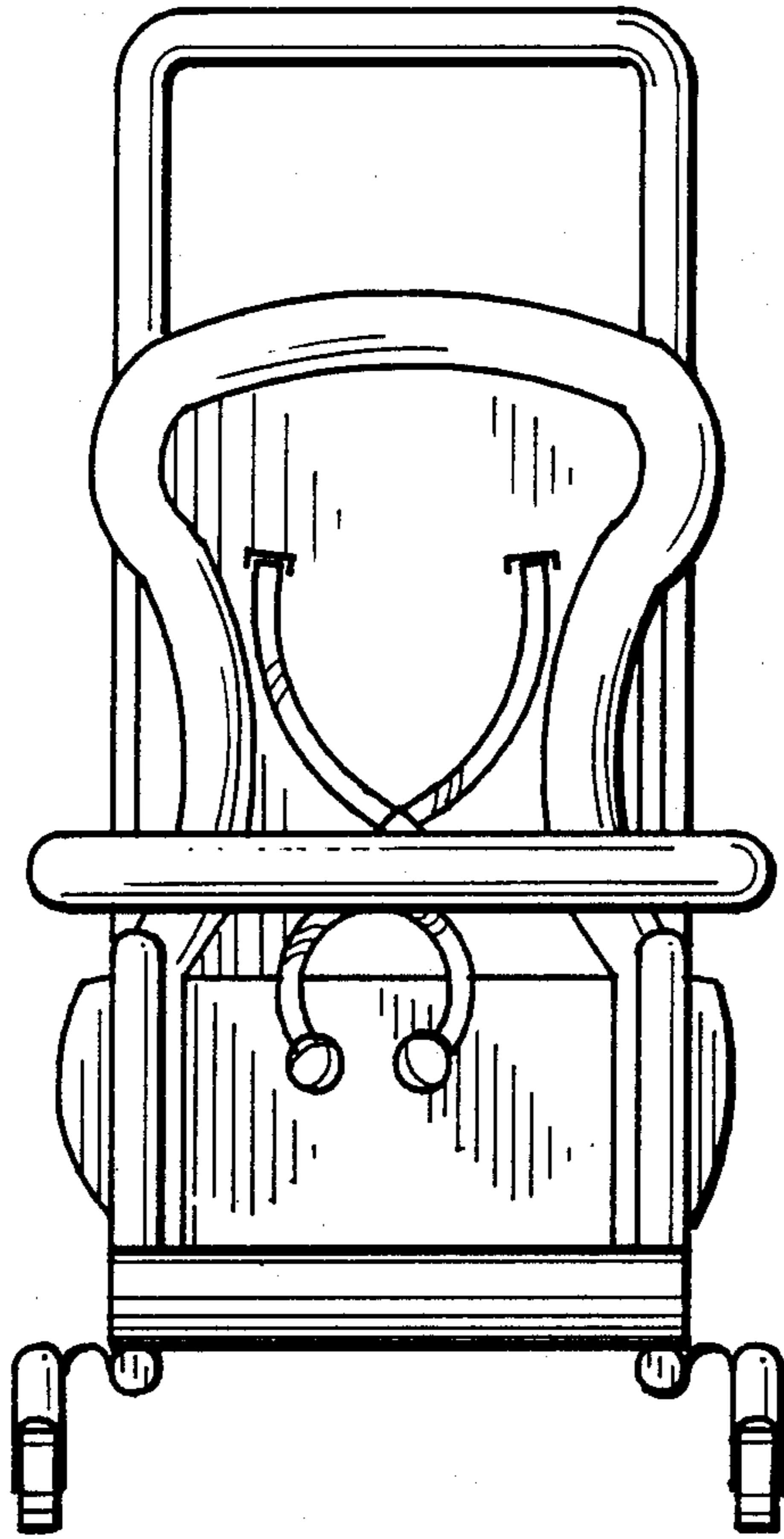


Fig. 1

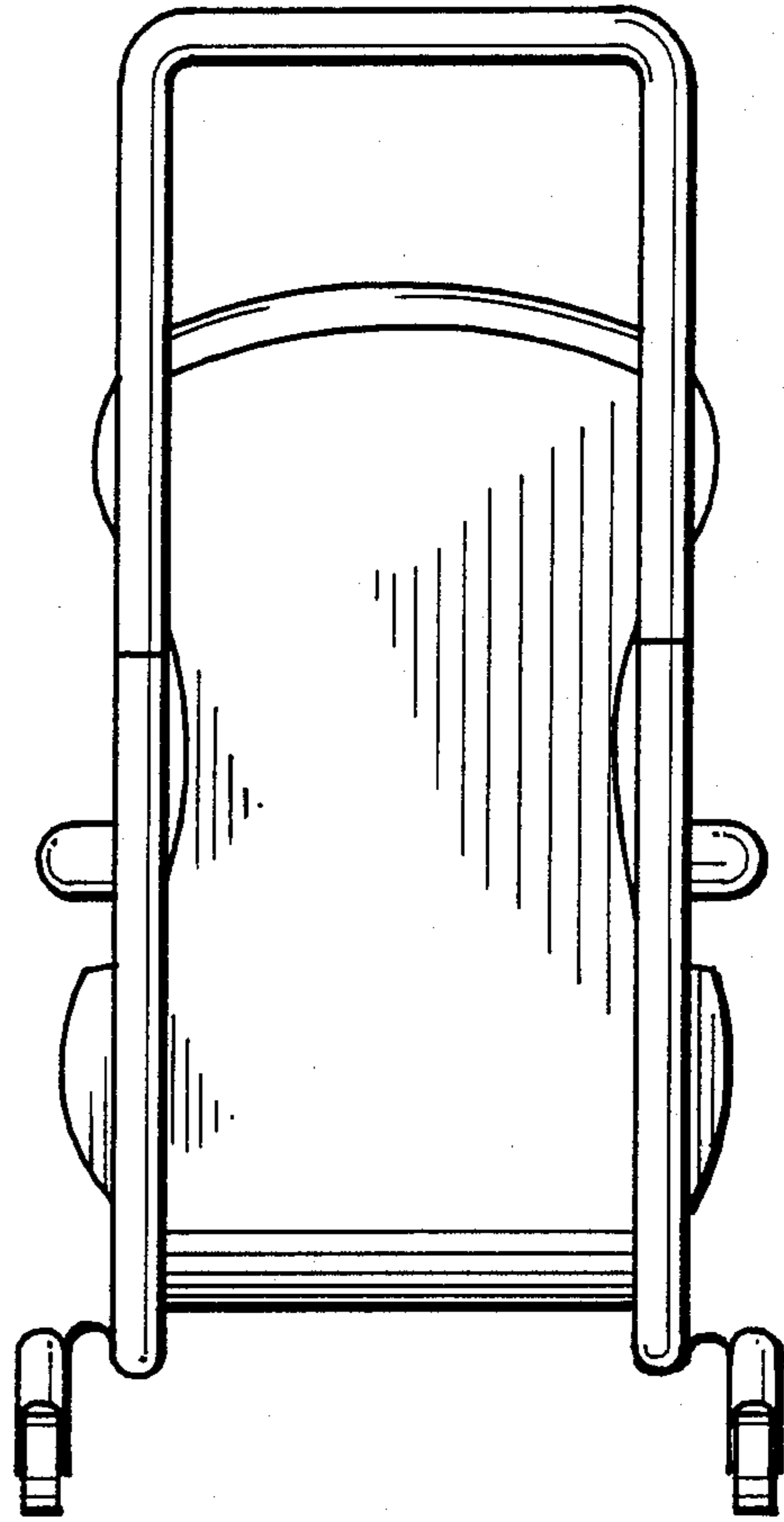


Fig. 2

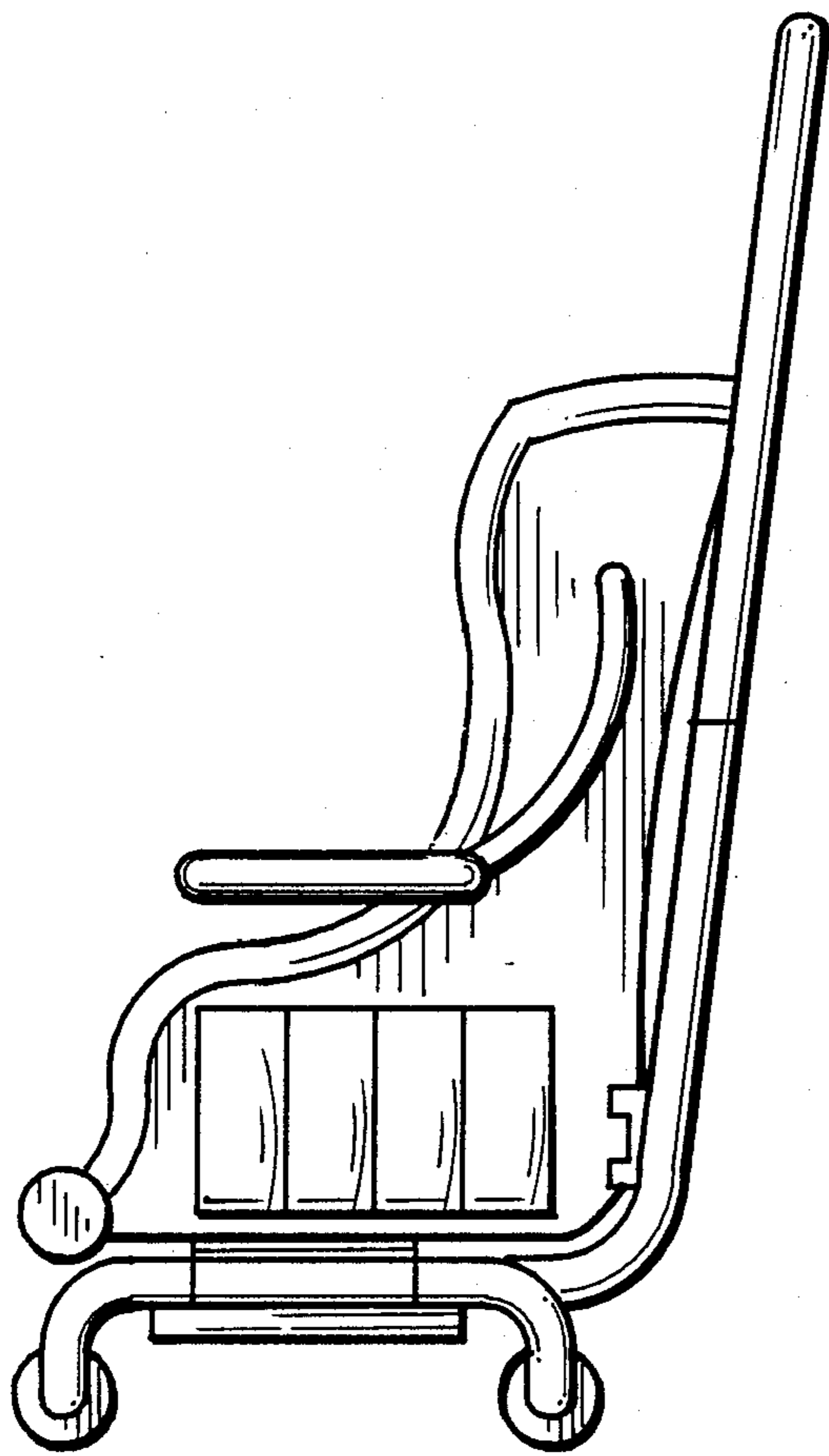


Fig. 3

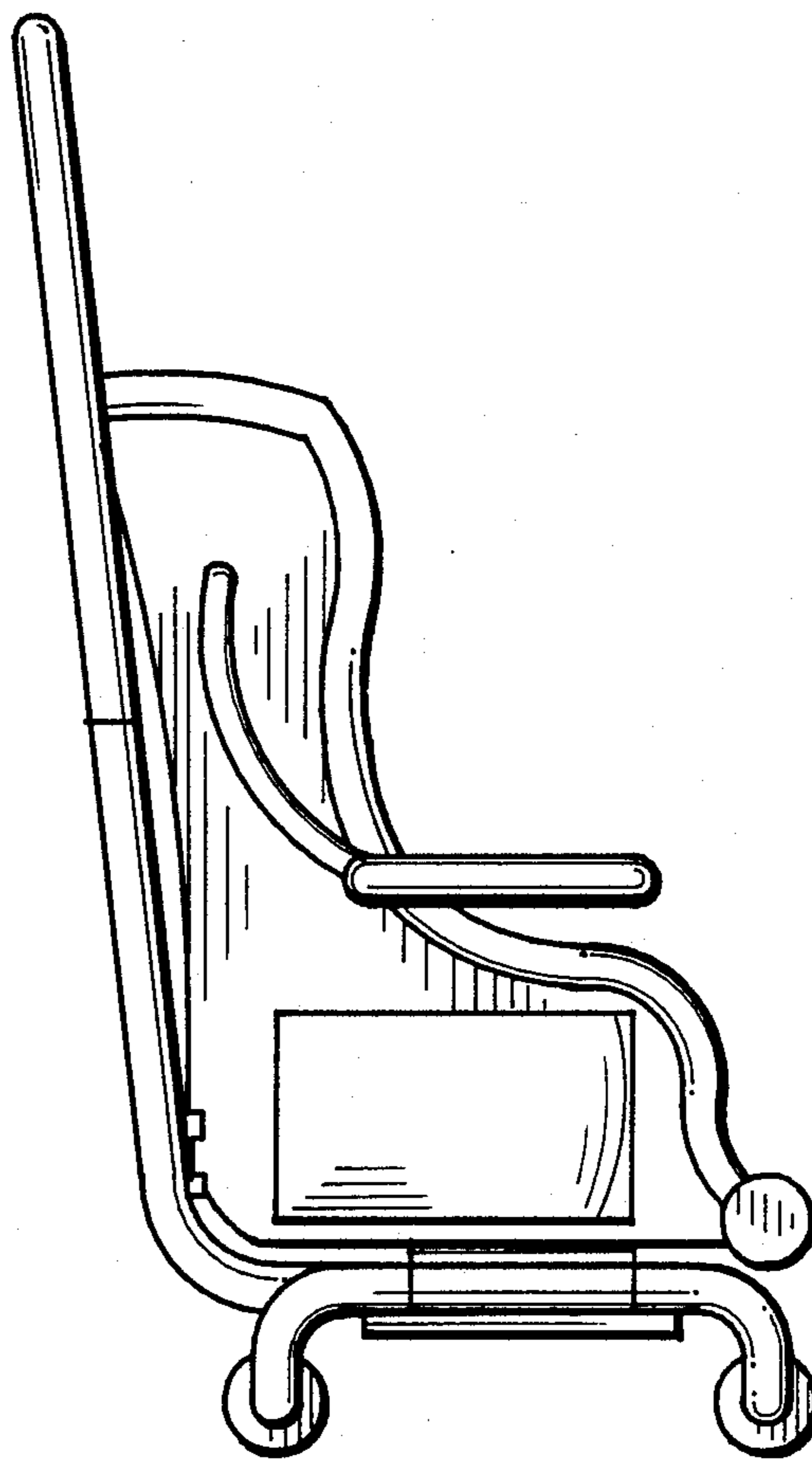


Fig. 4

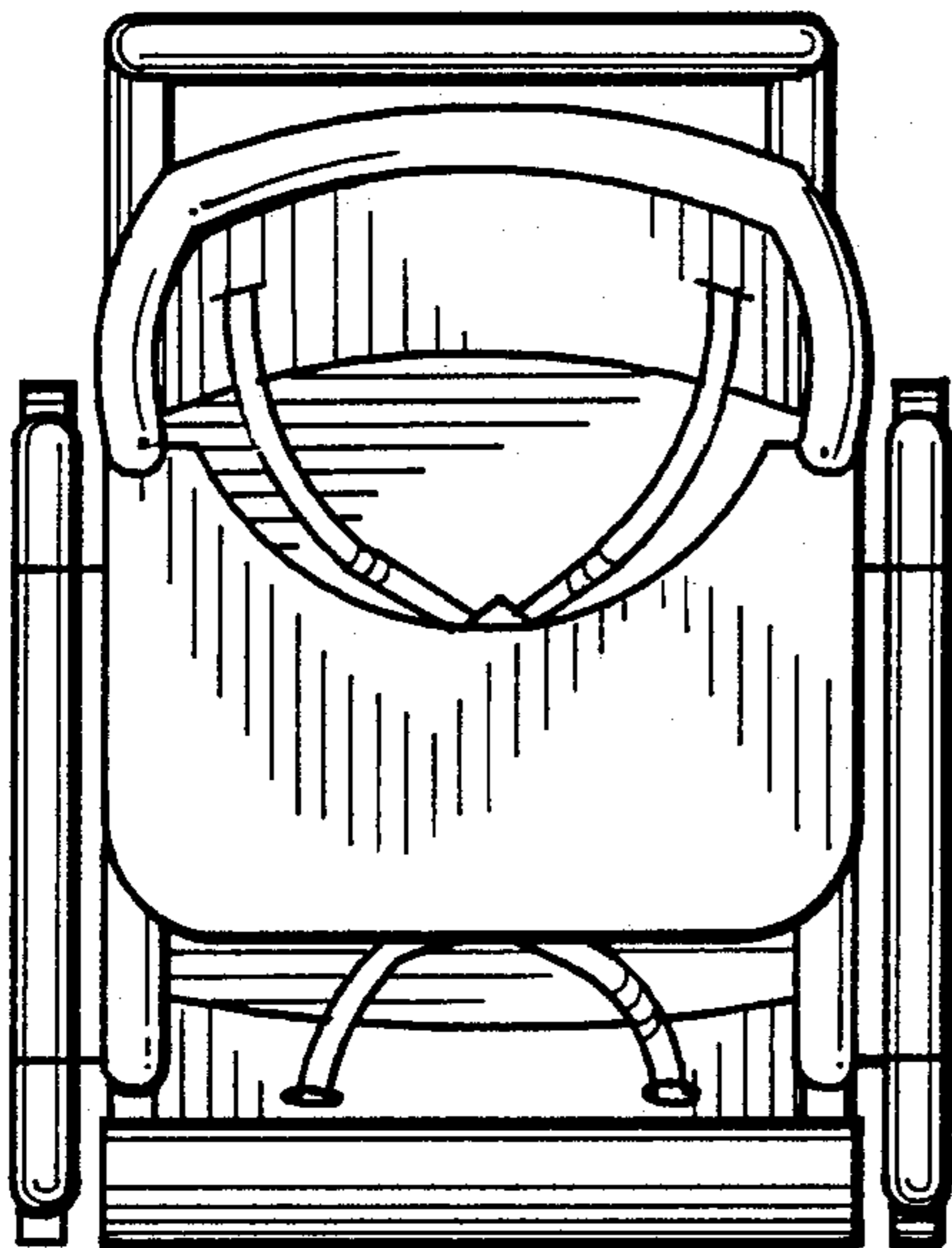


Fig. 5

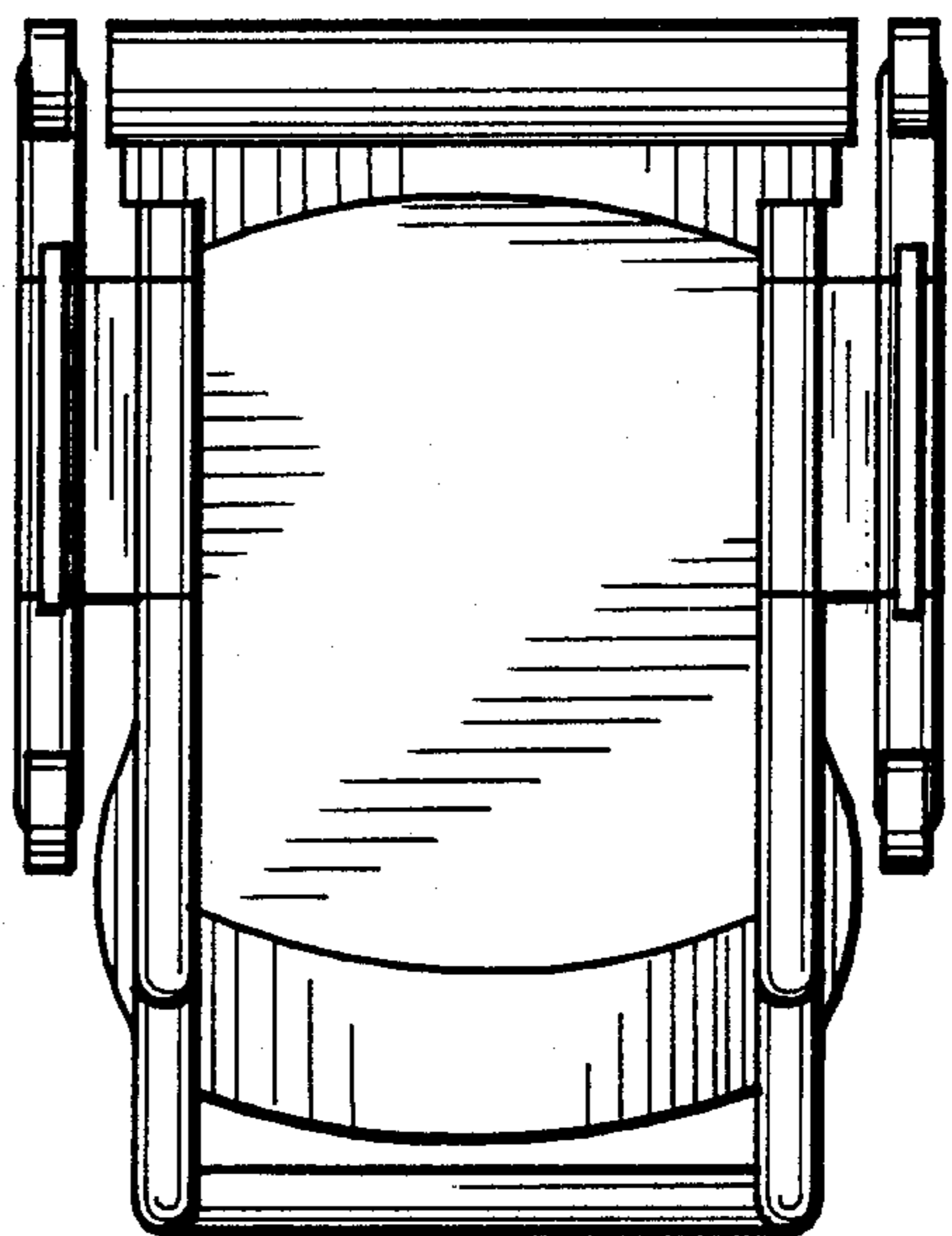


Fig. 6