

[54] LIGHTED CROSS GUARD SIGN  
 [76] Inventor: Clayton H. Hansel, 1993 Yeast Ave., Cincinnati, Ohio 45225  
 [\*\*] Term: 14 Years  
 [21] Appl. No.: 857,823  
 [22] Filed: Apr. 28, 1986  
 [52] U.S. Cl. .... D10/114; D10/109  
 [58] Field of Search ..... D10/114, 109; 340/81, 340/84, 107, 114, 321; 40/586

4,042,919 8/1977 Patty ..... 340/321  
 4,235,033 11/1980 Eilers ..... 40/586

Primary Examiner—Susan J. Lucas  
 Attorney, Agent, or Firm—Terry M. Gernstein

[57] CLAIM

The ornamental design for a lighted cross guard sign, as shown and described.

DESCRIPTION

FIG. 1 is a top, front, left side perspective view of a lighted cross guard sign showing my new design; FIG. 2 is a top plan view thereof; FIG. 3 is a left side elevational view thereof, the right side being a mirror image except for the omission of the switch.

The octagonal sign housing is translucent, the rear being flat and plain.

[56] References Cited

U.S. PATENT DOCUMENTS

D. 257,614 12/1980 Branner ..... D10/114  
 3,075,174 1/1963 Orszulak ..... D10/114 X  
 3,279,110 10/1966 Lelicoff ..... D10/114 X  
 3,810,091 5/1974 Hoover ..... 340/84



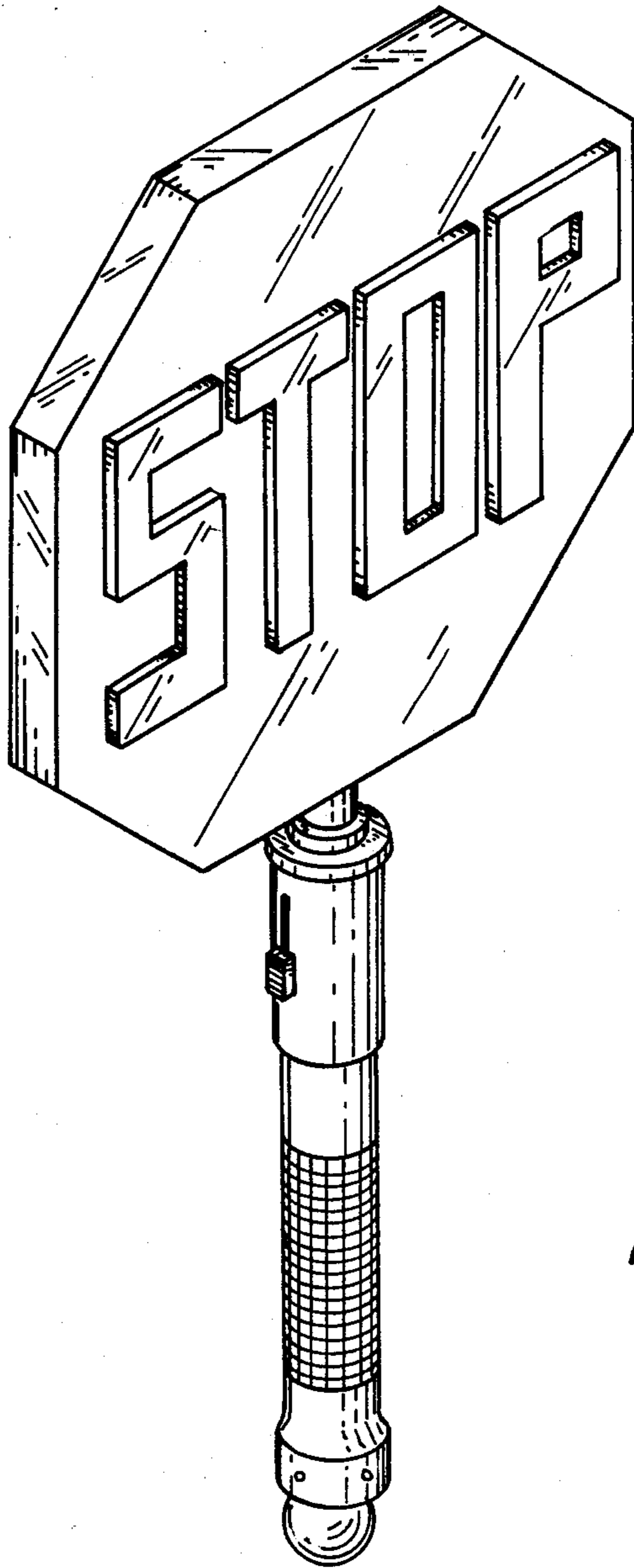


FIG. 1

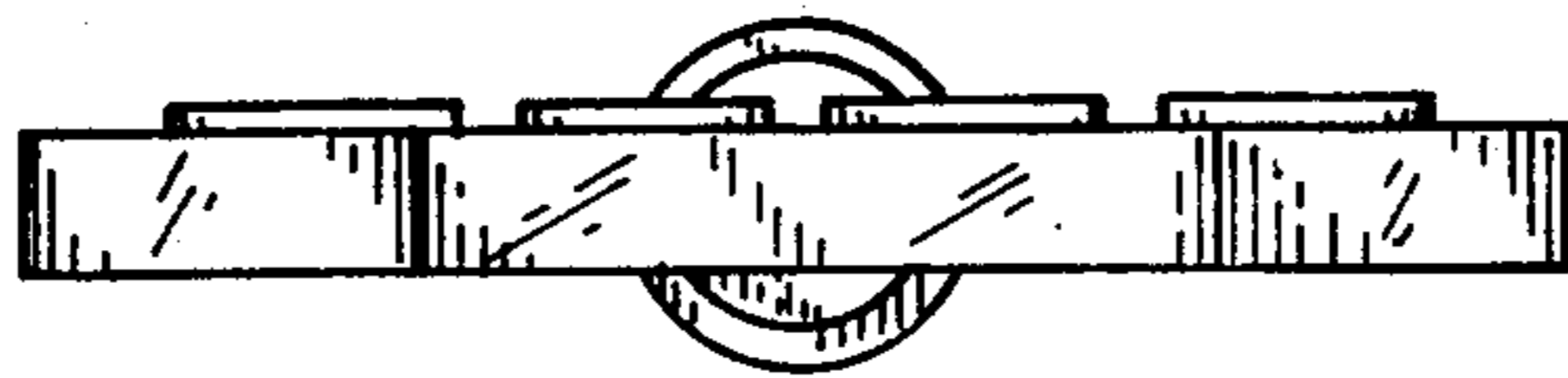


FIG. 2

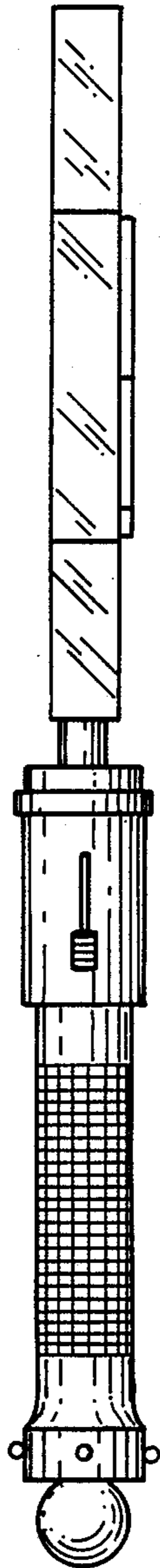


FIG. 3