

[54] **HYDROGEN PEROXIDE DISPENSER**

[76] **Inventors: Thomas E. Turner; Robert A. Wehrle,**  
both of 12182 Snider Rd., Cincinnati,  
Ohio 45249

[\*\*] **Term: 14 Years**

[21] **Appl. No.: 920,876**

[22] **Filed: Oct. 20, 1986**

[52] **U.S. Cl. .... D9/448**

[58] **Field of Search ..... D9/300, 448; 222/335,**  
222/385, 405, 637

[56] **References Cited**

**U.S. PATENT DOCUMENTS**

D. 98,976 11/1935 Bernhardt ..... D9/448  
3,420,413 8/1967 Corsette ..... D9/300

*Primary Examiner—Bernard Ansher*  
*Assistant Examiner—David Jeo*  
*Attorney, Agent, or Firm—Terry M. Gernstein*

[57] **CLAIM**

The ornamental design for a hydrogen peroxide dispenser, as shown and described.

**DESCRIPTION**

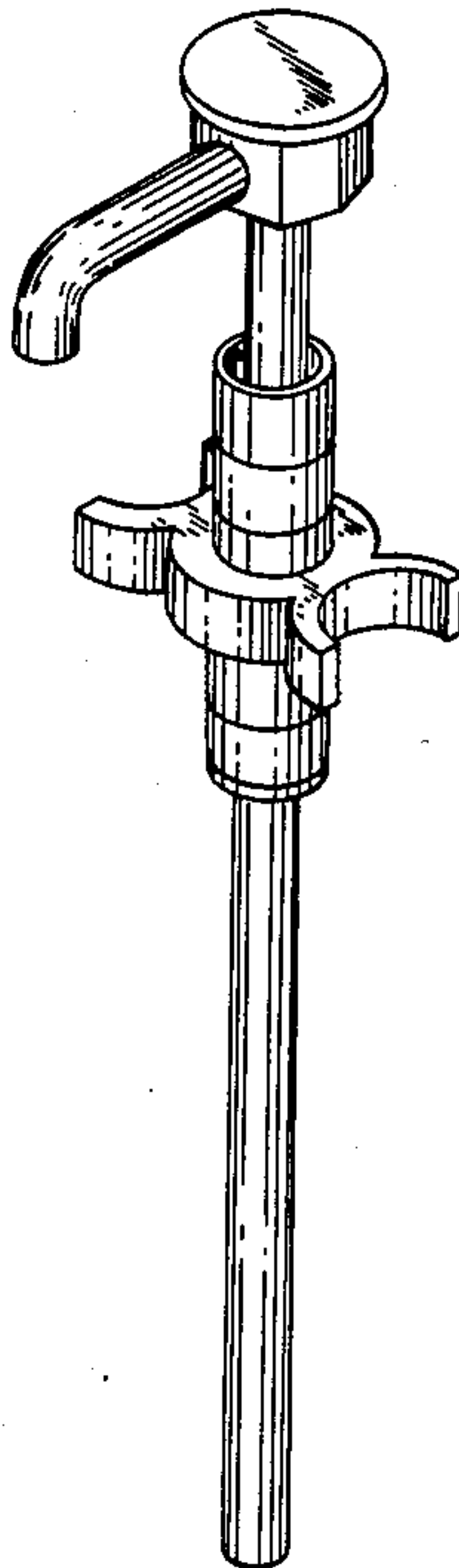
FIG. 1 is an isometric view of a dispenser showing our new design;

FIG. 2 is a top view;

FIG. 3 is a bottom view;

FIG. 4 is a rear view; and

FIG. 5 is a typical side view thereof.



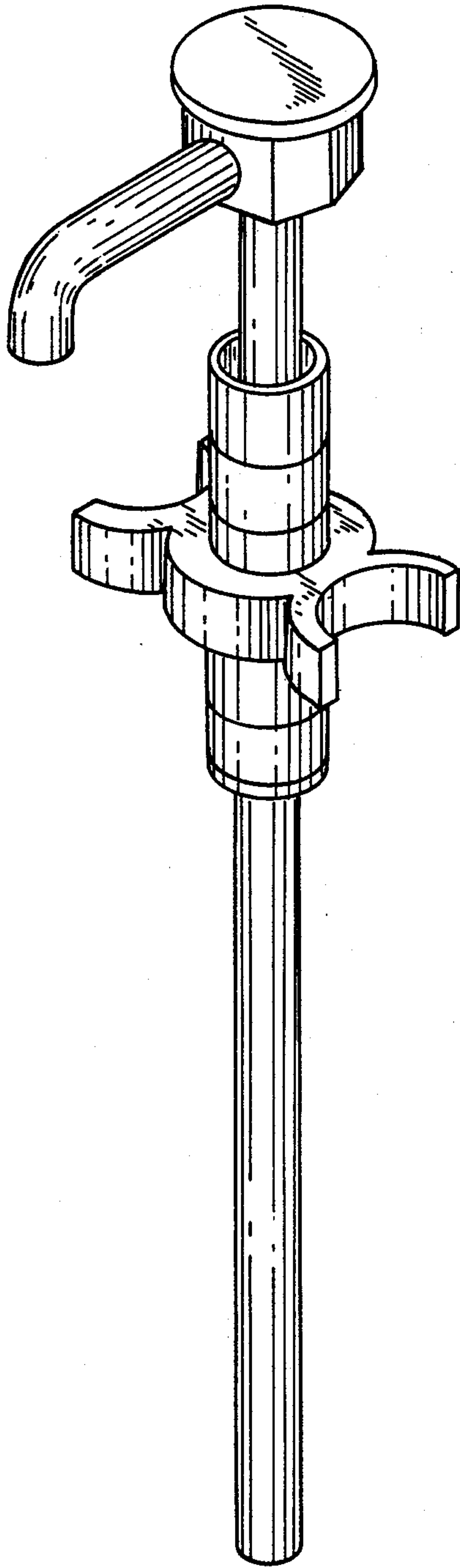


Fig. 1

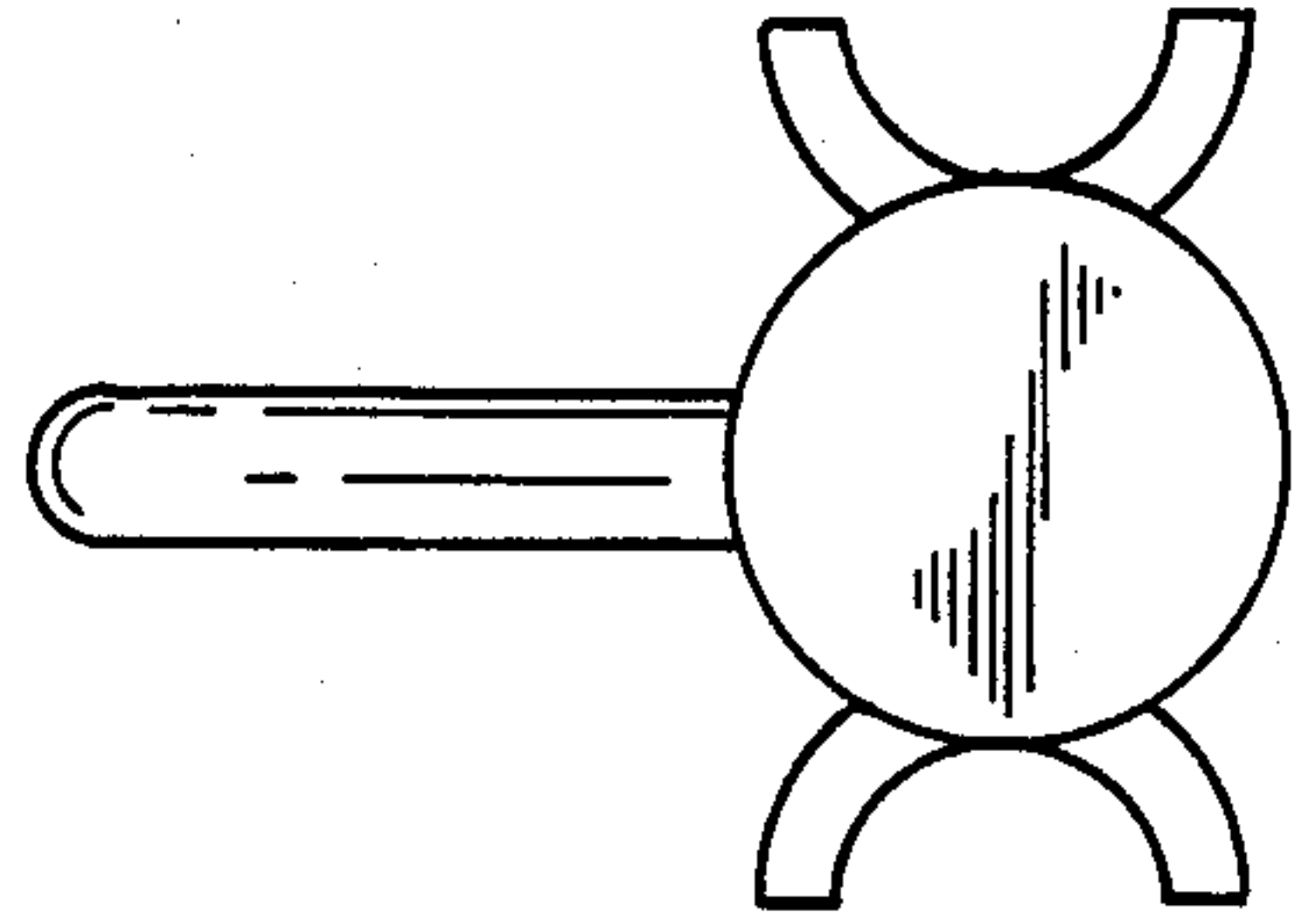


Fig. 2

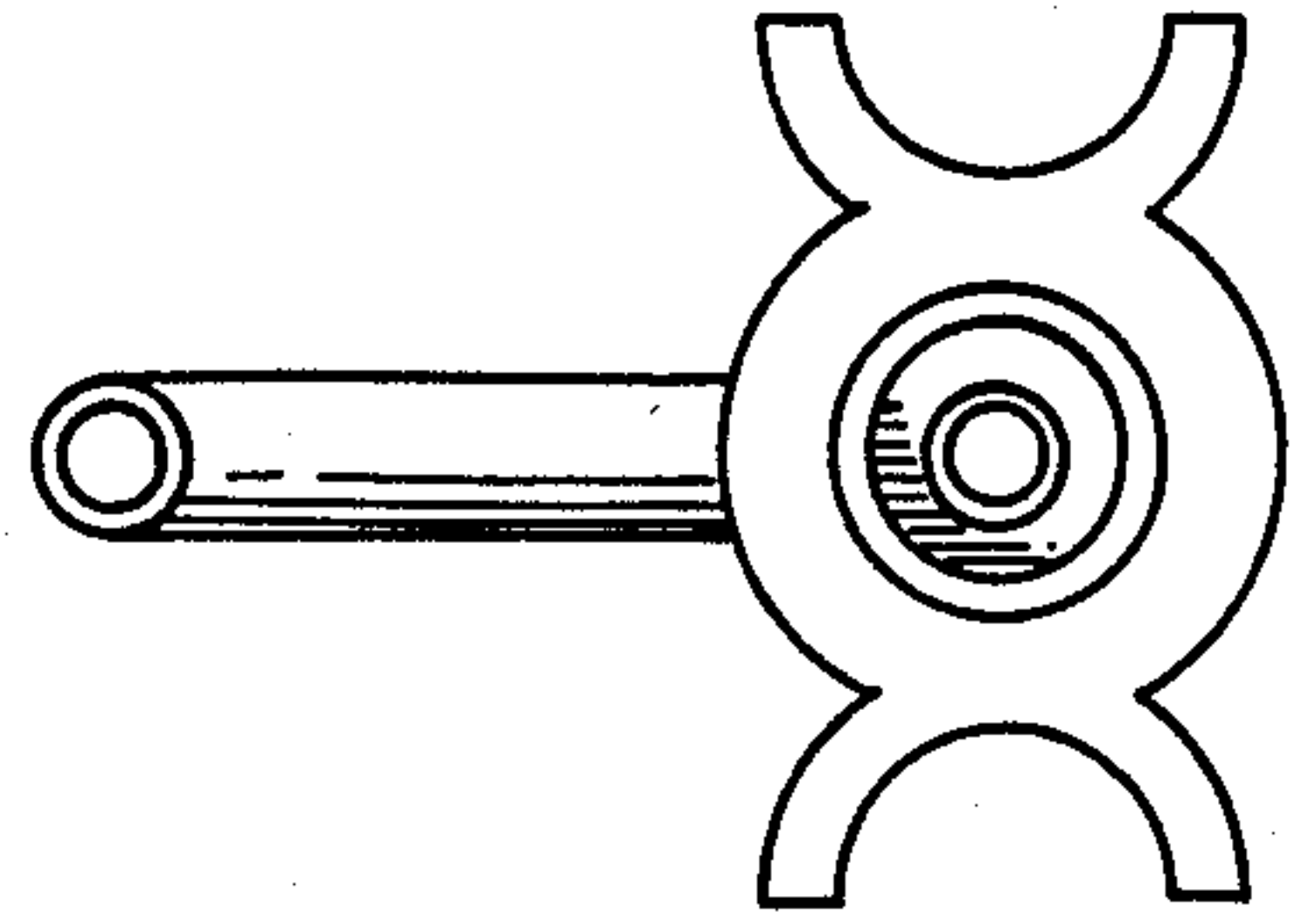


Fig. 3

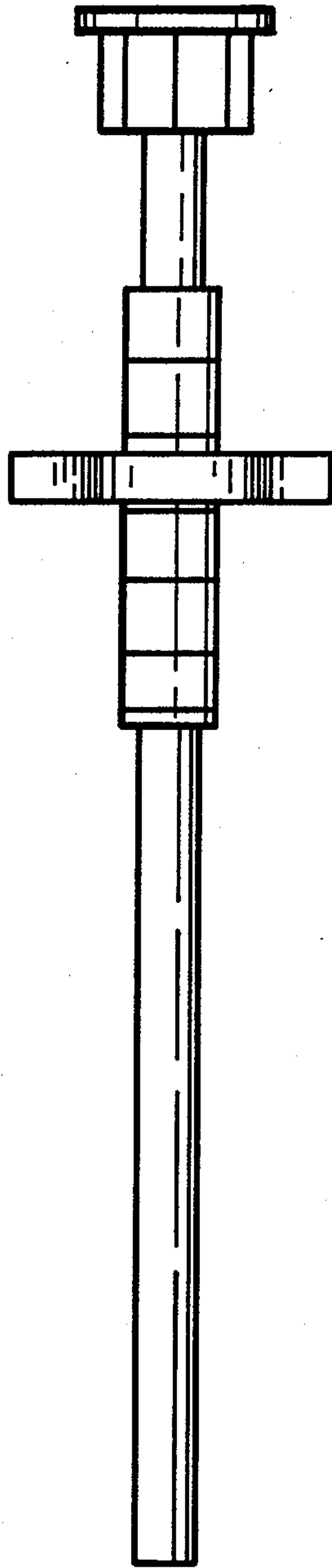


Fig. 4

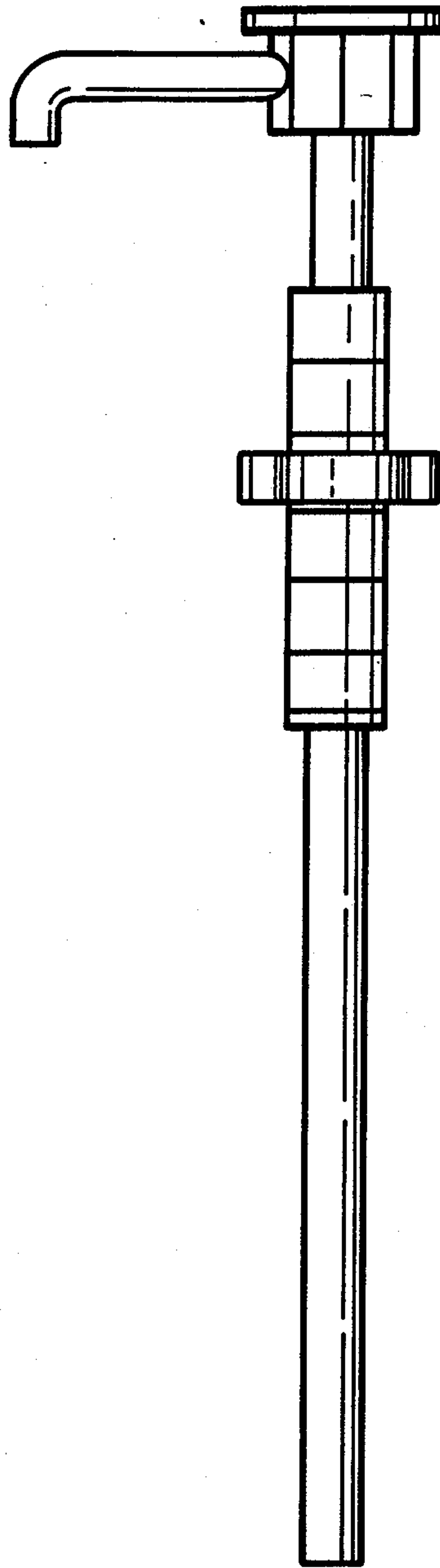


Fig. 5