

[54] FLORAL BOX WITH CRADLE

[76] Inventor: Pedro F. Garcia, 5154 Peachtree Industrial Blvd., Atlanta, Ga. 30341

[\*\*] Term: 14 Years

[21] Appl. No.: 116,269

[22] Filed: Nov. 2, 1987

[52] U.S. Cl. .... D9/424

[58] Field of Search ..... D9/414-433; D3/30, 47, 74, 78, 99; 206/6.1, 278, 566, 44 R, 44.11, 45.13, 45.28, 443, 306, 423, 45.31; 229/6 R, 6 A, 8; 220/4 B; D6/382, 383, 384, 396

[56] References Cited

U.S. PATENT DOCUMENTS

D. 91,377	1/1934	Weiner	.....	D9/418
D. 107,792	1/1938	Rathbun	.....	D9/424
D. 207,926	6/1967	Palson	.....	D9/423
2,385,866	10/1945	Kuehner	.....	206/423 X
2,722,778	11/1955	Carufel	.....	206/423 X
2,760,674	8/1956	Karp	.....	220/4 B
3,023,923	3/1962	Geib et al.	.....	D9/423 X

3,403,713 10/1968 Good et al. .... 220/4 B

FOREIGN PATENT DOCUMENTS

0195493 4/1923 United Kingdom ..... 206/45.31

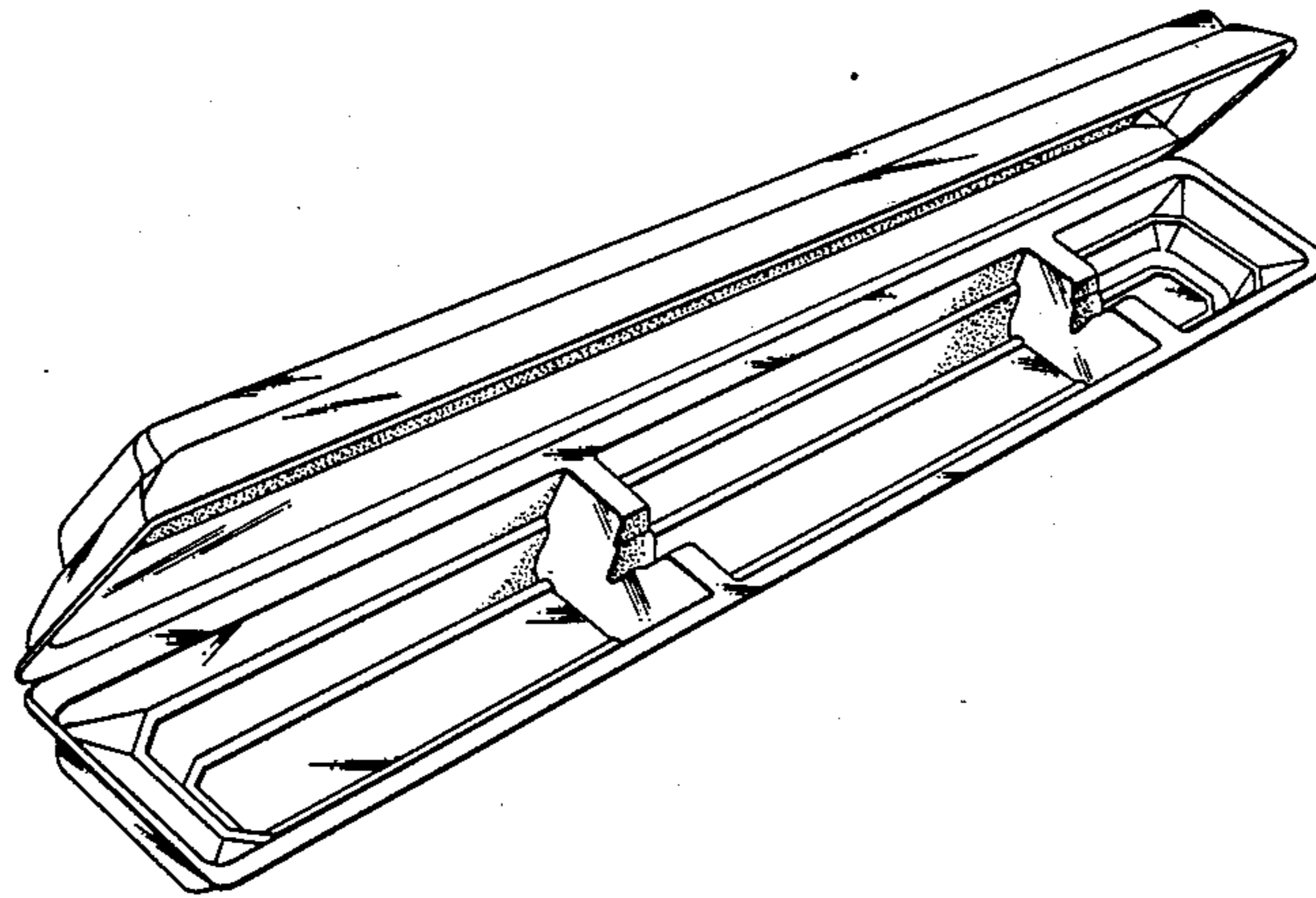
Primary Examiner—Bernard Ansher  
Assistant Examiner—Prabhakar Deshmukh  
Attorney, Agent, or Firm—James B. Middleton

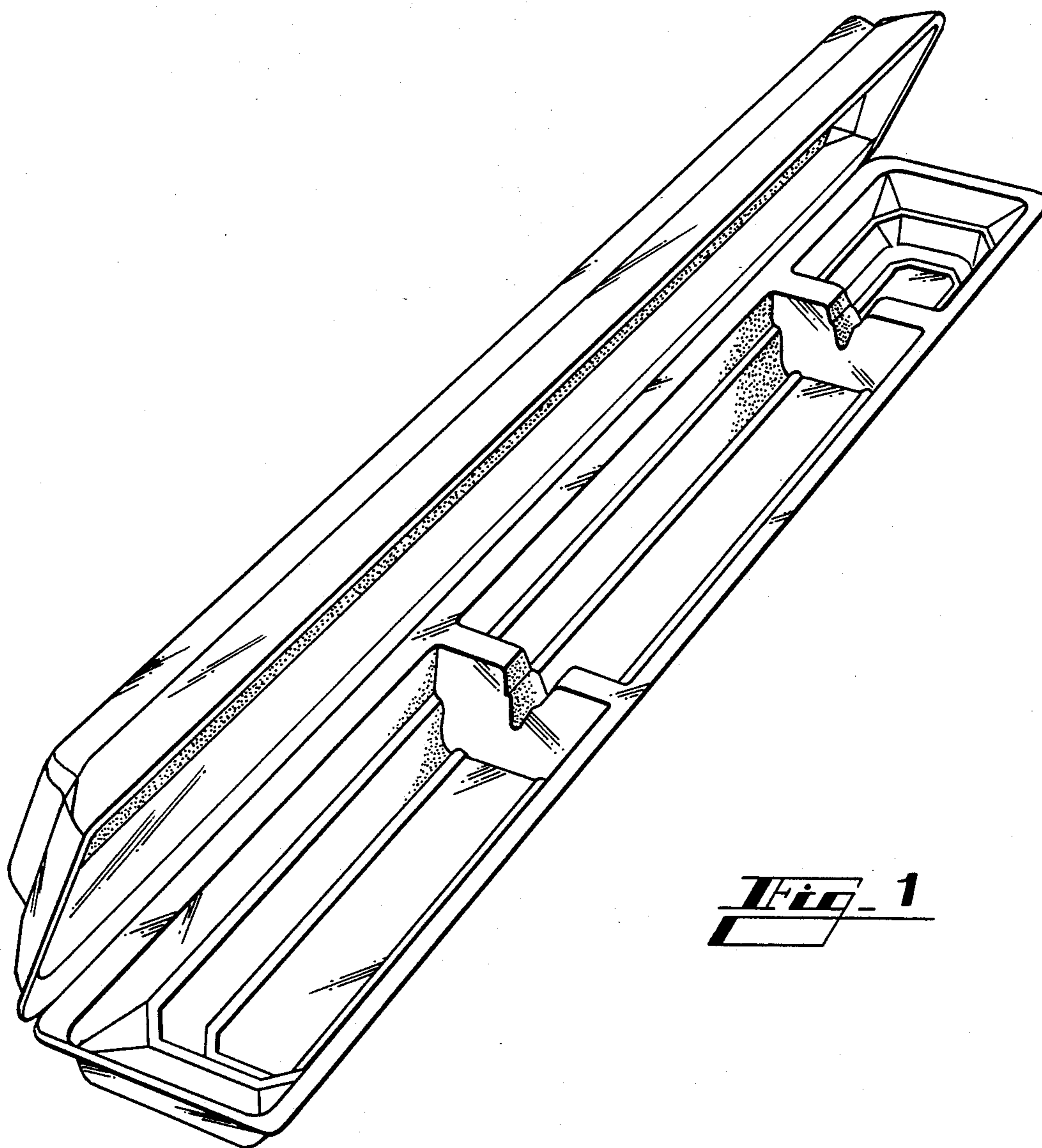
[57] CLAIM

The ornamental design for a floral box with cradle, as shown and described.

DESCRIPTION

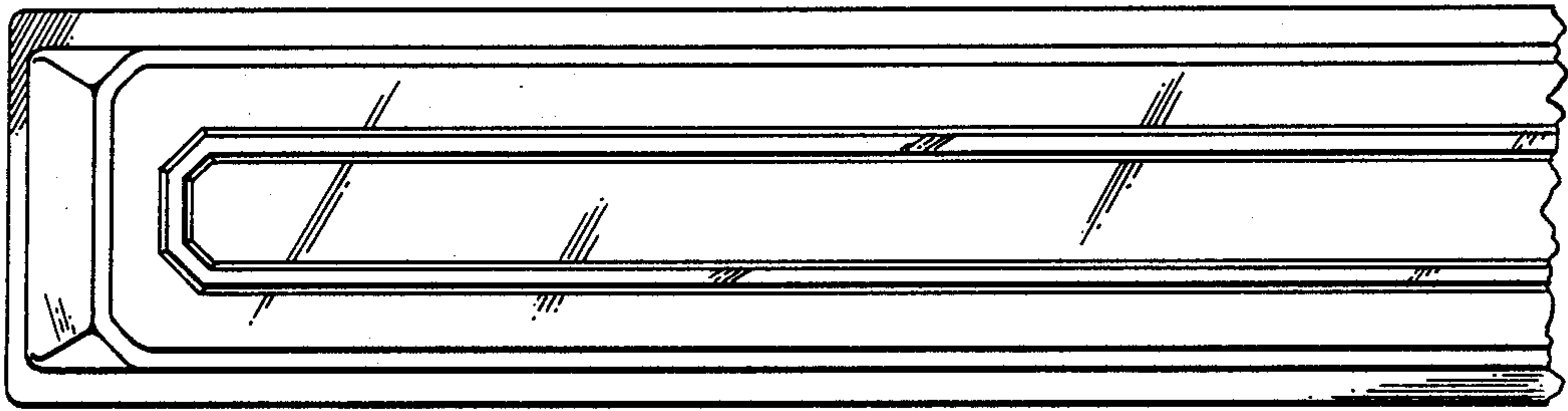
FIG. 1 is a perspective view of a flower box with cradle, in open position, showing my new design; FIG. 2 is a fragmentary top plan view thereof, in closed position; FIG. 3 is a fragmentary front elevation of FIG. 2 thereof; FIG. 4 is a bottom plan view of FIG. 2 thereof; FIG. 5 is a left side elevation thereof, in closed position, the right side elevation being a mirror image; and FIG. 6 is an enlarged sectional elevation on line 6—6 of FIG. 2 thereof.



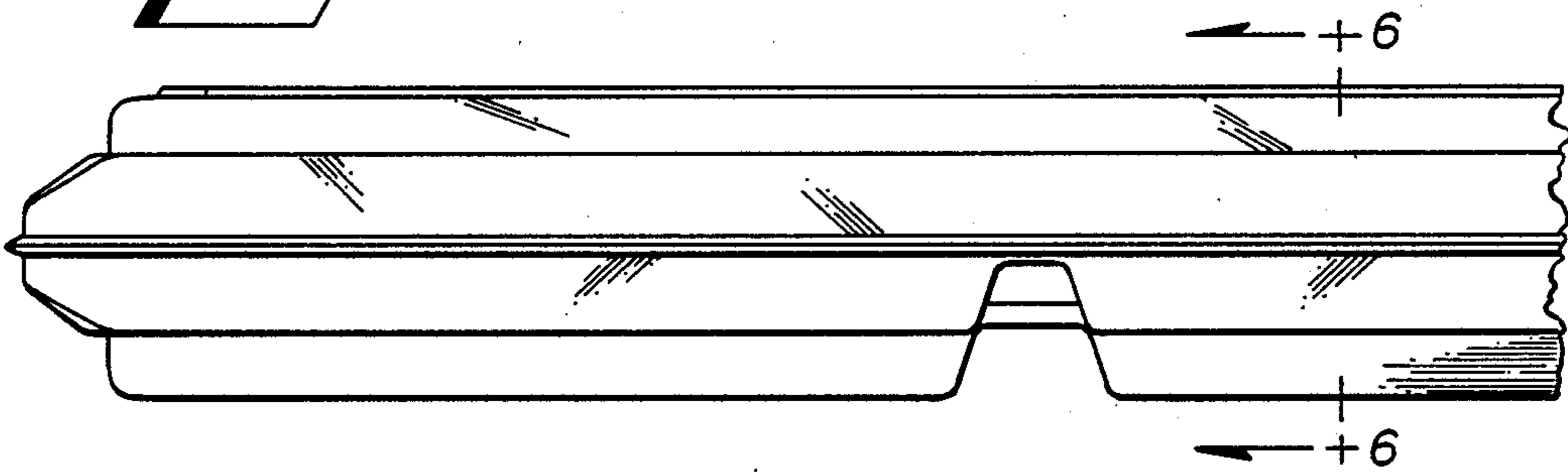


*Fig. 1*

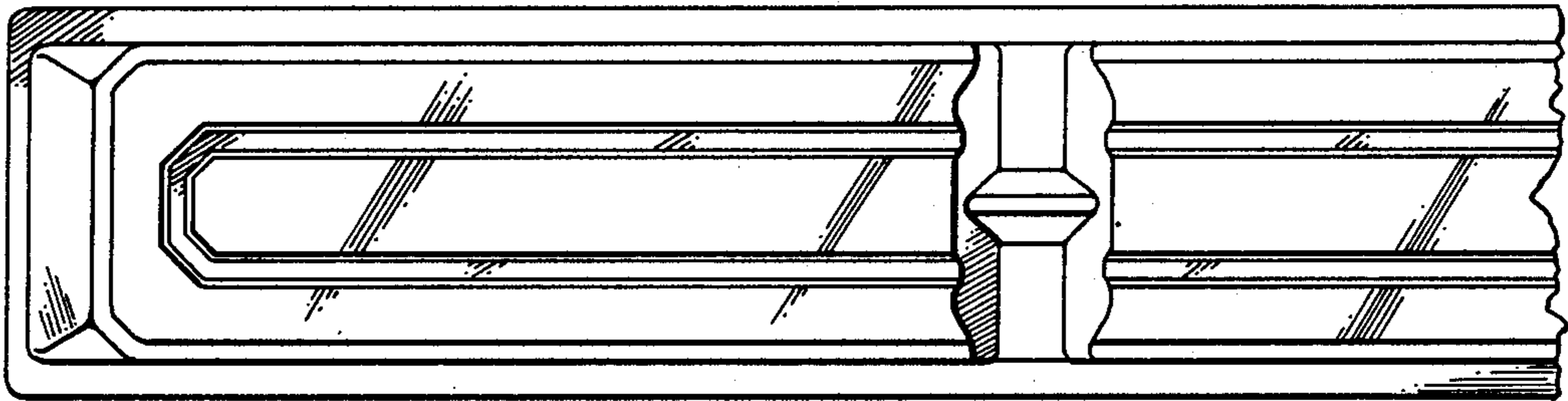
**Fig. 2**



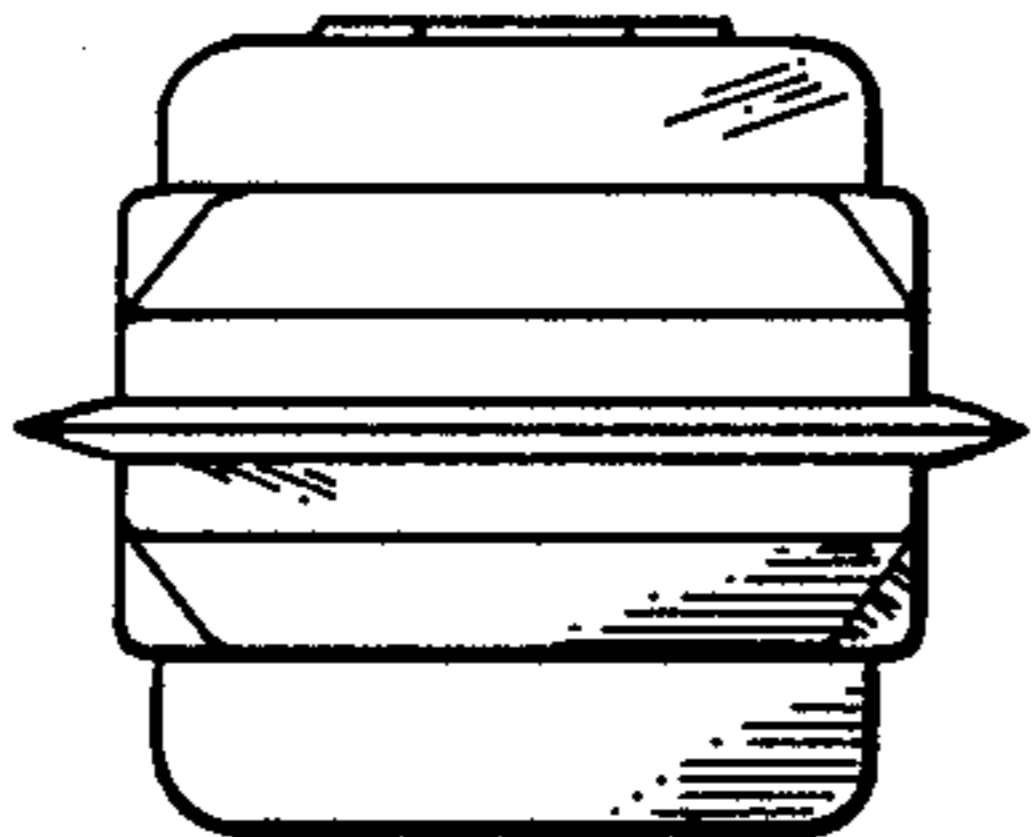
**Fig. 3**



**Fig. 4**



**Fig. 5**



**Fig. 6**

