

[54] ROUND HOOK

[75] Inventor: David L. Hamann, Cincinnati, Ohio

[73] Assignee: Rubbermaid Corporation, Wooster, Ohio

[\*\*] Term: 14 Years

[21] Appl. No.: 213,328

[22] Filed: Jun. 29, 1988

[52] U.S. Cl. .... D8/363; D8/367; D8/373; D6/535

[58] Field of Search ..... D8/363, 367, 373, 354; D6/535, 544; 248/113, 110, 311.2; D24/48; D23/311; 211/66, 75

[56] References Cited

U.S. PATENT DOCUMENTS

D. 41,319	4/1911	Kremer	.....	D8/373
D. 85,835	12/1931	Marmon	.....	D8/373
D. 135,636	5/1943	Agosta	.....	D8/373
D. 136,004	7/1943	Allrod	.....	D8/373

D. 157,147	2/1950	Hallenscheid	.....	D6/535
D. 173,684	12/1954	Ake	.....	D8/373
D. 280,263	8/1985	Hoye	.....	D6/535
1,182,109	5/1916	Simmons	.....	248/113
1,206,655	11/1916	Belcher	.....	248/113
3,127,146	3/1964	Fisher	.....	248/250

Primary Examiner—Horace B. Fay, Jr.

Attorney, Agent, or Firm—Richard B. O’Planick

[57] CLAIM

The ornamental design for a round hook, as shown and described.

DESCRIPTION

FIG. 1 is a front perspective view of a round hook embodying my new design.

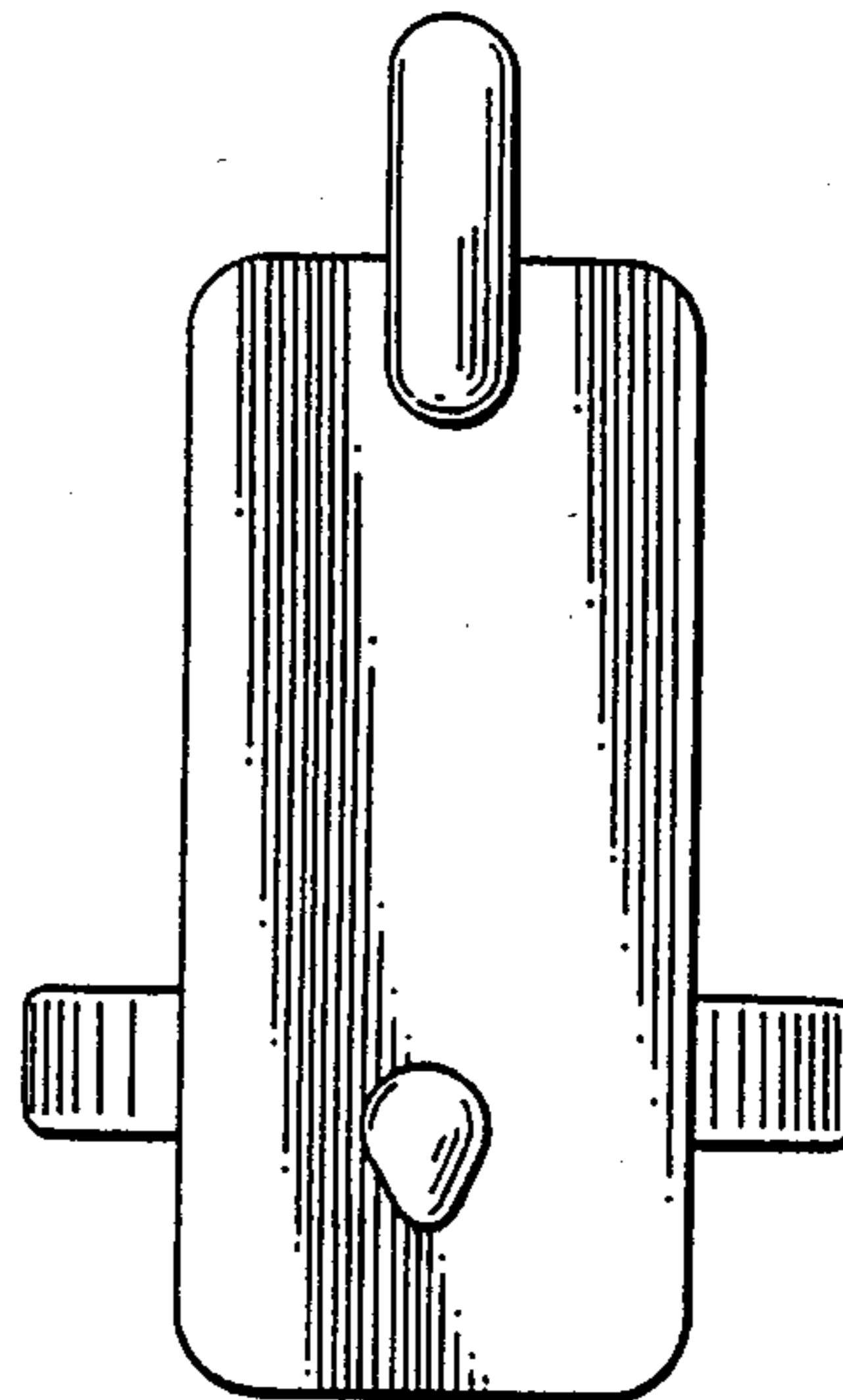
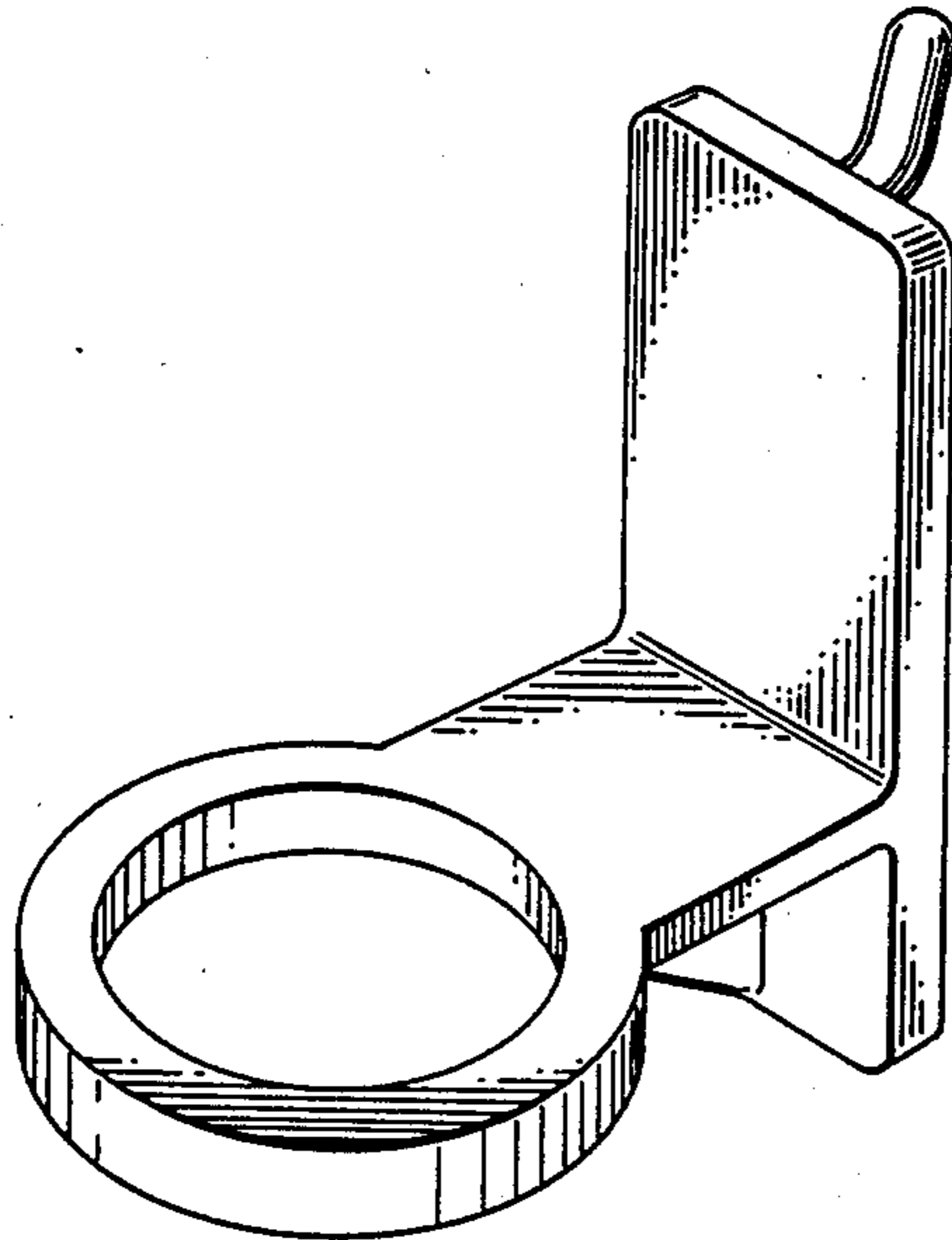
FIG. 2 is a front elevational view thereof.

FIG. 3 is a rear elevational view thereof.

FIG. 4 is a side elevational view thereof. The side opposite to that depicted in FIG. 4 is identical in appearance.

FIG. 5 is a top plan view thereof.

FIG. 6 is a bottom plan view thereof.



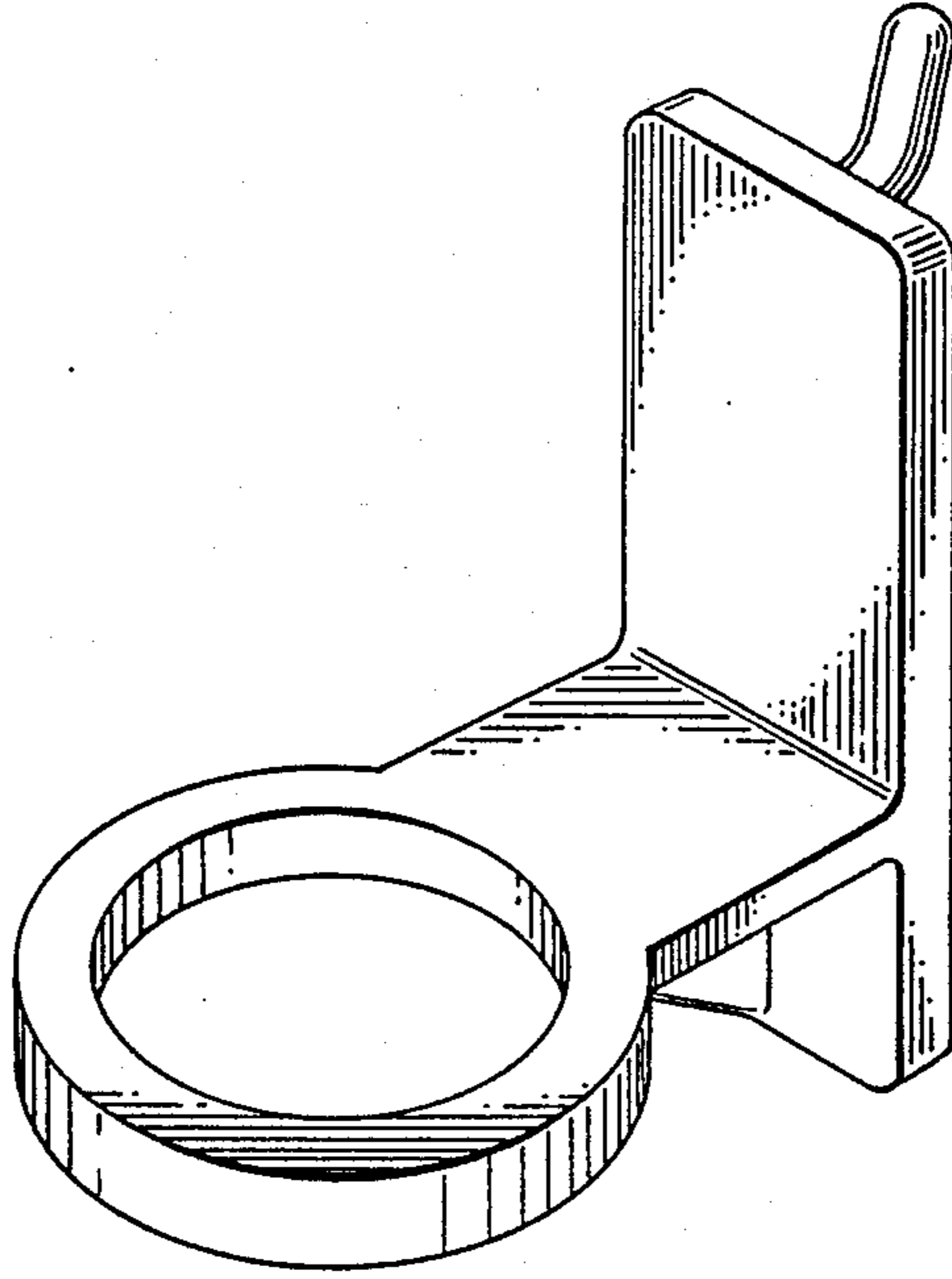


FIG. 1

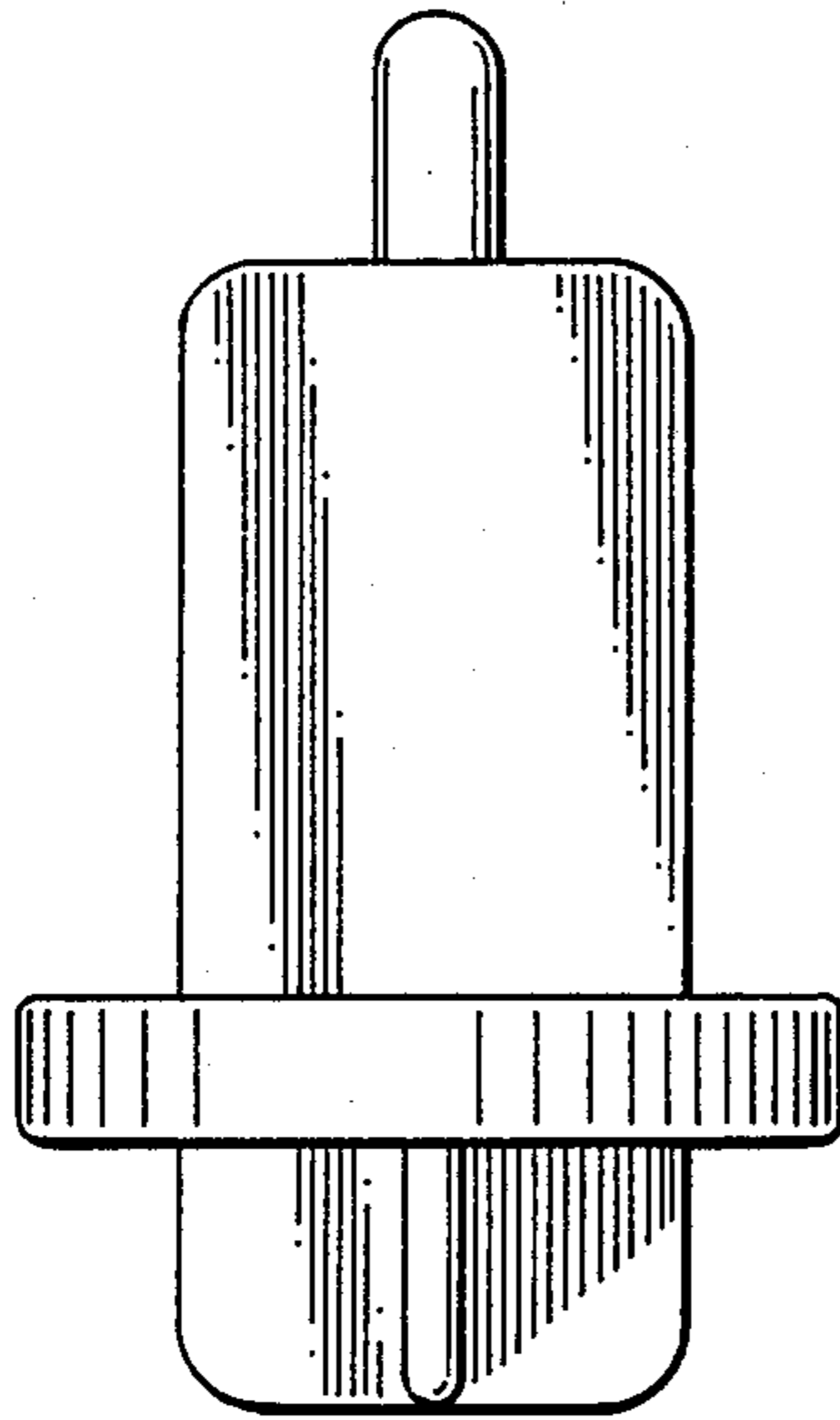


FIG. 2

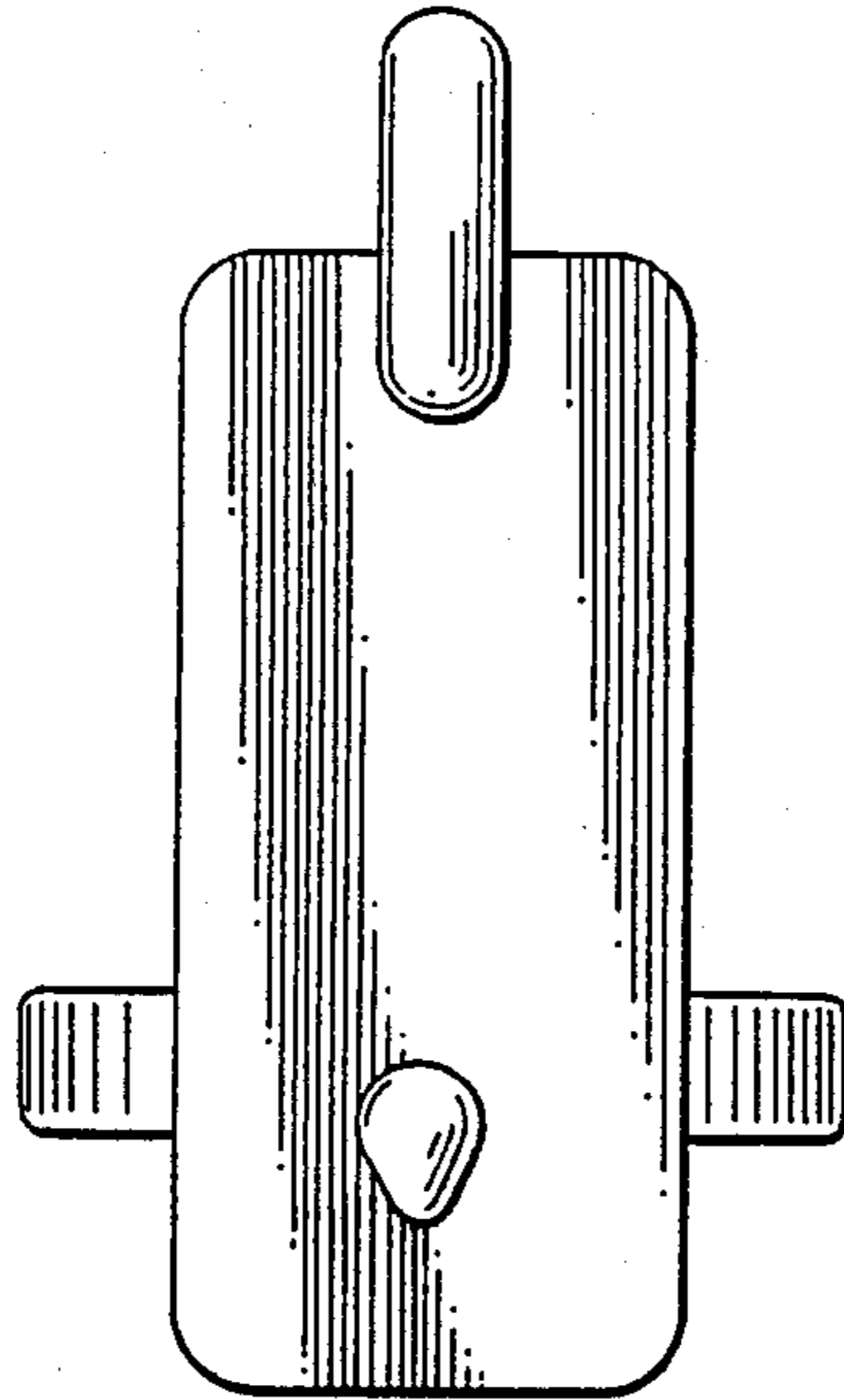


FIG. 3

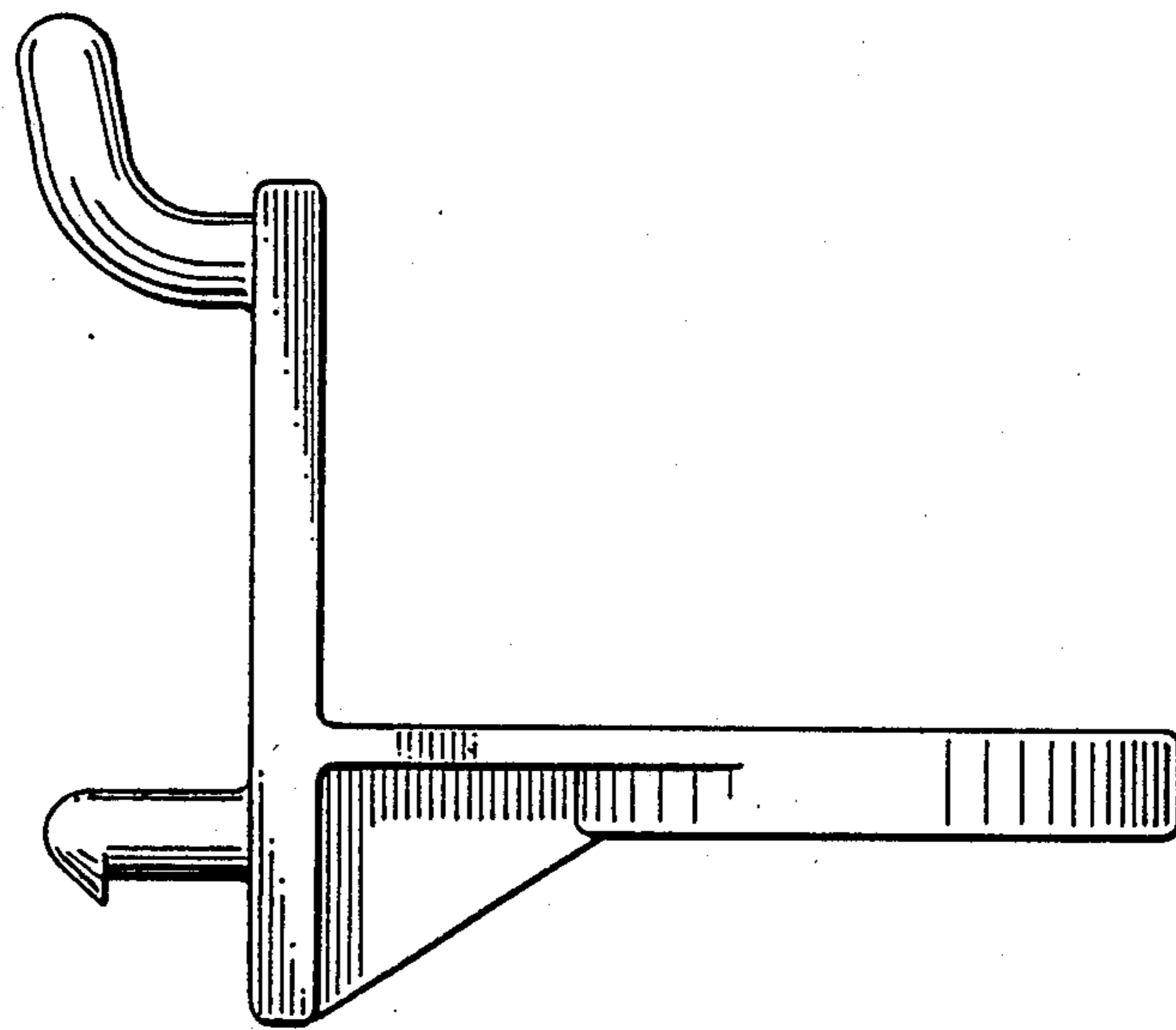


FIG. 4

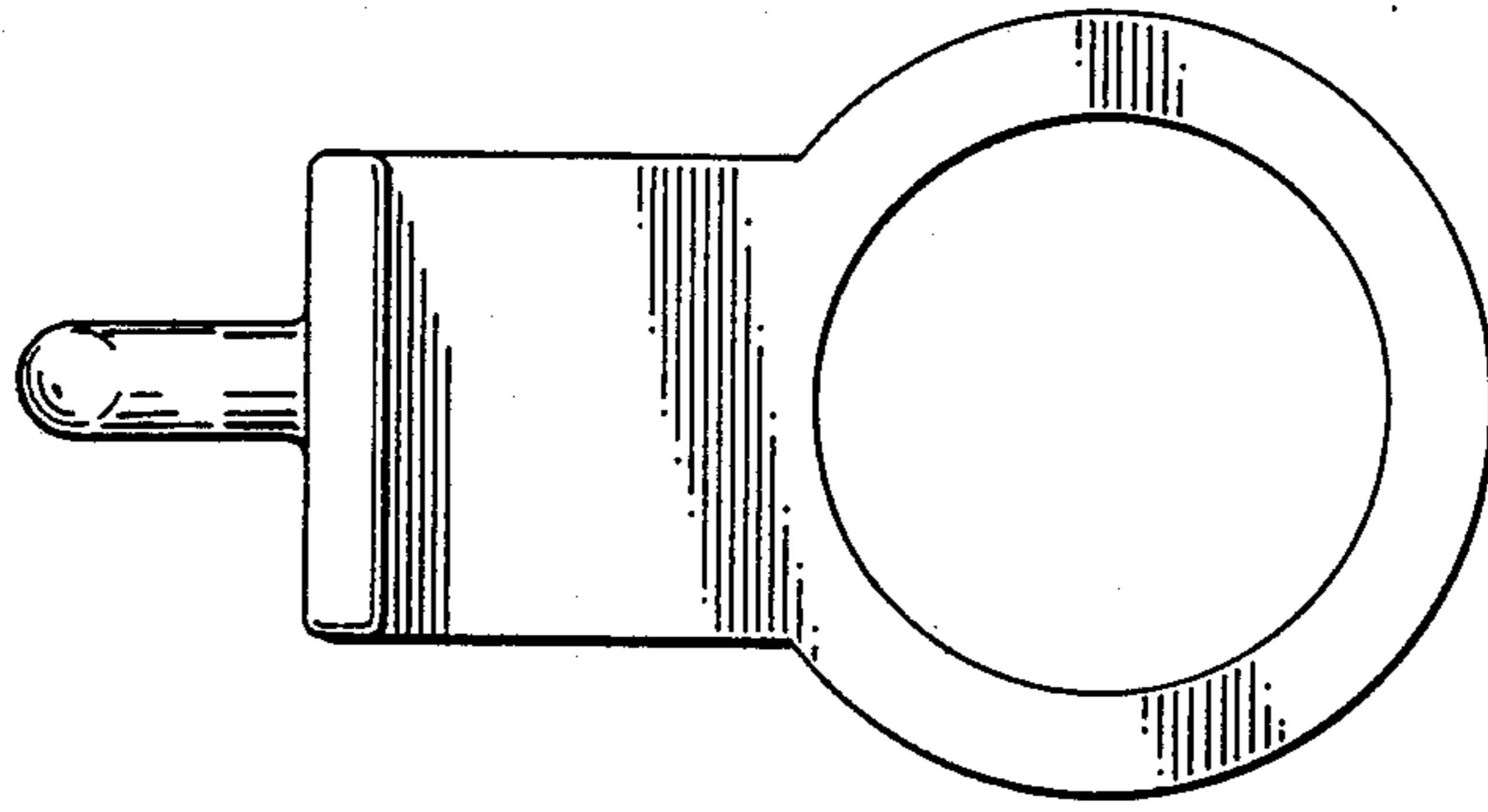


FIG. 5

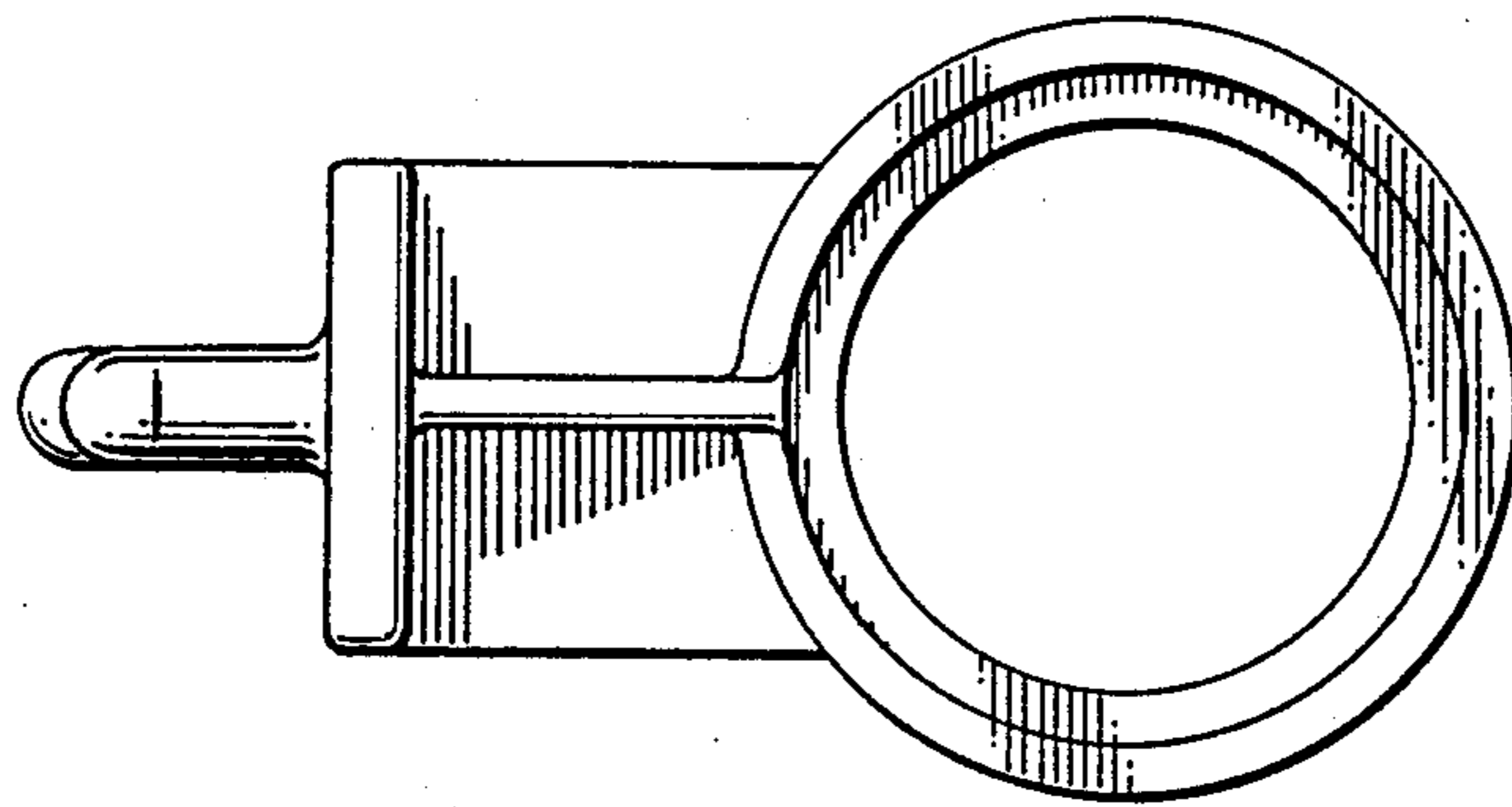


FIG. 6