

[54] **LATCH**

[76] **Inventor: Neal T. Hyde, P.O. Box 278, Lodgepole, Nebr. 69149**

[**] **Term: 14 Years**

[21] **Appl. No.: 180,328**

[22] **Filed: Apr. 11, 1988**

[52] **U.S. Cl. D8/331; D8/308**

[58] **Field of Search D8/330-331, D8/336, 338, 308; 292/DIG. 30, DIG. 7, DIG. 49, 113**

[56]

References Cited

U.S. PATENT DOCUMENTS

1,670,527 5/1928 Williamson 292/DIG. 7 X
3,970,213 7/1976 Clay D8/331 X

Primary Examiner—Wallace R. Burke
Assistant Examiner—Brian N. Vinson
Attorney, Agent, or Firm—Vincent L. Carney

[57] **CLAIM**

The ornamental design for a latch as known.

DESCRIPTION

FIG. 1 is a top, front and left side perspective view of a latch showing my new design;

FIG. 2 is a top, front and right side perspective view thereof;

FIG. 3 is a front elevational view thereof;

FIG. 4 is a rear elevational view thereof;

FIG. 5 is a left side elevational view thereof;

FIG. 6 is a right side elevational view thereof;

FIG. 7 is a top plan view thereof; and

FIG. 8 is a bottom plan view thereof.

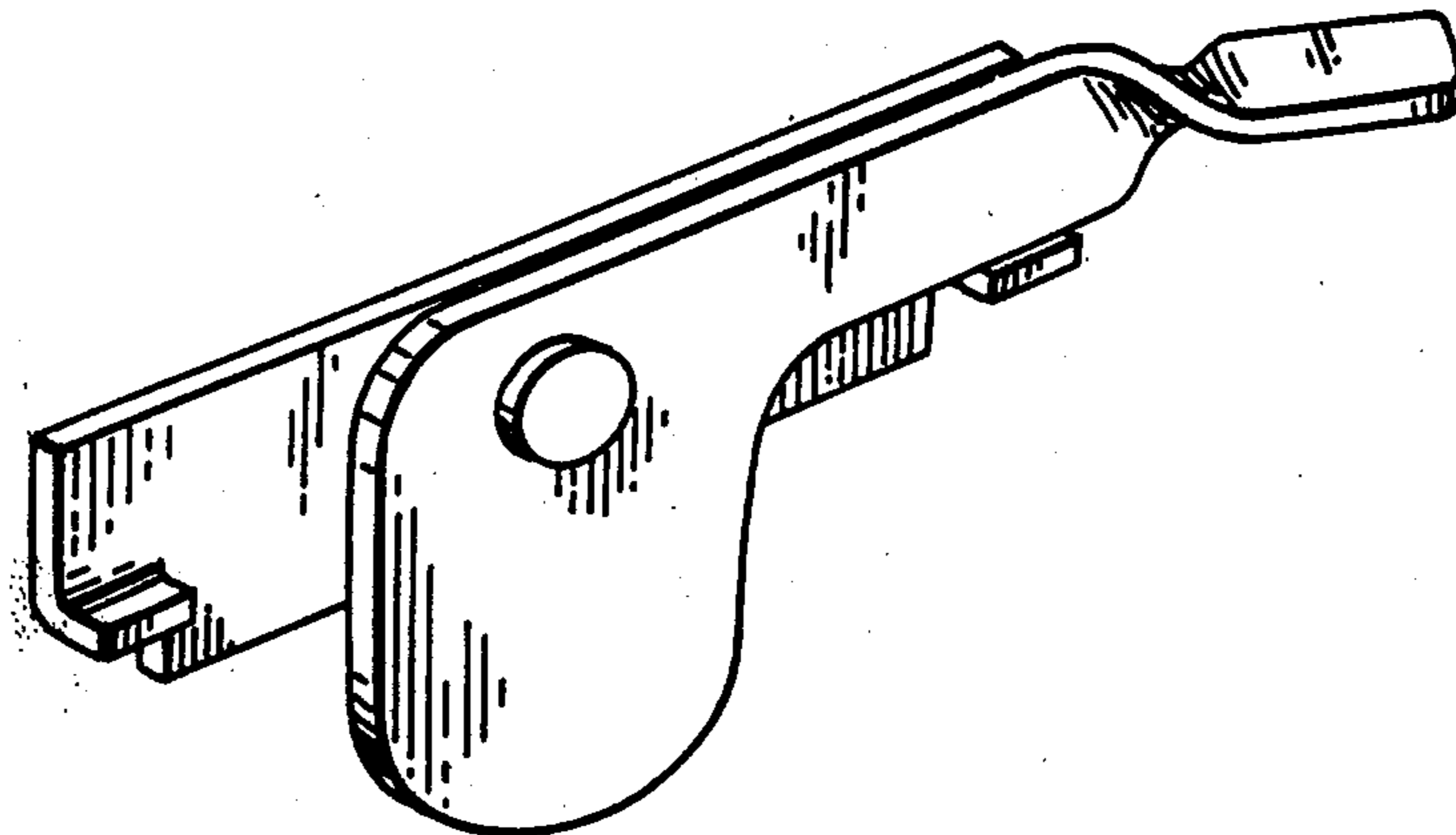


FIG. 1

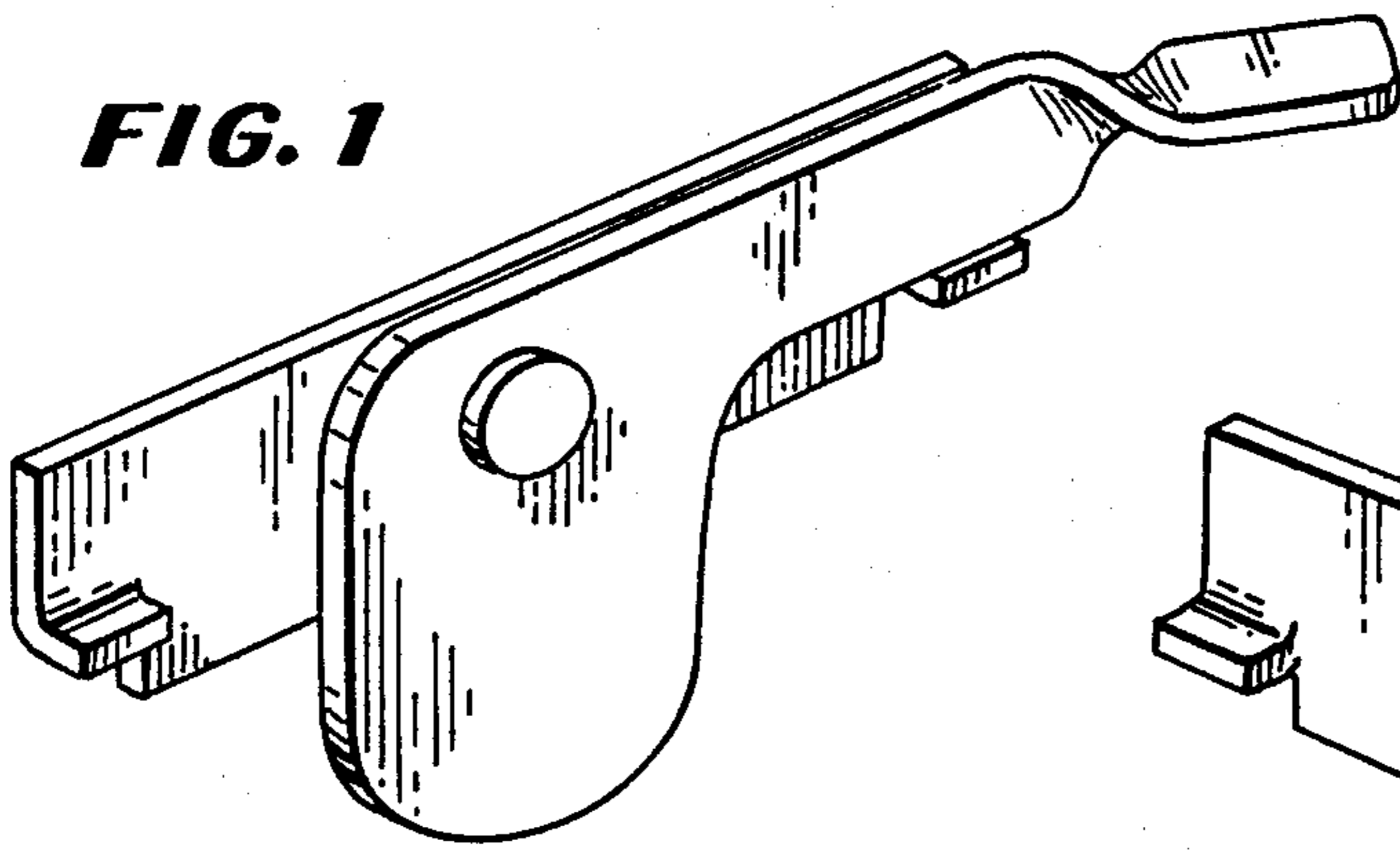


FIG. 2

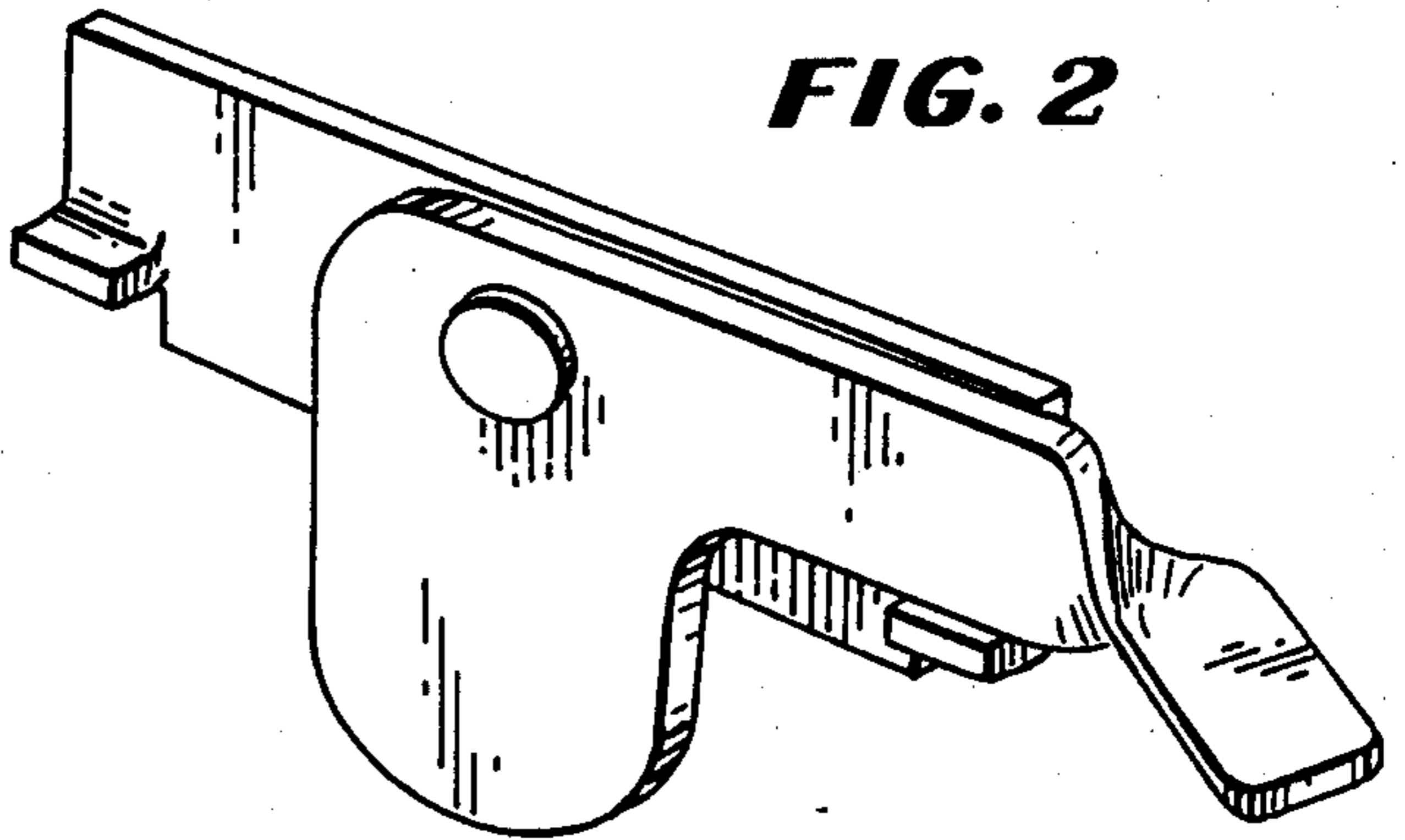


FIG. 3

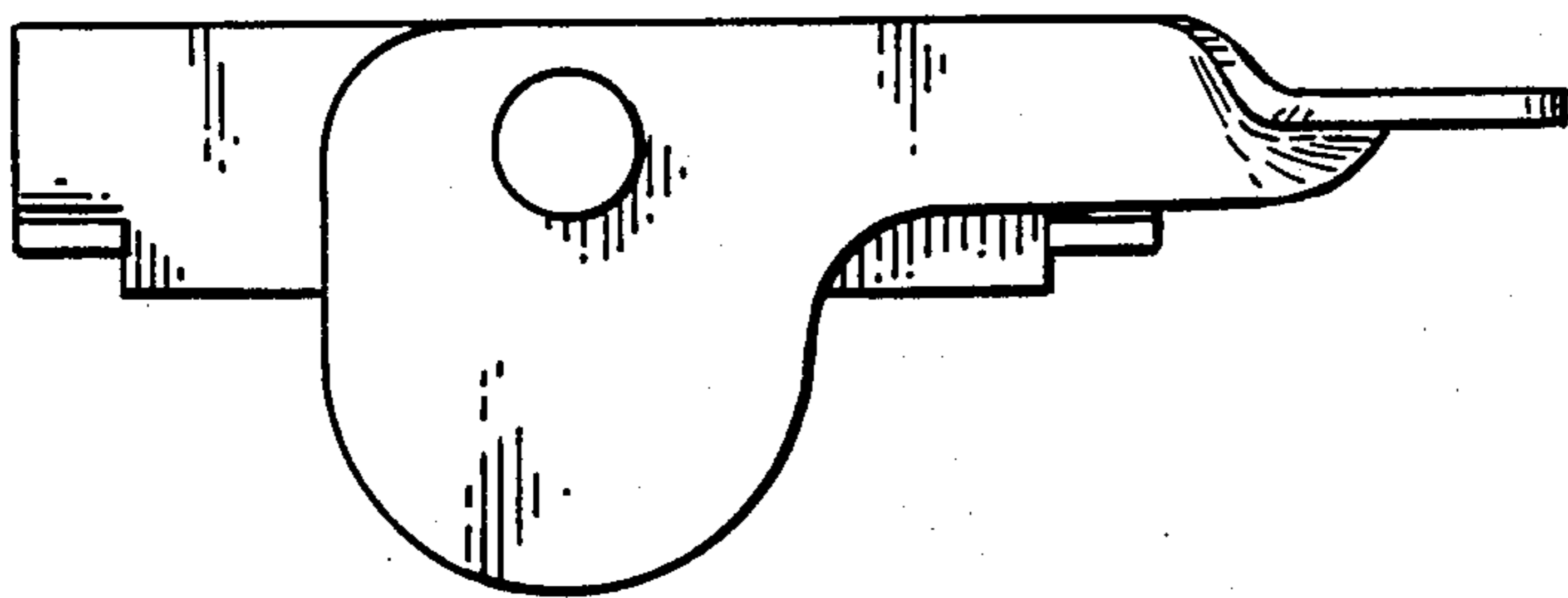


FIG. 4

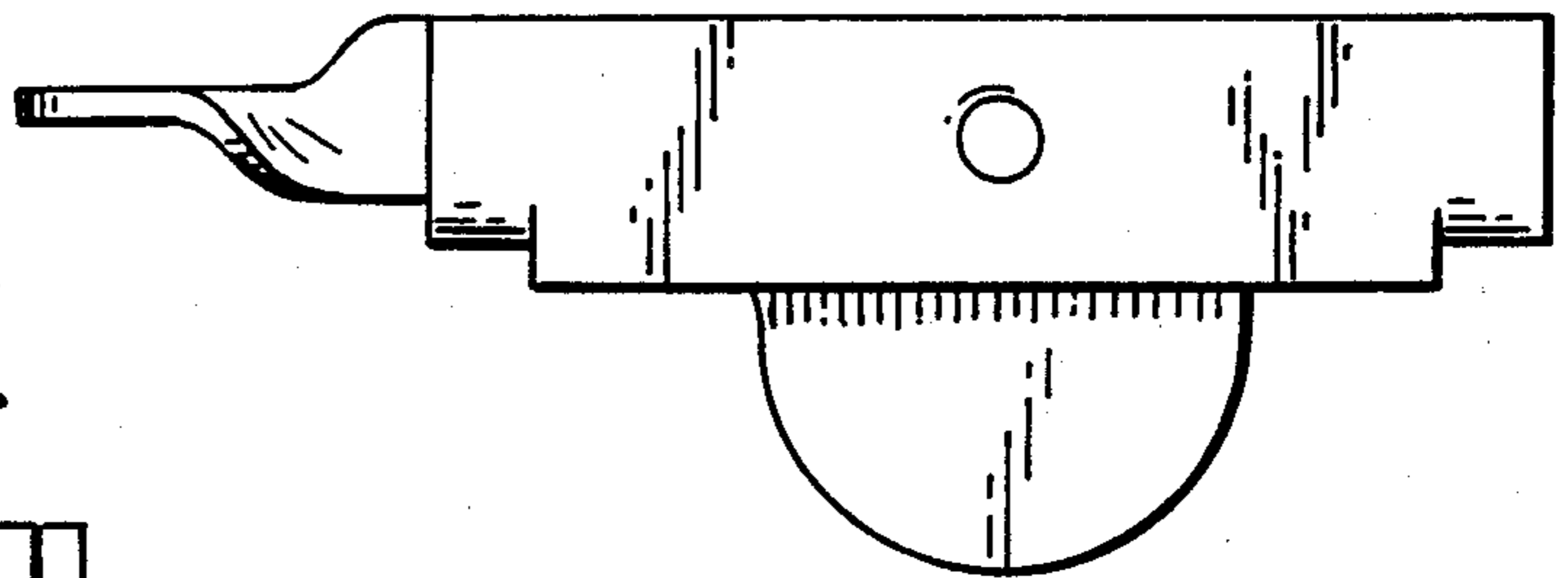


FIG. 5

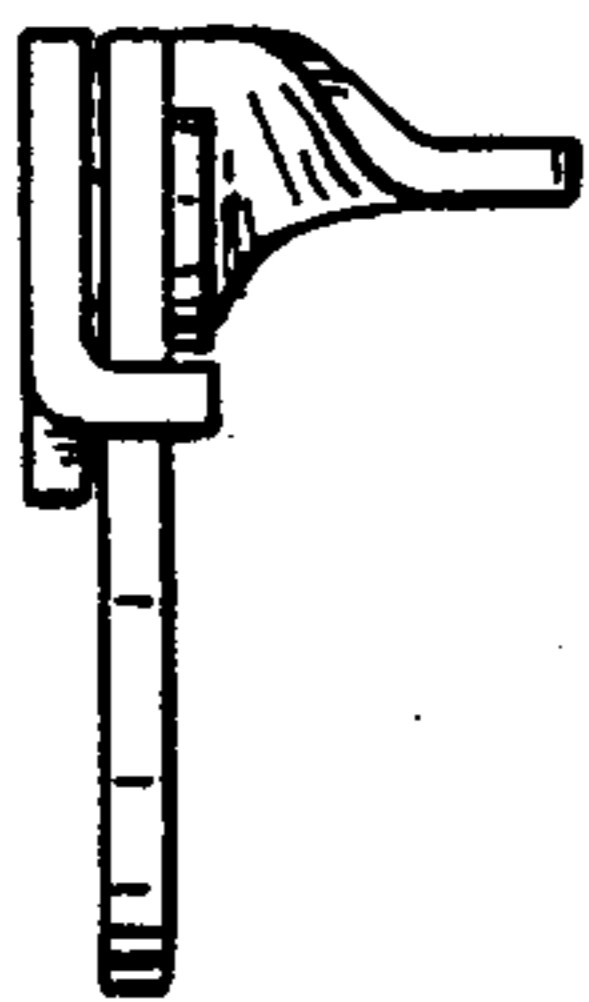


FIG. 6

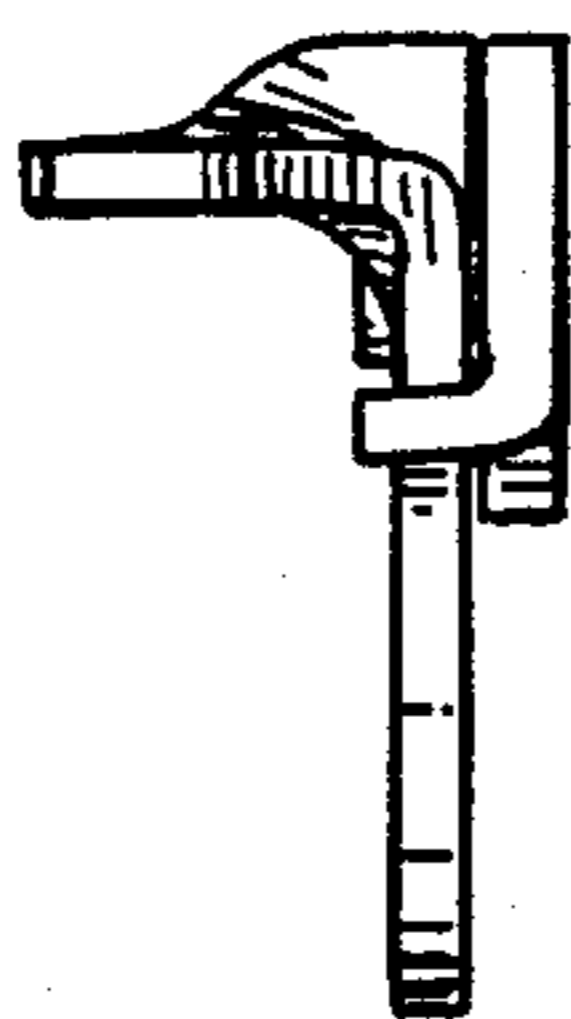


FIG. 7

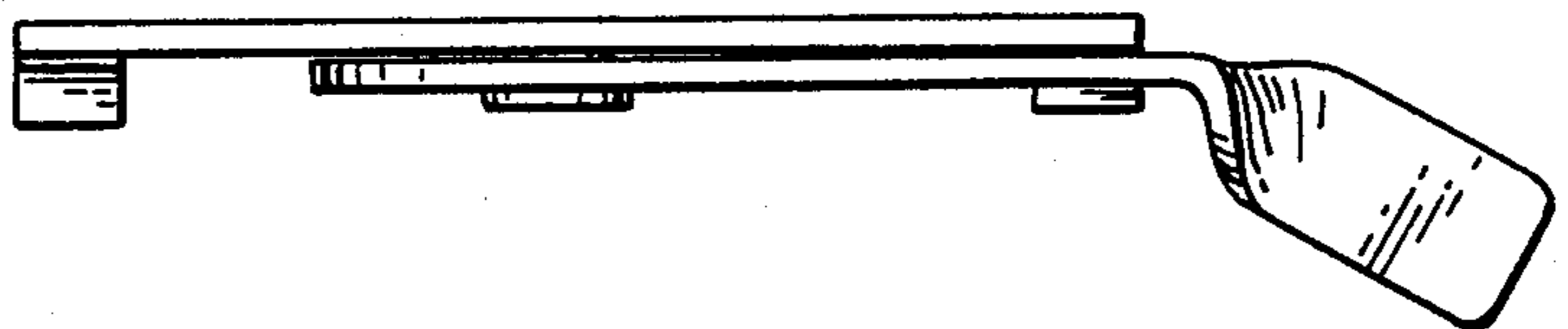


FIG. 8

