

[54] **POCKET KNIFE**

[76] **Inventor: Michael J. Inman, 11231 Campbell, Riverside, Calif. 92505**

[\*\*] **Term: 14 Years**

[21] **Appl. No.: 43,244**

[22] **Filed: Apr. 27, 1987**

[52] **U.S. Cl. .... D8/99; D8/105**

[58] **Field of Search ..... D8/14, 95-102, D8/105, 107; D22/118; 30/155-163, 112, 340; 7/118, 119, 158**

[56] **References Cited**

**U.S. PATENT DOCUMENTS**

D. 270,655	9/1983	Collins	.....	D22/118
377,926	2/1888	Brokhahne et al.	.....	30/335
1,121,289	12/1914	Robertson	.....	7/119
4,030,194	6/1977	Hendricks	.....	30/162

**OTHER PUBLICATIONS**

Futura, Drop Point Lock Back Models 6000→6002.

Matthews Cutlery catalog, (p. 2) Eagle Brand Knife labelled as #1 priced \$19.95.

Frontier brochure dated 1/1/1983; Diamondbrite Lock Back Model P-IV.

Frontier brochure; Double-Eagle Lock Back Model 4515 & Drop-Point Caping Knife #425.

*Primary Examiner*—Nelson C. Holtje

*Assistant Examiner*—Clare E. Heflin

*Attorney, Agent, or Firm*—Boniard I. Brown

[57] **CLAIM**

The ornamental design for a pocket knife, as shown and described.

**DESCRIPTION**

FIG. 1 is a side elevational view of a pocket knife showing my new design;

FIG. 2 is a bottom plan view thereof;

FIG. 3 is an opposite side elevational view thereof;

FIG. 4 is a top plan view thereof;

FIG. 5 is an end elevational view thereof; and

FIG. 6 is an opposite end elevational view thereof.

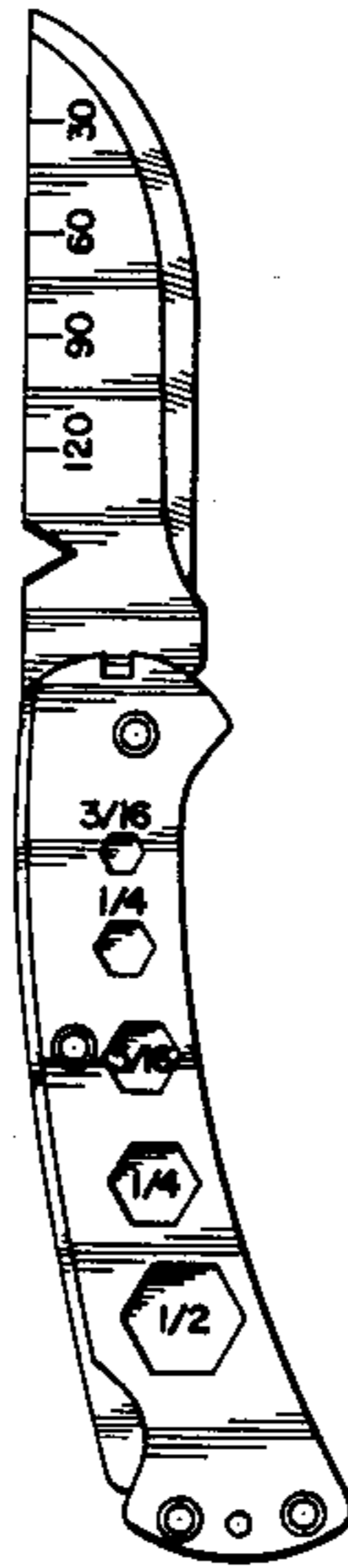


FIG. 5



FIG. 1

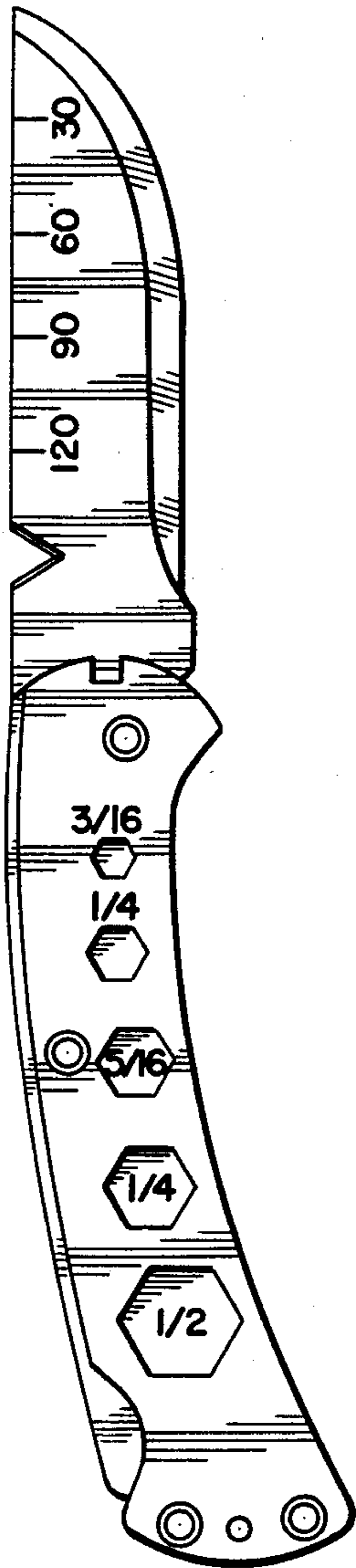


FIG. 2



FIG. 3

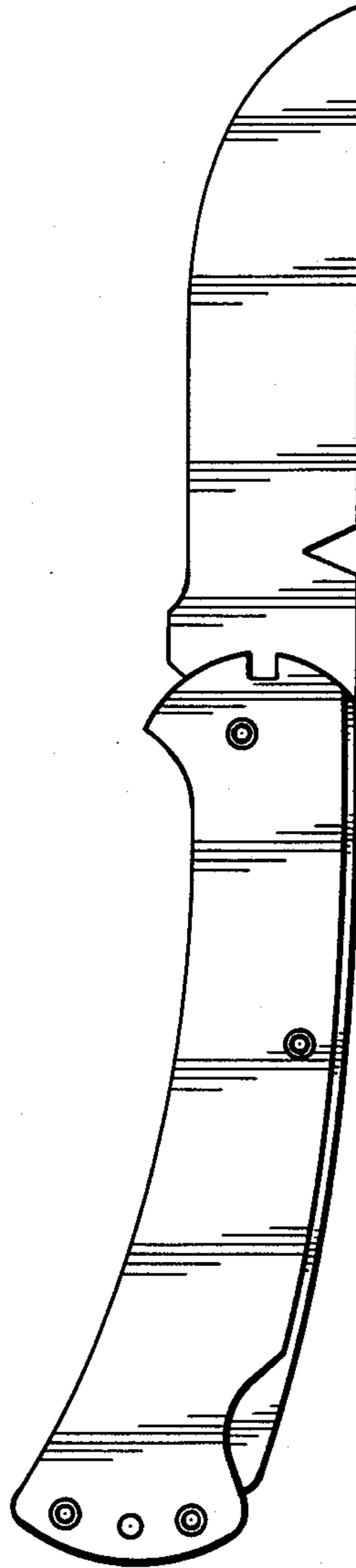


FIG. 4



FIG. 6

