

# United States Patent [19]

Walden

[11] Patent Number: **Des. 306,686**

[45] Date of Patent: **\*\* Mar. 20, 1990**

[54] **GLASS CUTTER**

3,864,828 2/1975 Bilbrey et al. .... 30/164.9

[76] Inventor: **Harry R. Walden, Rte. 2, Box 831,  
Quinlan, Tex. 75474**

*Primary Examiner*—Nelson C. Holtje  
*Assistant Examiner*—Clare E. Heflin  
*Attorney, Agent, or Firm*—Timmons & Kelly

[\*\*] Term: **14 Years**

[21] Appl. No.: **182,579**

[22] Filed: **Apr. 18, 1988**

[52] U.S. Cl. .... **D8/98**

[58] Field of Search ..... **D8/14, 95-100,  
D8/51; 30/164.9, 164.95**

[57] **CLAIM**

The ornamental design for a glass cutter, as shown and described.

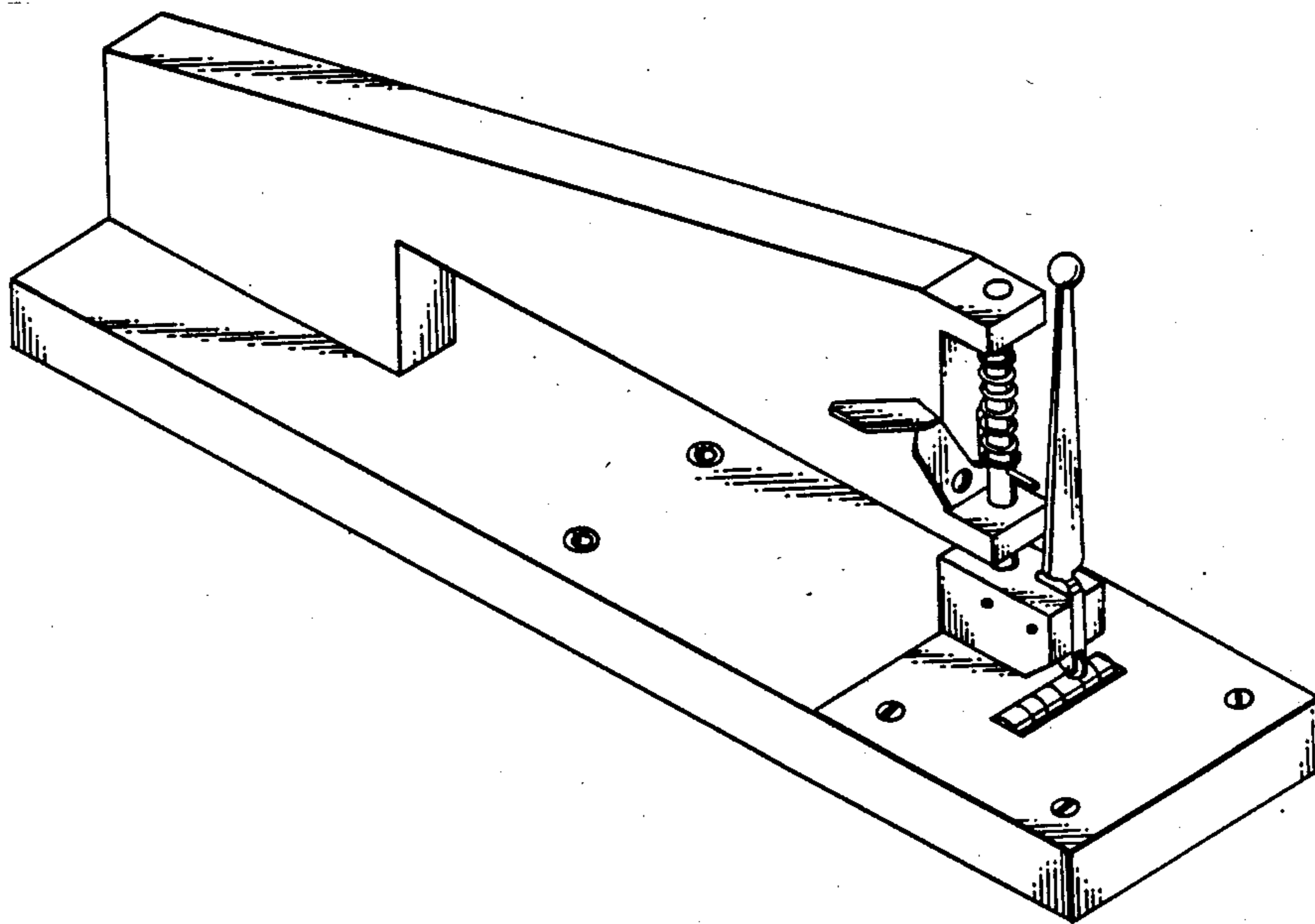
**DESCRIPTION**

FIG. 1 is a left side perspective view of glass cutter embodying my new design;  
FIG. 2 is a right side elevational view thereof;  
FIG. 3 is a top plan view thereof;  
FIG. 4 is a rear elevational view thereof;  
FIG. 5 is a left side elevational view thereof;  
FIG. 6 is a front elevational view thereof; and  
FIG. 7 is a bottom plan view thereof.

[56] **References Cited**

**U.S. PATENT DOCUMENTS**

D. 278,792 5/1985 Williams ..... D8/98  
2,631,411 3/1953 Pierson ..... 30/164.95  
3,550,273 12/1970 Insolio ..... 30/164.95



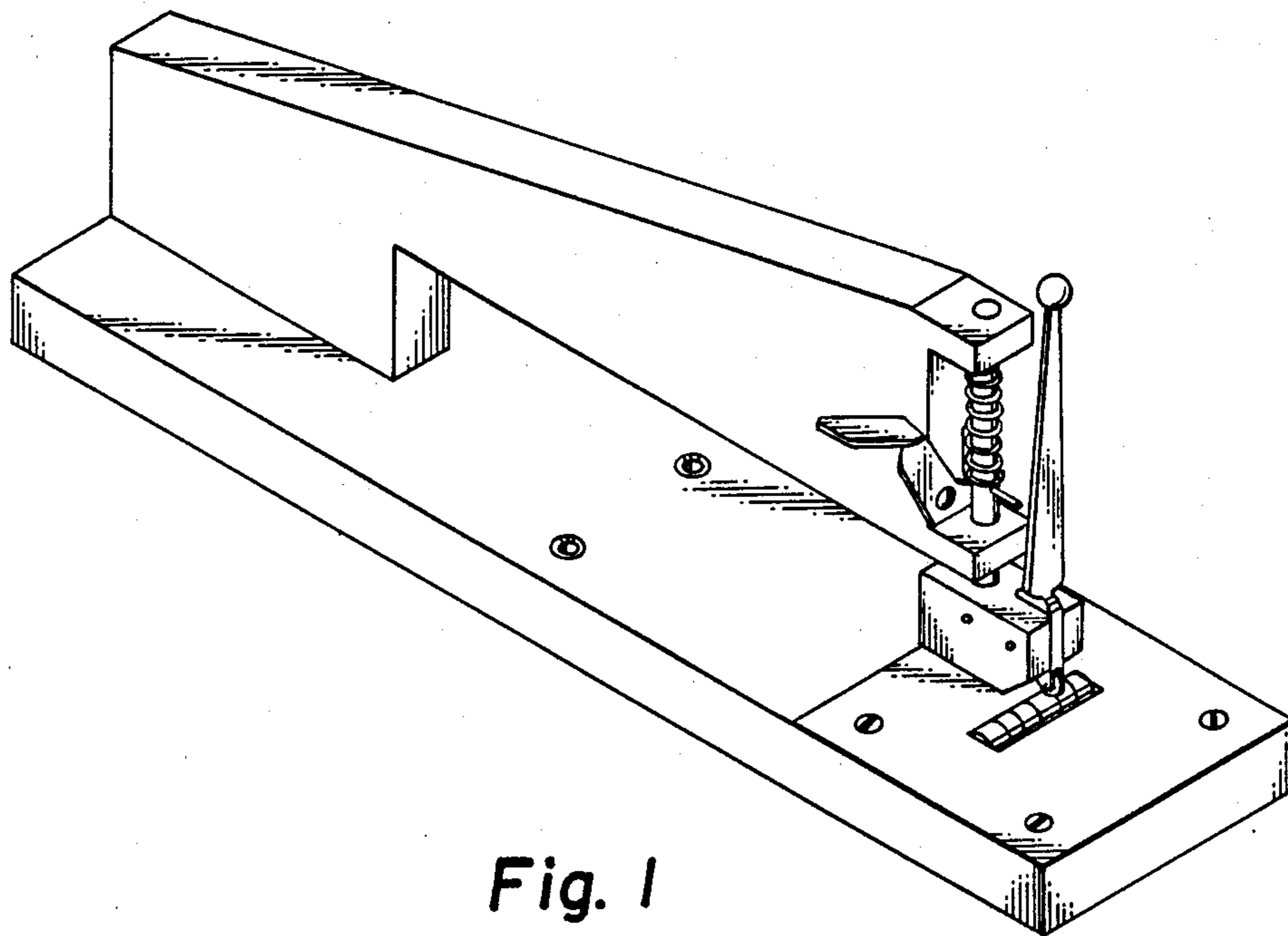


Fig. 1

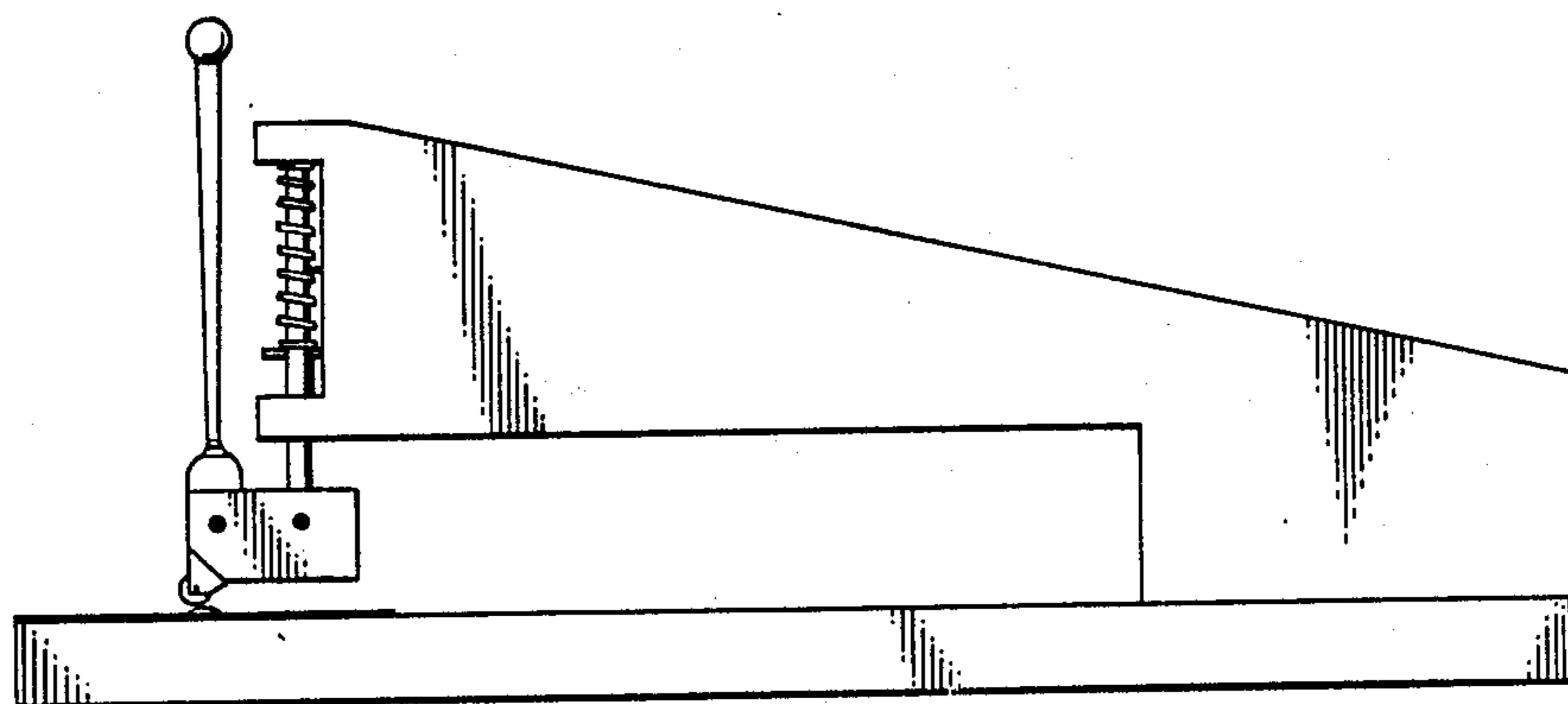


Fig. 2

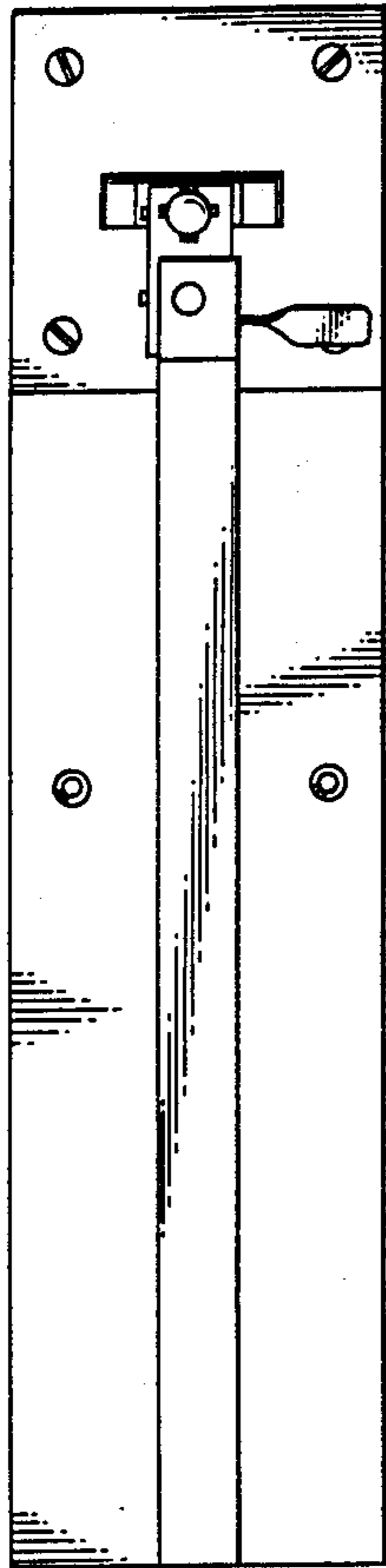


Fig. 3

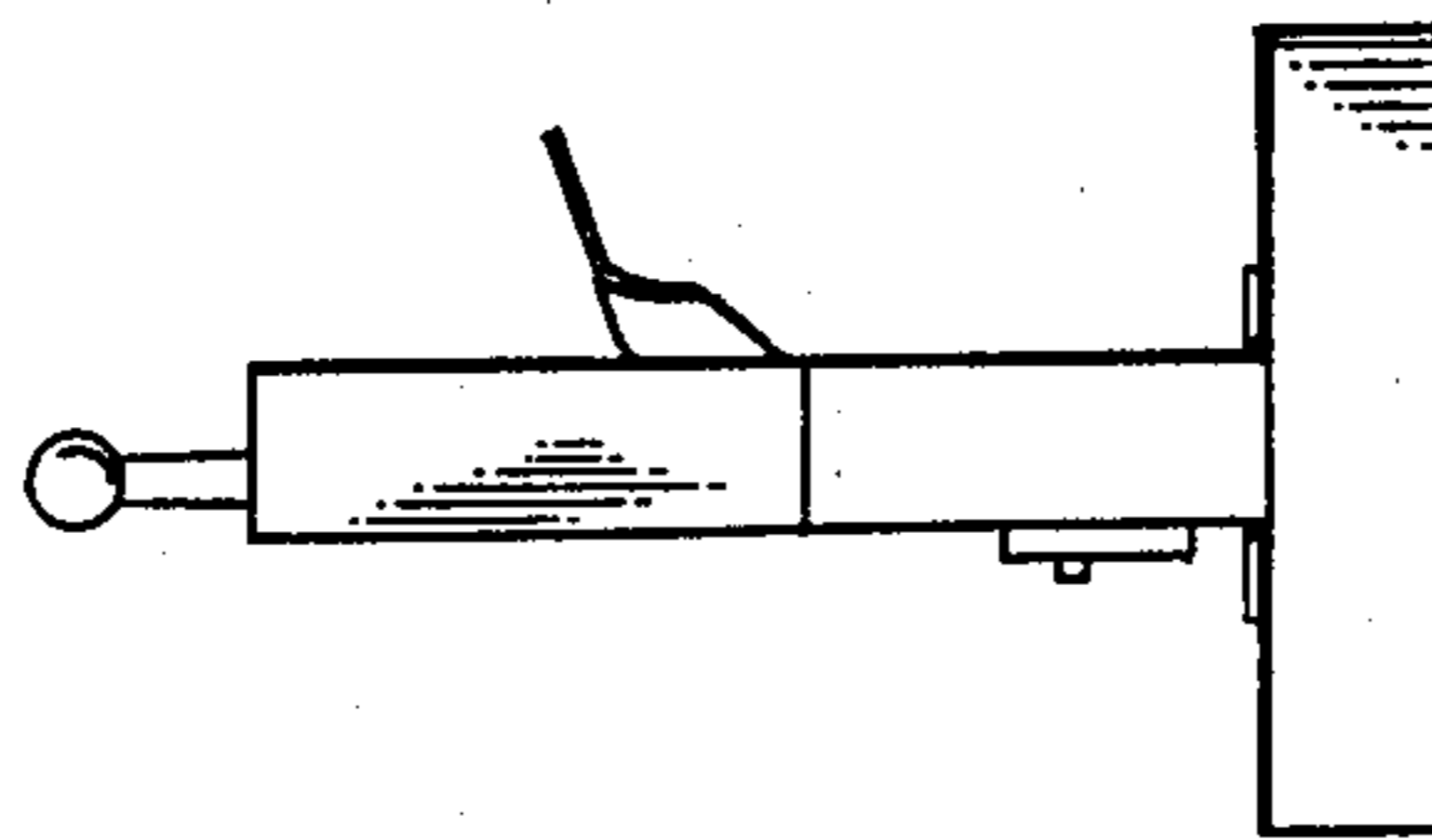


Fig. 4

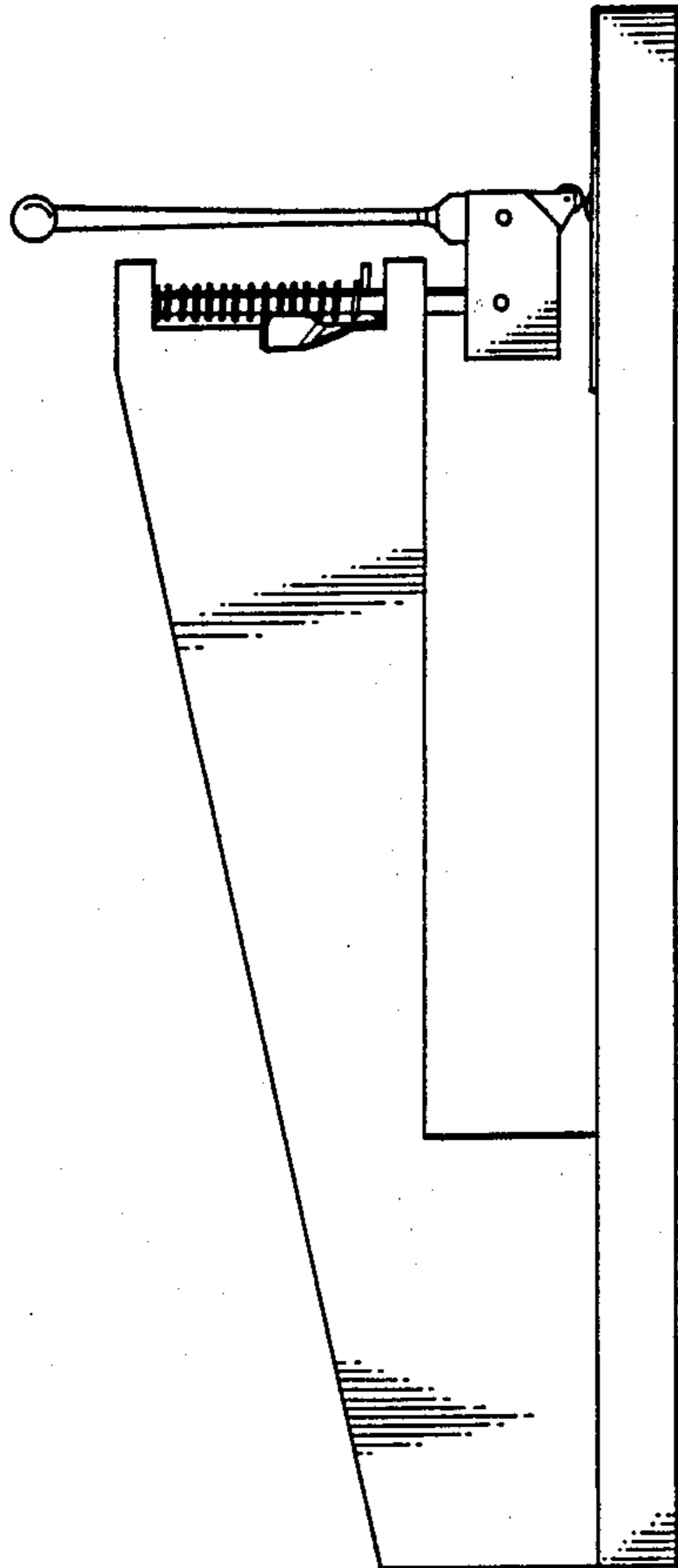


Fig. 5

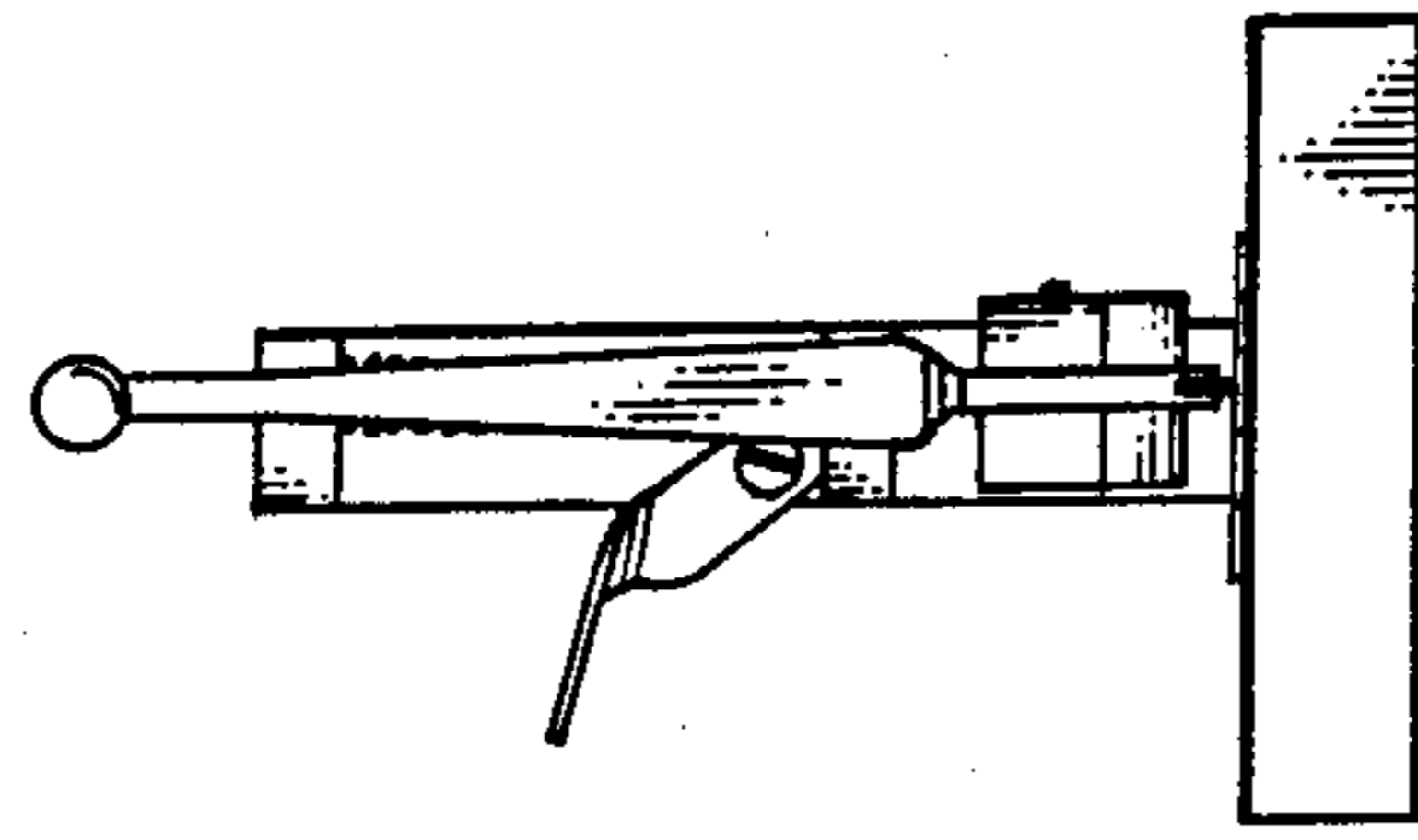


Fig. 6

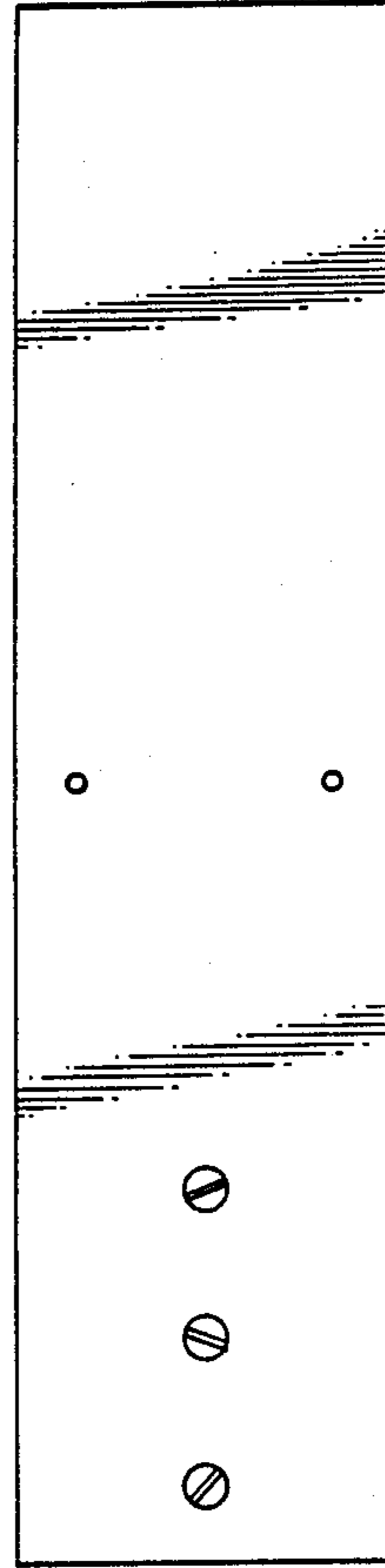


Fig. 7