

[54] **DISPOSABLE STAPLER**

[75] **Inventor: Bing Y. Chan, Kowloon, Hong Kong**

[73] **Assignee: Better Electronic Products Factory Ltd., Kowloon, Hong Kong**

[**] **Term: 14 Years**

[21] **Appl. No.: 89,290**

[22] **Filed: Aug. 25, 1987**

[30] **Foreign Application Priority Data**

Feb. 25, 1987 [GB]	United Kingdom	1040249
[52] U.S. Cl.		D8/50
[58] Field of Search	D8/49, 50; 227/120,	
	227/128, 132	

[56] **References Cited**

U.S. PATENT DOCUMENTS

D. 248,920	8/1978	Jalk et al.	D8/50
D. 295,015	4/1988	Ebihara	D8/50

Primary Examiner—Bernard Ansher
Assistant Examiner—Terry A. Pfeffer
Attorney, Agent, or Firm—Townsend and Townsend

[57] **CLAIM**

The ornamental design for a disposable stapler, as shown and described.

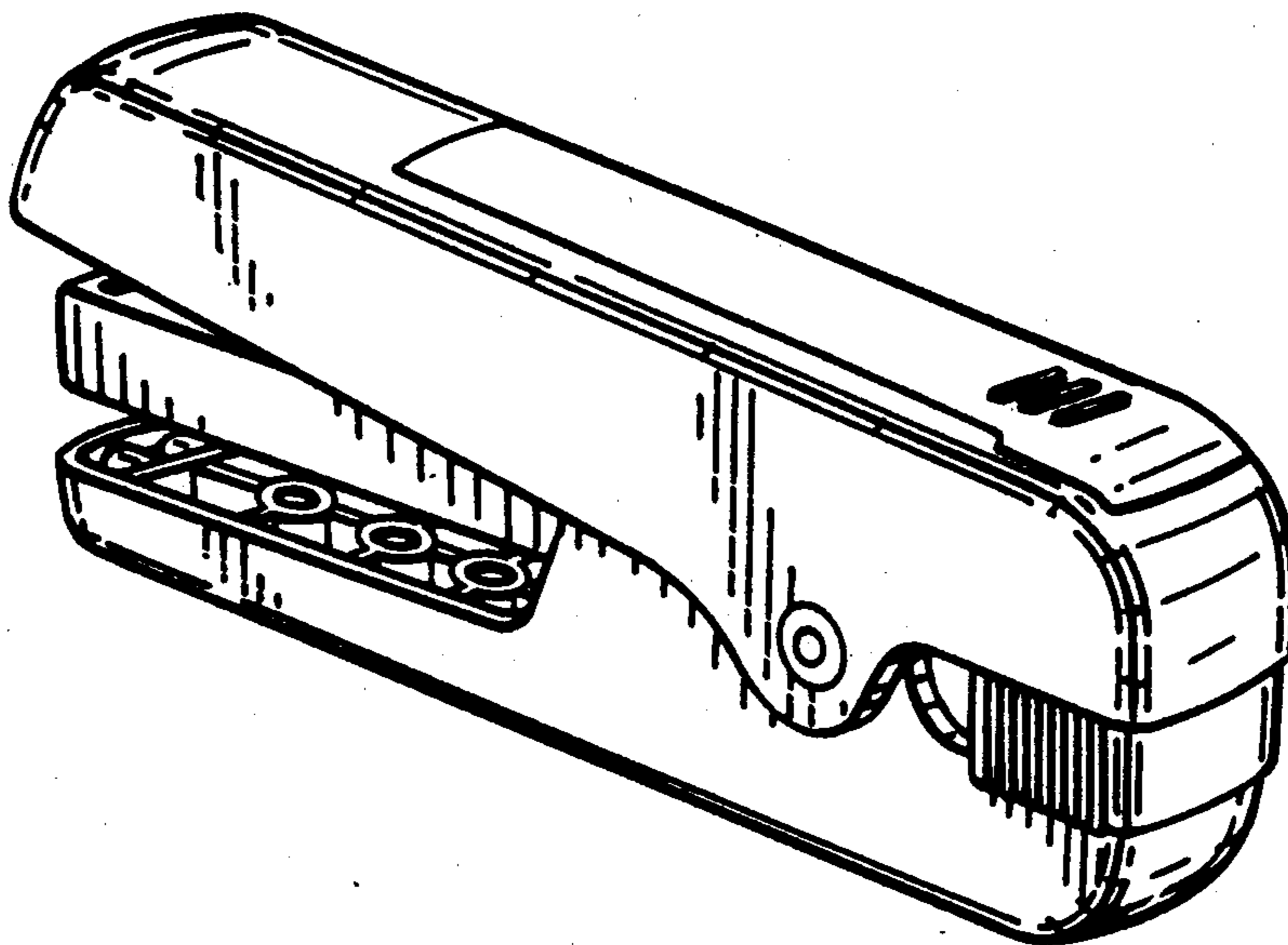
DESCRIPTION

FIG. 1 is a right side elevational view of a disposable stapler showing my new design, the opposite side being a mirror image;

FIG. 2 is a rear, top, right side perspective view thereof;

FIG. 3 is a front, bottom, left side perspective view thereof; and

FIG. 4 is a rear elevational view thereof.



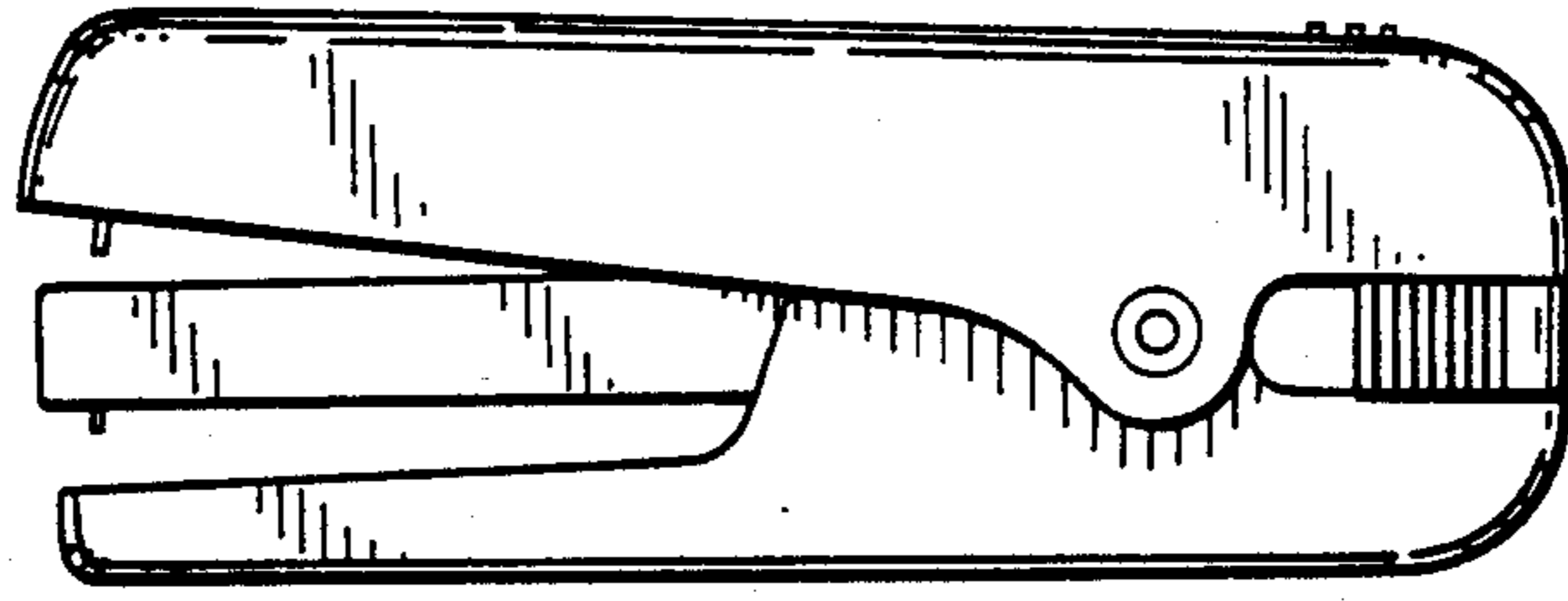


FIG. 1.

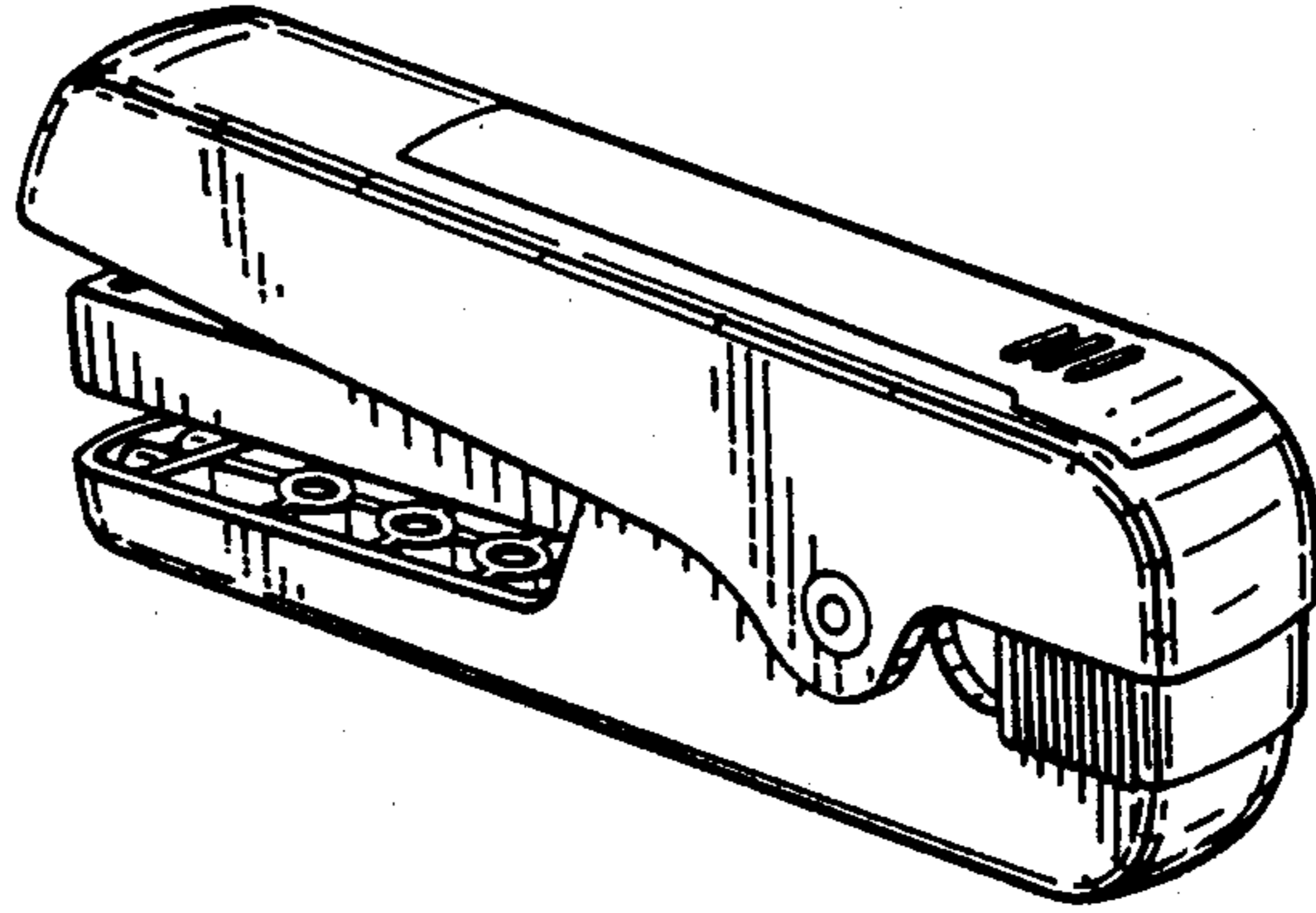


FIG. 2.

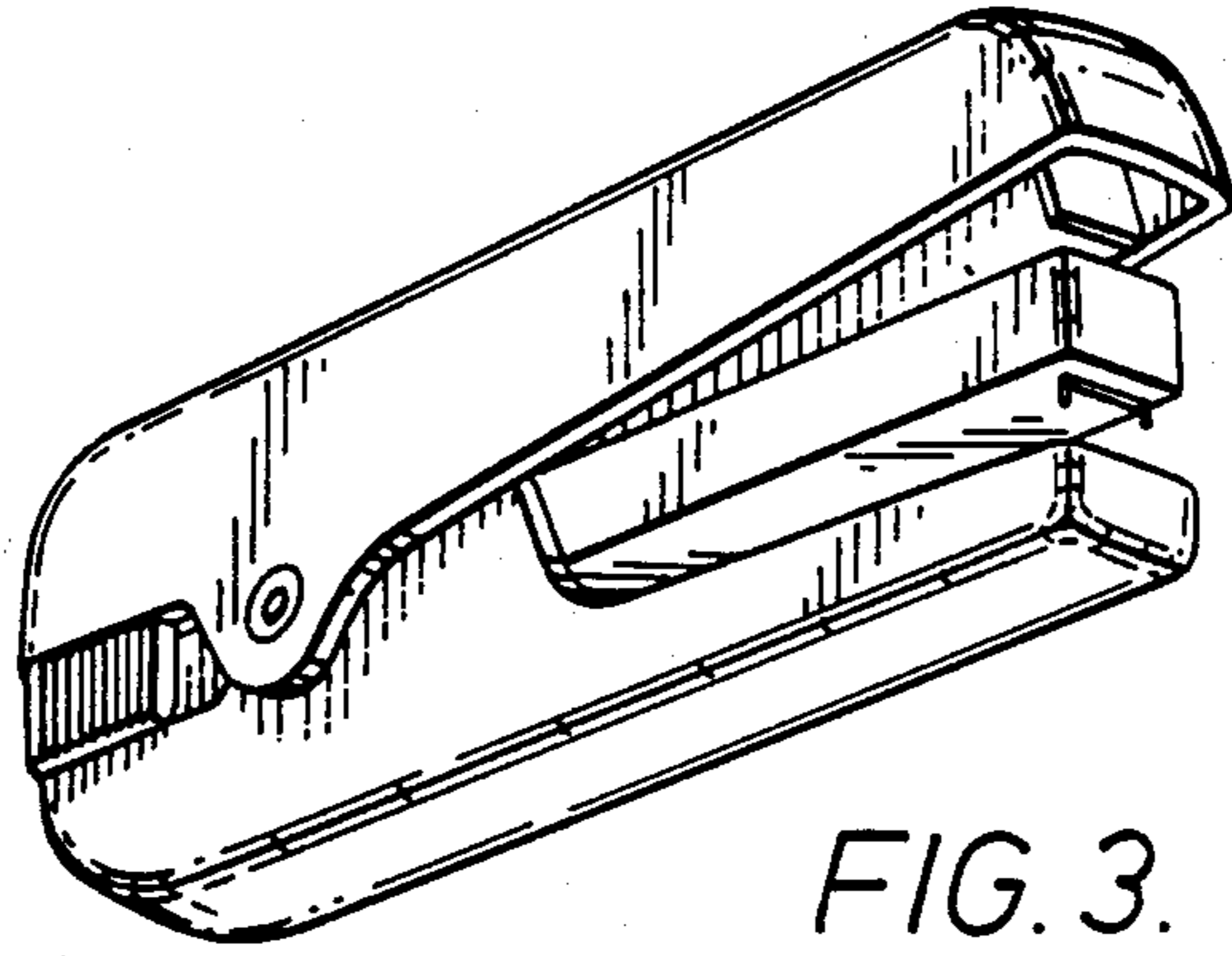


FIG. 3.



FIG. 4.