

[54] **FOOD PROCESSOR ATTACHMENT FOR A BLENDER**

[75] Inventor: Alfred W. Madl, Glendale, Wis.

[73] Assignee: Sunbeam Corporation, Downers Grove, Ill.

[**] Term: 14 Years

[21] Appl. No.: 929,260

[22] Filed: Nov. 10, 1986

[52] U.S. Cl. D7/414; D7/384

[58] Field of Search D7/368-374, D7/376-384, 386, 48, 49, 412-415

[56] **References Cited**

U.S. PATENT DOCUMENTS

- D. 241,404 9/1976 Mantelet D7/384
- D. 254,702 4/1980 Tsuji et al. D7/49
- D. 259,385 6/1981 Levin D7/49 X
- D. 290,676 7/1987 Stutzer et al. D7/383 X

OTHER PUBLICATIONS

Schoner Wohnen, Nov. 1979, p. 244, first column-second product, Bosch Juicer.

Home Furnishings Daily, Apr. 30, 1979, Moulinex Supplement, p. 2, upper left corner, La Machine Elite Model.

Home Furnishings Daily, Apr. 30, 1979, Moulinex Supplement, p. 3, lower right corner, The Dough Works.

Primary Examiner—Winifred E. Herrmann

Assistant Examiner—John Warchol

Attorney, Agent, or Firm—Neil M. Rose

[57] **CLAIM**

The ornamental design for a food processor attachment for a blender, as shown and described.

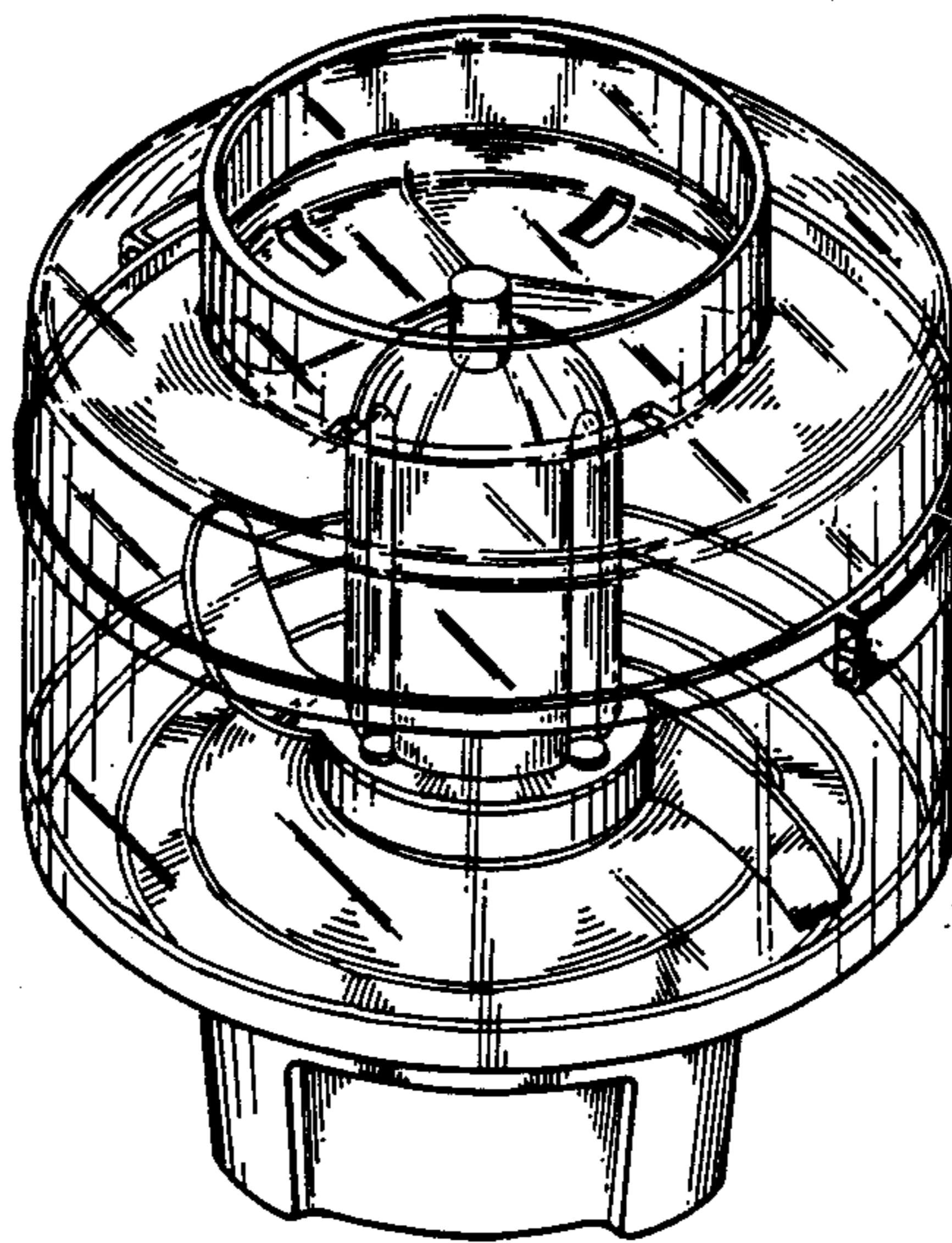
DESCRIPTION

FIG. 1 is a perspective view of a food processor attachment for a blender showing my new design;

FIG. 2 is an elevational view thereof;

FIG. 3 is a top plan view thereof; and

FIG. 4 is a bottom plan view thereof.



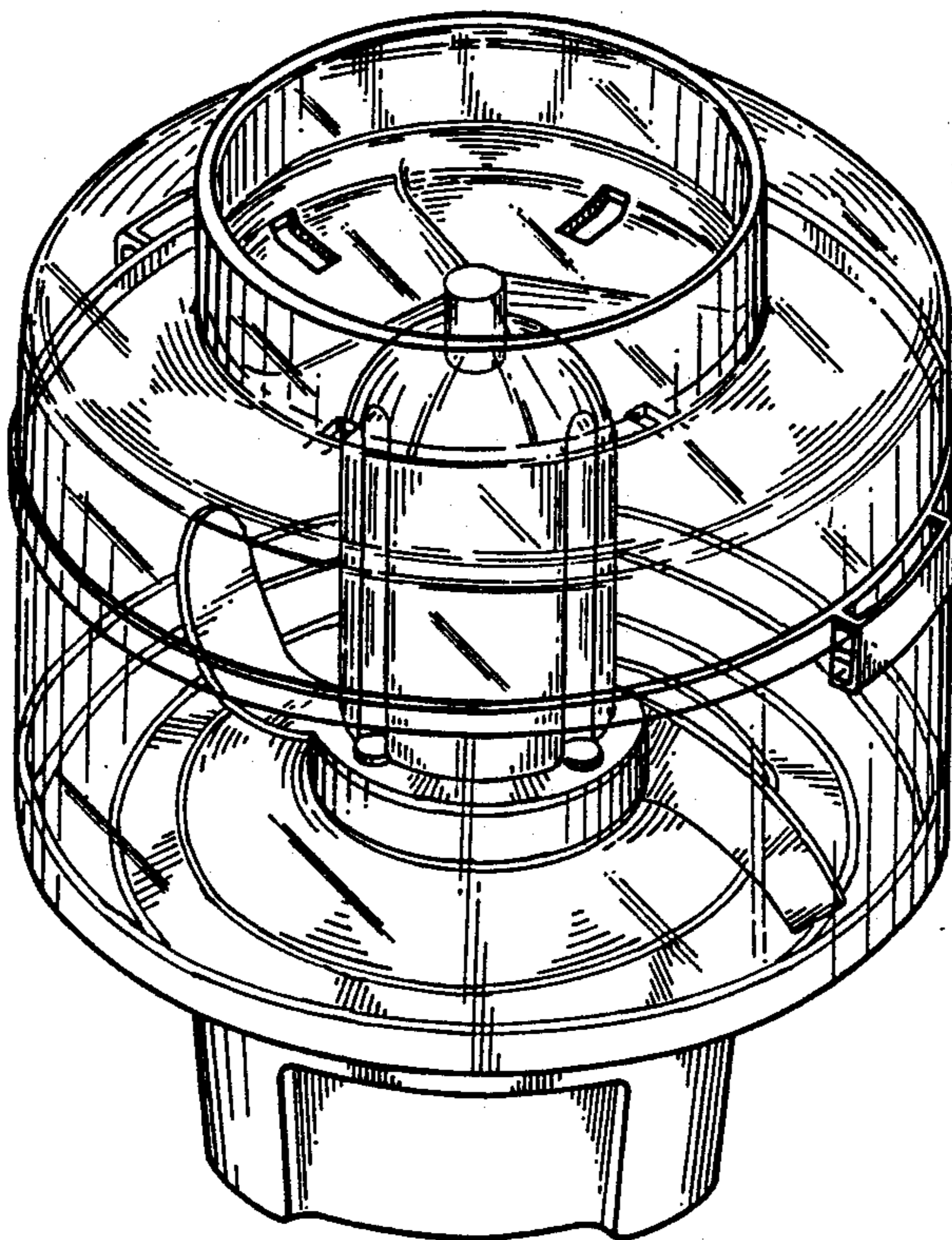


Fig. 1

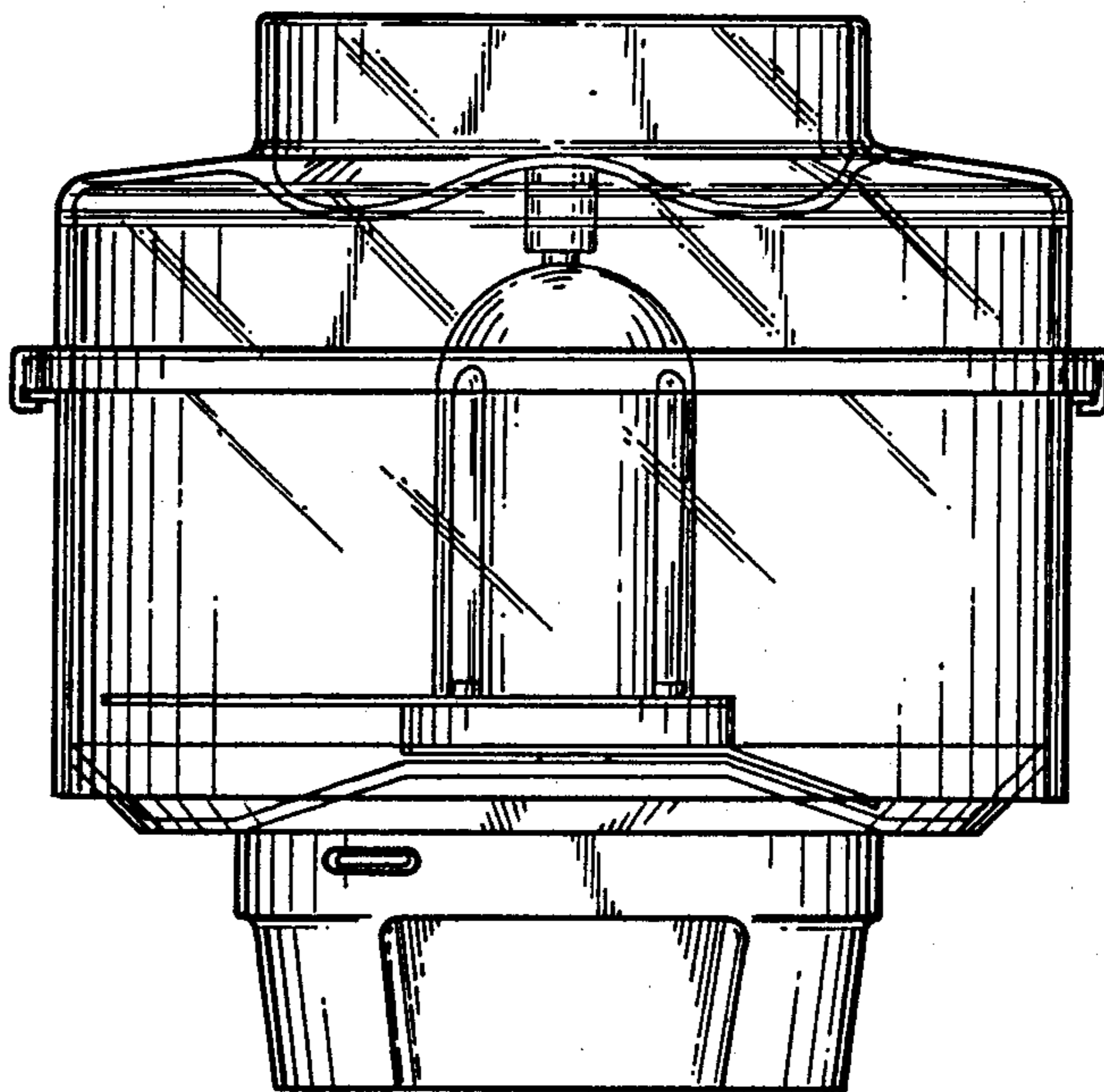


Fig. 2

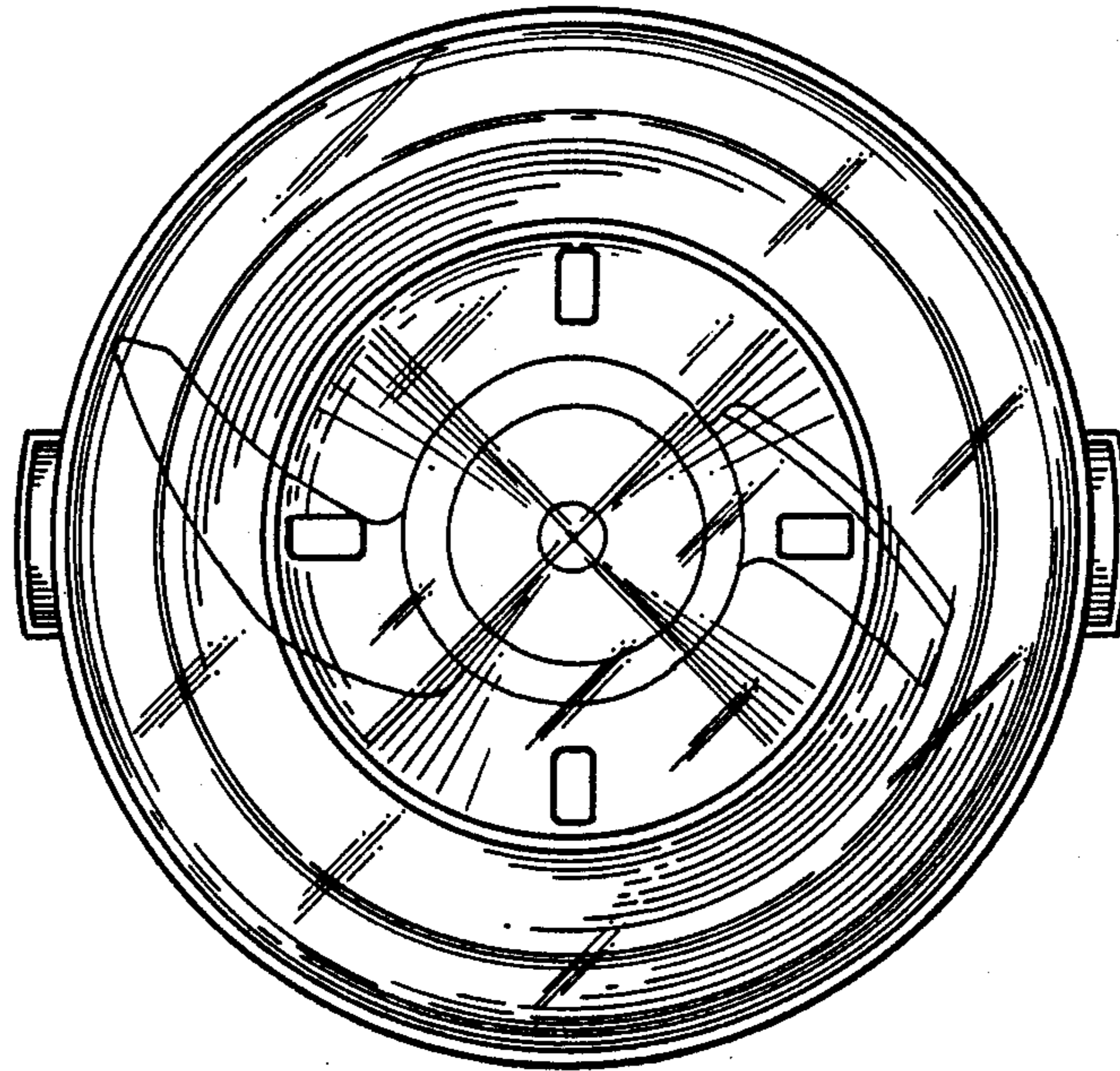


Fig. 3

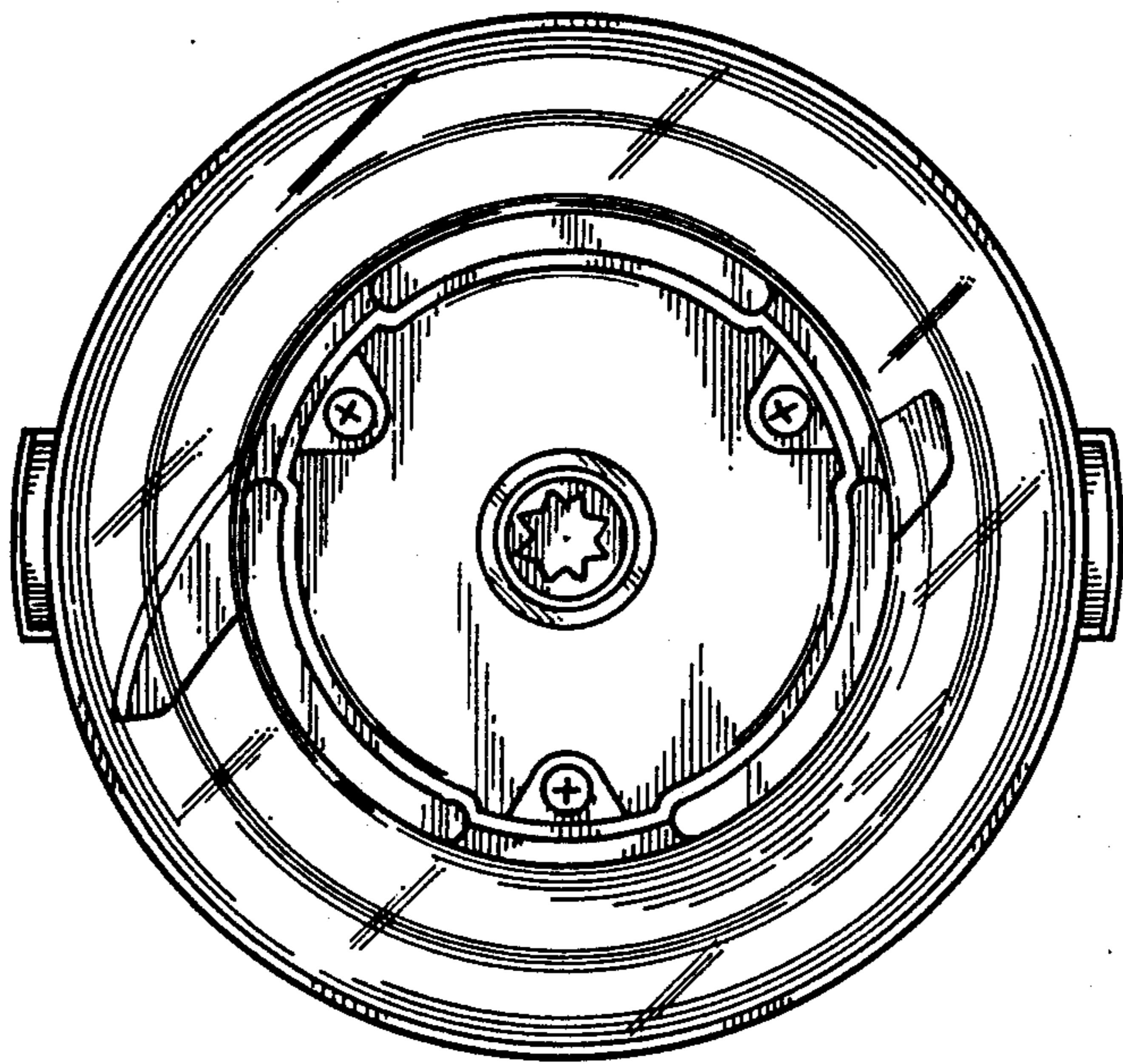


Fig. 4