

[54] COOKING PAN

[75] Inventor: Horst Schultz, Massenheim, Fed. Rep. of Germany

[73] Assignee: AMC International Alfa Metalcraft Corporation AG, Switzerland

[**] Term: 14 Years

[21] Appl. No.: 943,915

[22] Filed: Dec. 17, 1986

[30] Foreign Application Priority Data

Jun. 19, 1986 [CH] Switzerland DMA/000510

[52] U.S. Cl. D7/361

[58] Field of Search D7/354, 360, 361, 358, D7/393; 16/114 A, 110 A

[56] References Cited

U.S. PATENT DOCUMENTS

- D. 199,747 12/1964 Farber D7/354
- D. 230,690 3/1974 Aries D7/361
- D. 233,928 12/1974 Sams et al. D7/361
- 2,442,454 6/1948 Bodell 16/110 A
- 3,143,759 8/1964 Kennedy 16/114 A X

FOREIGN PATENT DOCUMENTS

2831194 1/1980 Fed. Rep. of Germany ... 16/110 A

OTHER PUBLICATIONS

West Bend-Supplement to Home Furnishings Daily, Tues., Jul. 13, 1976, p. 2, bottom r. Saucepan/Speckled Beige No-Stick Interior.

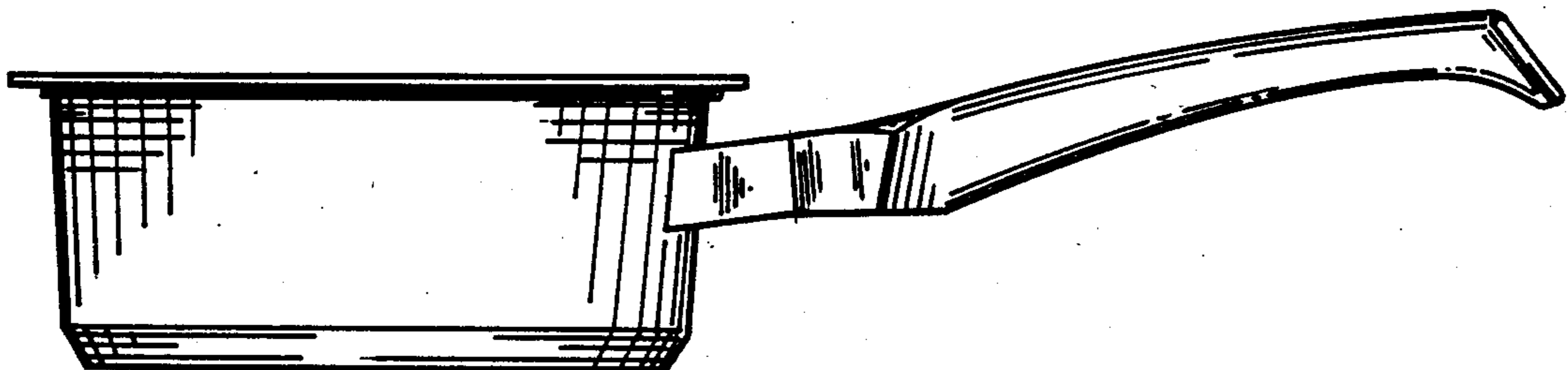
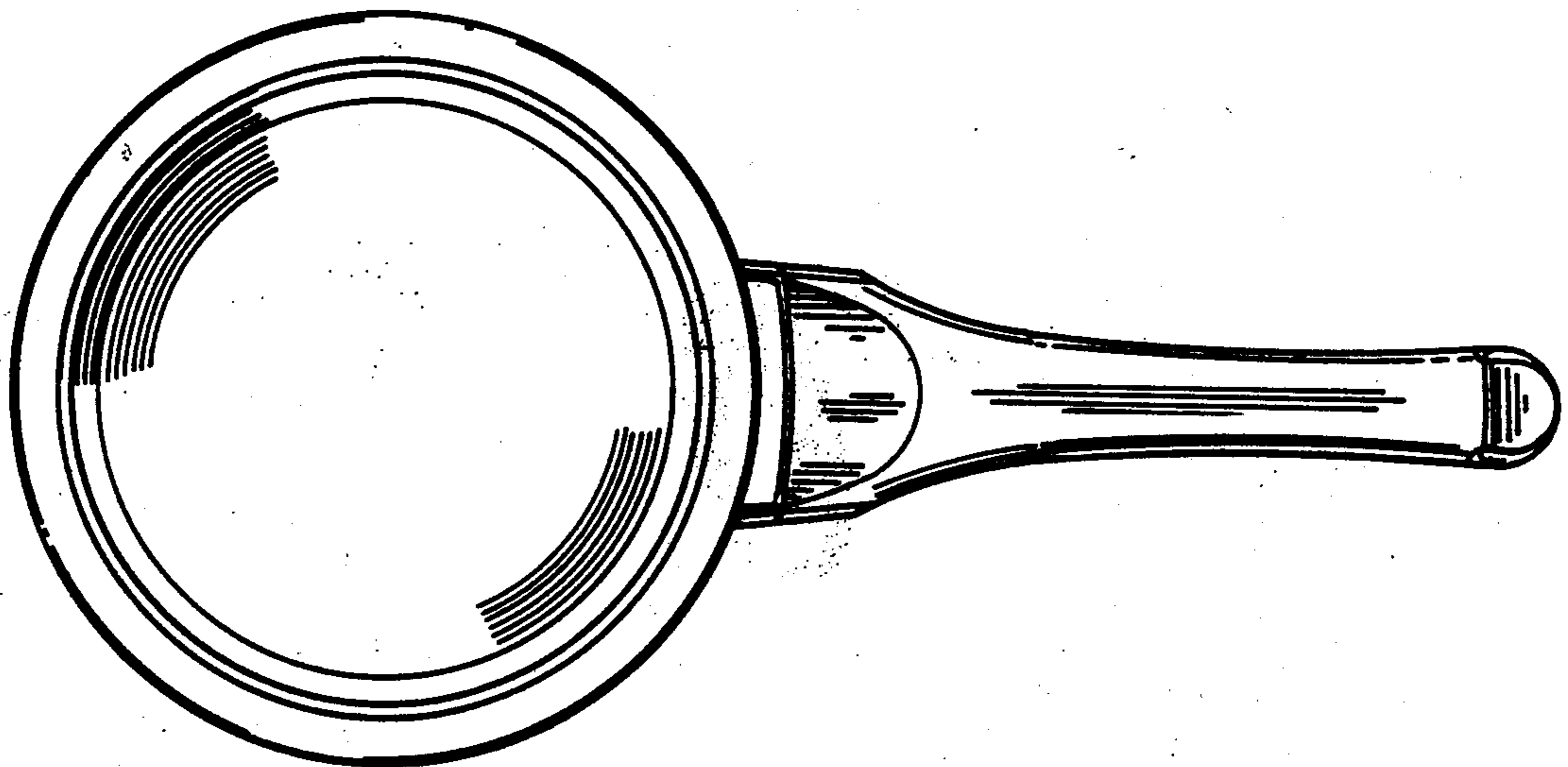
Primary Examiner—Winifred E. Herrmann
Attorney, Agent, or Firm—Webb, Burden, Ziesenheim & Webb

[57] CLAIM

The ornamental design for a cooking pan, as shown.

DESCRIPTION

FIG. 1 is a top, right side perspective view of a cooking pan showing my new design; FIG. 2 is a top plan view thereof; FIG. 3 is a bottom plan view thereof; FIG. 4 is a front elevational view thereof; FIG. 5 is a rear elevational view thereof; FIG. 6 is a right side elevational view thereof; and FIG. 7 is a left side elevational view thereof.



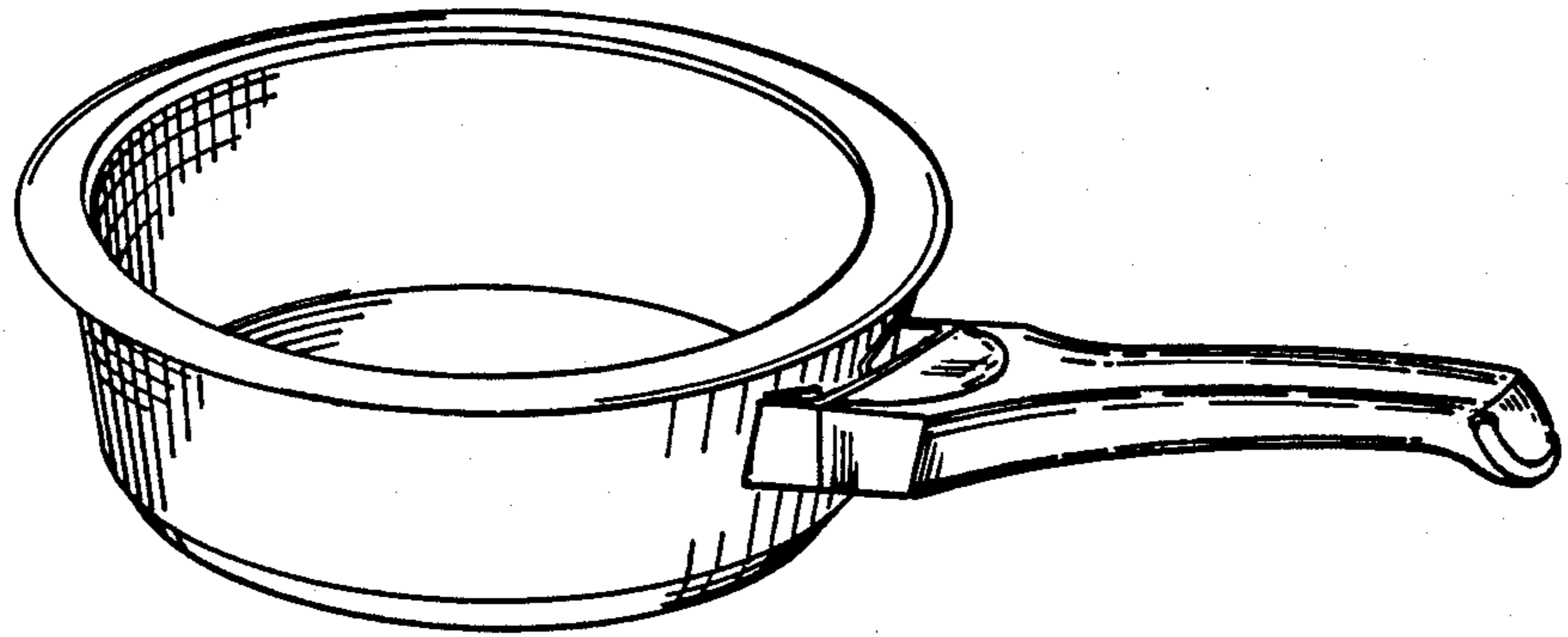


FIG. 1

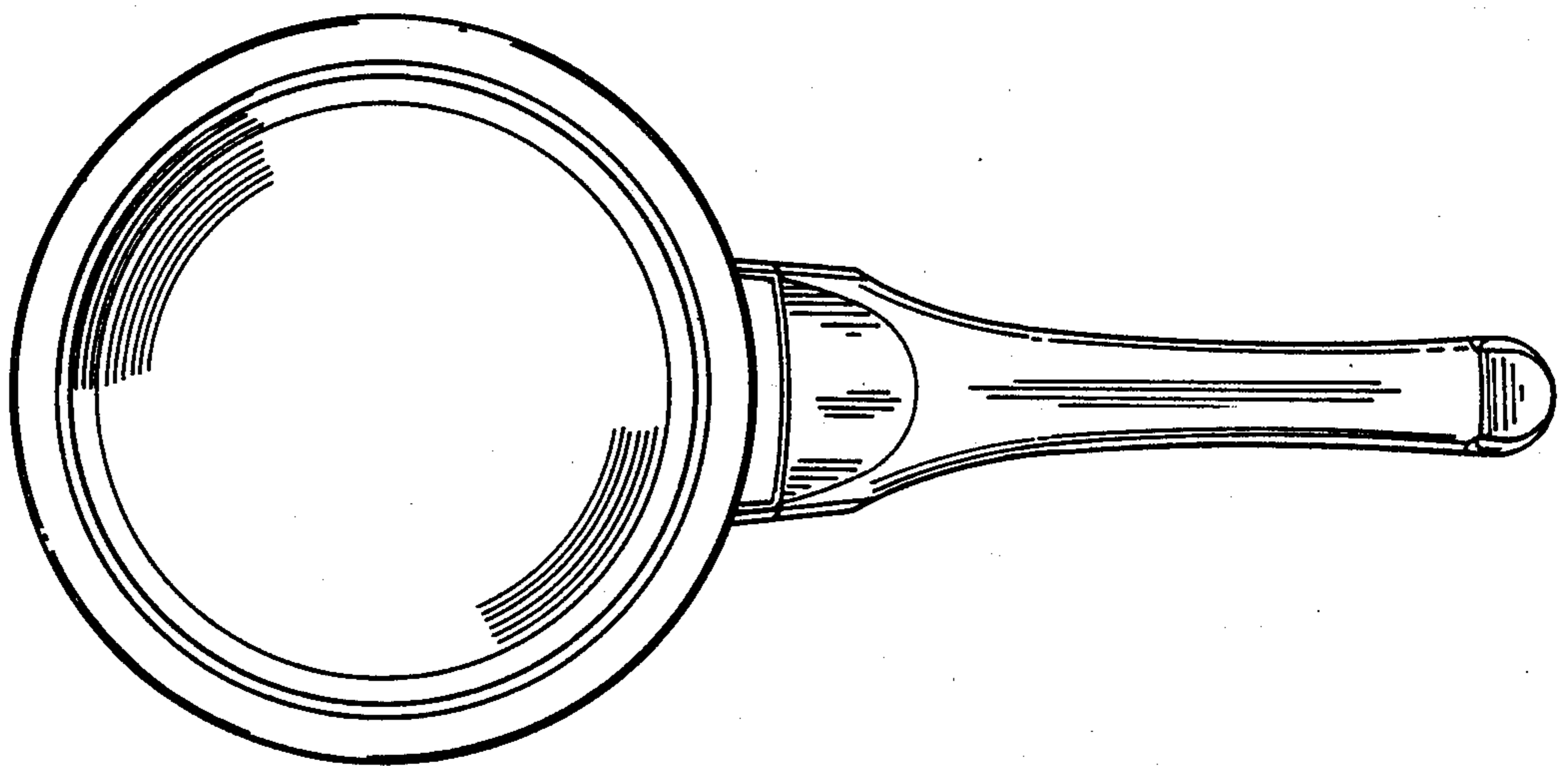


FIG. 2

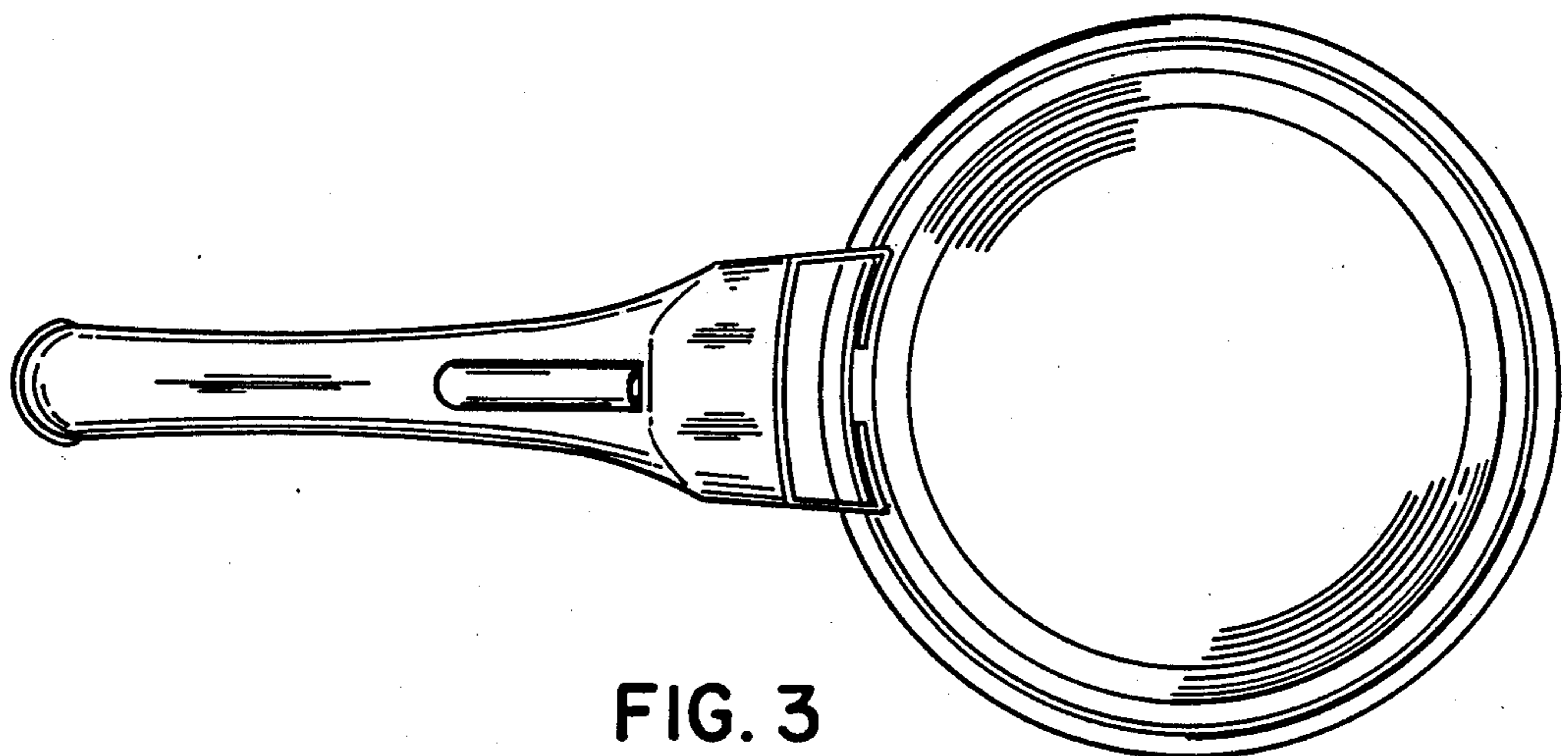


FIG. 3

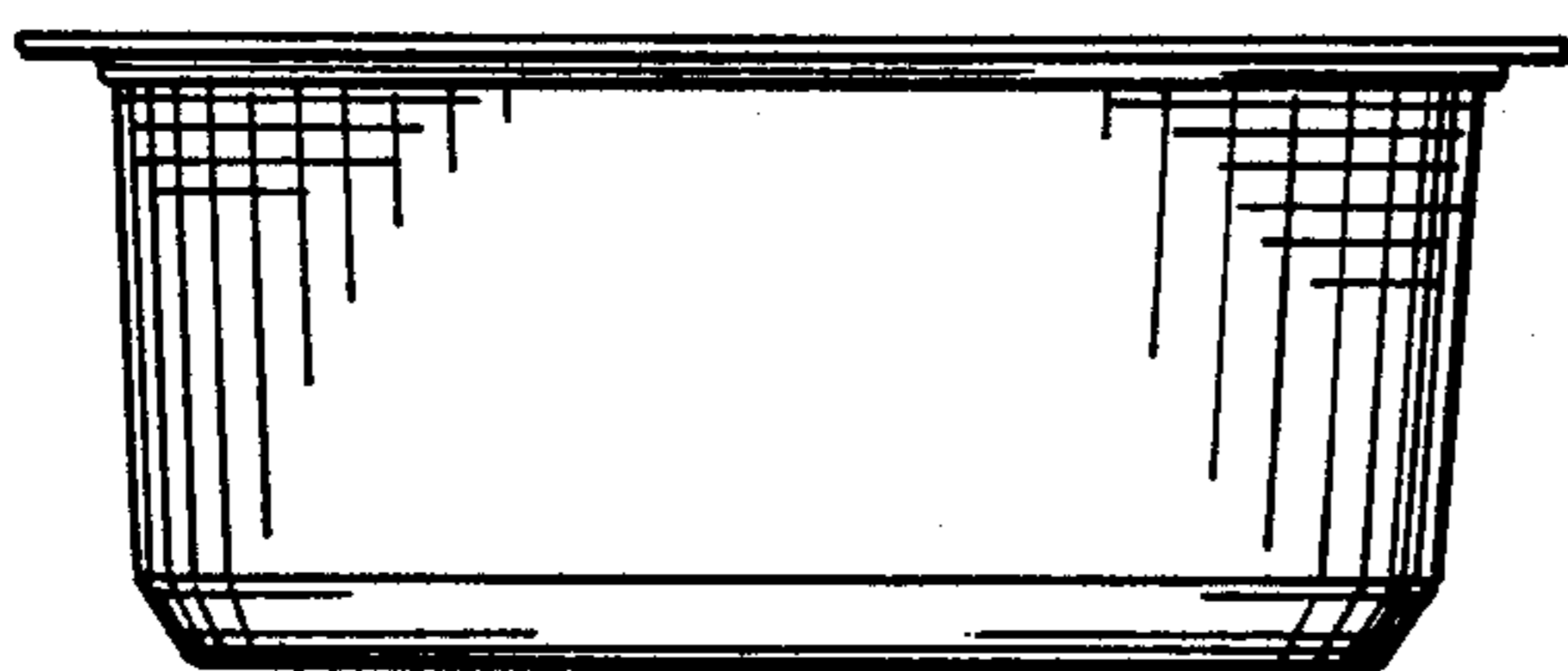


FIG. 4

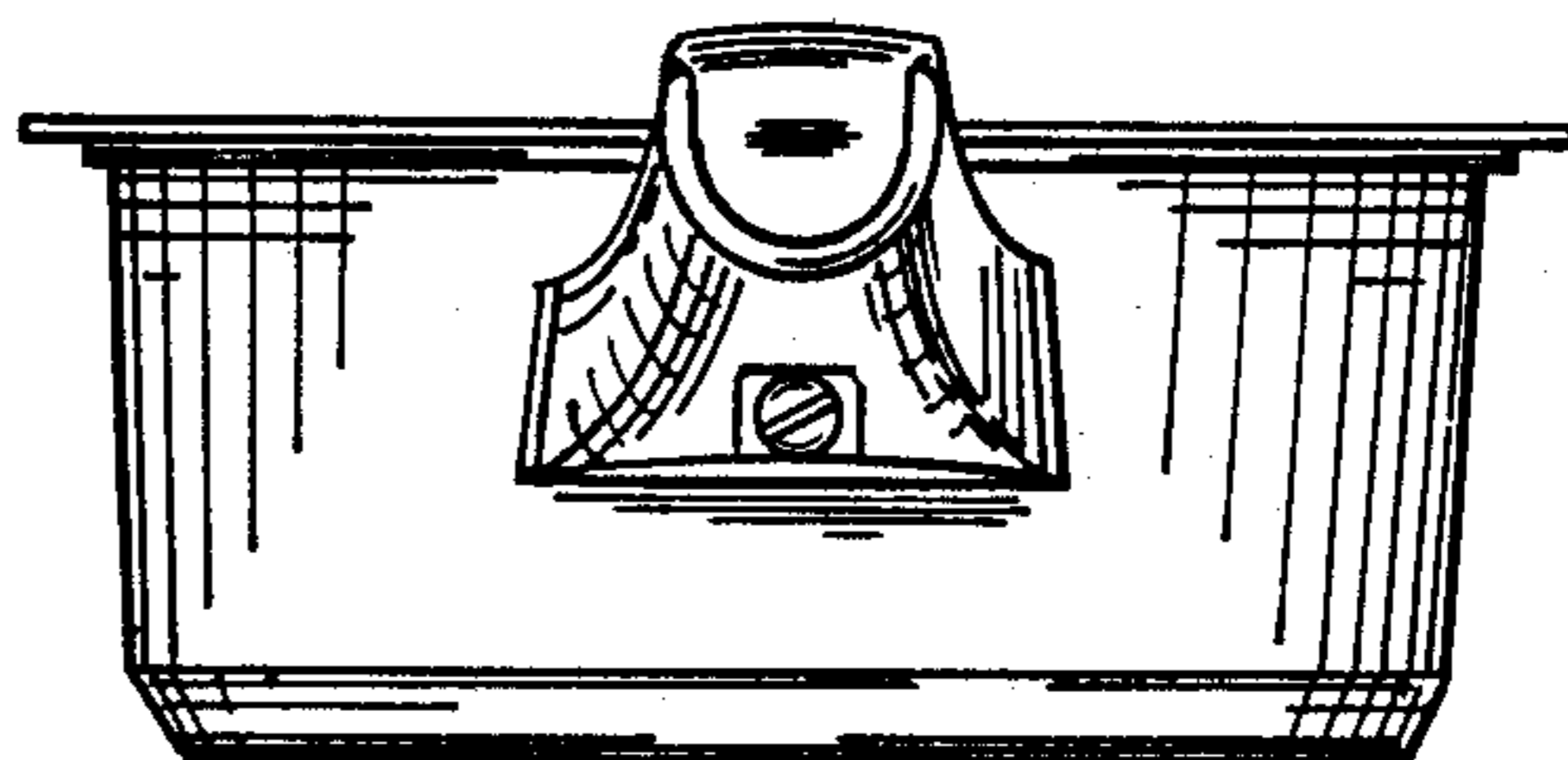


FIG. 5

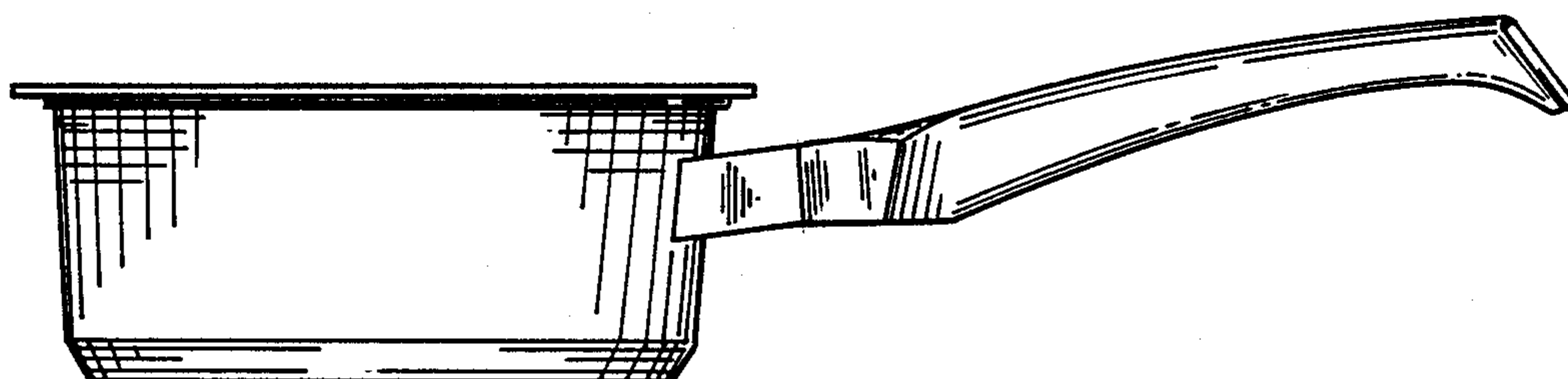


FIG. 6

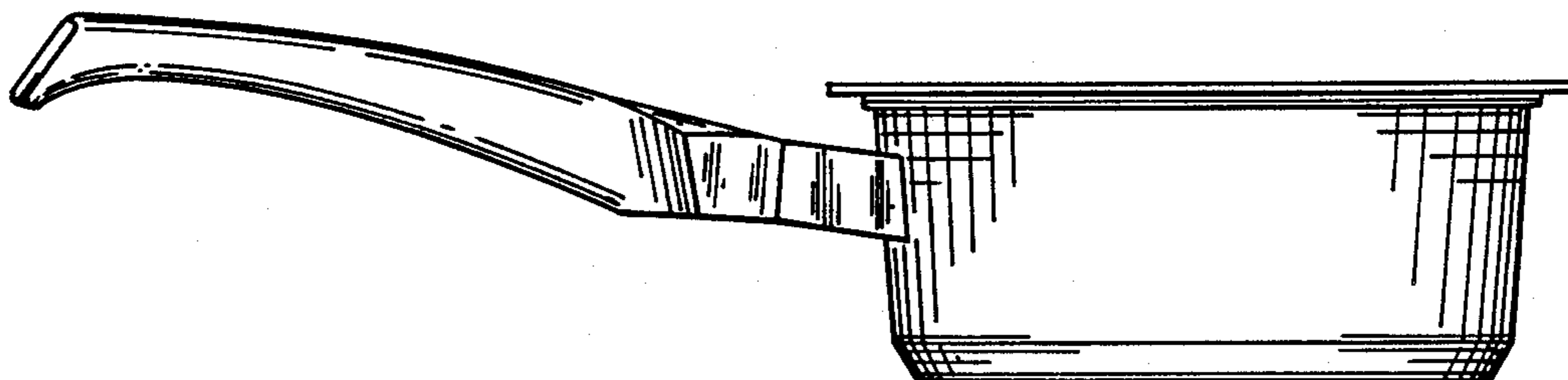


FIG. 7