

[54] TIERED INSERT FOR A DISPLAY TRAY

[75] Inventors: Terrence G. Pfleuger, Forestville; Lawrence E. Morrison, Fredonia; Gary C. Planty, Brocton, all of N.Y.

[73] Assignee: Sandoz Ltd., Basel, Switzerland

[**] Term: 14 Years

[21] Appl. No.: 20,650

[22] Filed: Mar. 2, 1987

[52] U.S. Cl. D6/511; D6/474

[58] Field of Search D6/455, 456, 457, 474, D6/476, 509, 510, 511; 211/13, 128; D9/455, 456, 457

[56] References Cited

U.S. PATENT DOCUMENTS

- D. 86,761 4/1932 Brooks D6/476 X
- D. 147,084 7/1947 Reinecke D6/474
- D. 211,139 5/1968 Nowak D6/510
- D. 250,441 12/1978 Richman et al. D6/474 X
- D. 256,199 8/1980 Burke et al. D6/476 X

Primary Examiner—Carmen H. Vales-Lado
Attorney, Agent, or Firm—Gerald D. Sharkin; Richard E. Vila; Joanne M. Giesser

[57] CLAIM

The ornamental design for a tiered insert for a display tray, as shown and described.

DESCRIPTION

FIG. 1 is a perspective view of a tiered insert for a display tray showing my new design; FIG. 2 is a front elevational view thereof; FIG. 3 is a rear elevational view thereof; FIG. 4 is a right side elevational view, the broken line illustrating a display tray is shown for environmental structure only and forms no part of the claimed design; FIG. 5 is a left side elevational view thereof; FIG. 6 is a top plan view thereof; FIG. 7 is a bottom plan view thereof; FIG. 8 is a perspective view of a second embodiment of the tiered insert for a display tray shown in FIG. 1; FIG. 9 is a front elevational view thereof; FIG. 10 is a rear elevational view thereof; FIG. 11 is a right side elevational view thereof; FIG. 12 is a left side elevational view thereof; FIG. 13 is a top plan view thereof; FIG. 14 is a bottom plan view thereof; FIG. 15 is a perspective view of a third embodiment of the tiered insert for a display tray shown in FIG. 1; FIG. 16 is a front elevational view thereof; FIG. 17 is a rear elevational view thereof; FIG. 18 is a top plan view thereof; the side elevational views being identical to FIGS. 4 and 5 respectively; FIG. 19 is a perspective view of a fourth embodiment of the tiered insert for a display tray shown in FIG. 1; FIG. 20 is a front elevational view thereof; FIG. 21 is a rear elevational view thereof; and FIG. 22 is a top plan view thereof, the side elevational views being identical to FIGS. 11 and 12 respectively.

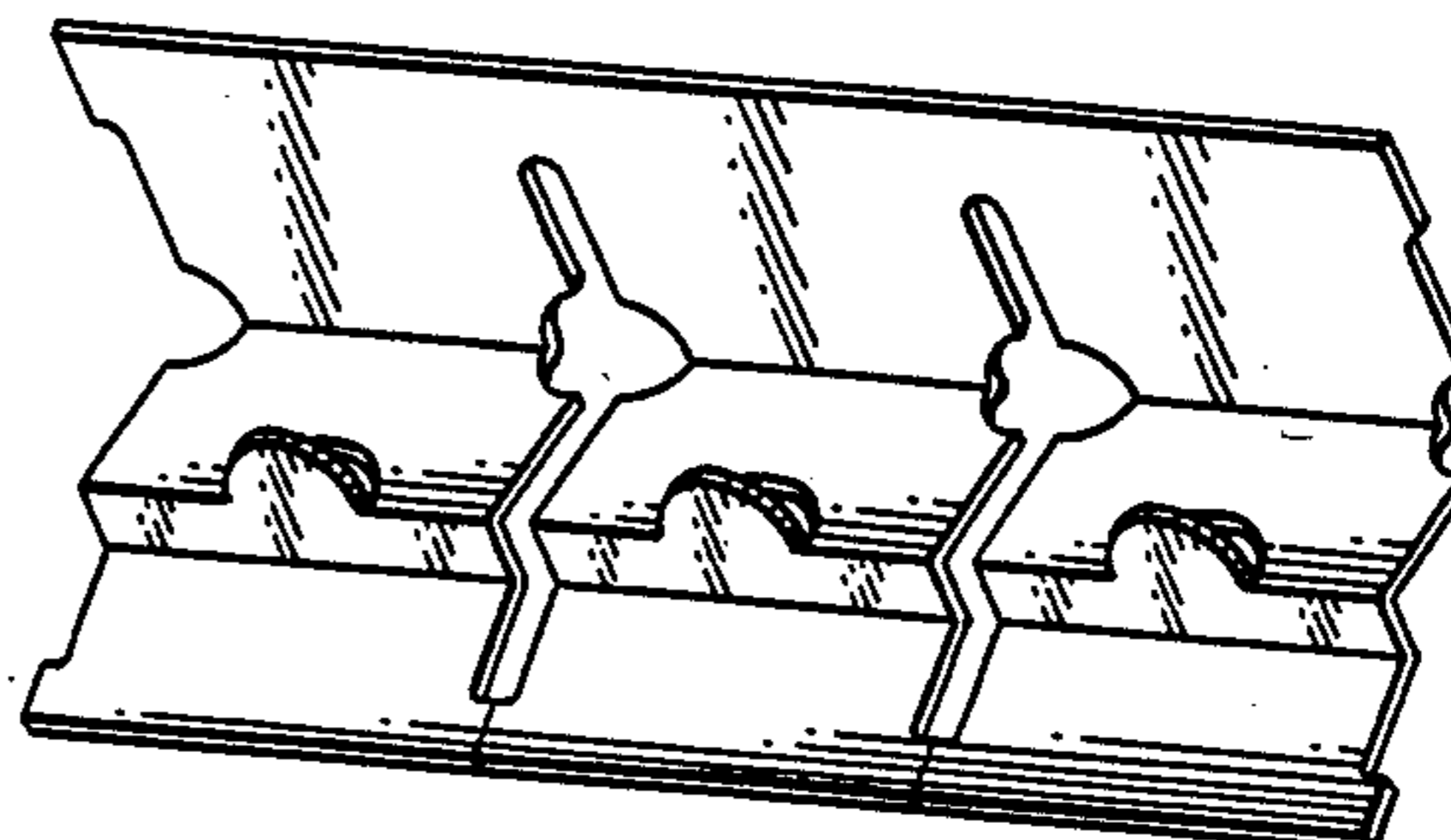
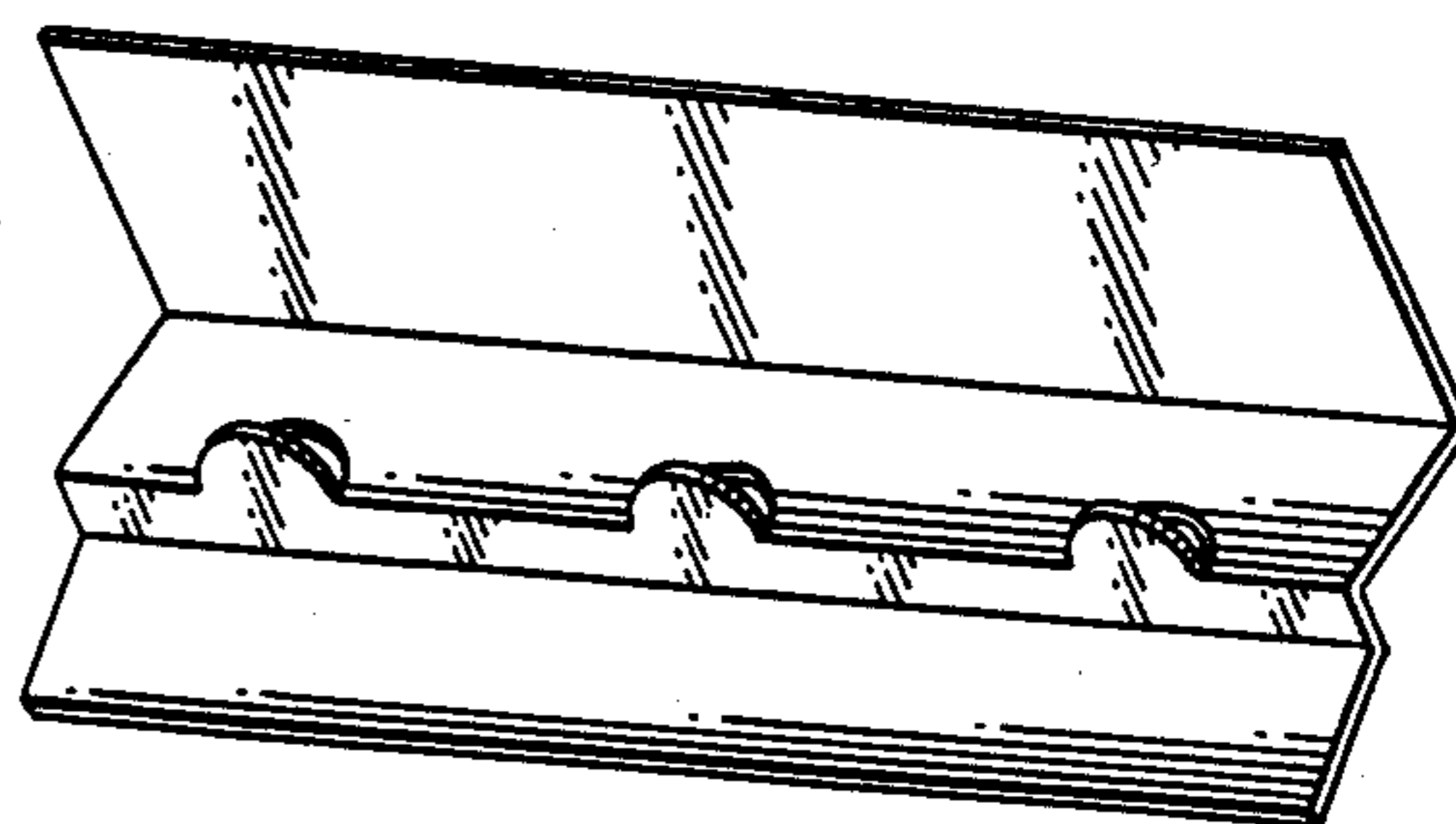
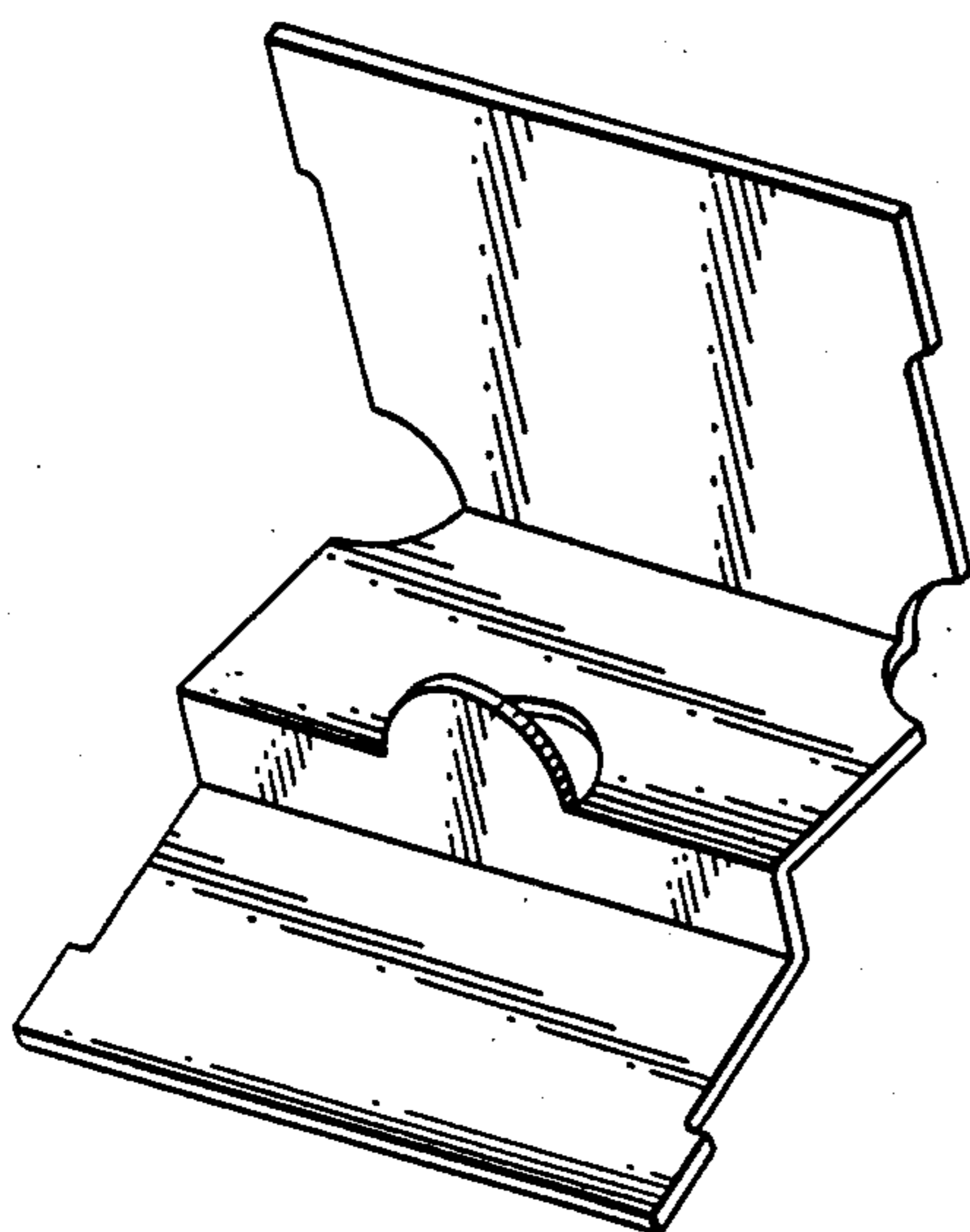


Fig. 1.

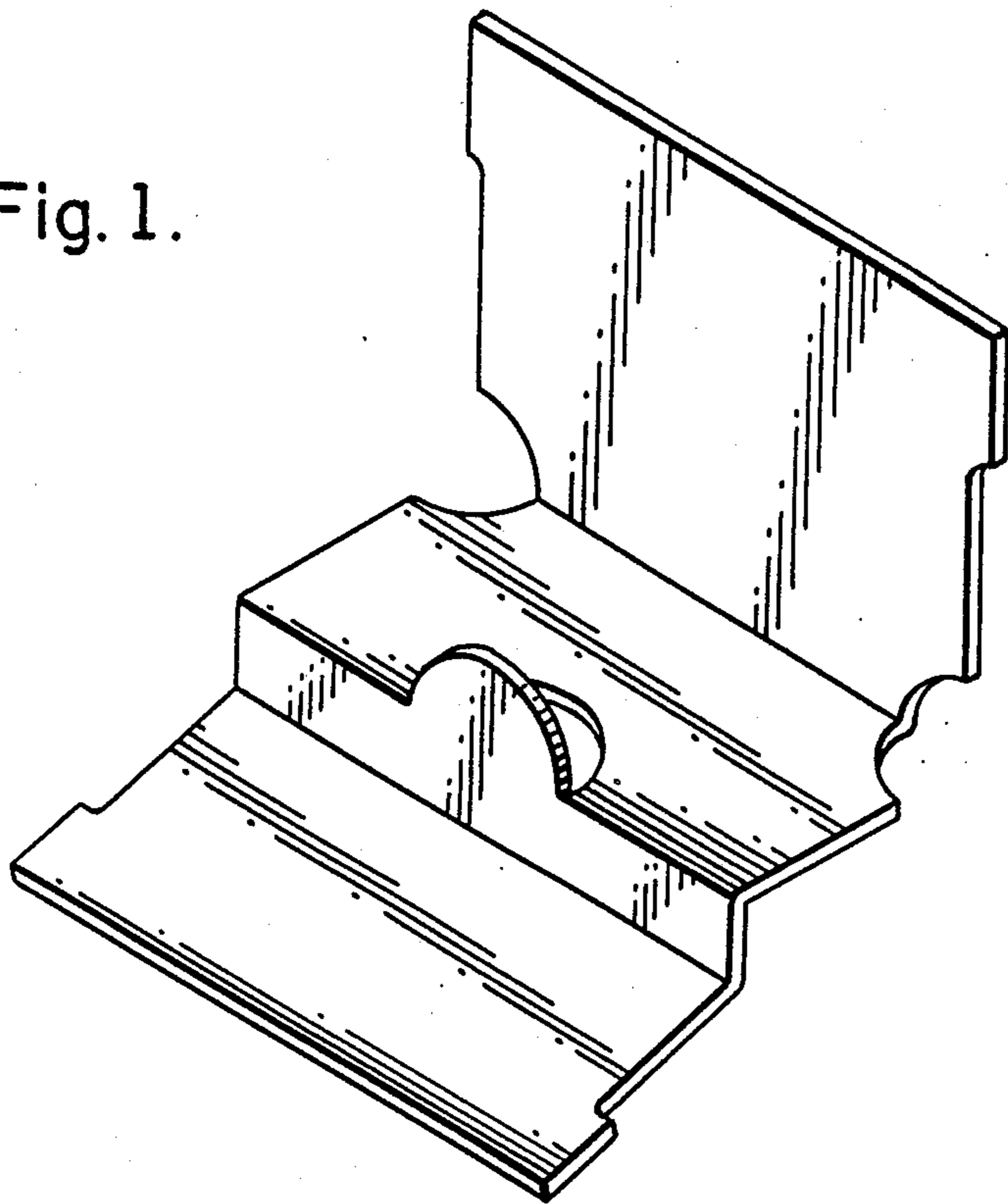


Fig. 2.

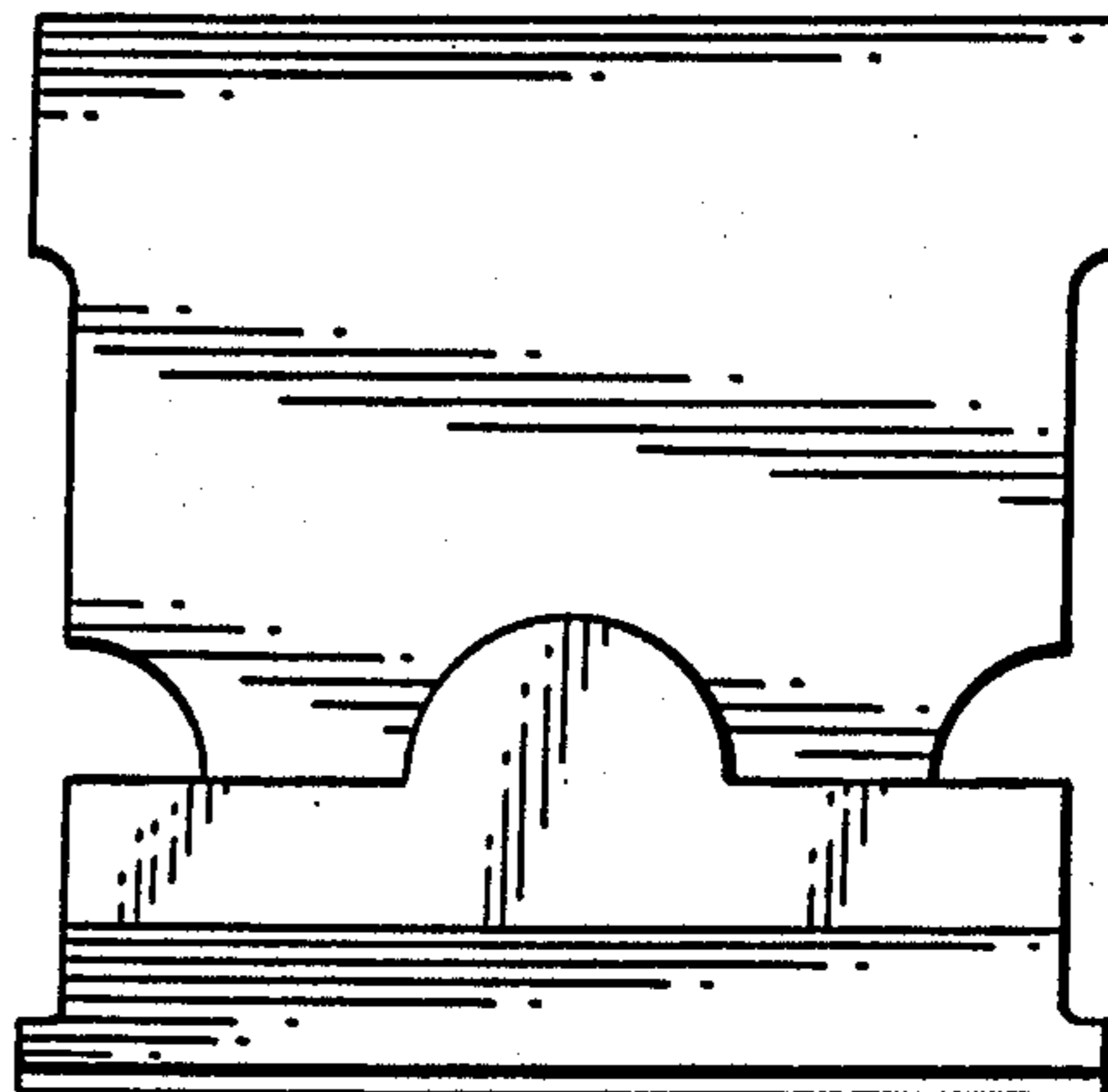


Fig. 3.

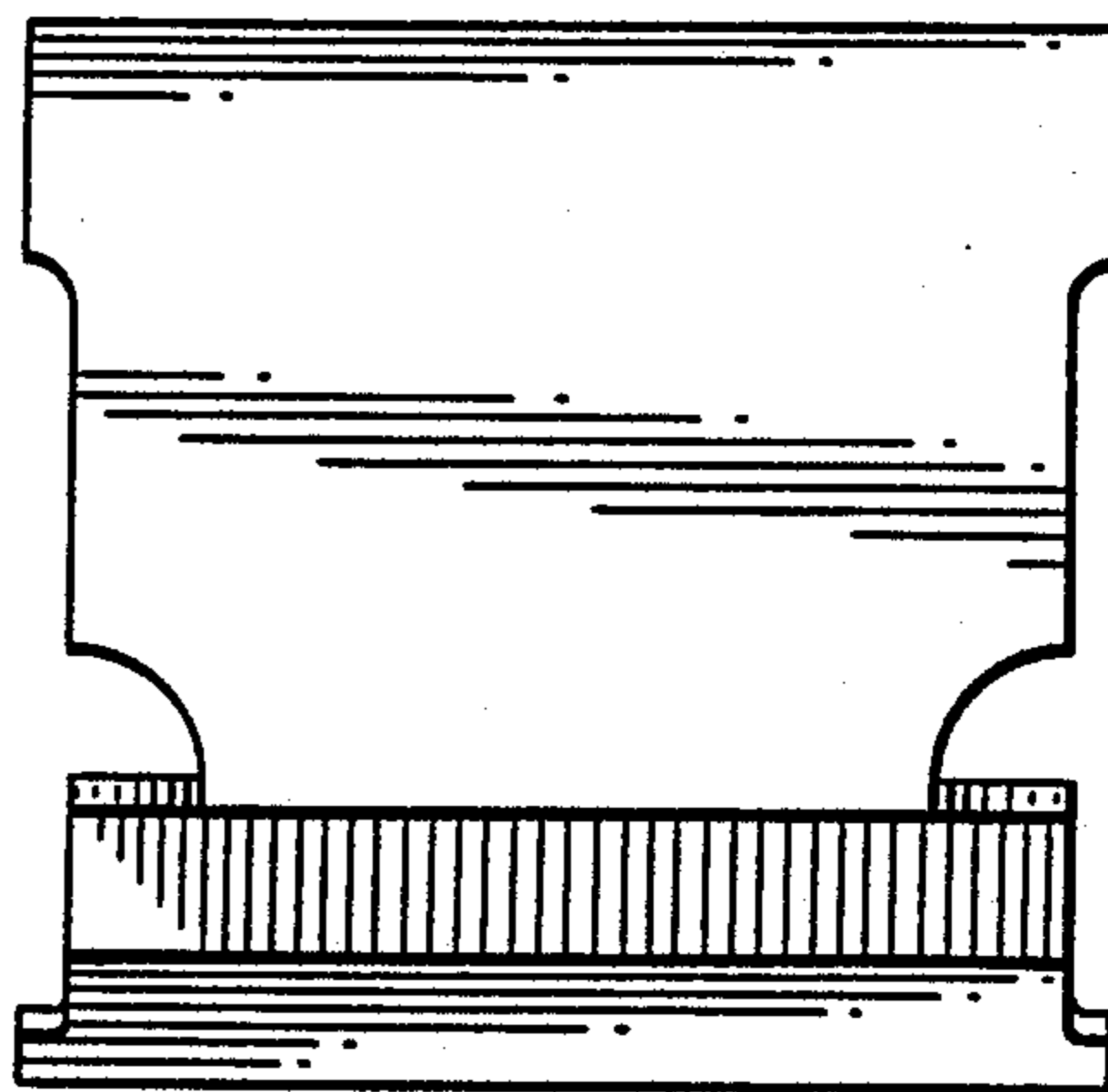


Fig. 4.

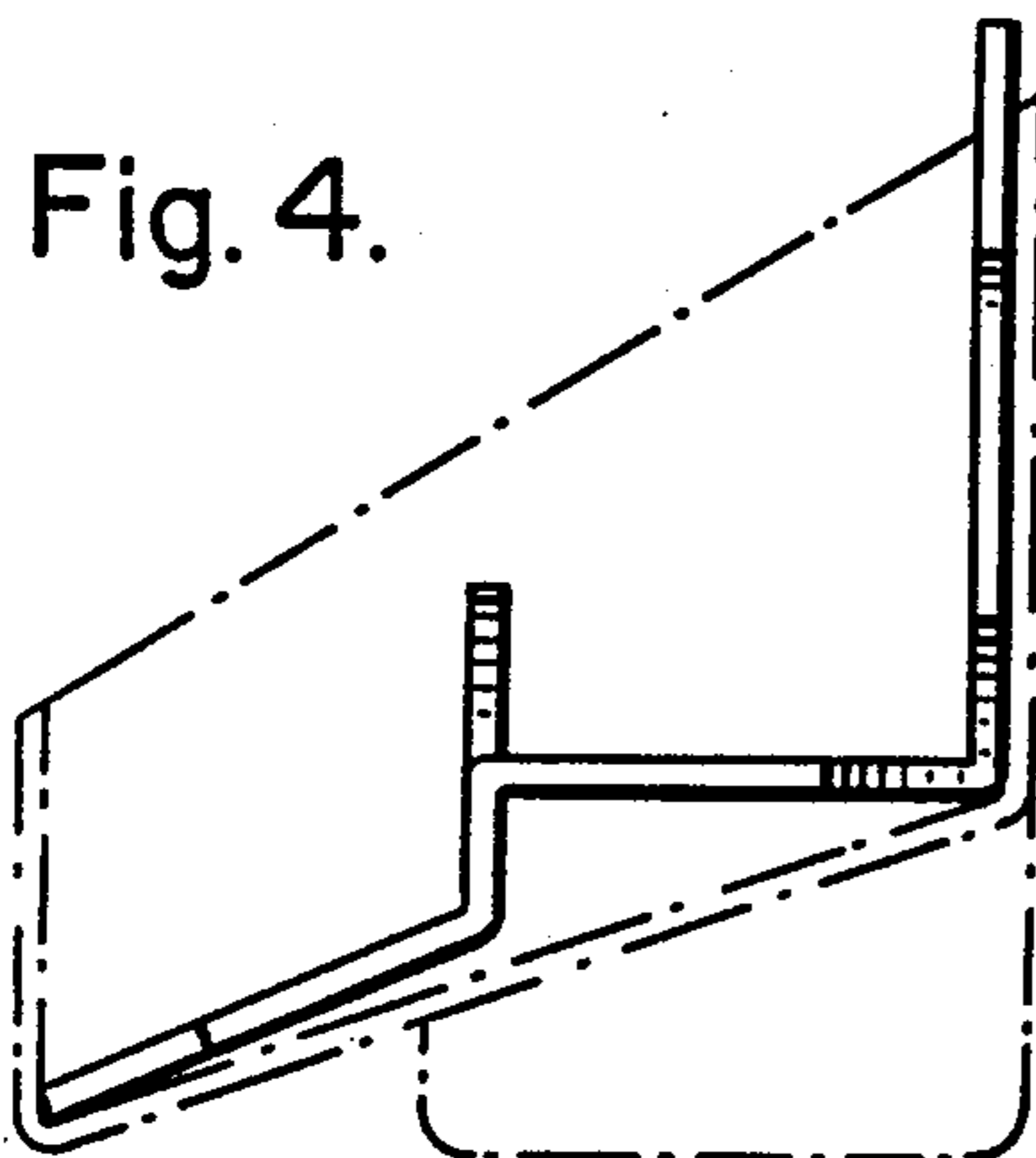


Fig. 6.

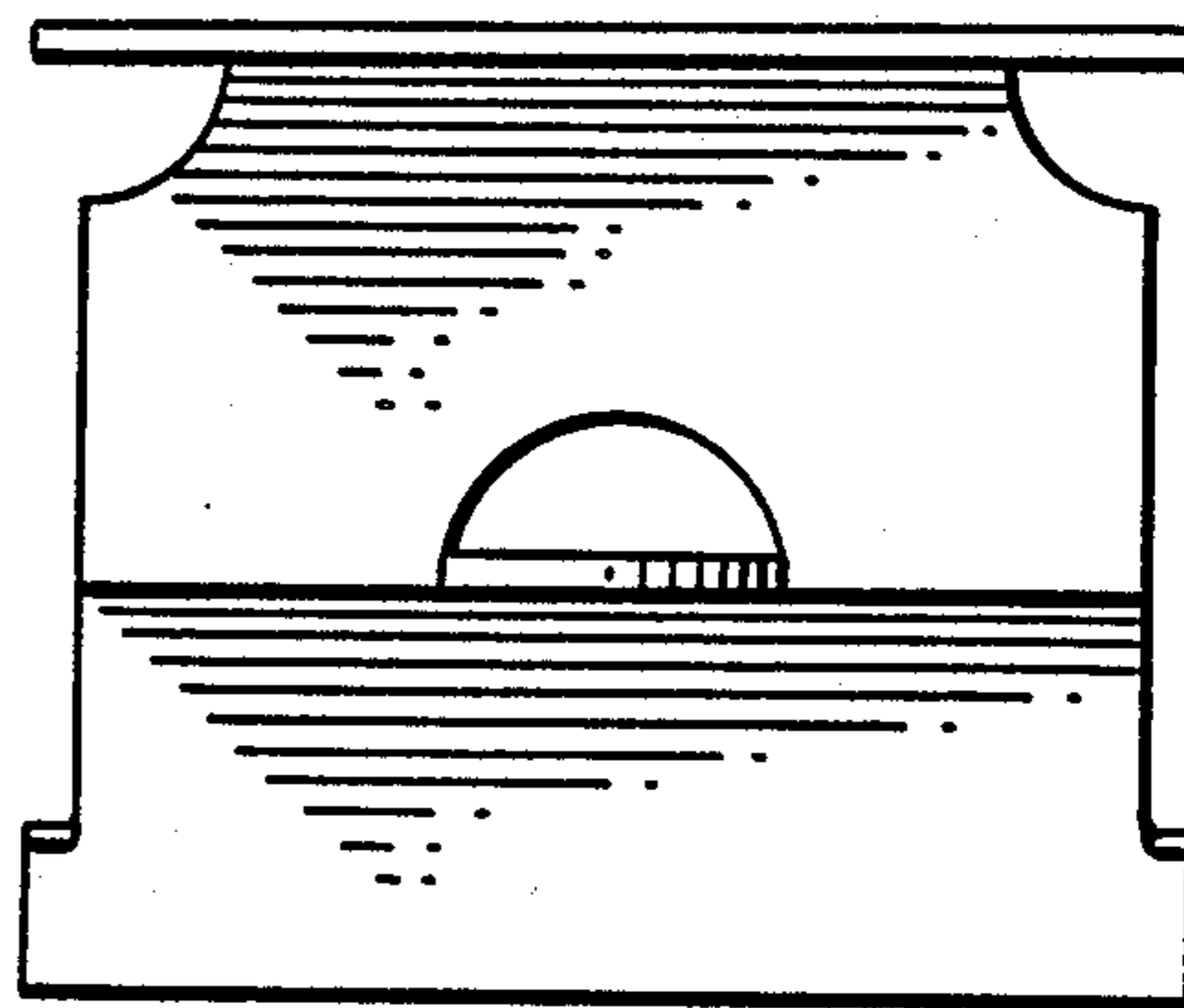


Fig. 5.

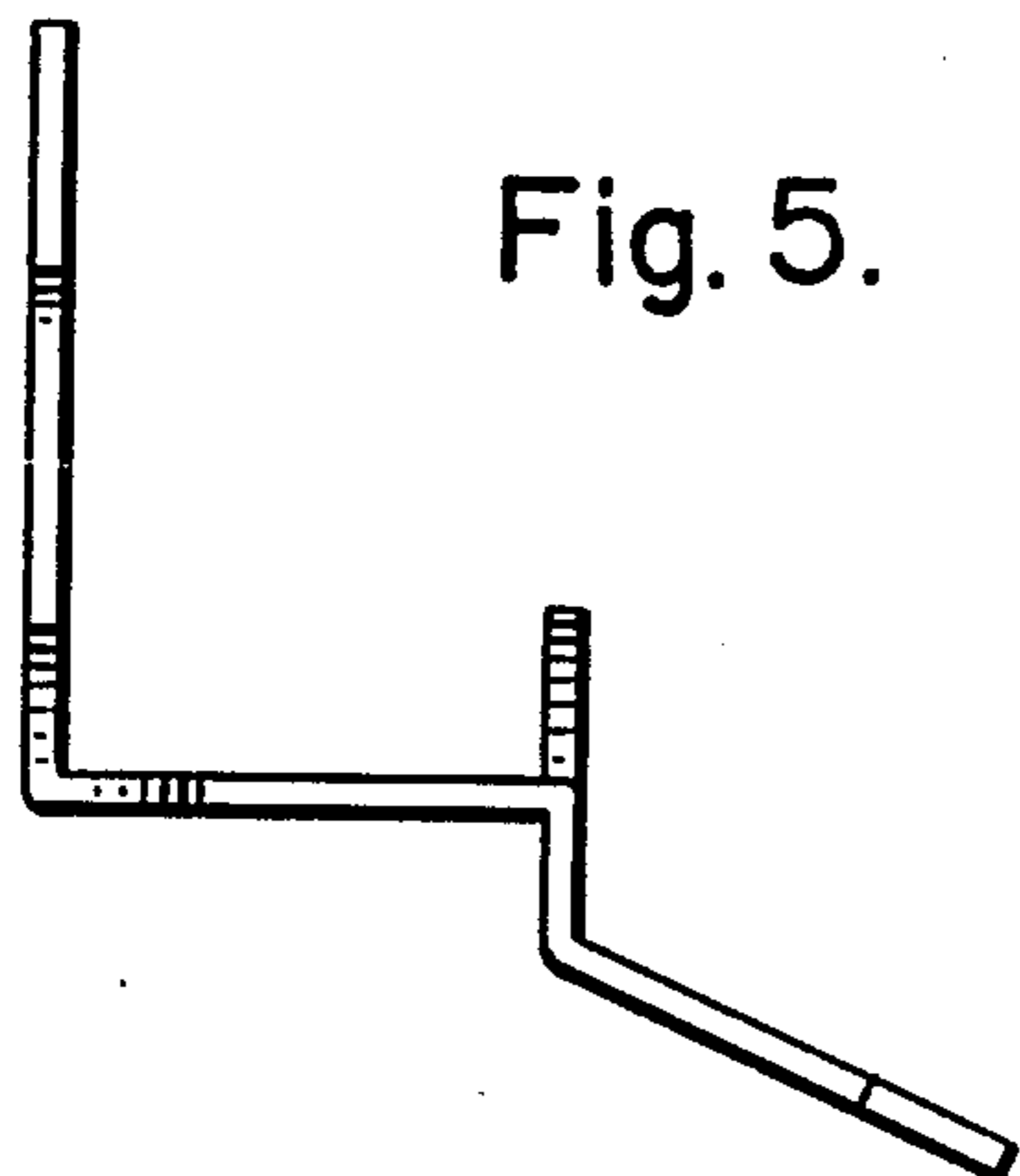


Fig. 7.

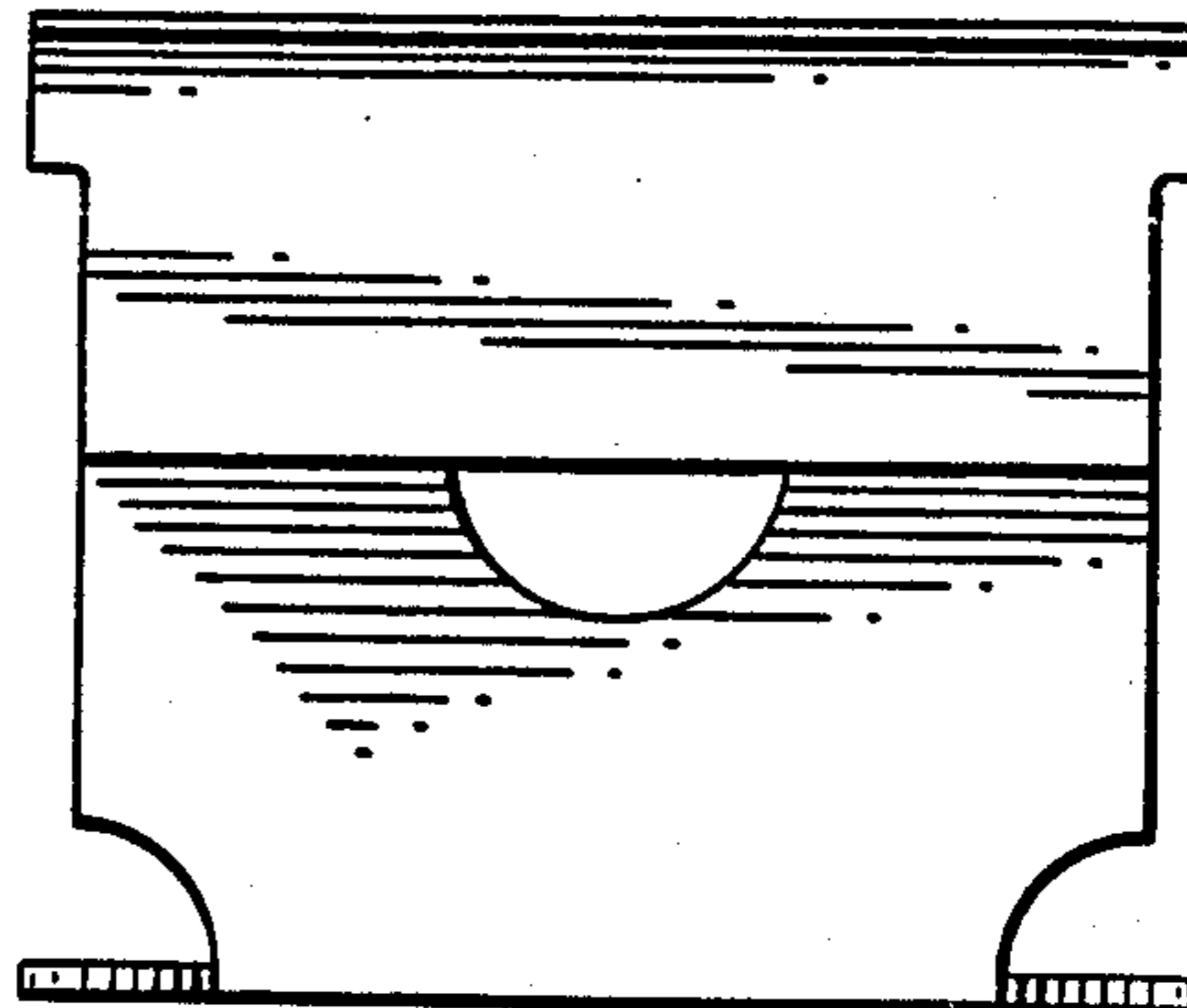


Fig. 8.

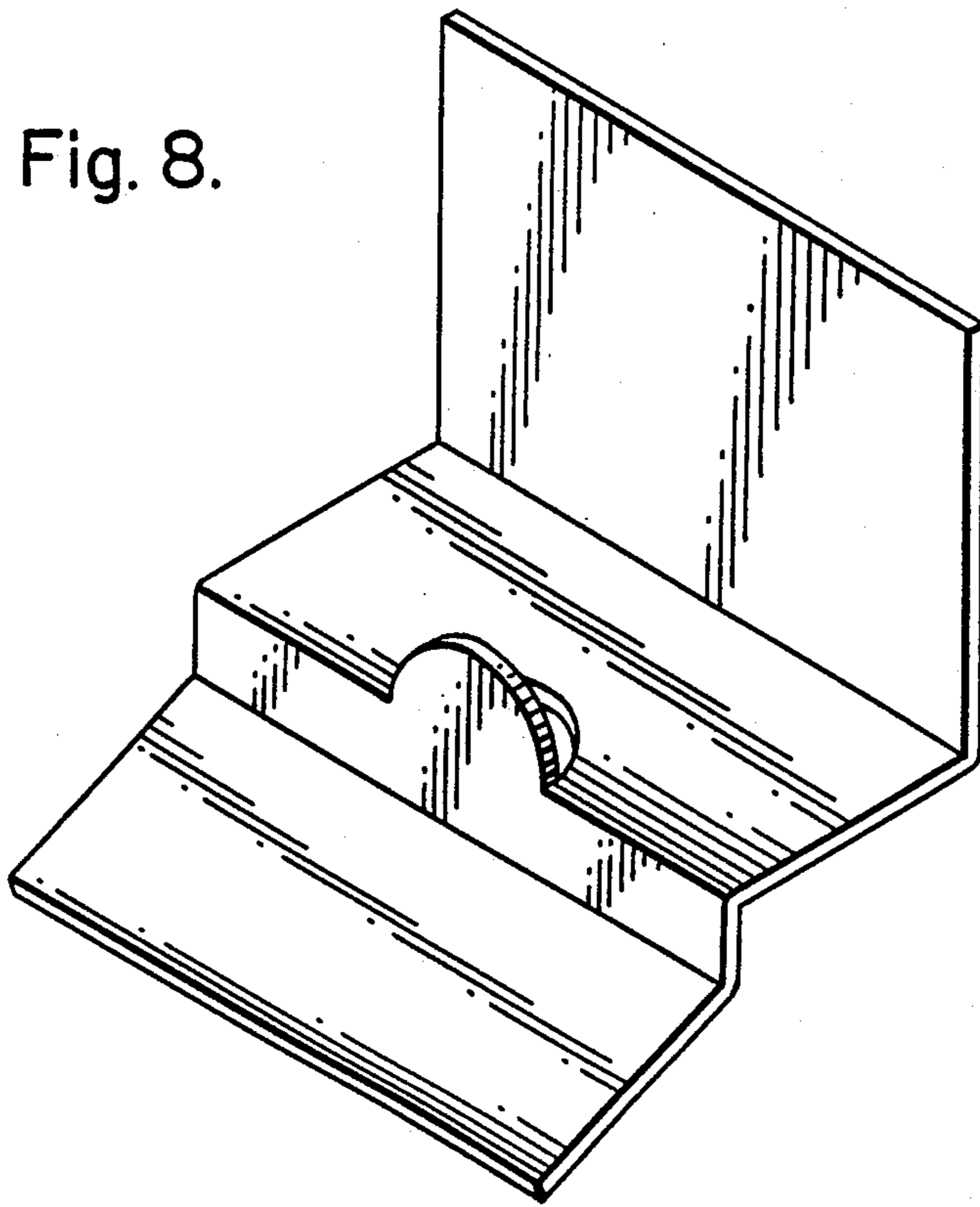


Fig. 9.

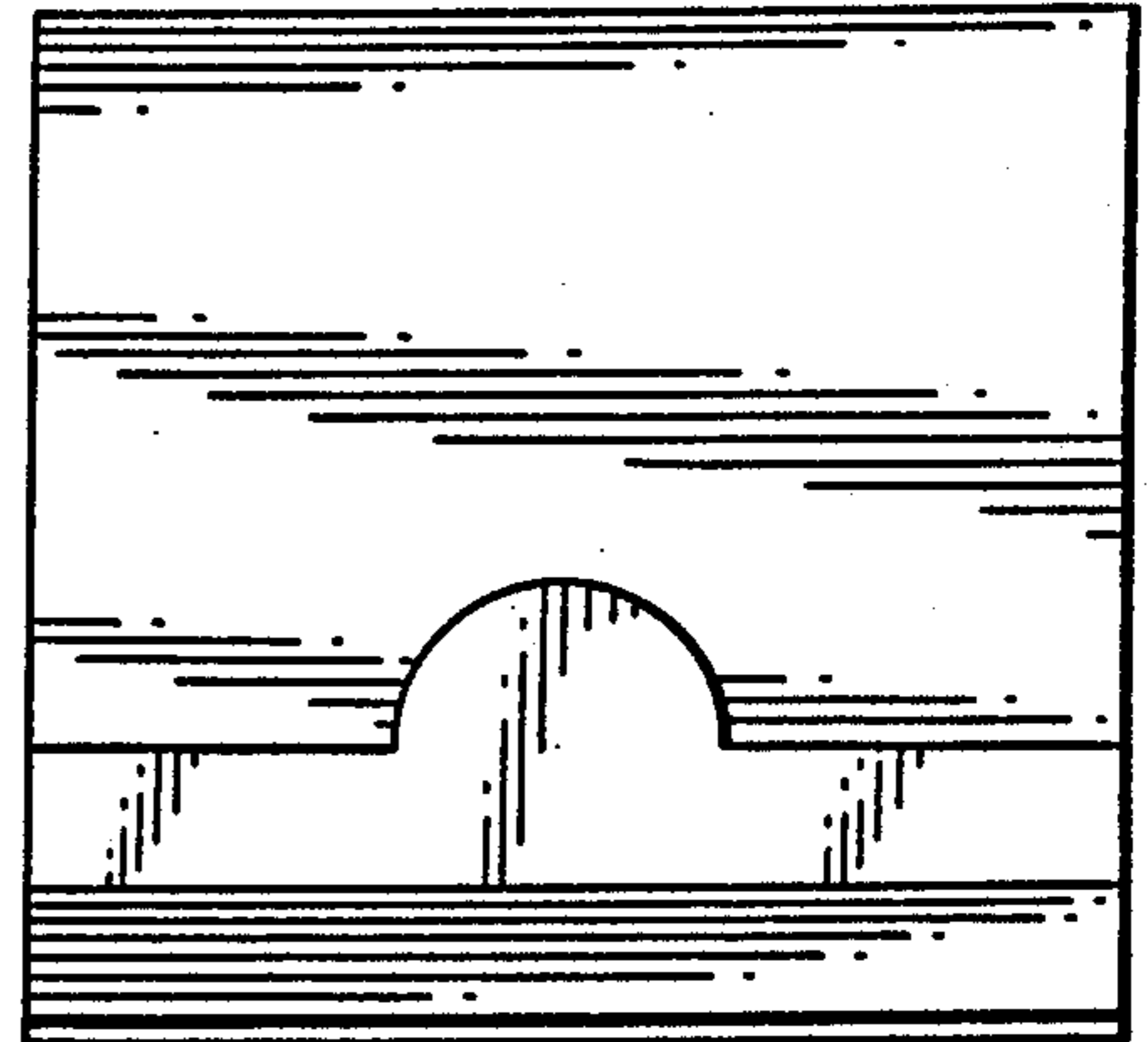


Fig. 10.



Fig. 11.

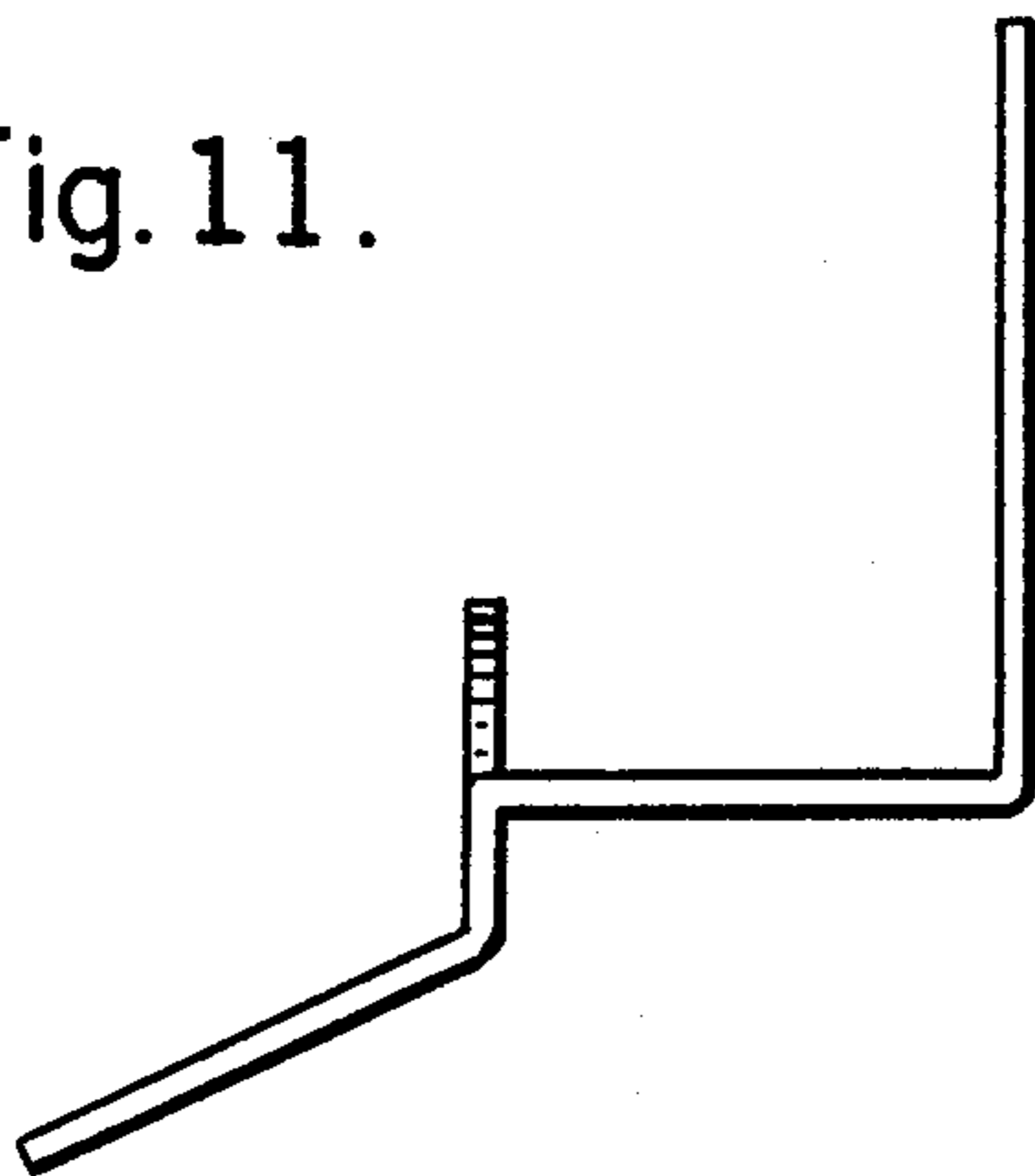


Fig. 13.

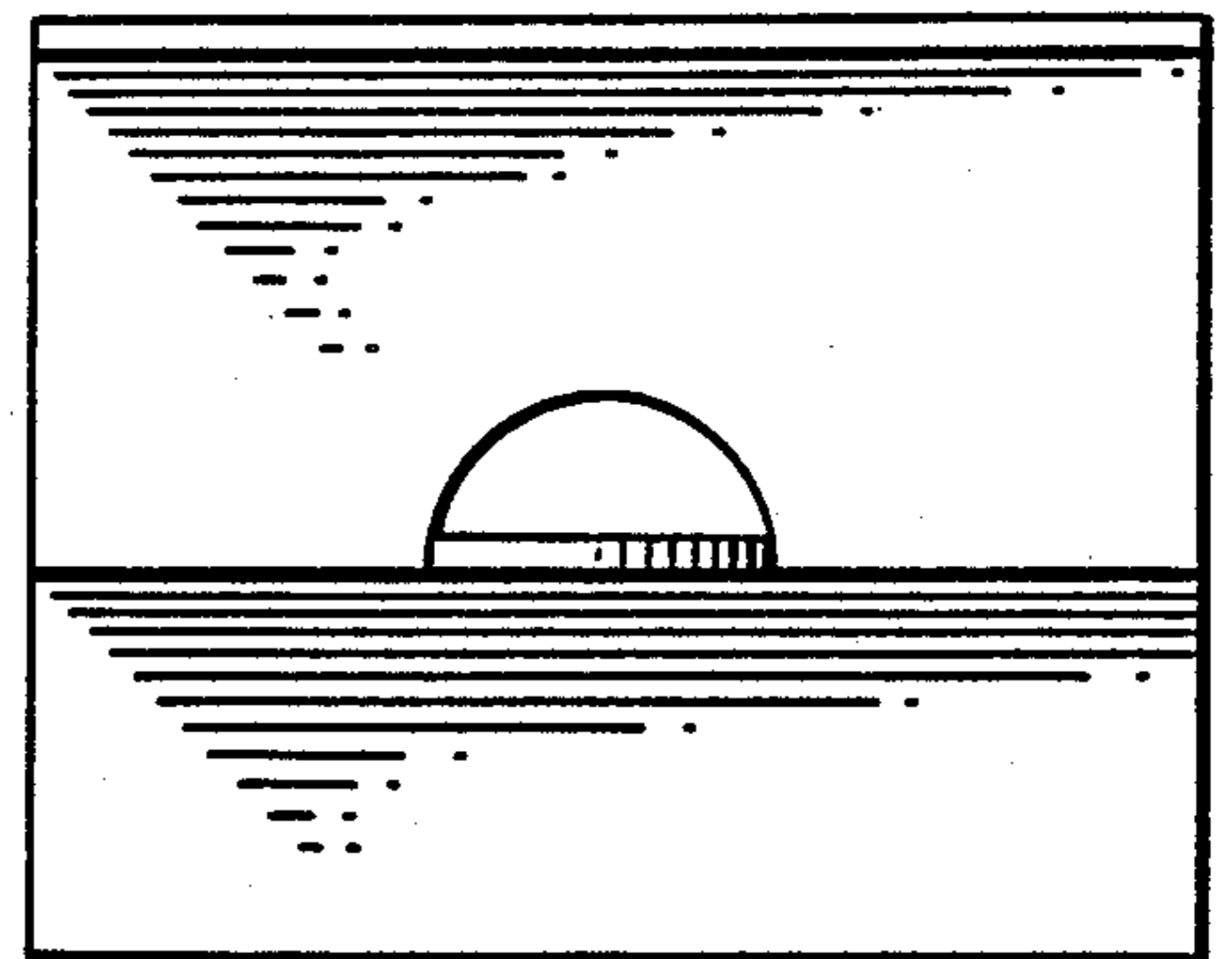


Fig. 12.

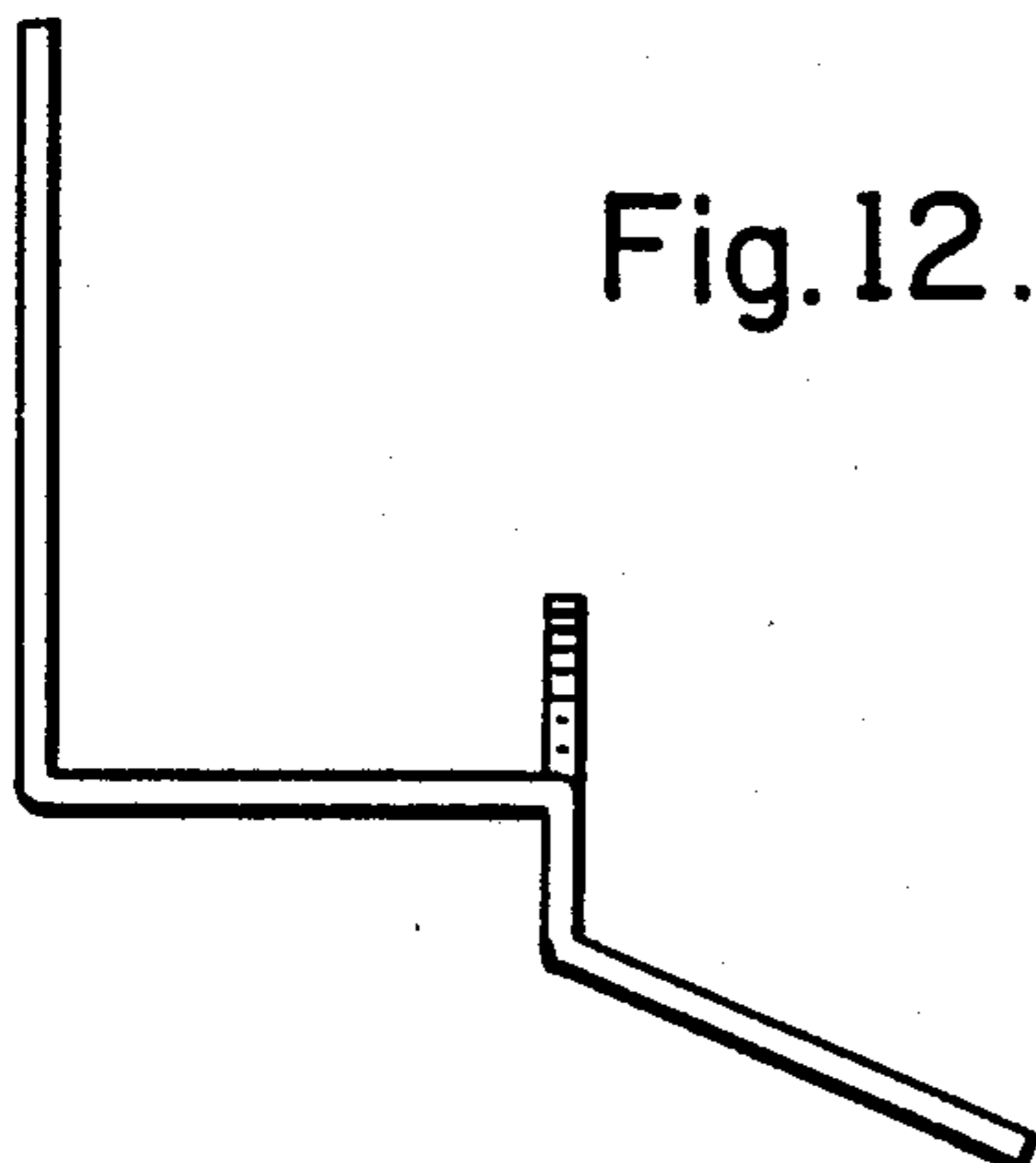


Fig. 14.

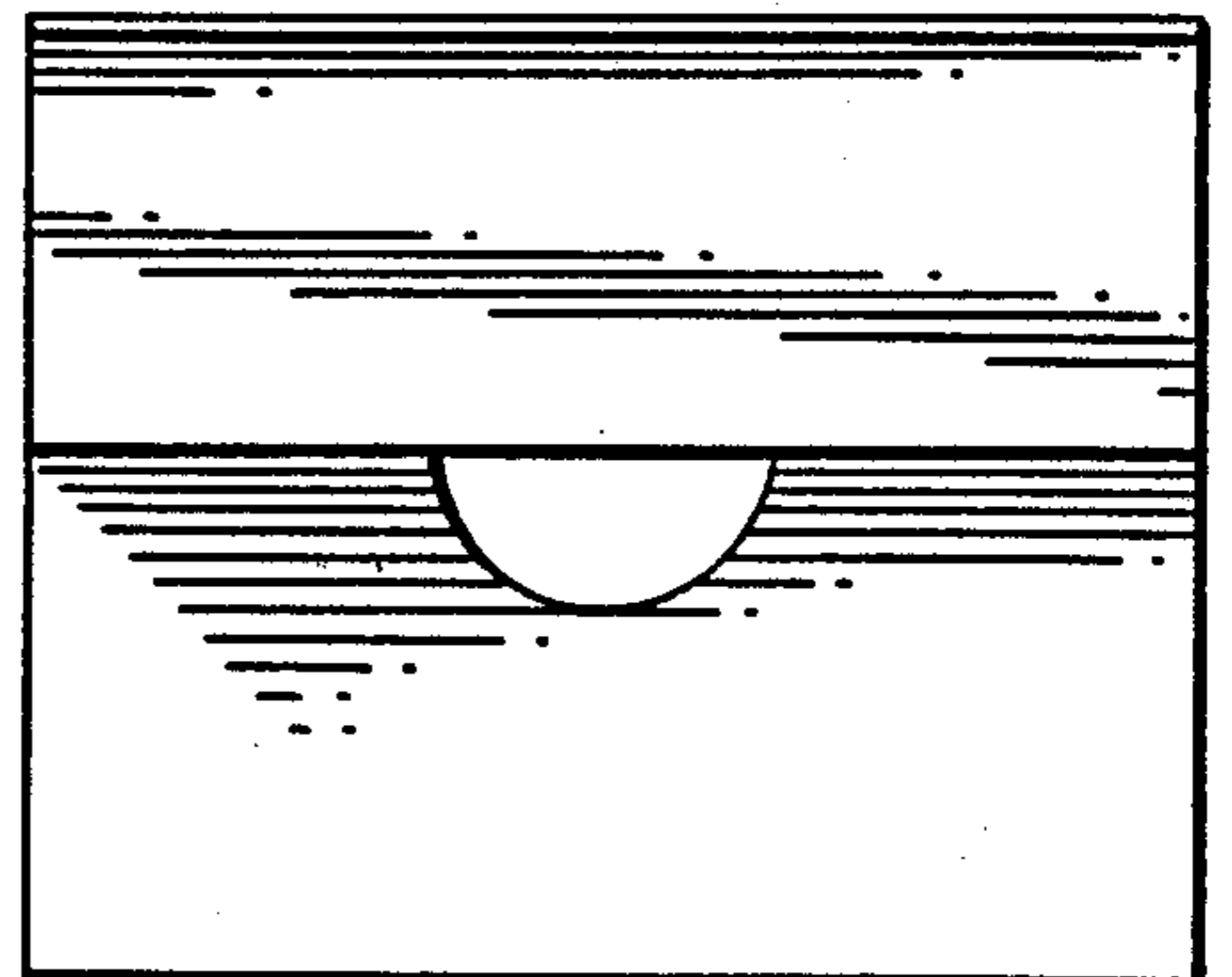


Fig. 19.

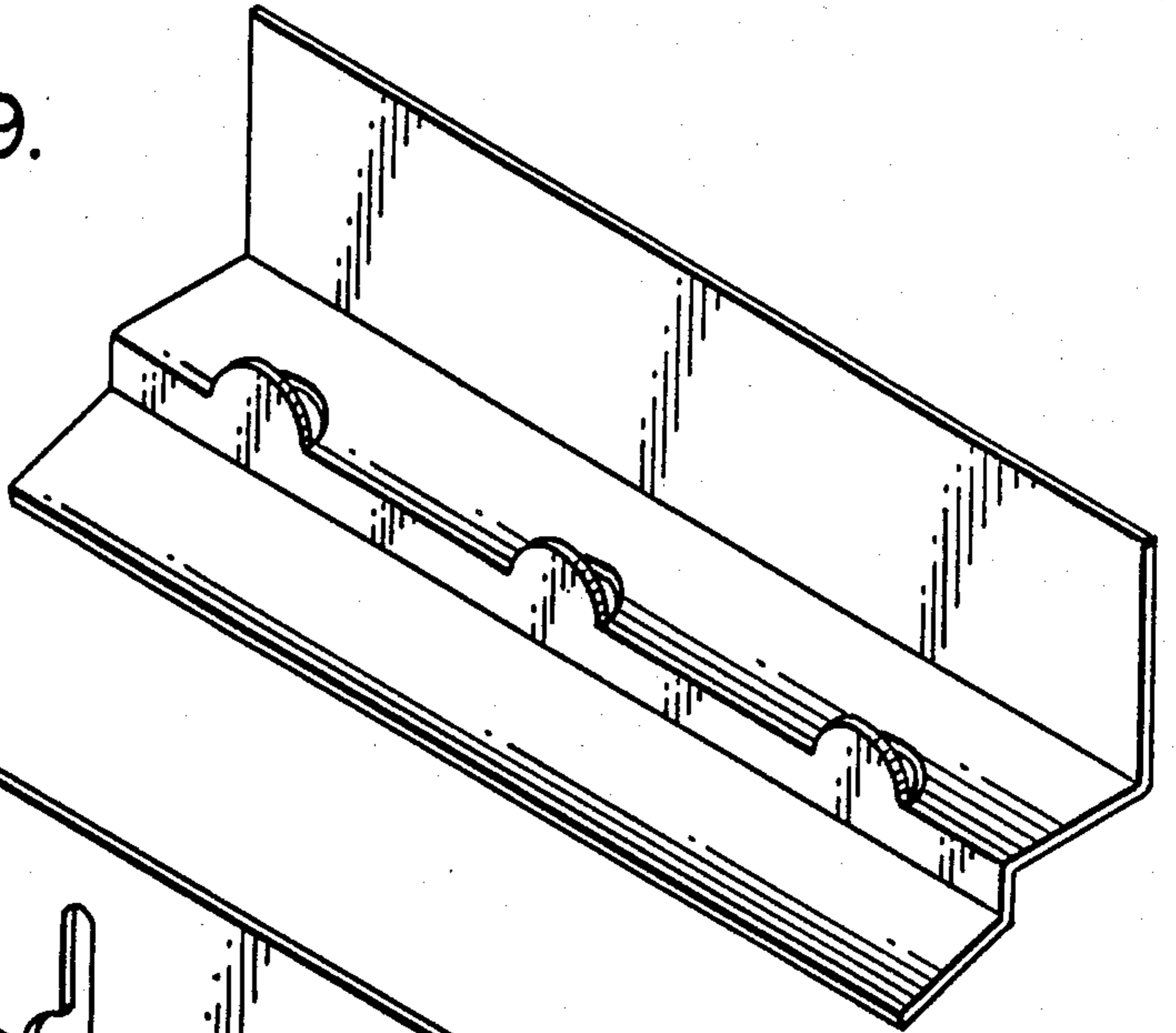


Fig. 15.

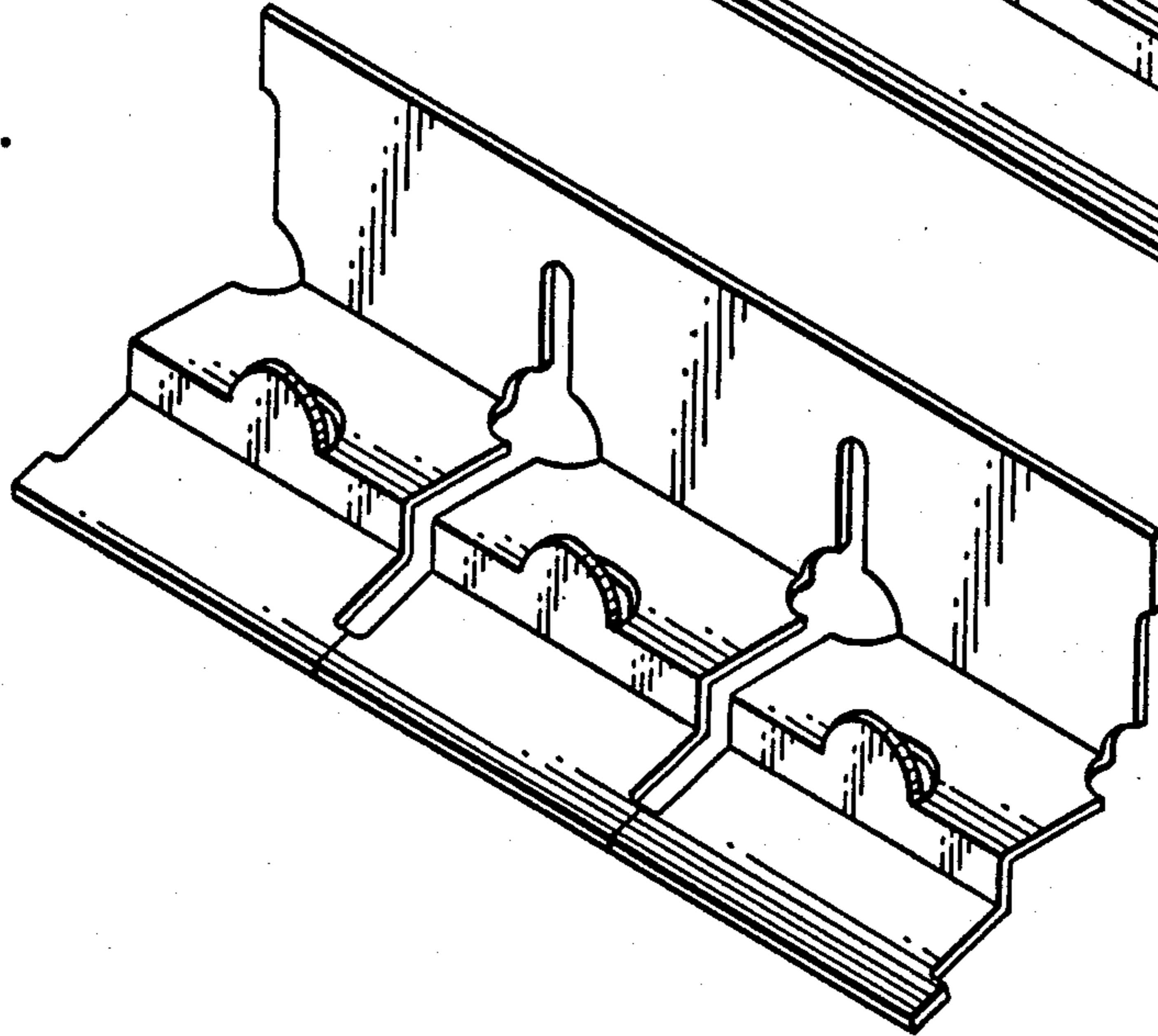


Fig. 16.

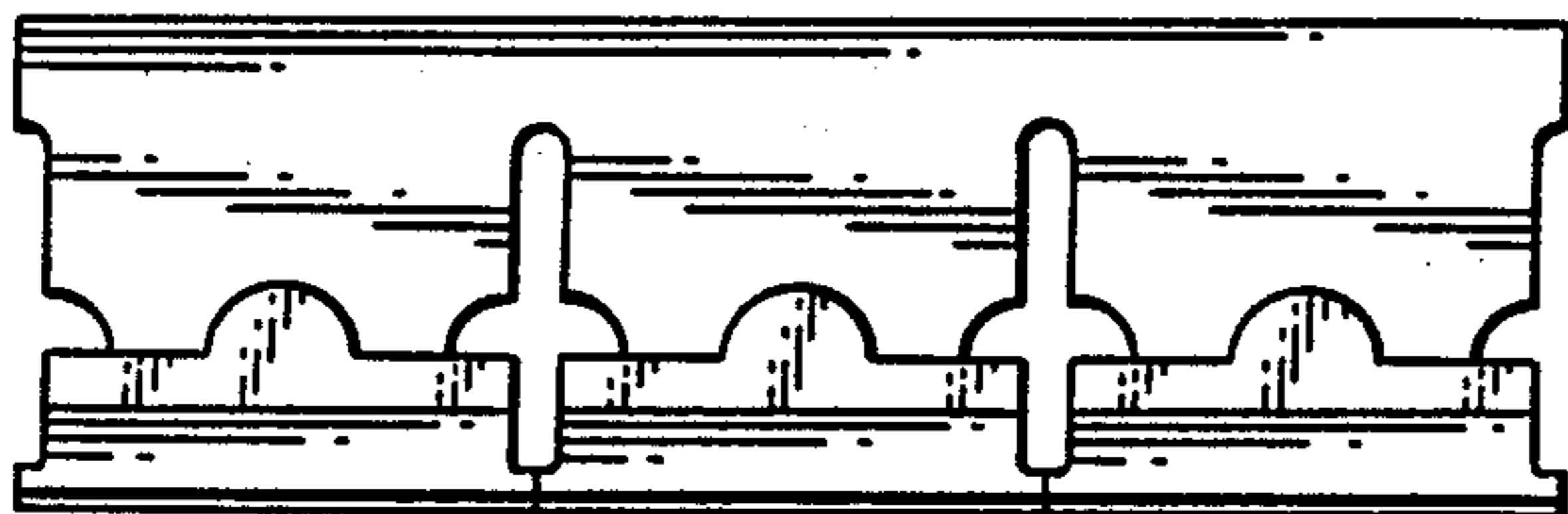


Fig. 20.

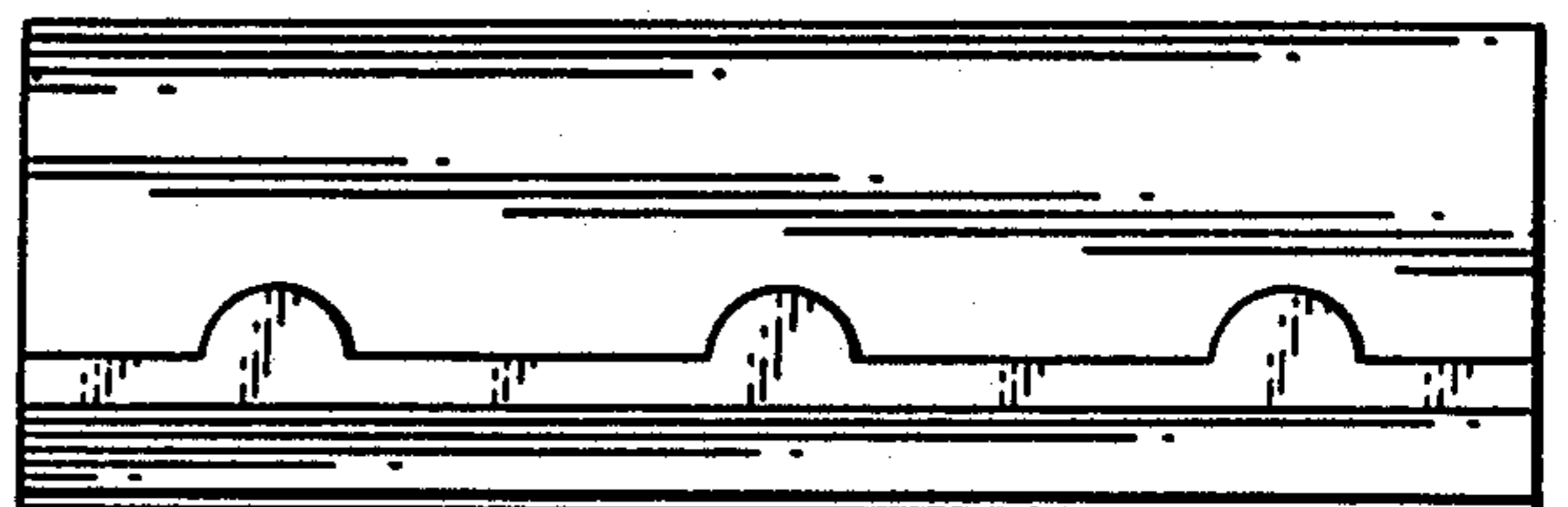


Fig. 17.

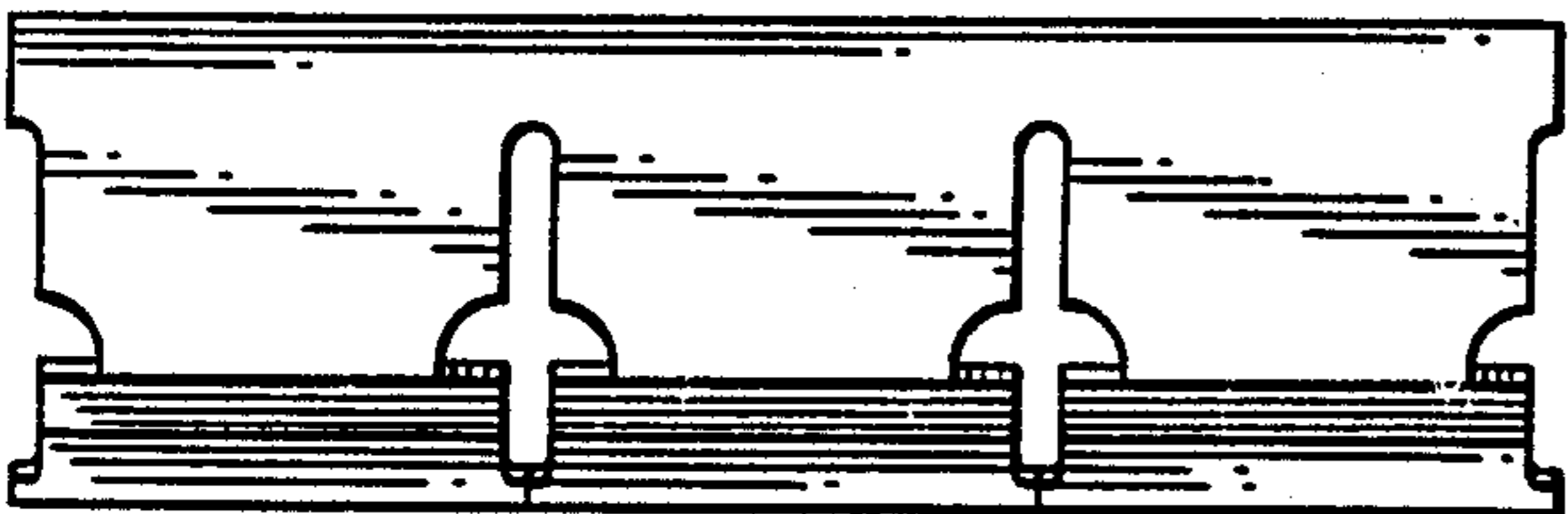


Fig. 21.

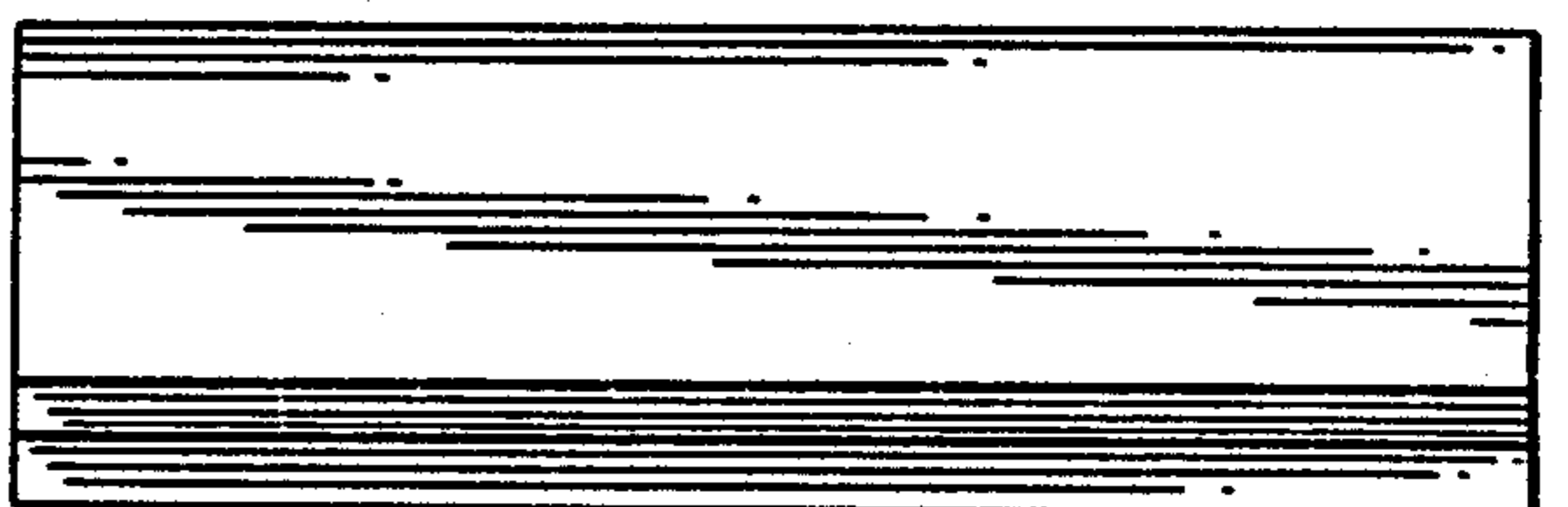


Fig. 18.

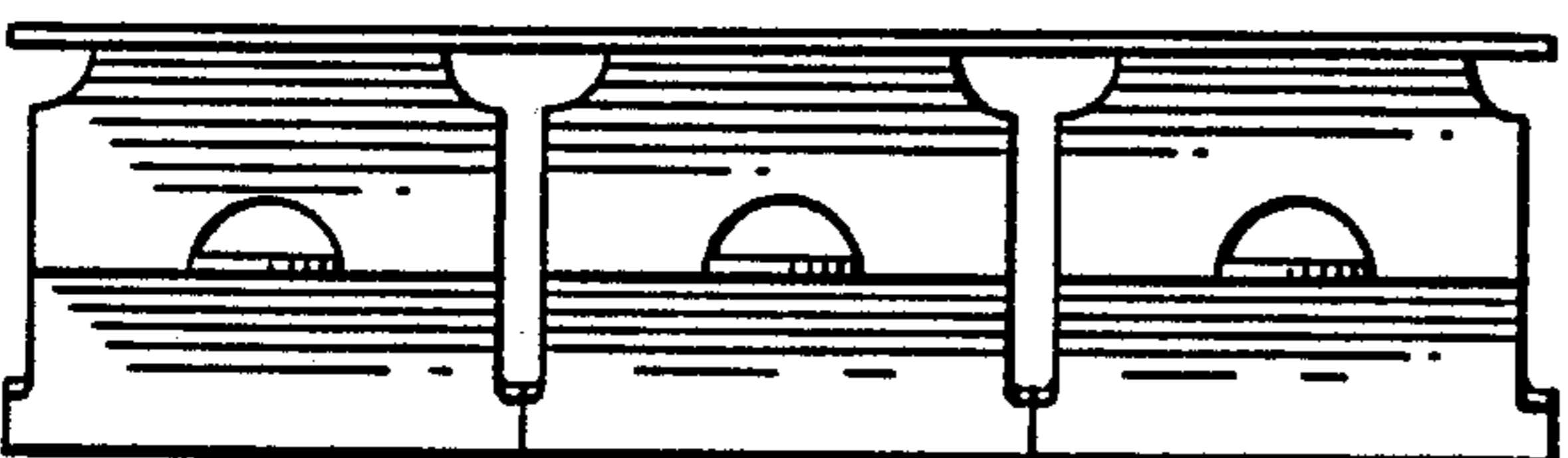


Fig. 22.

