

[54] **SHOW CASE**

[76] **Inventor: Martin Otema, 51 Pine Ridge Dr., Scarborough, Ontario, Canada, M1M 2X6**

[**] **Term: 14 Years**

[21] **Appl. No.: 350,261**

[22] **Filed: May 11, 1989**

Related U.S. Application Data

[62] **Division of Ser. No. 427,031, Sep. 29, 1982, Pat. No. Des. 301,290.**

[52] **U.S. Cl. D6/470**

[58] **Field of Search D6/470, 471, 472; 312/114, 117**

[56]

References Cited

U.S. PATENT DOCUMENTS

D. 56,348	10/1920	Fifer	D6/470
D. 247,079	1/1978	Otema	D6/470 X
D. 283,572	4/1986	Harig	D6/470
2,271,121	1/1942	Gross	312/117

OTHER PUBLICATIONS

“Display Fixture—A Specification Guide” by Lozier Store Fixtures, p. 11; Laminated Series “A” top left. *Berg Store Fixtures* by Berg Co., p. 2; Showcase Combination bottom of page.

Primary Examiner—Carmen H. Vales-Lado
Attorney, Agent, or Firm—Rogers, Bereskin & Parr

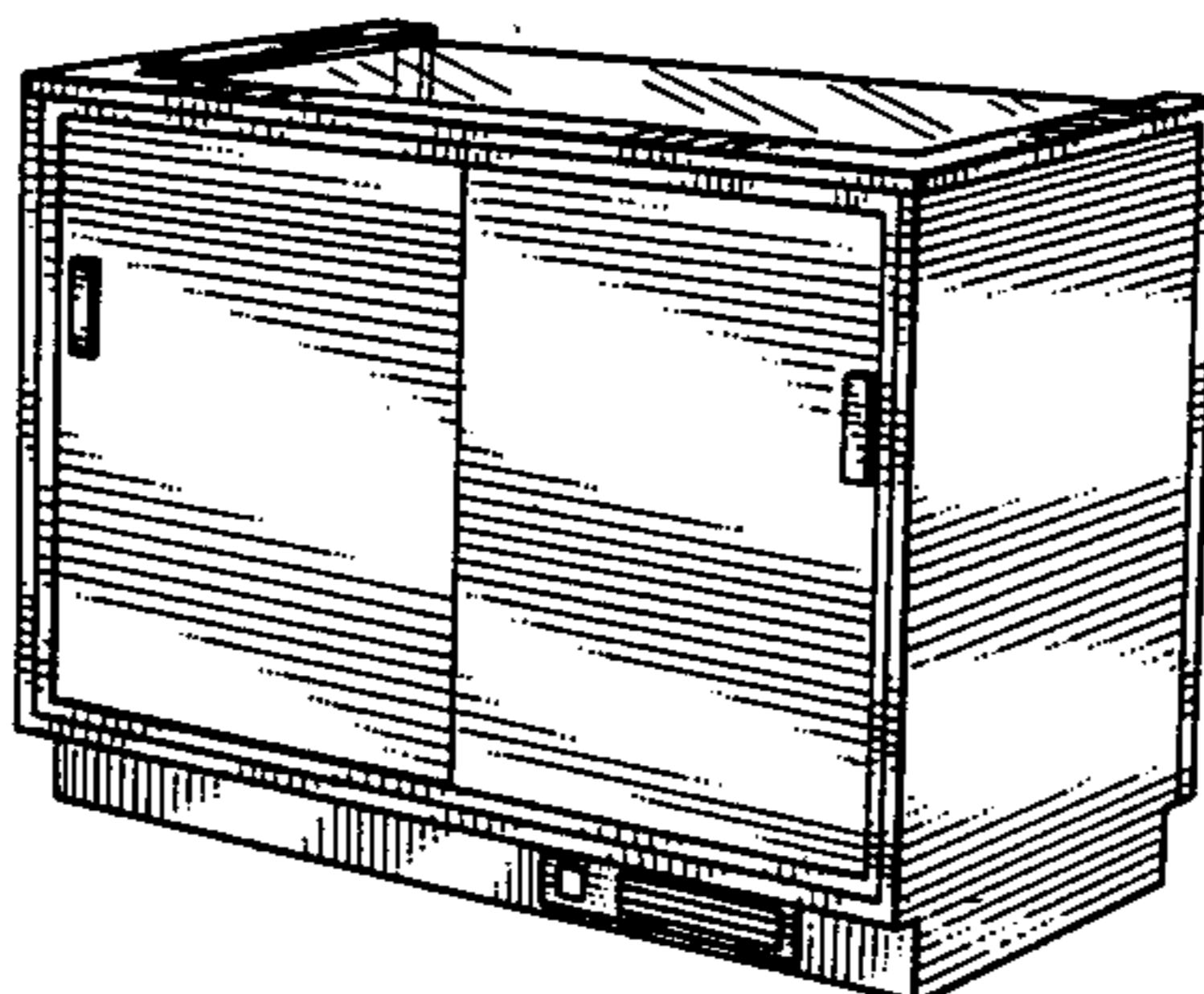
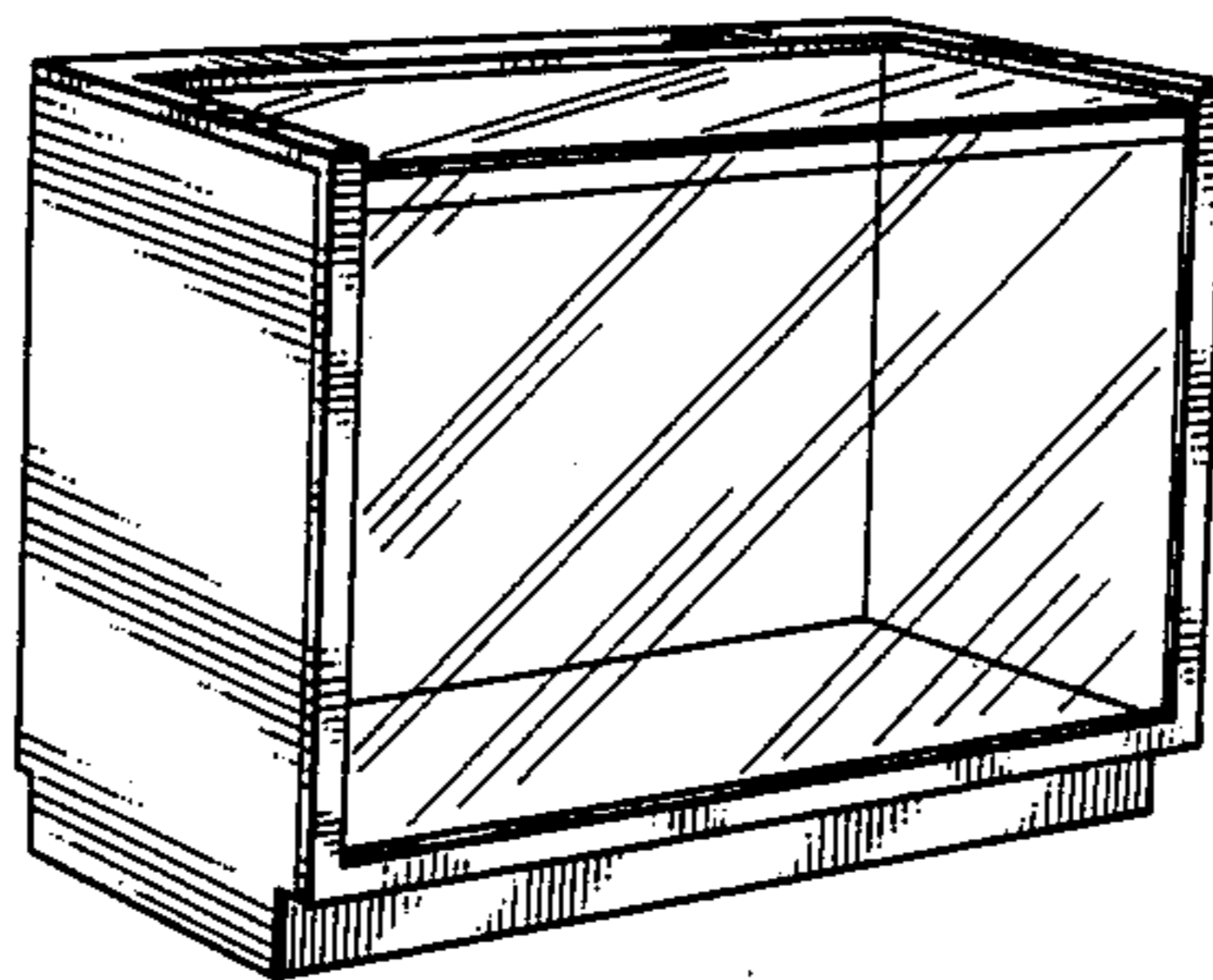
[57]

CLAIM

The ornamental design for a show case, as shown.

DESCRIPTION

FIG. 1 is a front perspective view of a showcase showing my new design; and FIG. 2 is a rear perspective view thereof.



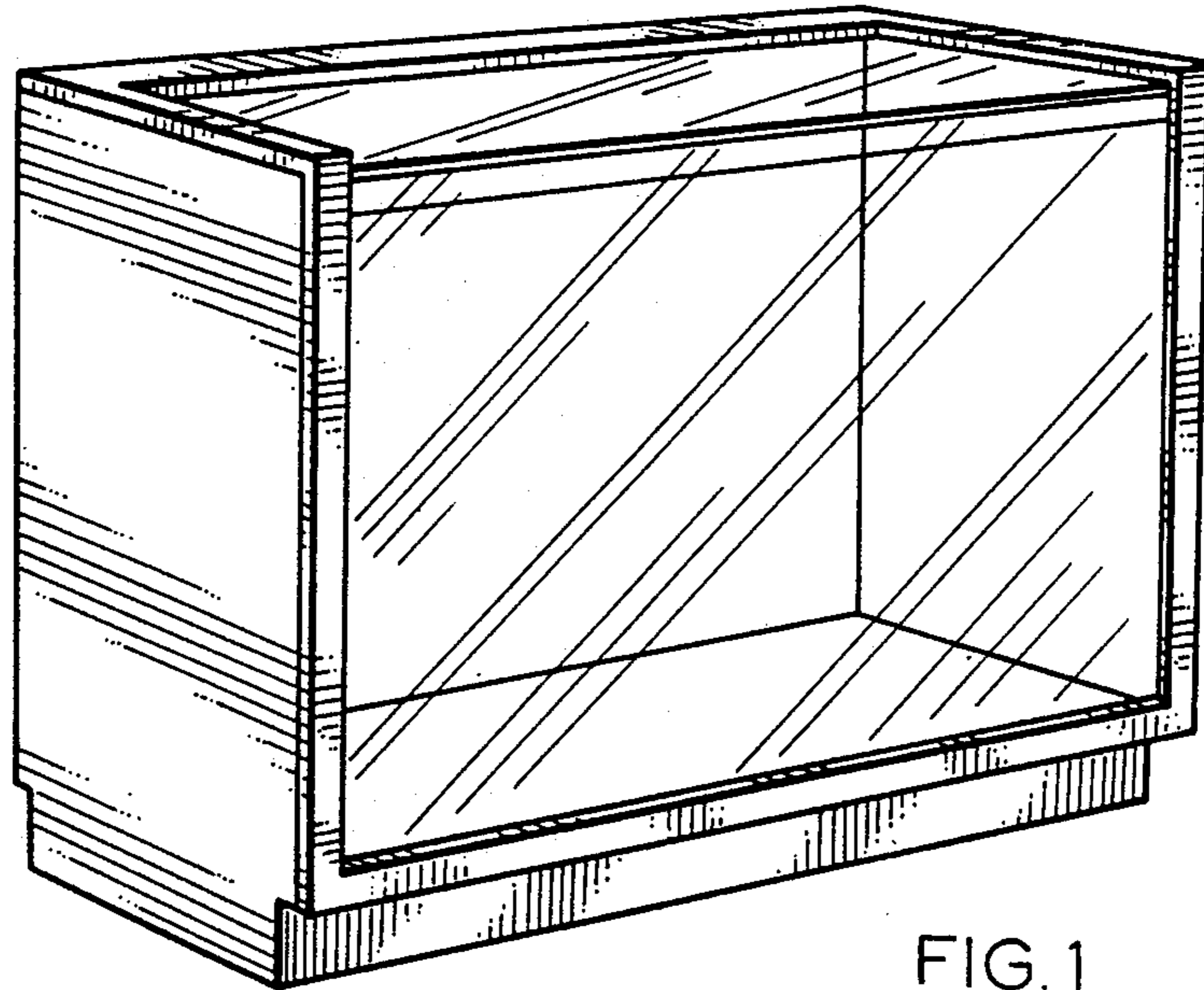


FIG. 1

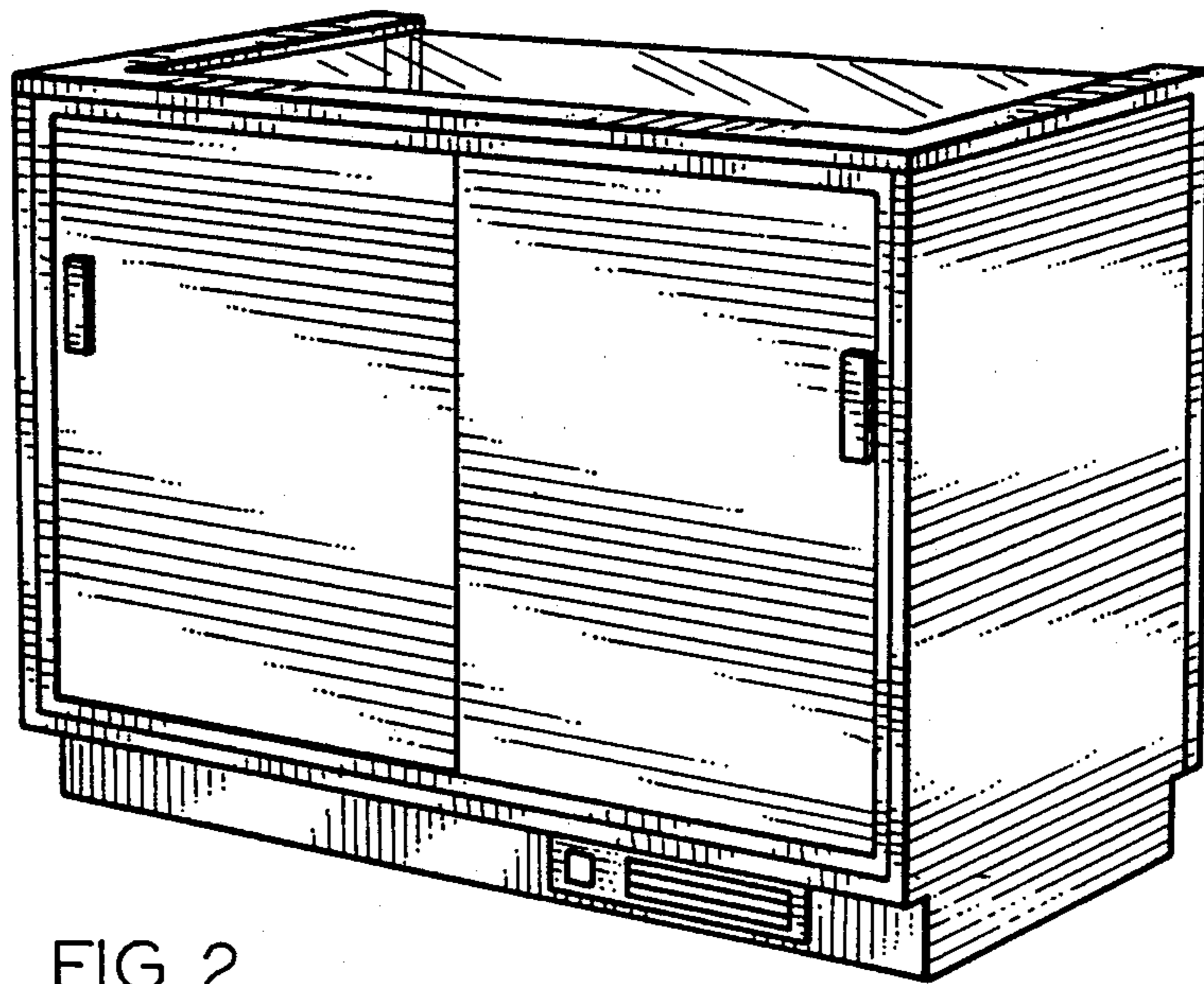


FIG. 2