

United States Patent [19]

Fedder

[11] Patent Number: Des. 306,667

[45] Date of Patent: ** Mar. 20, 1990

[54] COIL HANDLING RACK

[75] Inventor: Walter G. Fedder, Collinsville, Ill.

[73] Assignee: Olin Corporation, Cheshire, Conn.

[**] Term: 14 Years

[21] Appl. No.: 30,632

[22] Filed: Mar. 27, 1987

[52] U.S. Cl. D6/462

[58] Field of Search D6/449, 462, 396;
211/13, 59

[56] **References Cited**

U.S. PATENT DOCUMENTS

| | | | | |
|------------|---------|---------|-------|--------|
| D. 67,301 | 5/1925 | Pearson | | D6/462 |
| D. 228,590 | 10/1973 | Purpura | | D6/449 |
| D. 242,413 | 11/1976 | Olson | | D6/462 |
| D. 267,445 | 1/1983 | Watson | | D6/462 |

| | | | | |
|------------|--------|----------|-------|--------|
| D. 290,558 | 6/1987 | Zorrilla | | D6/462 |
| D. 300,790 | 4/1989 | Beckwith | | D6/462 |
| 3,139,986 | 7/1964 | Strock | | 211/59 |

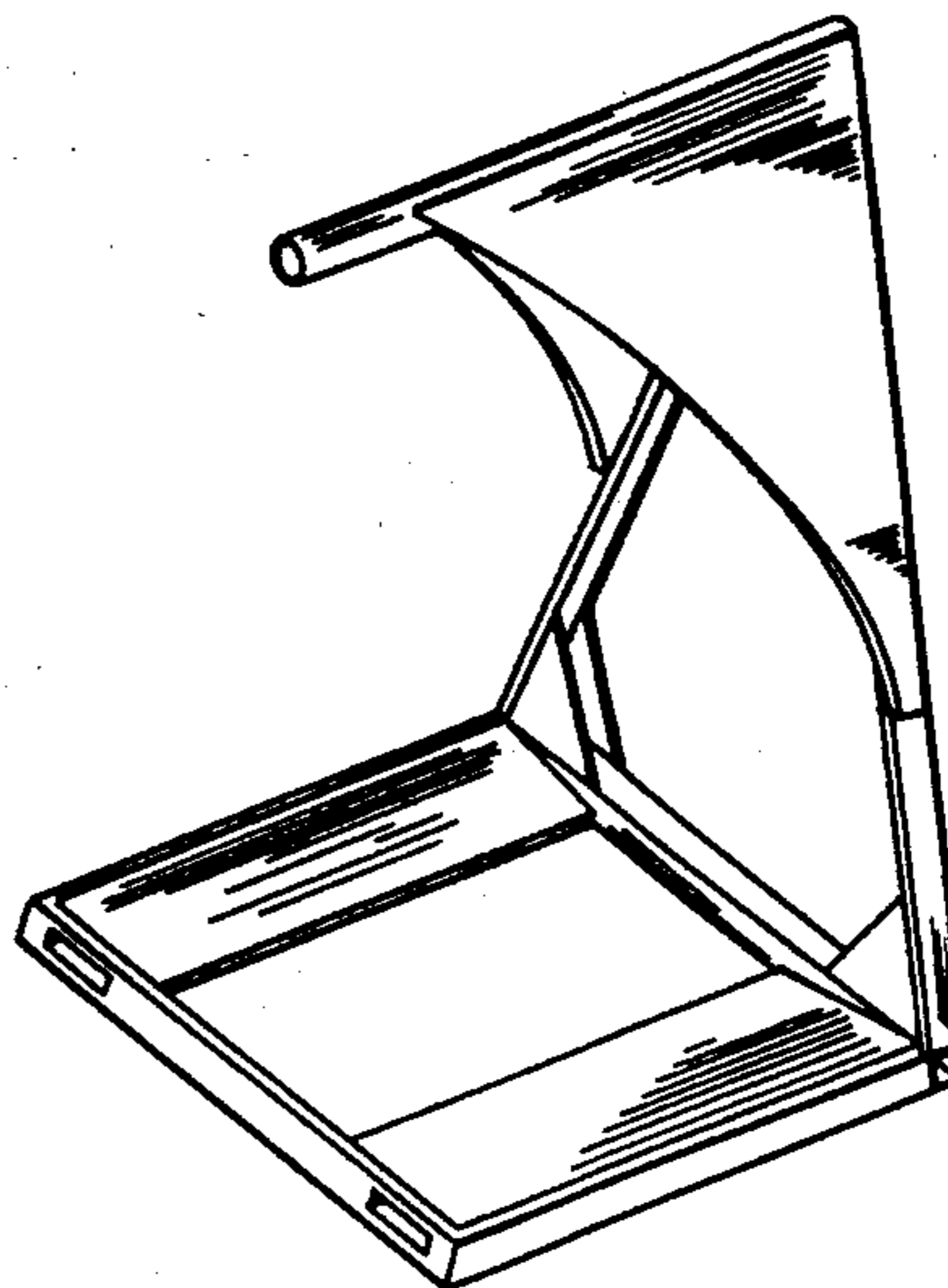
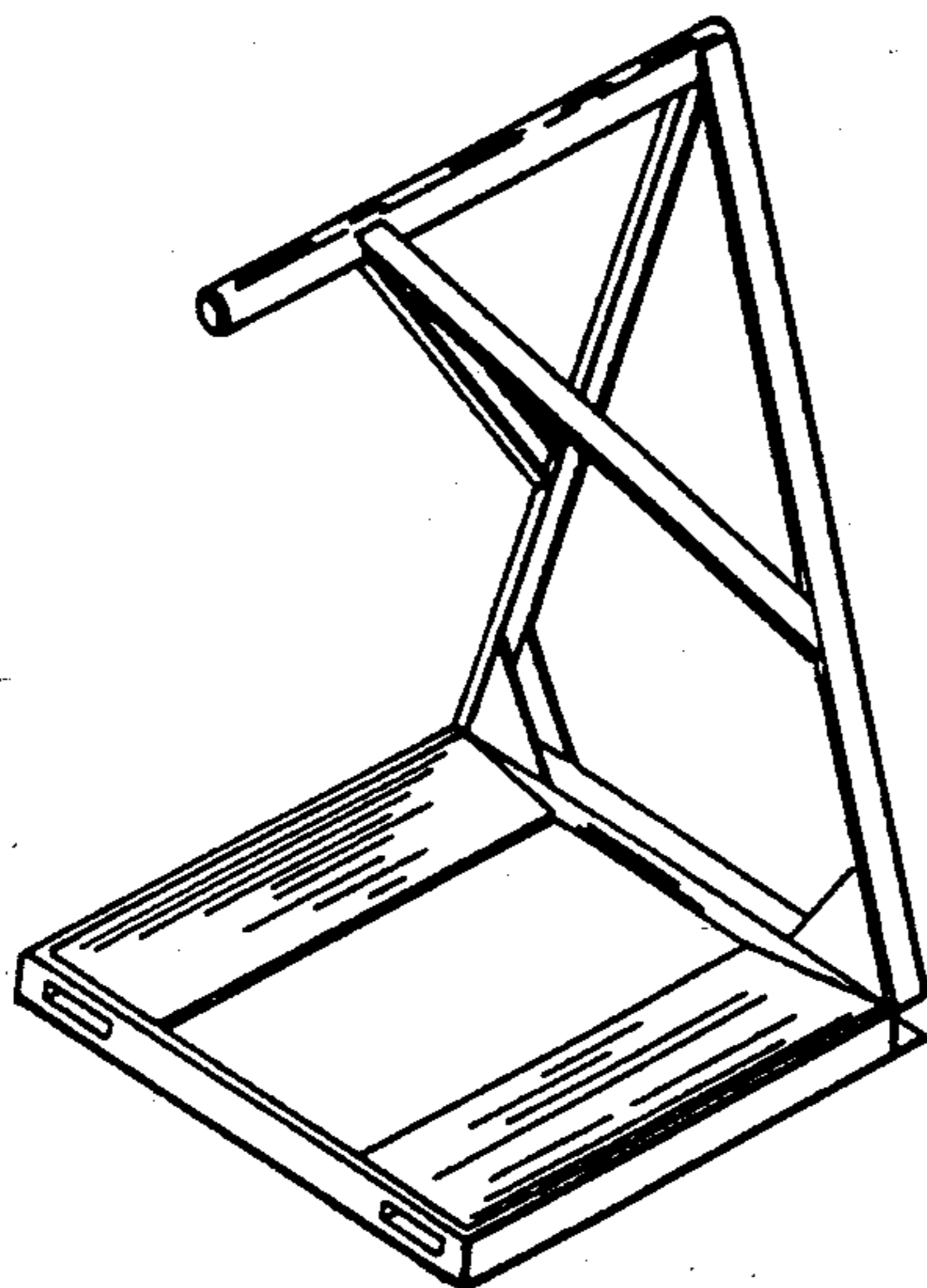
Primary Examiner—Carmen H. Vales-Lado
Attorney, Agent, or Firm—H. S. Kieser

[57] **CLAIM**

The ornamental design for a coil handling rack, as shown and described.

DESCRIPTION

FIG. 1 is a perspective view of a coil handling rack showing my new design;
FIG. 2 is a left side elevational view, the right side being a mirror image thereof;
FIG. 3 is a top plan view thereof;
FIG. 4 is a rear elevational view thereof; and
FIG. 5 is a perspective view of another embodiment of the coil handling rack shown in FIG. 1, the opposite side being a mirror image thereof.



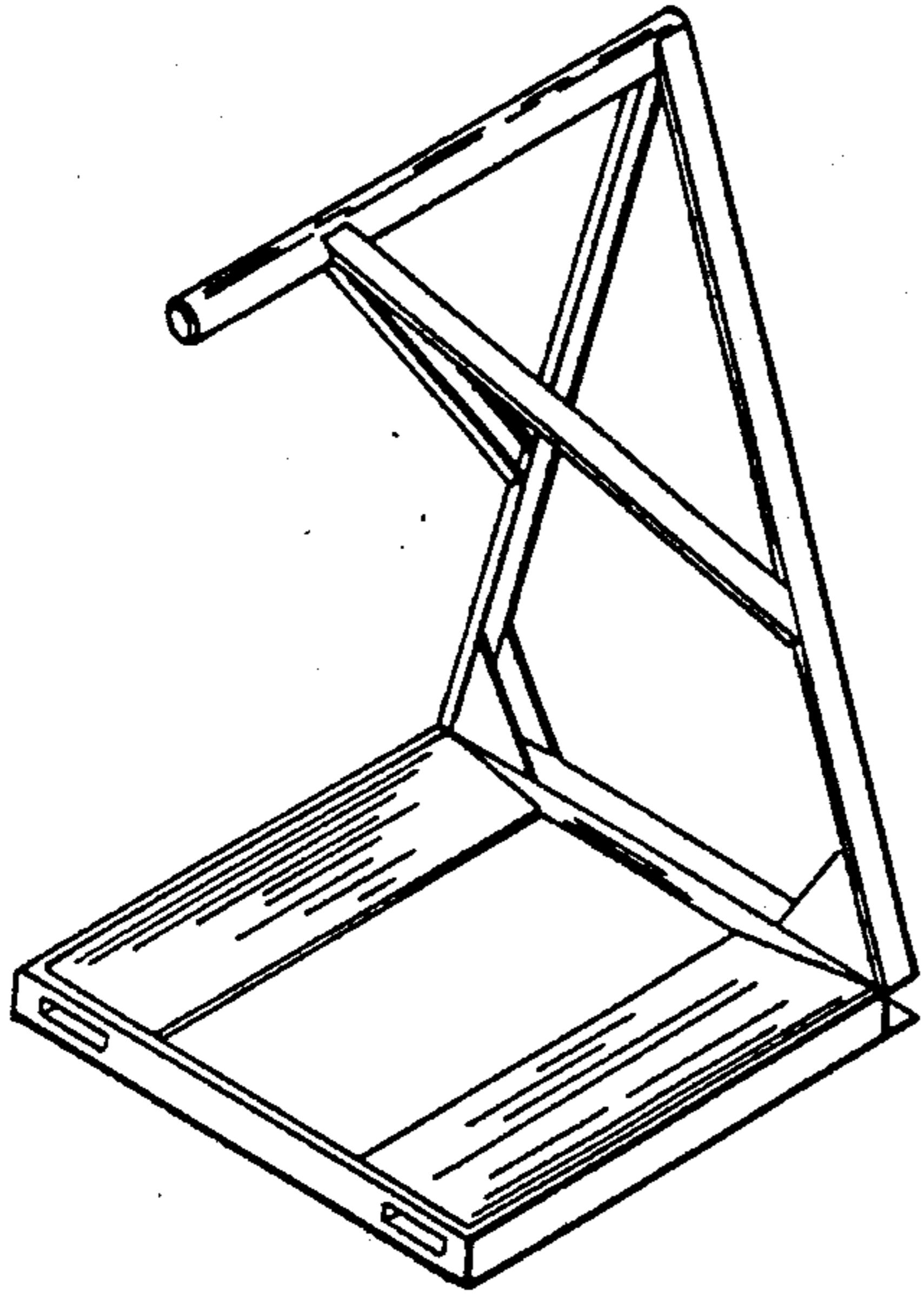


FIG - 1

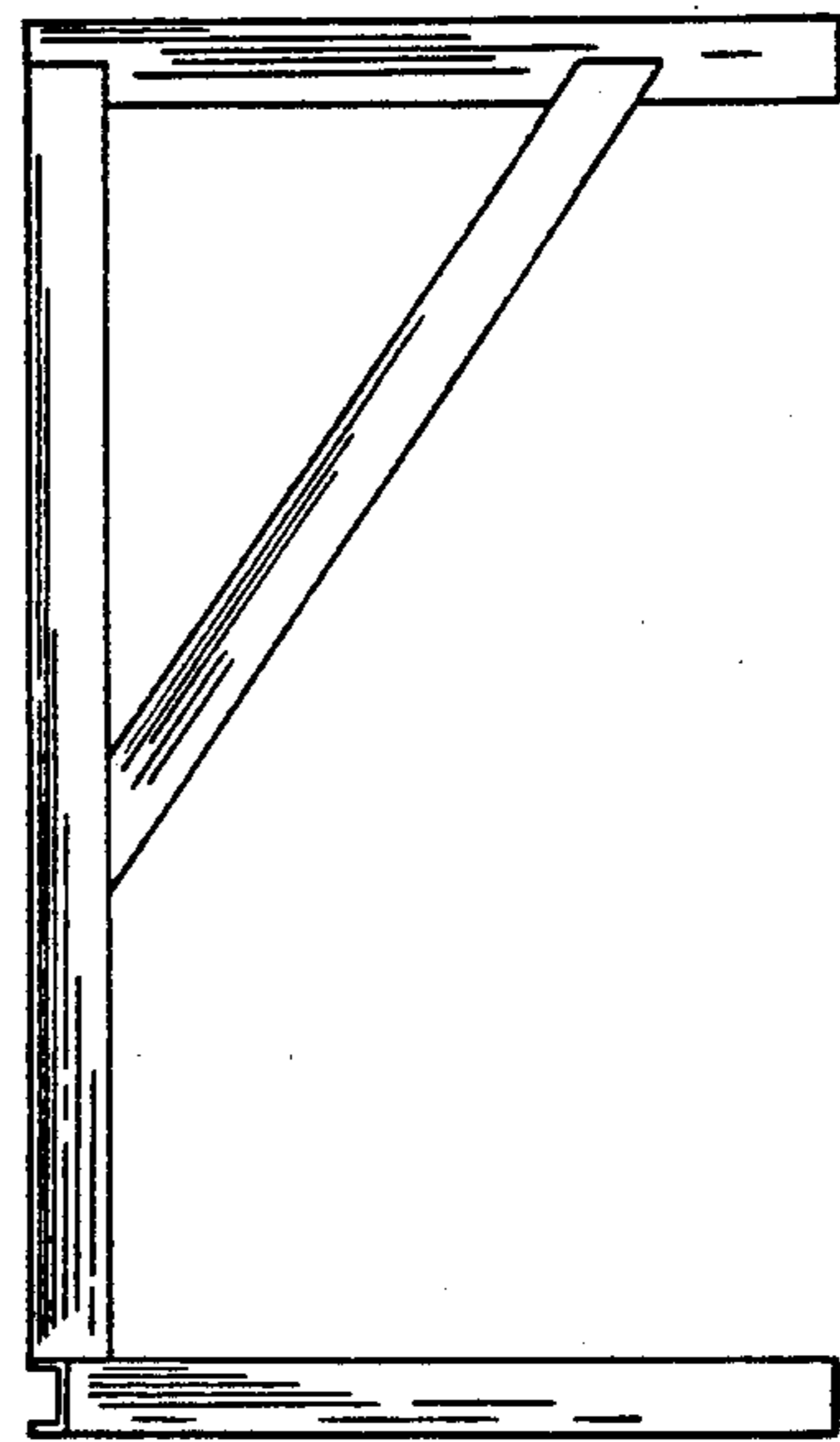


FIG - 2

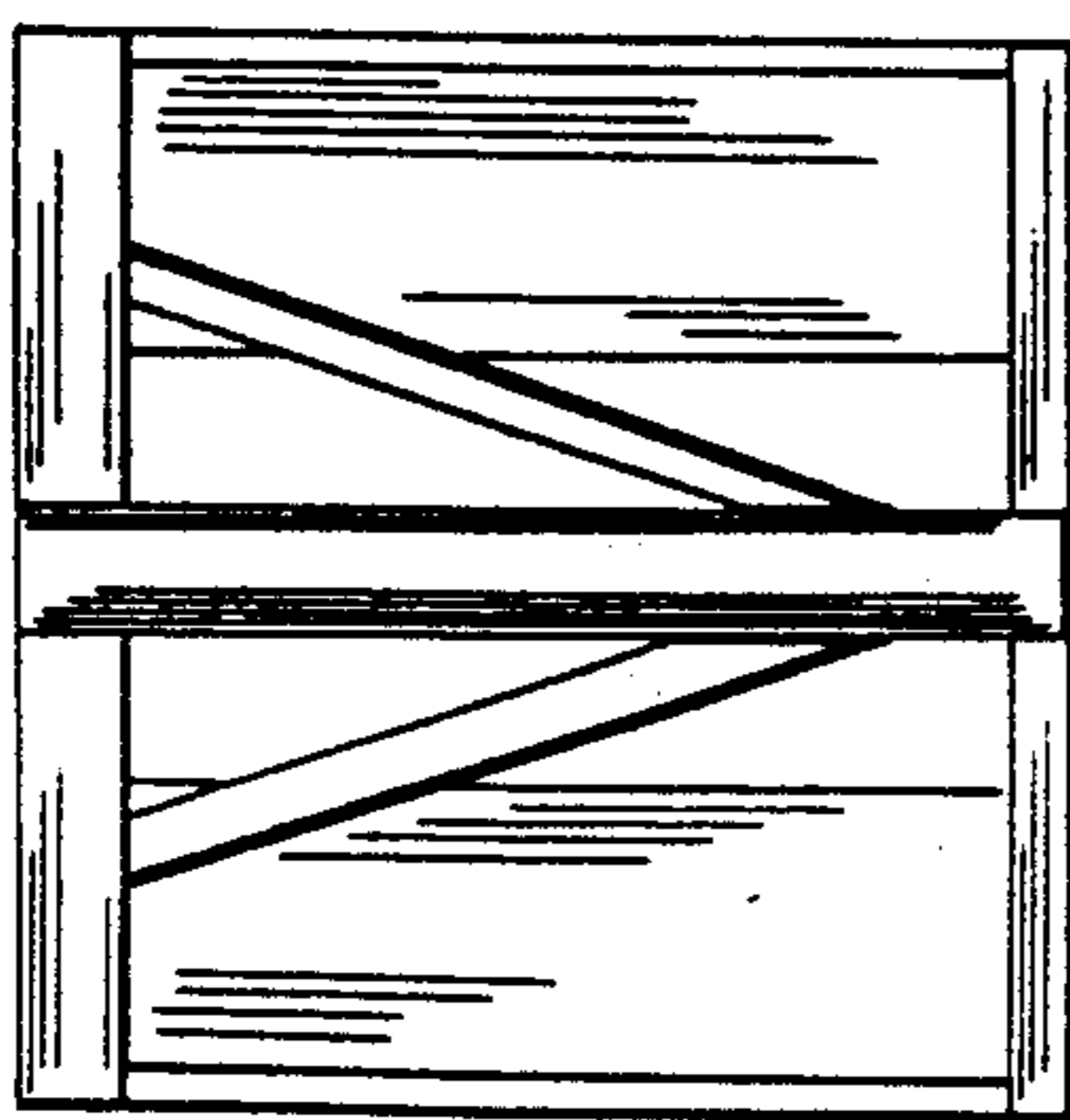


FIG - 3

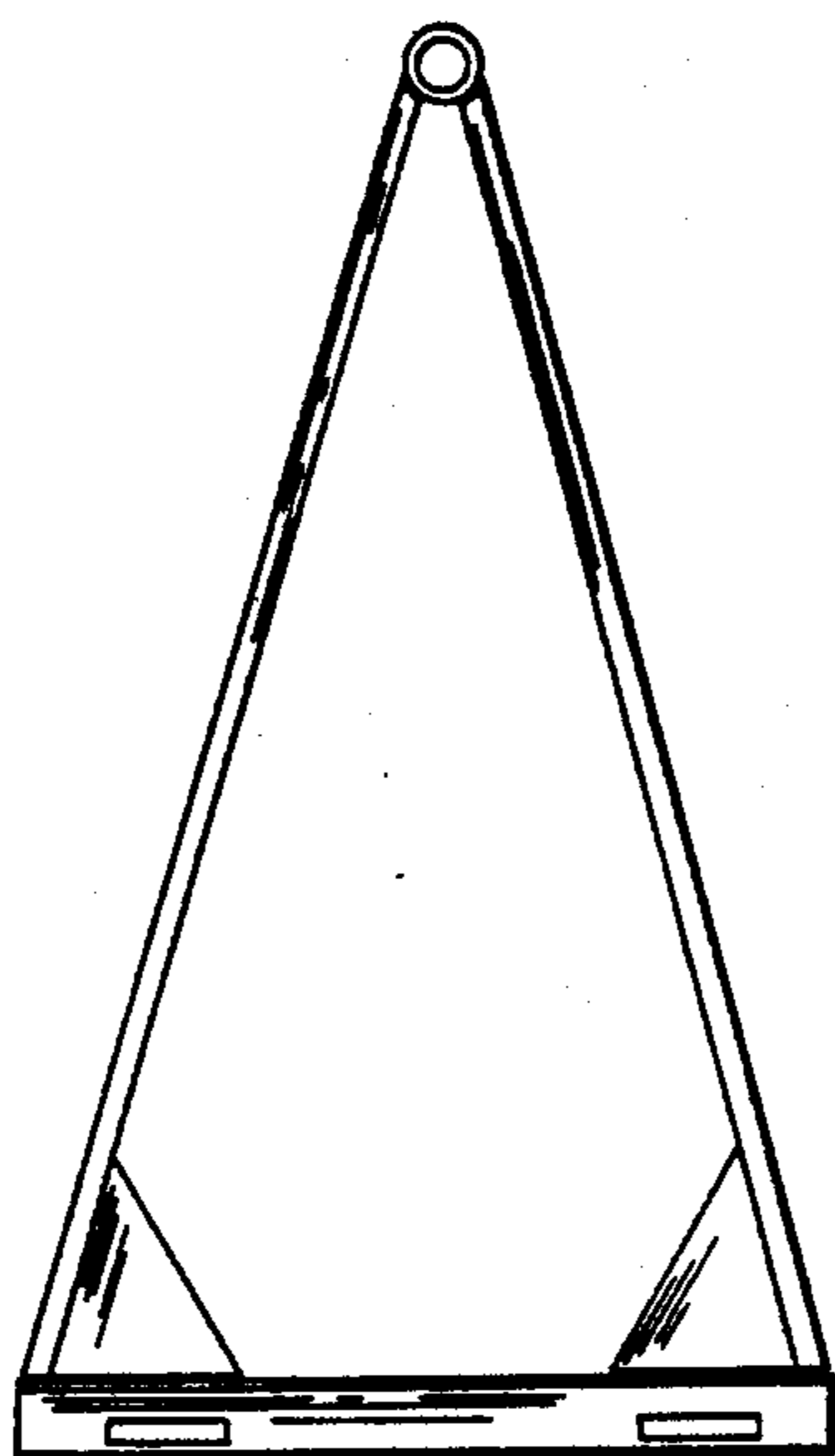


FIG - 4

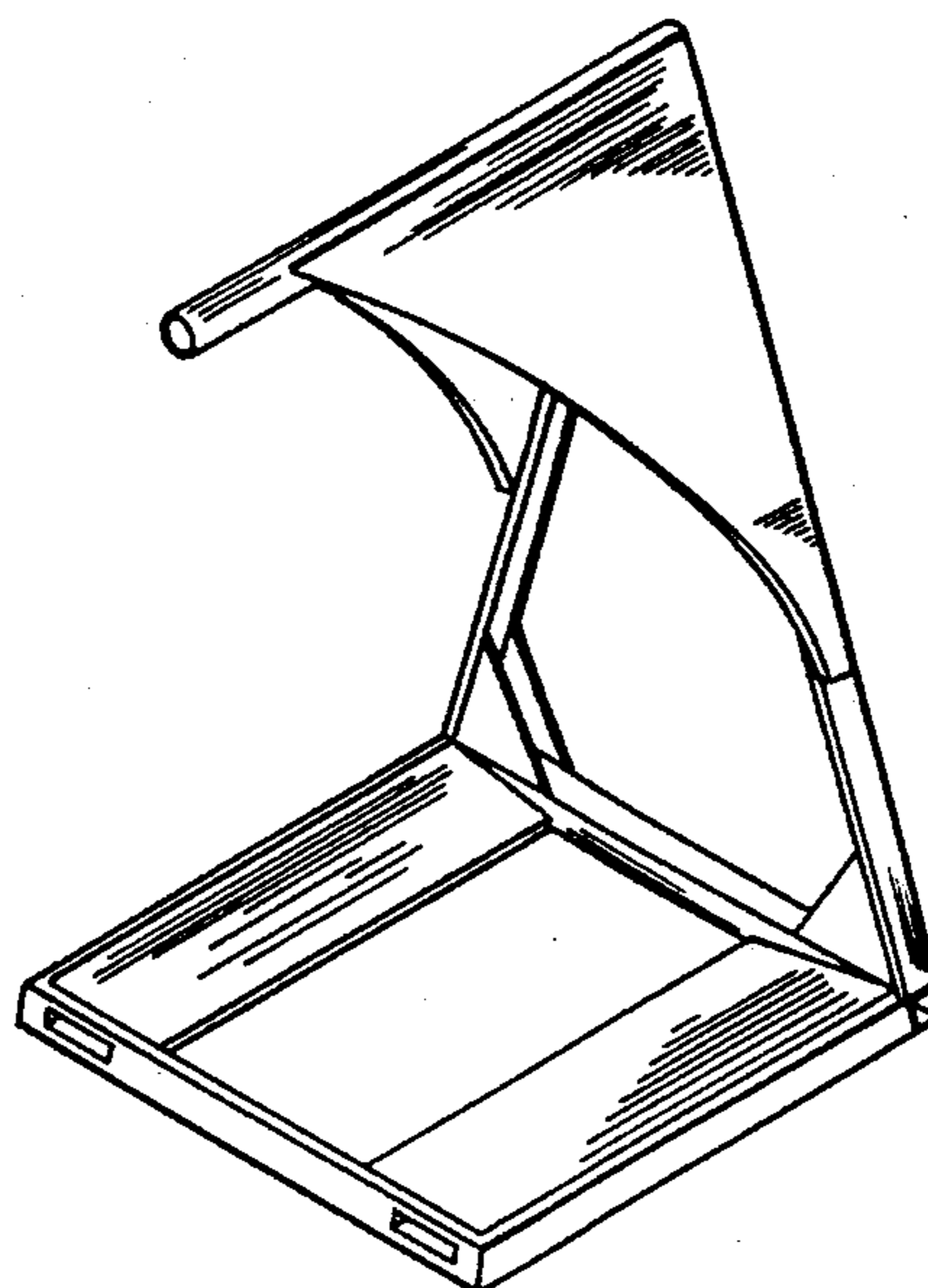


FIG - 5