

[54] READER AID FOR WHIRLPOOL

[56] References Cited

U.S. PATENT DOCUMENTS

D. 181,726 12/1957 Greeson D6/310
4,691,885 9/1987 Lawrance 248/460 X

[76] Inventors: **Kenneth Di Cesare; Sara Di Cesare,**
both of 2904 Russell Rd., Alexandria,
Va. 22305

Primary Examiner—Bernard Ansher
Assistant Examiner—Terry A. Pfeffer
Attorney, Agent, or Firm—Jerry T. Kearns

[**] Term: 14 Years

[57] CLAIM

The ornamental design for a reader aid for whirlpool, as shown and described.

[21] Appl. No.: 85,610

DESCRIPTION

[22] Filed: Aug. 14, 1987

FIG. 1 is a front elevational view of a reader aid for whirlpool showing our new design;

[52] U.S. Cl. D6/300; D6/406;
D6/419

FIG. 2 is a rear elevational view thereof;

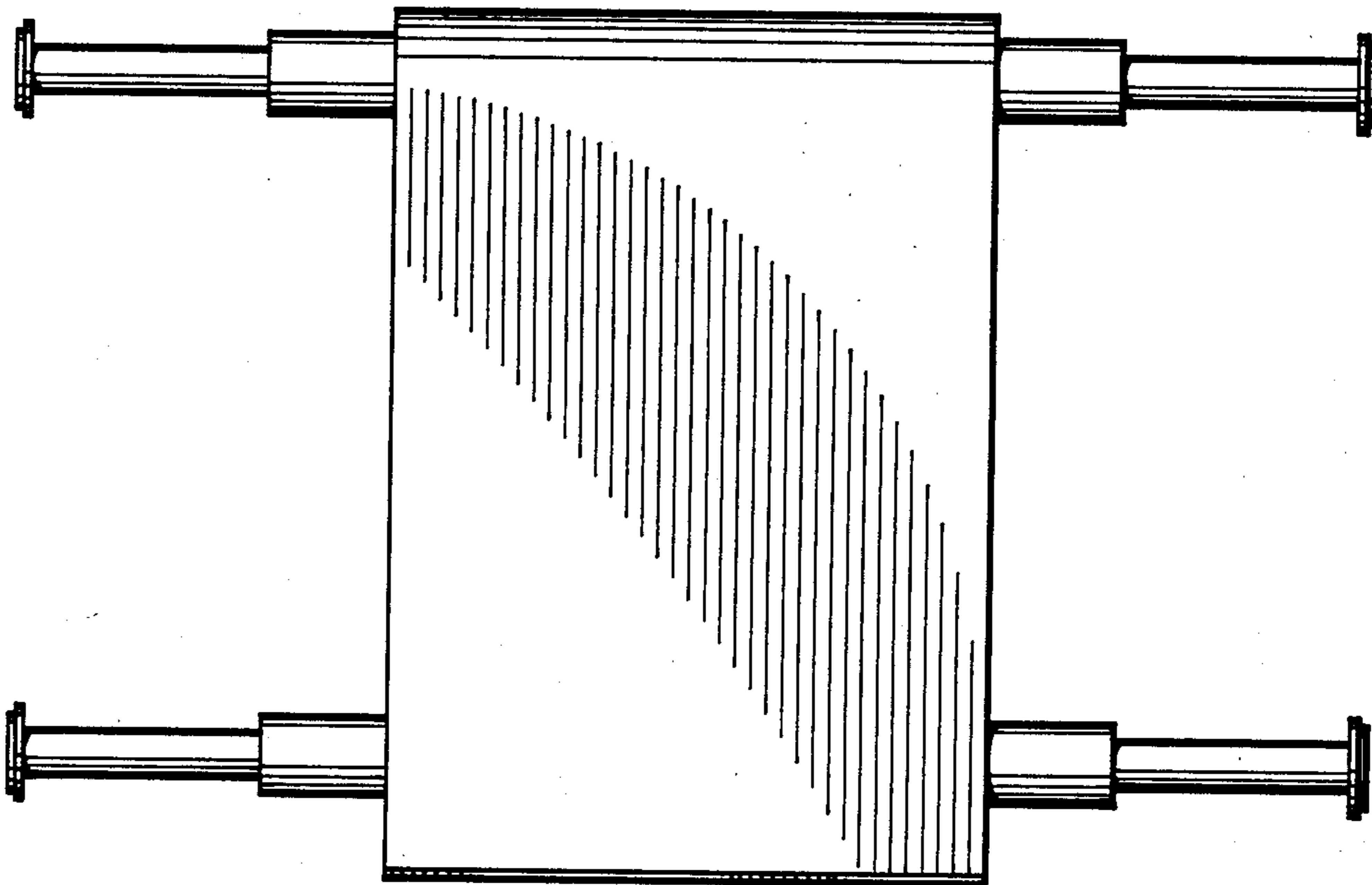
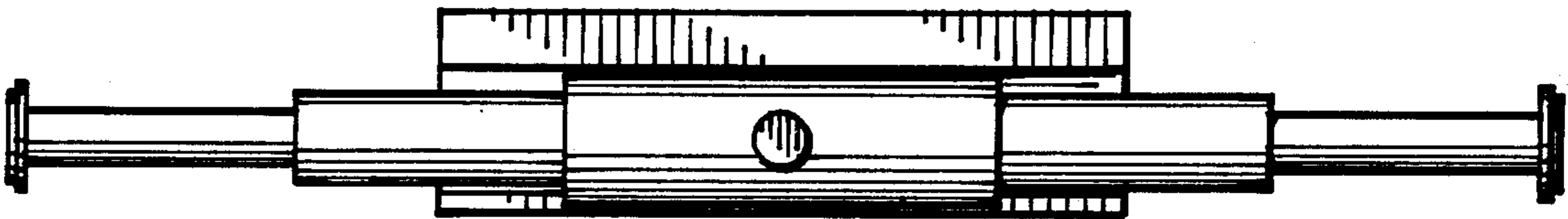
[58] Field of Search D6/300, 419, 406;
248/460, 448, 441.1

FIG. 3 is a left side elevational view thereof;

FIG. 4 is a right side elevational view thereof;

FIG. 5 is a top plan view thereof; and,

FIG. 6 is a bottom plan view thereof.



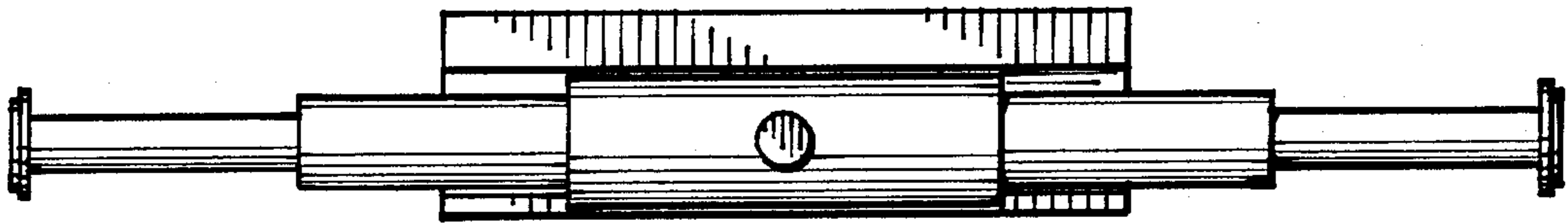


Fig. 1

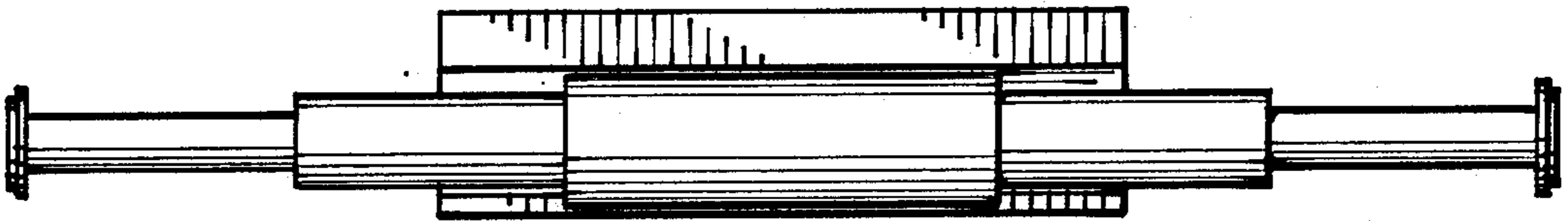


Fig. 2

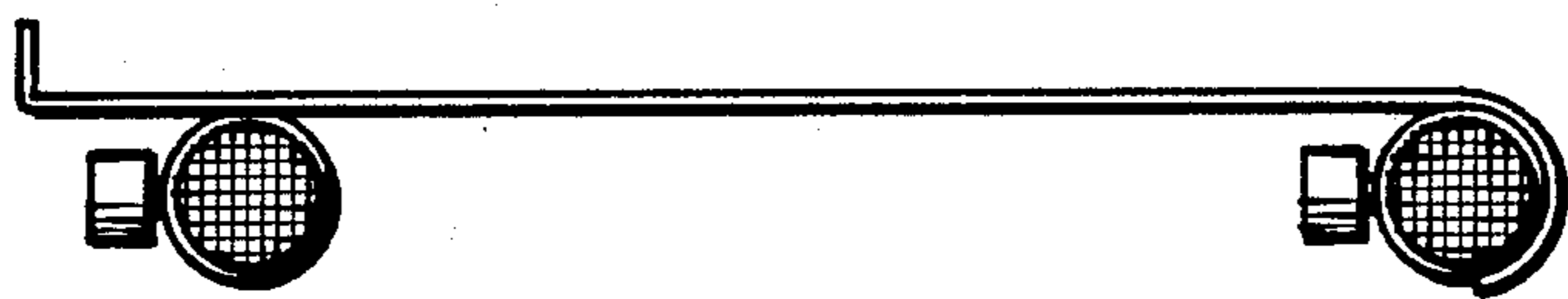


Fig. 3

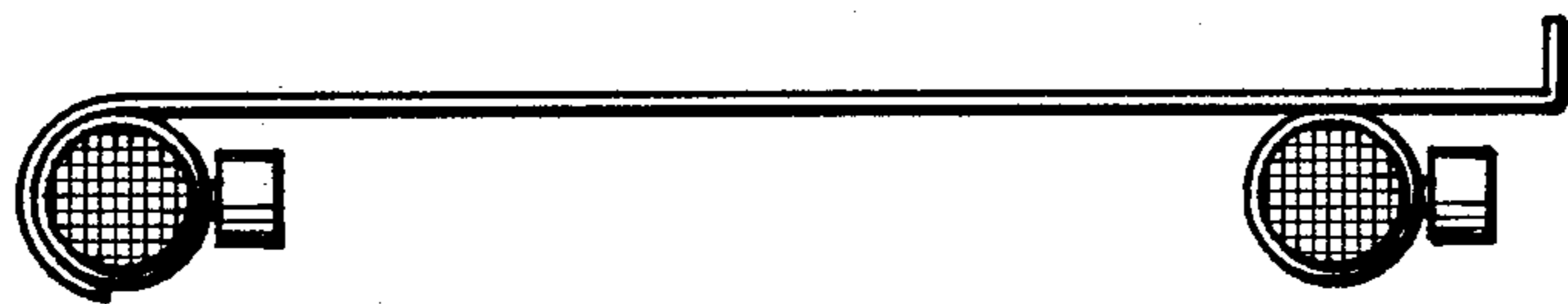


Fig. 4

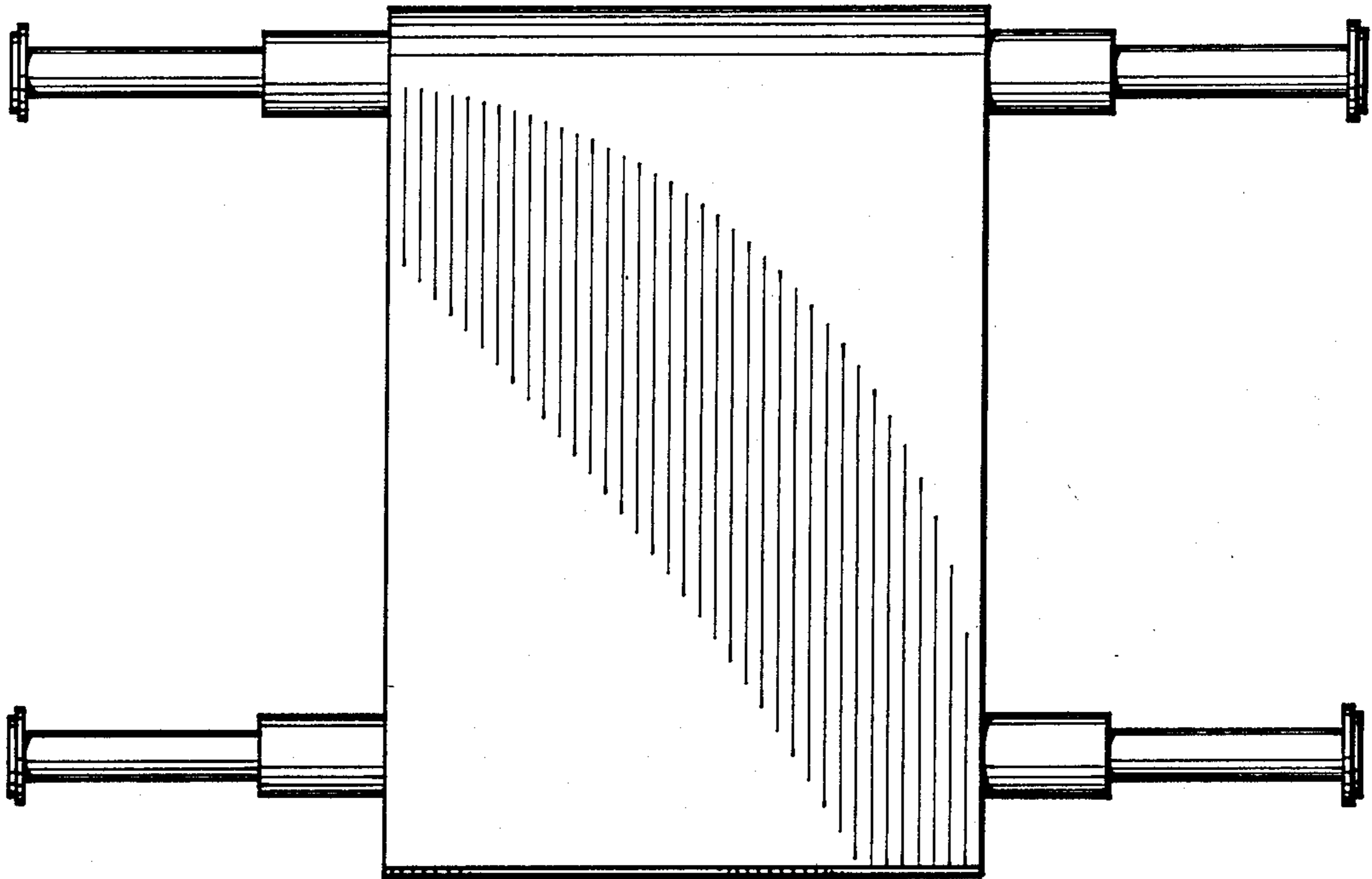


Fig. 5

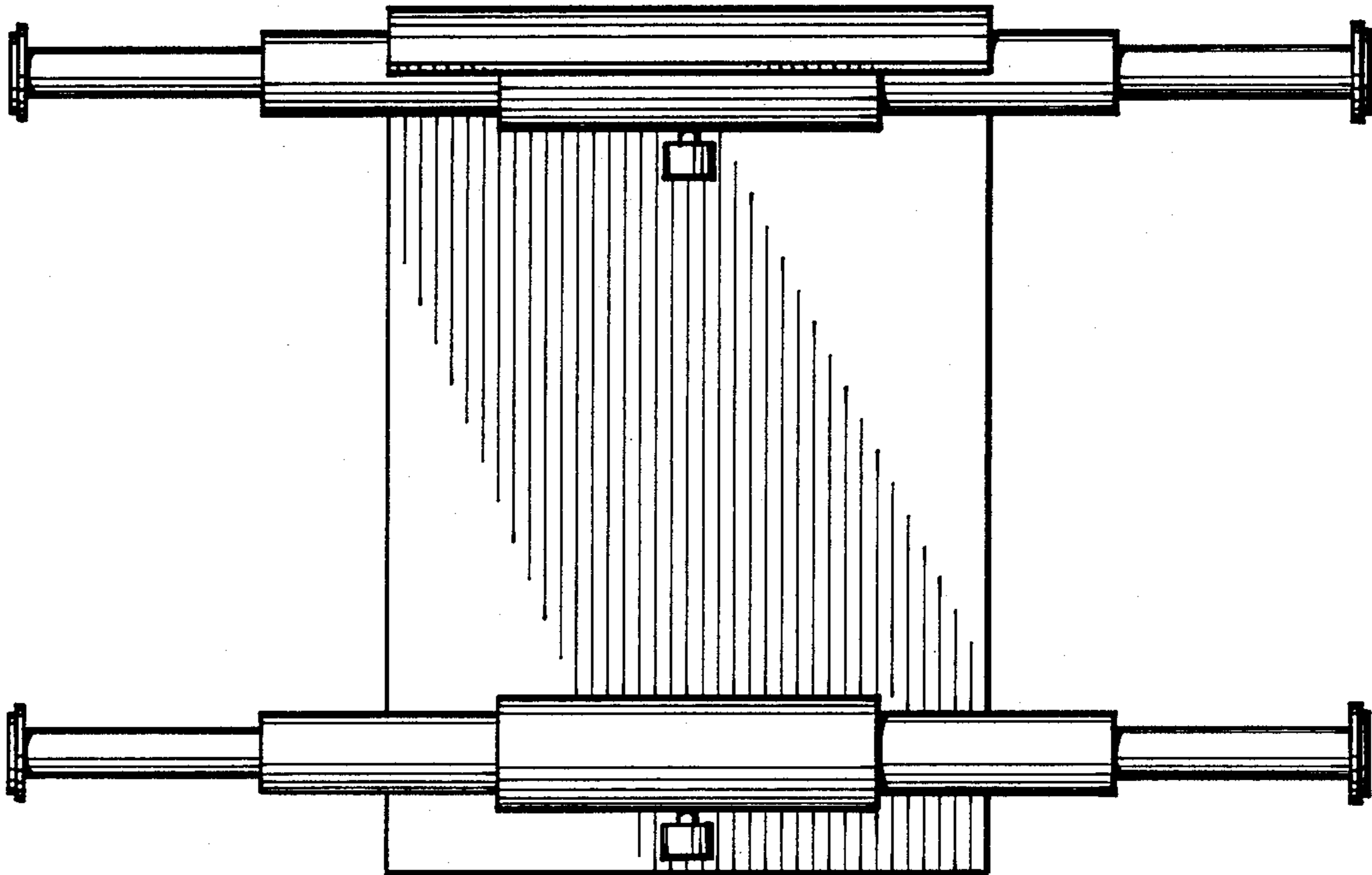


Fig. 6